

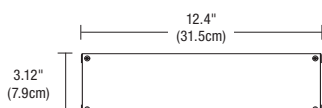


PSB-96W-010-24VDC: 96 WATT 24 VOLT DC POWER SUPPLY

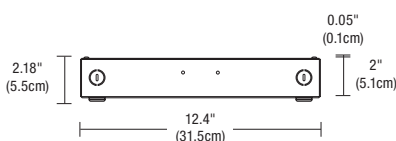
REV 01.25.18



PSB-96W-010-24VDC



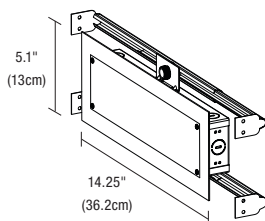
Top View



Side View



PSB-96W-010-24VDC-IW



PSB-96W-010-24VDC-IW

Description:

Accepts input voltage in a range of 120 - 277VAC and outputs 24VDC power up to 96 watts. Can be used as a dimmable or non-dim Power Supply. The low voltage output dims down to 7% when two additional wires are connected to a 0-10V dimmer. The enclosure provides a space inside for electrical connections. In-Wall Power Supply Kit includes power supply, box cover and stud hangers for installing Junction Box in wall. Power Supply features short circuit and overload and over temperature protection. Indoor applications only.

Applications: Indoor

To avoid overheating the power supply, install it in a ventilated remote location where air flows. Maintain proper spacing among power supplies when multiple power supplies are installed in the same remote location.

Mounting:

Surface mounted with conduit access

Power Input:

120-277 volts AC, 50/60Hz

Power Output:

Class 2; 24 volts DC 4A, 96 watts maximum

Efficiency:

85%

Dimensions:

PSB-96W-010-24VDC: 12.4" x 3.12" x 2.18"

PSB-96W-010-24VDC-IW: 14.25" x 5.1" x 2.1"

Ambient Operating Temperature:

-25C to 40C

Dimmer Type:

Lutron: Radio Ra2 (with GRX-TVI), Grafik Eye Qs (with GRX-TVI), Diva (with PP20); Nova T
 Philips: Sunrise SR1200ZTUNV
 Leviton: IP710-DL

Dimming Curve:

Linear, Logarithmic 100% - 7% (HydraDrive)

Product	Wattage	Dimming	Voltage	Options
PSB	96W	010	24VDC	Standard (Leave Blank)
<small>PSB Power Supply with Enclosure Box</small>	<small>96W 96 Watt</small>	<small>010 0-10 Volt Dimming</small>	<small>24VDC 24 Volt DC</small>	<small>IW In-Wall Kit (14.25" x 5.1" x 2.1")</small>

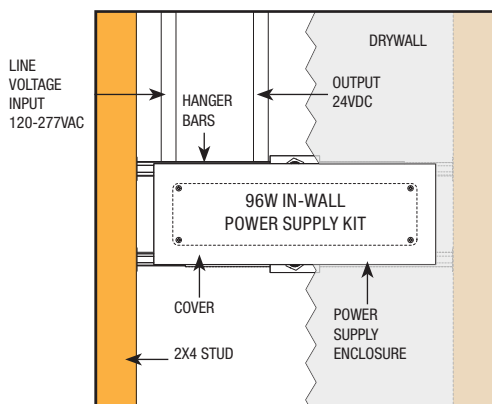
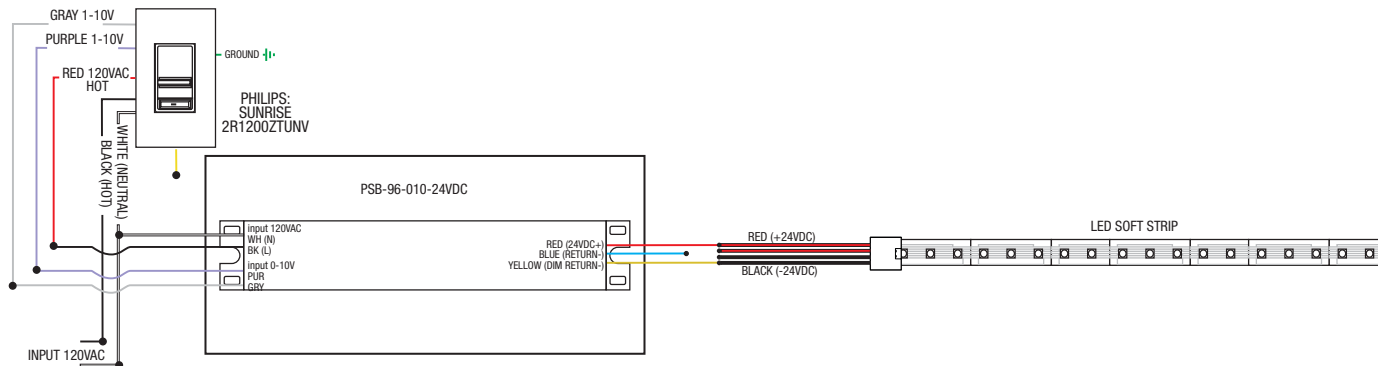
PROJECT		FIXTURE TYPE		DATE	
---------	--	--------------	--	------	--

PSB-96W-010-24VDC: 96 WATT 24 VOLT DC POWER SUPPLY

REV 01.25.18

DESIGNED BY GREGORY KAY | ASSEMBLED IN AMERICA

Application: 0-10V dimming for LED Soft Strip



PSB-96W-010-24VDC-IW

PROJECT		FIXTURE TYPE		DATE	
---------	--	--------------	--	------	--