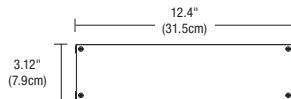




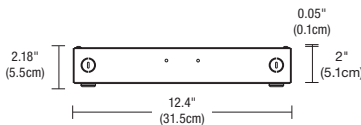
PSB-60W-010-24VDC: 60 WATT 24 VOLT DC POWER SUPPLY

REV 01.25.18

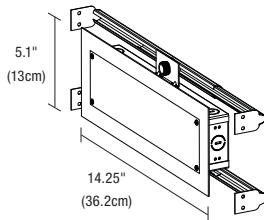
DESIGNED BY GREGORY KAY | ASSEMBLED IN AMERICA



Top View



Side View



PSB-60W-010-24VDC-IW

Description:

Accepts input voltage in a range of 120 - 277VAC and outputs 24VDC power up to 60 watts. Can be used as a dimmable or non-dim Power Supply. The low voltage output dims down to 7% when two additional wires are connected to a 0-10V dimmer. The enclosure provides a space inside for electrical connections. In-Wall Power Supply Kit includes power supply, box cover and stud hangers for installing Junction Box in wall. Power Supply features short circuit and overload and over temperature protection. Indoor applications only.

Applications: Indoor*

*To avoid overheating the power supply, install it in a ventilated remote location where air flows. Maintain proper spacing among power supplies when multiple power supplies are installed in the same remote location.

Mounting:

Surface mounted with conduit access

Power Input:

120 volts AC, 50/60Hz

Power Output:

Class 2; 24 volts DC 2.5A, 60 watts maximum

Efficiency:

85%

Dimensions:

PSB-60W-010-24VDC: 12.4" x 3.12" x 2.18"

PSB-60W-010-24VDC-IW: 14.25" x 5.1" x 2.1"

Ambient Operating Temperature:

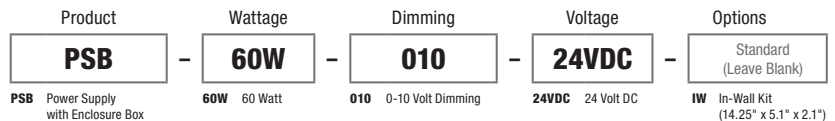
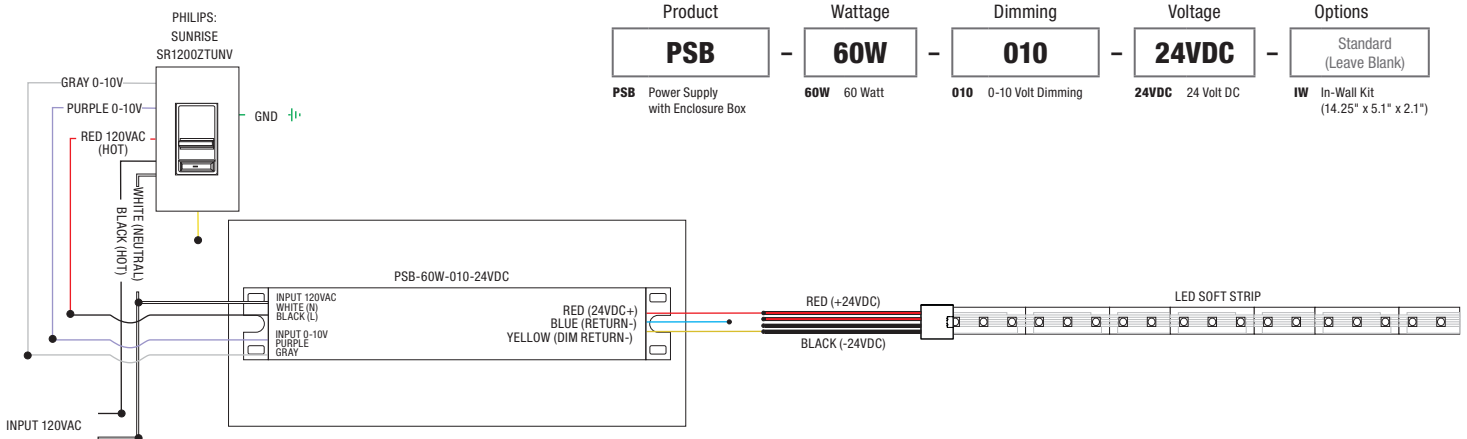
-25C to 40C

Dimmer Type:

Lutron: Radio Ra2 (with GRX-TVI), Grafik Eye Qs (with GRX-TVI), Diva (with PP20); Nova T
Philips: Sunrise SR1200ZTUNV
Leviton: IP710-DL

Dimming Curve:

Linear, Logarithmic 100% - 7% (HydraDrive)



PROJECT		FIXTURE TYPE		DATE	
---------	--	--------------	--	------	--