

Description:

The Hi-lume® Premier 0.1% Constant Voltage Driver (L3D0) is a high-performance LED driver capable of controlling up to 96 W of 24 V- constant voltage loads. This driver provides smooth and continuous dimming down to 0.1% low-end. It is ideal for use with strip lighting in applications such as coves, under or over cabinet lighting and pathway lighting. The driver is UL® Listed with an integrated wiring compartment and can be mounted up to 150 ft (45 m) away from the load.

Applications:

Indoor*
 *To avoid overheating the power supply, install it in a ventilated remote location where air flows. Maintain proper spacing among power supplies when multiple power supplies are installed in the same remote location.

Power Input:

120-277 volts AC, 60Hz

Power Output:

Class 2; 24 volts DC 1.67A

Dimensions:

10" x 5.5" x 2"

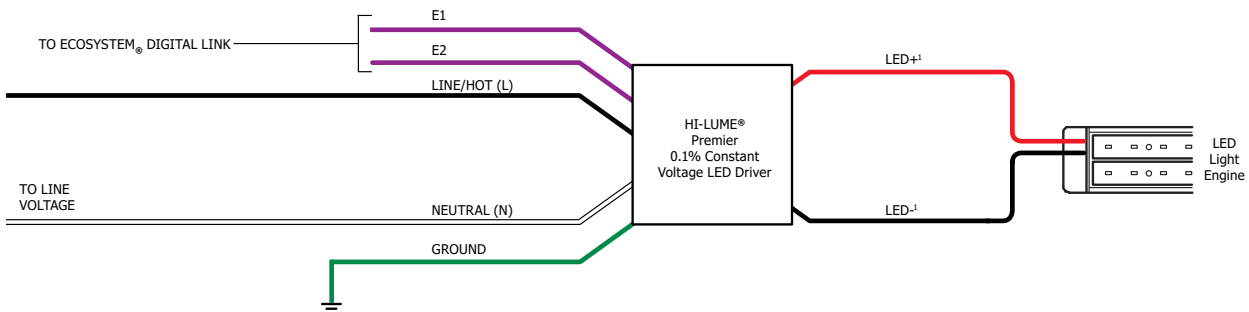
Dimmer Type:

Electronic Low Voltage Dimmer Lutron: Diva #DVELV-300P;
 Skylark #SELV-300P; Maestro #MAELV-600

LUTRON HI-LUME® POWER SUPPLY ORDERING CODE

L3D0-96W24V-U

L3D0-96W24V-U Lutron Hi-lume® Power Supply



COMPANY		FIXTURE TYPE		DATE	
PROJECT		APPROVED BY			

Product specification subject to change without notification. REV.03.31.17

