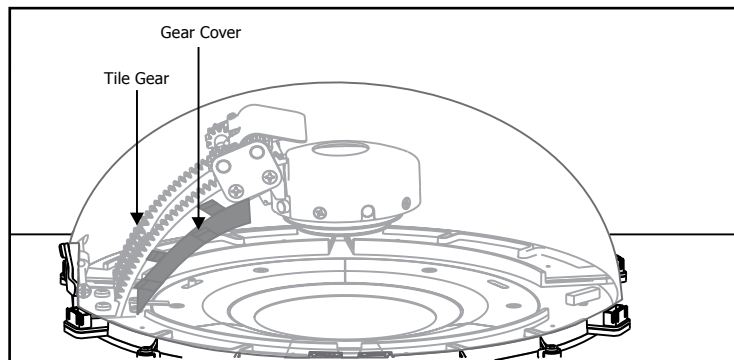


Description:

Die formed aluminum cover finished to match the inner dome to eliminate the silhouette of the Tilt Gear.

GEAR COVER INSTALLATION DIAGRAM



ORDERING CODE:

Product	Finish
AGG - H	
AGG Aurora Gear Cover	H Haze (Aurora) W White (Aurora RGB)

COMPANY		FIXTURE TYPE		DATE	
PROJECT		APPROVED BY			

Product specification subject to change without notification. REV. 07.13.16