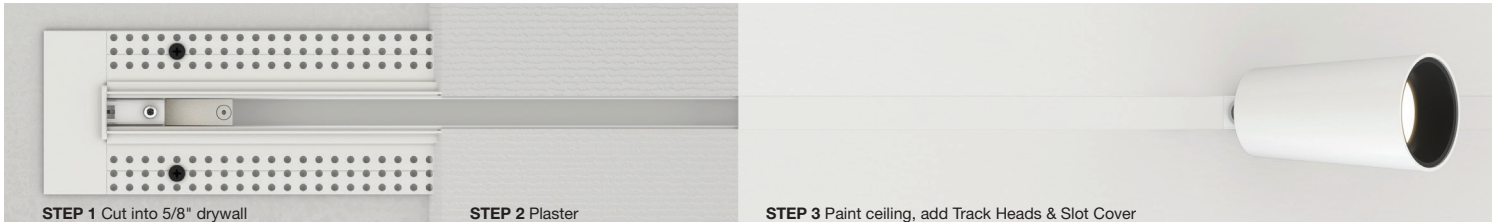


# TRUTRACK® MAGNETIC

## 24VDC REMOTE POWER, RECESSED TWO-CIRCUIT TRACK SYSTEM

DESIGNED BY GREGORY KAY | US PATENT ISSUED | ASSEMBLED IN AMERICA

REV 11.20.24



STEP 1 Cut into 5/8" drywall

STEP 2 Plaster

STEP 3 Paint ceiling, add Track Heads & Slot Cover

### DESCRIPTION

This innovative, two-circuit TruTrack® system features magnetic track head connectors. TruTrack® is a plaster-in recessed 24VDC two circuit track system allowing for two groups of fixtures to switch and dim independently. Only as thick as the 5/8" drywall, the TruTrack® patented design is precision engineered to blend seamlessly within drywall surfaces, eliminating the need for joist modification, and provides more flexibility to make turns along the ceiling. For a clean architectural aesthetic, a paintable slot cover is supplied with TruTrack® leaving only the track head visible once installed.

### FEATURES

- Two-circuit system, with two power supplies up to 200 watts (400 watts total), allow for independent switching and dimming
- Magnetic Track Heads easily attach to the track and adjust, tilt, and rotate using a single hand with easy installation while on a ladder.
- Designed for use with 24VDC Universal Remote Power Supplies up to 40' away
- Magnetic Track Heads are available in five color temperatures including Warm Dim (30D)
- Track Head Lumen Output up to 1256 Lumens with multiple fixed and adjustable beam spread options
- Designer-grade Color Rendering 95CRI
- Power Feeds offered in End, Center, L, T and X shapes, up to two 96 Watt power supplies before re-feeding, and four 96 watt power supplies with center feed.
- Recessed TruTrack® Channel is available in 2', 4', 6' and 8' lengths, with the ability to be cut in the field
- Opaque Plastic Slot Cover is included with TruTrack® Channel to hide Recessed Track Slot and may be painted to match the ceiling

### FINISH & MATERIAL

- Slot Cover: Black, Warm White RAL 9010, Pure White Powder RAL 9016 Powder Coat
- Extruded Aluminum Channel, conductors are a pair of #10 Gauge Copper Busbar

### POWER SUPPLY AND DIMMING (SOLD SEPARATELY)

24VDC, Remote Power

- [Uni Trim Power Supply](#) Universal Dimming (TRIAC, ELV, 0-10V)
- ELV & TRIAC [Smart Dimmer & Switch](#)

### APPLICATIONS

Indoor use only. Ideal applications in residential, commercial, retail and hospitality environments.

### WARRANTY / LABELS

5 year pro-rated warranty. Assembled in America

ETL (Conforms to UL 1598 and CSA 22.2 #250.0), Class 2 Under 100 Watts, 200 Watts UL2108



Magnetic Track Heads Easily Click Into Place

### TruTrack® 5/8" Drywall Recessed Lighting:

An original, ground-breaking design from PureEdge Lighting – backed by over 30 years of precision manufacturing.

PROJECT	FIXTURE TYPE	DATE
---------	--------------	------

**TRUTRACK® MAGNETIC**  
24VDC REMOTE POWER, RECESSED TWO-CIRCUIT TRACK SYSTEM

REV 11.20.24



**EASY KIT** Straight with power, order fixture and power supplies separately

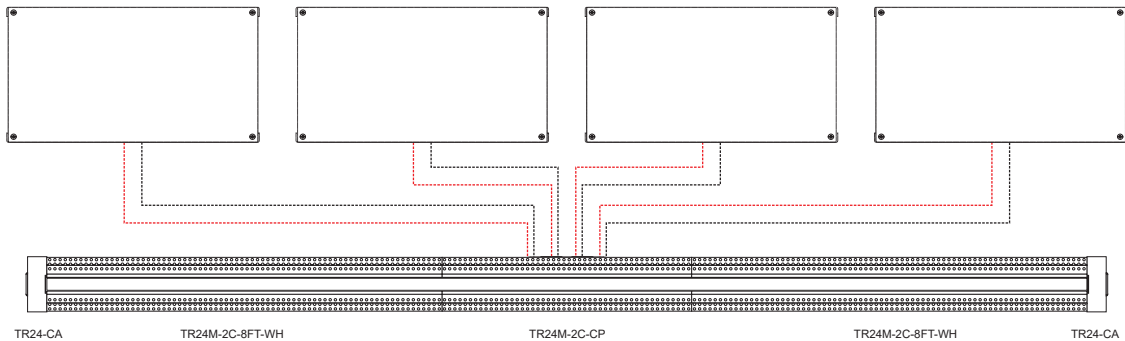
Kit includes end feed, track, track cover and end caps.



24VDC REMOTE POWER SUPPLIES  
ORDER SEPARATELY  
UP TO TWO 200 WATTS EACH  
(CLASS 1)  
UP TO TWO 96 WATTS EACH  
(CLASS 2)

System	Circuit	Power Feed	Length in Feet	Cover Color
<b>TR24M</b>	<b>2C</b>	<b>EP</b>	<b>30FT</b>	<b>WH</b>
TR24M TruTrack Magnetic Recessed 24VDC	2C Two Circuit	EP End Power Feed	4-30FT 4-30' (2' increments)	BK Black PW Pure White Powder Coat RAL 9016 WH Warm White Powder Coat RAL 9010

24VDC REMOTE POWER SUPPLIES  
ORDER SEPARATELY  
UP TO FOUR 200 WATTS EACH (CLASS 1)  
UP TO TWO 96 WATTS EACH, CLASS 2



System	Circuit	Power Feed	Length in Feet	Cover Color
<b>TR24M</b>	<b>2C</b>	<b>CP</b>	<b>60FT</b>	<b>WH</b>
TR24M TruTrack Magnetic Recessed 24VDC	2C Two Circuit	CP Center Power Feed	4-60FT 4-60' (4' increments)	BK Black PW Pure White Powder Coat RAL 9016 WH Warm White Powder Coat RAL 9010

PROJECT		FIXTURE TYPE		DATE	
---------	--	--------------	--	------	--

# TRUTRACK® MAGNETIC DIY

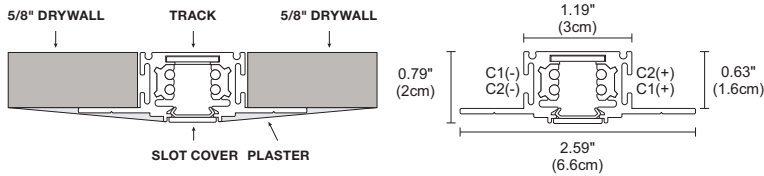
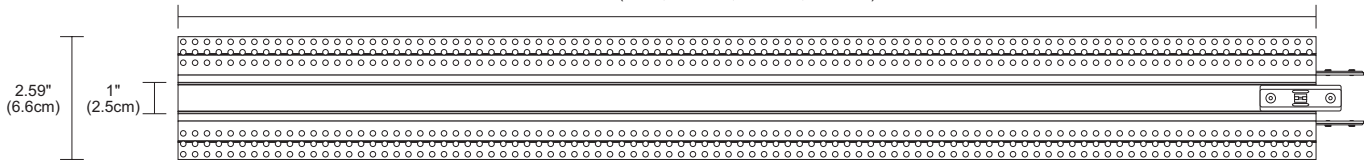
## 24VDC REMOTE POWER, RECESSED TWO-CIRCUIT TRACK SYSTEM

### COMPONENTS



**TWO CIRCUIT RECESSED 24VDC TRACK**

2', 4', 6', 8'  
(61cm, 121.9cm, 182.9cm, 243.8cm)



### TWO CIRCUIT TRACK COMPONENTS

Extruded Aluminum Channel with 10 gauge buss bar to help eliminate voltage drop. For use with 24VDC Remote Power Supply, sold separately. Includes paintable, opaque slot covers to conceal conductive connectors and track slots blending seamlessly into the ceiling.

System	Circuit	Length in Feet	Cover Color
<b>TR24M</b>	<b>2C</b>	<b>8FT</b>	<b>WH</b>
<b>TR24M</b> TruTrack Magnetic Recessed 24VDC	<b>2C</b> Two Circuit	<b>2FT</b> 2' <b>4FT</b> 4' <b>6FT</b> 6' <b>8FT</b> 8'	<b>BK</b> Black <b>PW</b> Pure White Powder Coat RAL 9016 <b>WH</b> Warm White Powder Coat RAL 9010

### ADDITIONAL OPAQUE SLOT COVER

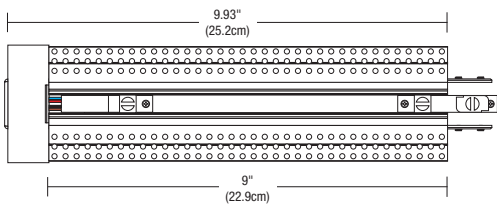
Additional two paintable 1/2" Opaque Slot Covers are included with each Recessed Track.



System	Type	Length in Feet	Cover Color
<b>T24</b>	<b>SCO</b>	<b>8FT</b>	<b>WH</b>
<b>T24</b> TruTrack 24VDC	<b>SCO</b> Opaque Cover for Track Slot	<b>8FT</b> 8'	<b>BK</b> Black <b>PW</b> Pure White Powder Coat RAL 9016 <b>WH</b> Warm White Powder Coat RAL 9010

### END POWER FEED WITH JUNCTION BOX FOR 5/8"- 1-1/4" DRYWALL

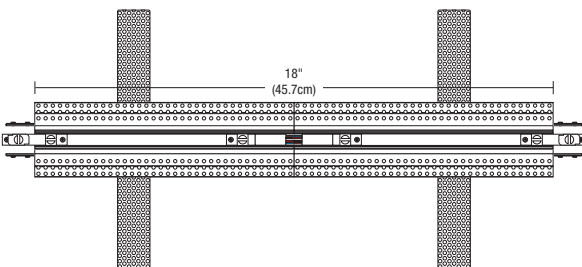
End Power Feed with junction box powers the track with up to two 96 watt power supplies. May be used on cement ceiling with only 5/8" dry wall (junction box not used). 9" starter section and one T24M-2C-P power feed connector included.



System	Circuit	Type	Cover Color
<b>TR24M</b>	<b>2C</b>	<b>EP</b>	<b>WH</b>
<b>TR24M</b> TruTrack Magnetic Recessed 24VDC	<b>2C</b> Two Circuit	<b>EP</b> End Power Feed	<b>BK</b> Black <b>PW</b> Pure White Powder Coat RAL 9016 <b>WH</b> Warm White Powder Coat RAL 9010

### CENTER POWER FEED WITH JUNCTION BOX FOR 5/8"- 1-1/4" DRYWALL

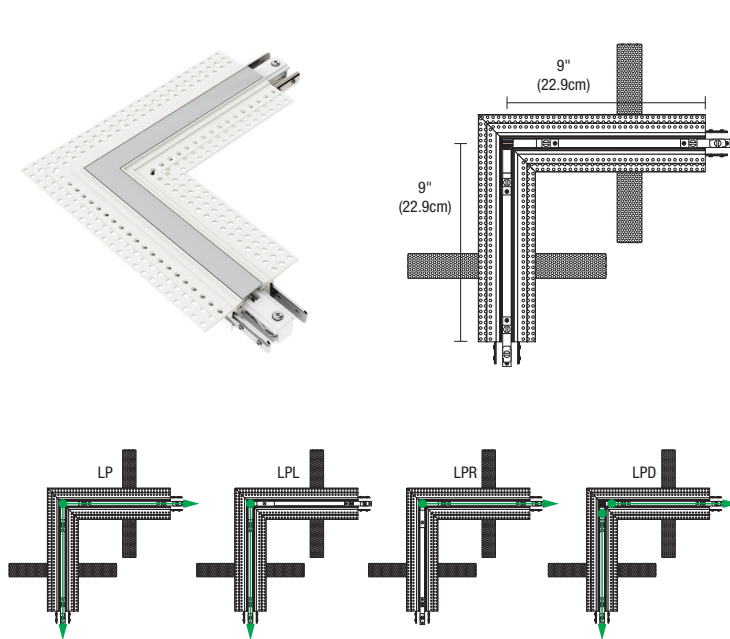
Center Power Feed joins two sections of track in both directions, up to four 96 watt power supplies. 18" starter section and two T24M-2C-P power feed connectors included.



System	Circuit	Type	Cover Color
<b>TR24M</b>	<b>2C</b>	<b>CP</b>	<b>WH</b>
<b>TR24M</b> TruTrack Magnetic Recessed 24VDC	<b>2C</b> Two Circuit	<b>CP</b> Center Dual Power Feed	<b>BK</b> Black <b>PW</b> Pure White Powder Coat RAL 9016 <b>WH</b> Warm White Powder Coat RAL 9010

PROJECT		FIXTURE TYPE		DATE	
---------	--	--------------	--	------	--

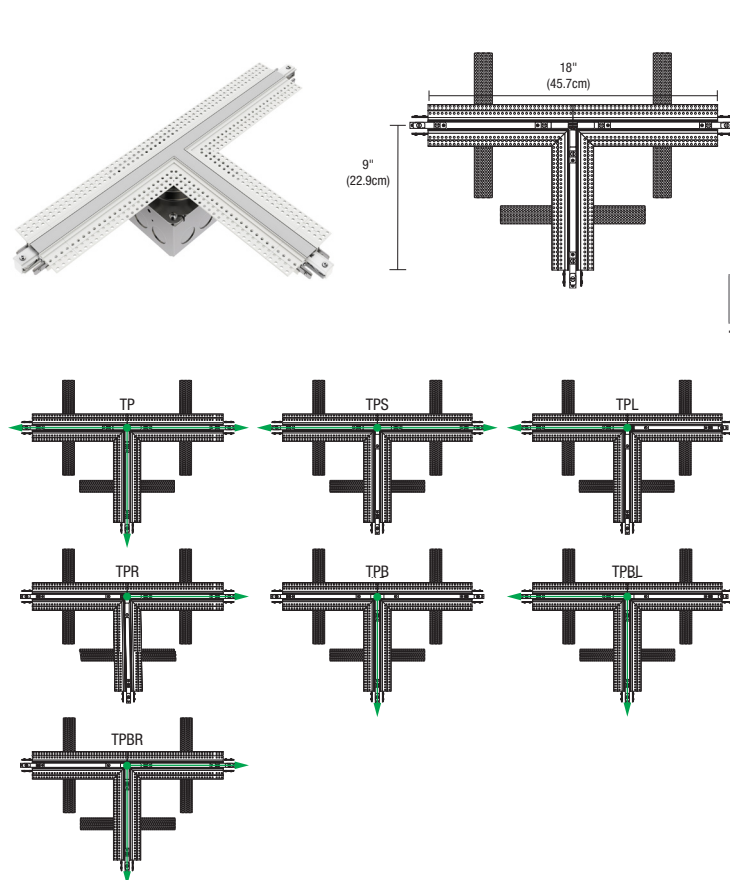
**COMPONENTS**



**L-SHAPED POWER FEED FOR 5/8" DRYWALL WITH JUNCTION BOX & POWER CONNECTORS**

L-Shaped Power Feed joins two sections of track at 90°. To power two channels with dual power supplies in both directions use "LP". Use ordering code "LPL" for feeding the power to the left channel only, use "LPR" for right channel only. Use "LPD" to power two circuits in both directions using up to four power supplies. 9" starter section and two T24M-2C-P power feed connectors included. Up to 800 watts (4x200W).

System	Circuit	Type	Cover Color
<b>TR24M</b>	<b>2C</b>	<b>LPD</b>	<b>WH</b>
<b>TR24M</b> TruTrack Magnetic Recessed 24VDC	<b>2C</b> Two Circuit	<b>LP</b> L-Shaped Power Feed, both Directions, up to 2 power supplies, 200 watts each <b>LPL</b> L-Shaped Power Feed, Left Power Only, 2x 200 Watts <b>LPR</b> L-shaped Power Feed, Right Power Only, 2x 200 Watts <b>LPD</b> L-Shaped Dual Power Feed, up to 4x 200 Watts	<b>BK</b> Black <b>PW</b> Pure White Powder Coat RAL 9016 <b>WH</b> Warm White Powder Coat RAL 9010



**T-SHAPED POWER FEED WITH JUNCTION BOX FOR 5/8"- 1-1/4" DRYWALL & POWER CONNECTORS**

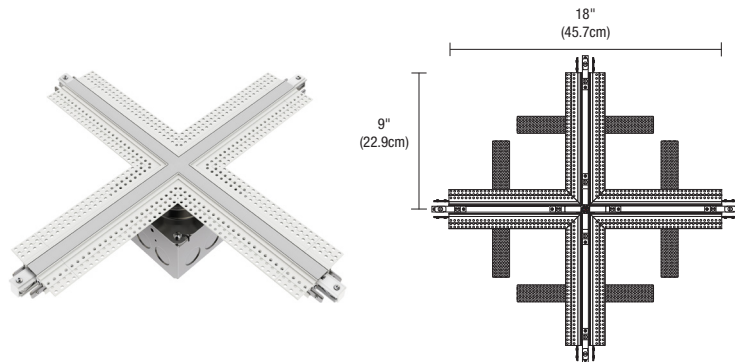
T-Shaped Power Feed joins three sections track 90° apart. For powering three channels use "TP" which mounts to a 4" junction box for feeding the power to three section, for (Left to right), use "TPS" power two sections. For base to left use "TPBL", for base to right "TPBR", for base only "TPB", left only "TPL" or right only "TPR". Includes 9" starter sections and three T24M-2C-P power feed connectors. Up to 1400 watts (8x175W).

System	Circuit	Type	Cover Color
<b>TR24M</b>	<b>2C</b>	<b>TP</b>	<b>WH</b>
<b>TR24M</b> TruTrack Magnetic Recessed 24VDC	<b>2C</b> Two Circuit	<b>TP</b> T-Shaped Power Connector, Conductive on 3 Sections up to 1400 watts (8x175W) power supplies. 9" long track sections. <b>TPS</b> T-Shaped Connector, Conductive through Left & Right Sections <b>TPL</b> T-Shaped Power Connector, Conductive on Left Sections <b>TPR</b> T-Shaped Power Connector, Conductive on Right Sections <b>TPB</b> T-Shaped Power Connector, Conductive on Base Only <b>TPBL</b> T-Shaped Power Connector, Conductive on Base & Left Sections <b>TPBR</b> T-Shaped Power Connector, Conductive on Base & Right Sections	<b>BK</b> Black <b>PW</b> Pure White Powder Coat RAL 9016 <b>WH</b> Warm White Powder Coat RAL 9010

PROJECT	FIXTURE TYPE	DATE
---------	--------------	------

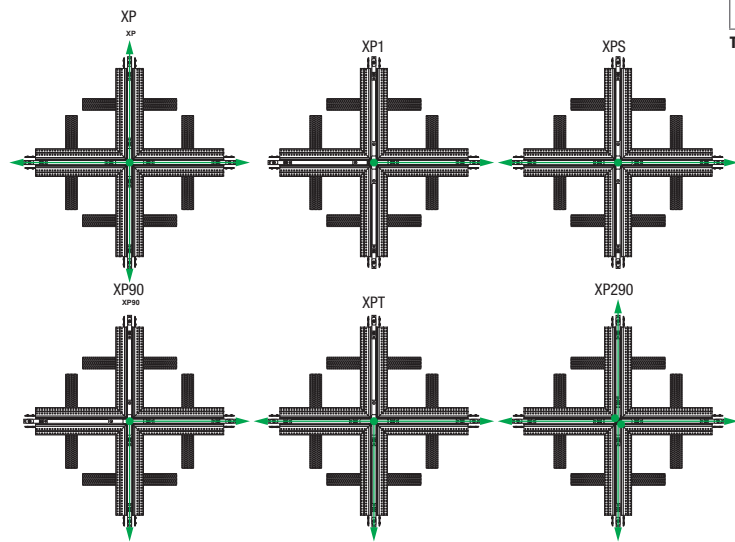


**COMPONENTS**



**X-SHAPED POWER FEED WITH JUNCTION BOX FOR 5/8" - 1-1/4" DRYWALL & POWER CONNECTORS**

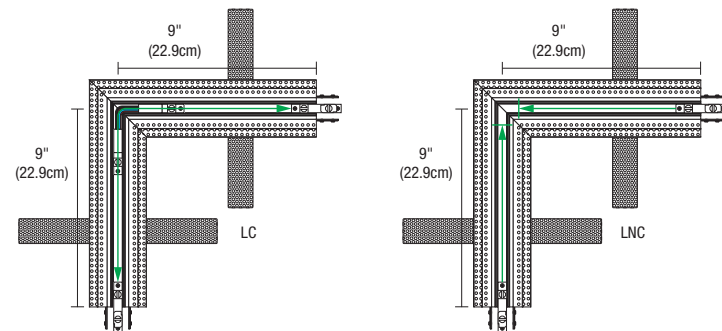
X-Shaped Power Feed joins four sections of track 90° apart. For powering all four channels use "XP" which mounts to a 4" junction box. For feeding the power to one section use "XP1", for straight through two sections "XPS", for two sections with 90° turn "XP90", for a T-Shaped section use "XPT", "XP290" powers four sections with two 90° turns. Mounts to 4" junction box. Includes 9" starter sections and four T24M-2C-P power feed connectors. Up to 800 watts (4x200W).



System	Circuit	Type	Cover Color
<b>TR24M</b>	<b>2C</b>	<b>XP290</b>	<b>WH</b>
<b>TR24M</b> TruTrack Magnetic Recessed 24VDC	<b>2C</b> Two Circuit	<p><b>XP</b> X-Shaped Power Feed Quad Feed up to 8 200 watt power supplies</p> <p><b>XP1</b> X-Shaped Power Connector, Conductive on 1 Section</p> <p><b>XPS</b> X-Shaped Power Connector, Conductive Straight through 2 Sections</p> <p><b>XP90</b> X-Shaped Power Connector, Conductive on 2 Sections, 90° Turn</p> <p><b>XPT</b> X-Shaped Power Connector, Conductive on 3 Sections</p> <p><b>XP290</b> X-Shaped Connector, Conductive on 4 Sections, (2) 90° Turns</p>	<p><b>BK</b> Black</p> <p><b>PW</b> Pure White Powder Coat RAL 9016</p> <p><b>WH</b> Warm White Powder Coat RAL 9010</p>

**L-SHAPED CONNECTOR**

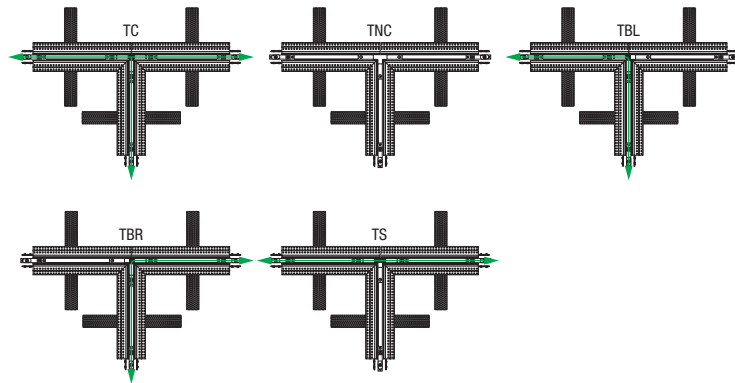
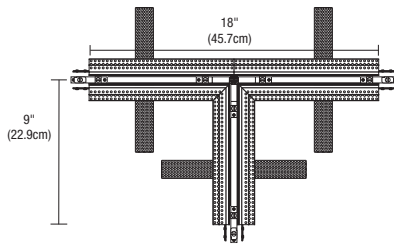
L-Shaped Connector joins two sections of track 90° apart, conducting the power "LC" or isolating the power "LNC". Order Non-Conductive when adding two Power Supplies in a square configuration.



System	Circuit	Type	Color
<b>TR24M</b>	<b>2C</b>	<b>LC</b>	<b>WH</b>
<b>TR24M</b> TruTrack Magnetic Recessed 24VDC	<b>2C</b> Two Circuit	<p><b>LC</b> L-Connector Conductive</p> <p><b>LNC</b> L-Connector Non-Conductive</p>	<p><b>BK</b> Black</p> <p><b>PW</b> Pure White Powder Coat RAL 9016</p> <p><b>WH</b> Warm White Powder Coat RAL 9010</p>

PROJECT		FIXTURE TYPE		DATE	
---------	--	--------------	--	------	--

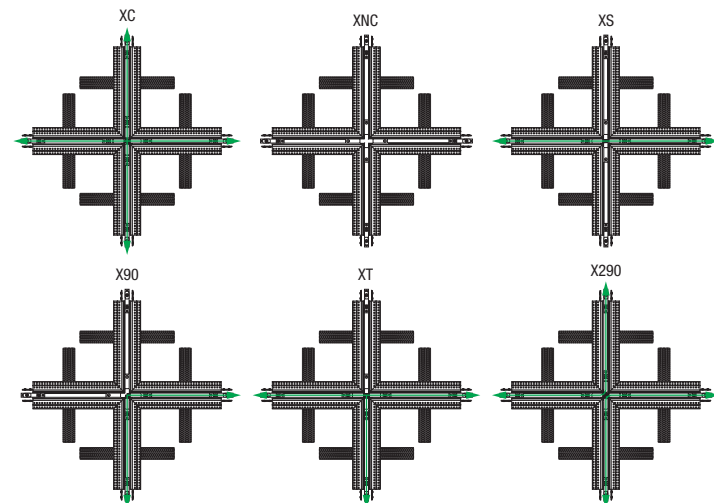
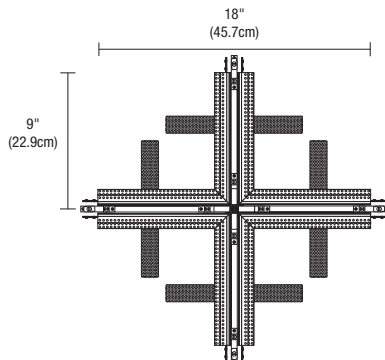
**COMPONENTS**



**T-SHAPED CONNECTOR**

T-Shaped Connector joins three sections of track 90° apart. It isolates the power of each section "TNC"; or electrically conducts the power to section(s): all sections "TC", base to left section "TBL", base to right section "TBR" or straight from left to right section "TS".

System	Circuit	Type	Color
<b>TR24M</b>	<b>2C</b>	<b>TC</b>	<b>WH</b>
<b>TR24M</b> TruTrack Magnetic Recessed 24VDC	<b>2C</b> Two Circuit	<b>TC</b> T-Shaped Conductive Connector <b>TNC</b> T-Shaped Non-Conductive Connector <b>TBL</b> T-Shaped Connector, Conductive on Base & Left Sections <b>TBR</b> T-Shaped Connector, Conductive on Base & Right Sections <b>TS</b> T-Shaped Connector, Conductive Straight through Left & Right Sections	<b>BK</b> Black <b>PW</b> Pure White Powder Coat RAL 9016 <b>WH</b> Warm White Powder Coat RAL 9010



**X-SHAPED CONNECTOR**

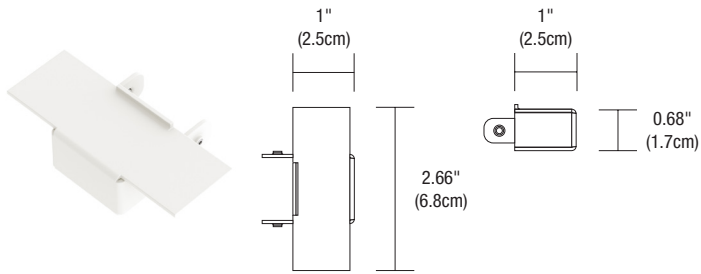
X-Shaped Connector joins four sections of track 90° apart. It isolates the power of each section "XNC" or electrically conducts the power to section(s): all sections "XC", straight through two sections "XS", two sections with 90° turn "X90", four sections with two 90° turns "X290" or in a T-Shaped section "XT".

System	Circuit	Type	Color
<b>TR24M</b>	<b>2C</b>	<b>XC</b>	<b>WH</b>
<b>TR24M</b> TruTrack Magnetic Recessed 24VDC	<b>2C</b> Two Circuit	<b>XC</b> X- Shaped Conductive Connector <b>XNC</b> X-Shaped Non-Conductive Connector <b>XS</b> X-Shaped Connector, Conductive Straight through 2 Sections <b>X90</b> X-Shaped Connector, Conductive on 2 Sections, 90° Turn <b>XT</b> X-Shaped Connector, Conductive on 3 Sections <b>X290</b> X-Shaped Connector, Conductive on 4 Sections, (2) 90° Turns	<b>BK</b> Black <b>PW</b> Pure White Powder Coat RAL 9016 <b>WH</b> Warm White Powder Coat RAL 9010

PROJECT	FIXTURE TYPE	DATE
---------	--------------	------

# TRUTRACK® MAGNETIC DIY

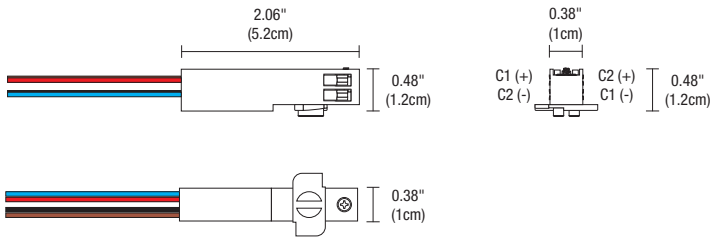
## 24VDC REMOTE POWER, RECESSED TWO-CIRCUIT TRACK SYSTEM



### END CAP

Plaster over and paintable End Cap, needs to be ordered with each dead end of TR24M Track System.

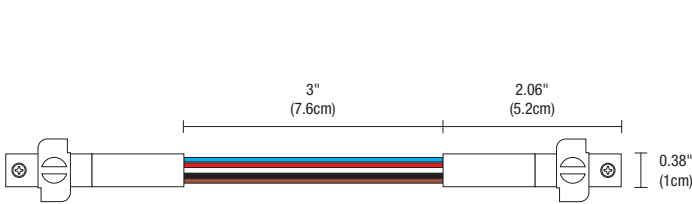
System	Type	Color
<b>TR24</b>	<b>CA</b>	<b>WH</b>
TR24 TruTrack® Recessed	CA End Cap	WH White



### POWER FEED CONNECTOR

Included with each end of TR24M Track System.

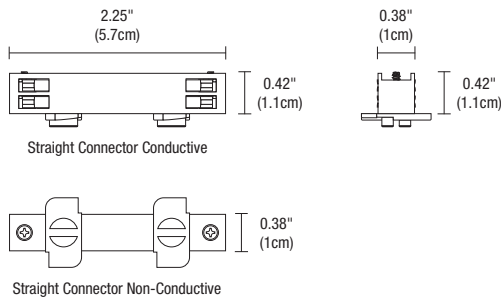
System	Circuit	Type
<b>T24M</b>	<b>2C</b>	<b>P</b>
T24M TruTrack Magnetic Recessed 24VDC	2C Two Circuit	P Power Feed and Track Connector



### POWER JUMPER

Included with each conductive connectors for connecting two sections of track.

System	Circuit	Connector
<b>T24M</b>	<b>2C</b>	<b>JC</b>
T24M TruTrack Magnetic Recessed 24VDC	2C Two Circuit	JC Jumper Connector

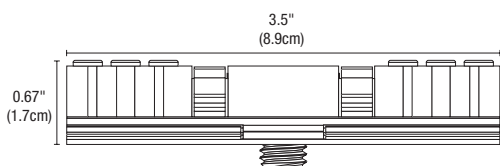


### STRAIGHT CONNECTOR

Miniature Straight Connector joins two track sections end to end and is concealed by the slot covers. Included with each section of track.

System	Circuit	Type
<b>T24M</b>	<b>2C</b>	<b>SC</b>
T24M TruTrack Magnetic Recessed 24VDC	2C Two Circuit	SC Straight Connector Conductive SNC Straight Connector Non-Conductive

### INCLUDED WITH TRACK HEADS



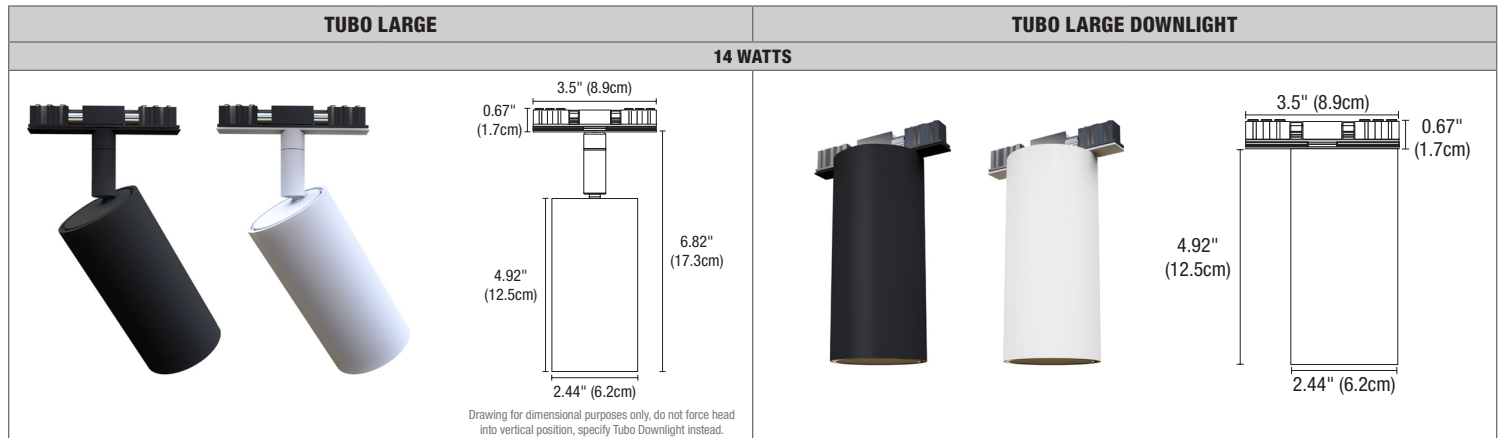
System	Circuit	Connector	Finish
<b>T24M</b>	<b>2C</b>	<b>FJR</b>	<b>BK</b>
T24M TruTrack Magnetic Recessed 24VDC	2C Two Circuit	FJR Fast Jack Connector	BK Black PW Pure White Powder Coat RAL 9016 WH Warm White Powder Coat RAL 9010

PROJECT		FIXTURE TYPE		DATE	
---------	--	--------------	--	------	--

# T24M TRACK HEADS, 2 CIRCUIT MAGNETIC

## 24VDC WITH INTEGRATED LED, STATIC WHITE & WARM DIM TECHNOLOGY

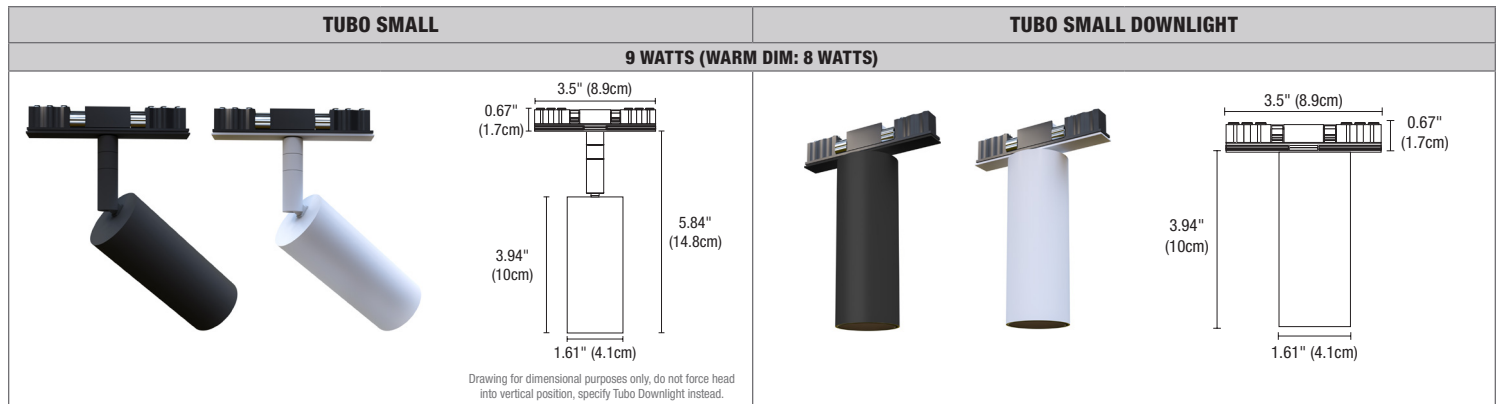
PureEdge T24M Track Heads are Compatible with TruTrack® Magnetic (TR24M-2C). All uniform beam spread options are field changeable. See accessories page for more information.



System	Type	Fixture	Beam Spread	Color Temperature	Finish
<b>T24M</b>	<b>2C</b>	<b>TUBL</b>	<b>FL</b>	<b>30K</b>	<b>WH</b>

- |   |                     |   |  |   |   |
|---|---------------------|---|--|---|---|
| <b>T24M</b> Track Head 24V Magnetic Connector | <b>2C</b> 2 Circuit | <b>TUBL</b> Tubo Large<br><b>TUBLD</b> Tubo Large Downlight | <b>NS</b> Narrow Spot 10°<br><b>SP</b> Spot 20°<br><b>NF</b> Narrow Flood 35°<br><b>FL</b> Flood 45°<br><b>WF</b> Wide Flood 60°<br>For 7° use STB16 snoot with NS | <b>24K</b> 2400K Very Warm White<br><b>27K</b> 2700K Incandescent White<br><b>30K</b> 3000K Warm White<br><b>30D</b> 3000D Warm Dim<br><b>35K</b> 3500K Neutral White<br><b>30D NS:</b> 7.5W 400 lumens | <b>BK</b> Black Powder Coat<br><b>WH</b> Warm White Powder Coat RAL 9010<br><b>PW</b> Pure White Powder Coat RAL 9016 |
|---|---------------------|---|--|---|---|

COLOR TEMPERATURE	BEAM ANGLE REFERENCE 45°				
	24K	27K	30K	30D	35K
TOTAL LUMENS	1238	1035	1069	683	1268
WATTS	14	14	14	14	14
LUMENS PER WATT (lm/w)	88	74	76	49	91
CRI	97	92	91	97	98
TM-30 DATA	R9: 60 Rf: 93 Rg: 98	R9: 97 Rf: 92 Rg: 100	R9: 64 Rf: 91 Rg: 98	R9: 90 Rf: 95 Rg: 102	R9: 92 Rf: 94 Rg: 101



System	Type	Fixture	Beam Spread	Color Temperature	Finish
<b>T24M</b>	<b>2C</b>	<b>TUBS</b>	<b>FL</b>	<b>30K</b>	<b>WH</b>

- |   |                     |   |  |   |  |
|---|---------------------|---|--|---|--|
| <b>T24M</b> Track Head 24V Magnetic Connector | <b>2C</b> 2 Circuit | <b>TUBS</b> Tubo Small<br><b>TUBSD</b> Tubo Small Downlight | <b>NS</b> Narrow Spot 15°<br><b>SP</b> Spot 25°<br><b>NF</b> Narrow Flood 35°<br><b>FL</b> Flood 45°<br><b>WF</b> Wide Flood 60°<br>For 7° use TUBS-ST snoot with NS | <b>24K</b> 2400K Very Warm White<br><b>27K</b> 2700K Incandescent White<br><b>30K</b> 3000K Warm White<br><b>30D</b> 3000D Warm Dim<br><b>35K</b> 3500K Neutral White | <b>BK</b> Black Powder Coat<br><b>WH</b> White Powder Coat |
|---|---------------------|---|--|---|--|

COLOR TEMPERATURE	BEAM ANGLE REFERENCE 45°				
	24K	27K	30K	30D	35K
TOTAL LUMENS	503	420	434	287	515
WATTS	9	9	9	8	9
LUMENS PER WATT (lm/w)	59	49	51	39	61
CRI	97	92	93	94	98
TM-30 DATA	R9: 60 Rf: 93 Rg: 98	R9: 97 Rf: 92 Rg: 100	R9: 64 Rf: 91 Rg: 98	R9: 90 Rf: 95 Rg: 102	R9: 92 Rf: 94 Rg: 101

All track heads with the exception of Tubo Wall Wash and Zoom are JA8 listed with universal power supplies in 27K CCT. Click the link to access our full Title 24 compliance listings: [pureedgelighting.com/resources](http://pureedgelighting.com/resources)

PROJECT	FIXTURE TYPE	DATE
---------	--------------	------

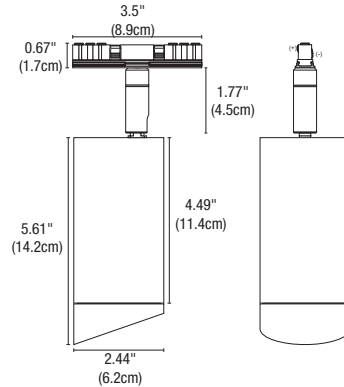


# T24M TRACK HEADS, 2 CIRCUIT MAGNETIC

24VDC WITH INTEGRATED LED, STATIC WHITE & WARM DIM TECHNOLOGY

## TUBO LARGE WALL WASH

15 WATTS



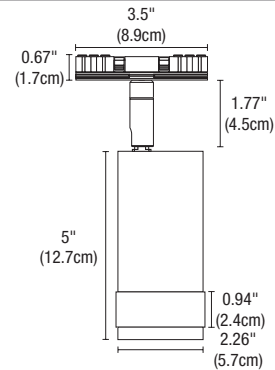
System	Type	Fixture	Beam Spread	Color Temperature	Finish
<b>T24M</b>	<b>2C</b>	<b>TUBL</b>	<b>WW</b>	<b>30K</b>	<b>BK</b>

**T24M** Track Head 24V Magnetic Connector   
 **2C** 2 Circuit   
 **TUBL** Tubo Large   
 **WW** Wall Wash   
 **24K** 2400K Very Warm White   
**27K** 2700K Incandescent White   
**30K** 3000K Warm White   
**30D** 3000K Warm Dim to 1800K   
**35K** 3500K Neutral White   
**BK** Black Powder Coat   
**WH** Warm White Powder Coat RAL 9010   
**PW** Pure White Powder Coat RAL 9016

TUBO WALL WASH	
COLOR TEMPERATURE	30K
TOTAL LUMENS	884
WATTS	15
LUMENS PER WATT (lm/w)	59
CRI	92
TM-30 DATA	R9: 61.2 Rf: 92 Rg: 100

## ZOOM

16 WATTS



System	Type	Fixture	Beam Spread	Color Temperature	Finish
<b>T24M</b>	<b>2C</b>	<b>ZOOM</b>	<b>Z2</b>	<b>30K</b>	<b>BK</b>

**T24M** Track Head 24V Magnetic Connector   
 **2C** 2 Circuit   
**ZOOM** Zoom   
**Z1** Zoom Adjust 15° to 55°   
**Z2** Zoom Adjust 20° to 50°   
**24K** 2400K Very Warm White   
**27K** 2700K Incandescent White   
**30K** 3000K Warm White   
**30D** 3000K Warm Dim to 1800K\*   
**35K** 3500K Neutral White   
**BK** Black Powder Coat   
**WH** Warm White Powder Coat RAL 9010

\*Only available for Z2

	Z1		Z2		Z2	
BEAM ANGLE	15°	55°	20°	50°	20°	50°
COLOR TEMPERATURE	30K	30K	30K	30K	30D	30D
TOTAL LUMENS	686	873	795	1188	727	879
WATTS	16	16	16	16	15	15
LUMENS PER WATT (lm/w)	46	61	69	89	50	61
CRI	93	93	94	94	97	97
TM-30 DATA	R9: 66 Rf: 92 Rg: 101	R9: 66 Rf: 92 Rg: 101	R9: 74 Rf: 92 Rg: 102	R9: 74 Rf: 92 Rg: 102	R9: 66 Rf: 94 Rg: 101	R9: 66 Rf: 94 Rg: 101

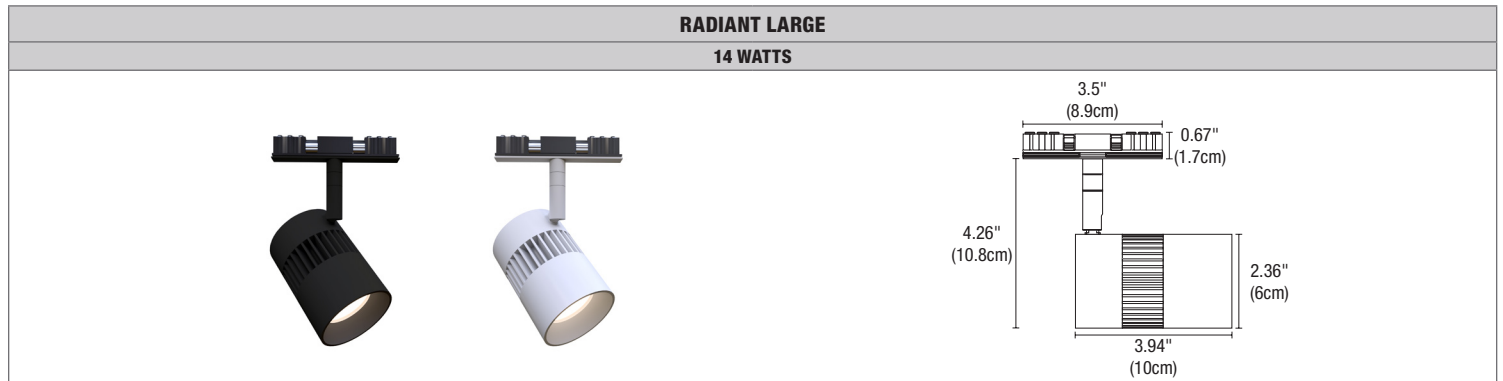
PROJECT	FIXTURE TYPE	DATE
---------	--------------	------

# T24M TRACK HEADS, 2 CIRCUIT MAGNETIC

24VDC WITH INTEGRATED LED, STATIC WHITE & WARM DIM TECHNOLOGY

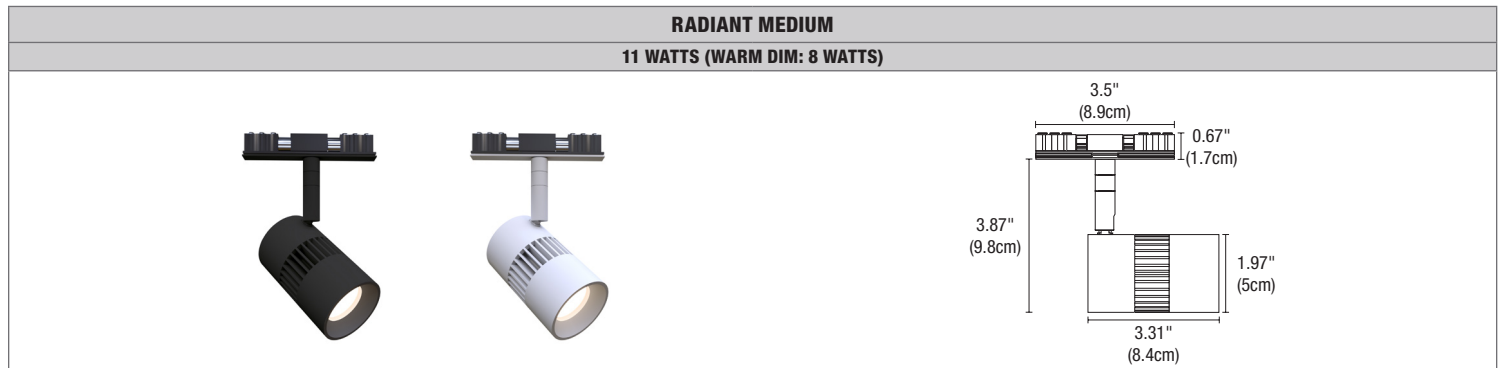
REV 11.20.24

All uniform beam spread options are field changeable.



System	Type	Fixture	Beam Spread	Color Temperature	Finish
<b>T24M</b>	<b>2C</b>	<b>RADL</b>	<b>FL</b>	<b>30K</b>	<b>WH</b>
T24M Track Head 24V Magnetic Connector	2C 2 Circuit	RADL Radiant Large	<b>NS</b> Narrow Spot 10° <b>SP</b> Spot 20° <b>NF</b> Narrow Flood 35° <b>FL</b> Flood 45° <b>WF</b> Wide Flood 60° Warm Dim: <b>NS</b> (15°), <b>SP</b> (25°)	<b>24K</b> 2400K Very Warm White <b>27K</b> 2700K Incandescent White <b>30K</b> 3000K Warm White <b>30D</b> 3000D Warm Dim* <b>35K</b> 3500K Neutral White *Not available in NF	<b>BK</b> Black Powder Coat <b>WH</b> White Powder Coat

BEAM ANGLE REFERENCE 45°					
COLOR TEMPERATURE	24K	27K	30K	30D	35K
TOTAL LUMENS	1389	1161	1199	838	1422
WATTS	14	14	14	14	14
LUMENS PER WATT (lm/w)	99	83	86	58	102
CRI	97	92	93	97	98
TM-30 DATA	R9: 60 Rf: 93 Rg: 98	R9: 97 Rf: 92 Rg: 100	R9: 64 Rf: 91 Rg: 98	R9: 90 Rf: 95 Rg: 102	R9: 92 Rf: 94 Rg: 101



System	Type	Fixture	Beam Spread	Color Temperature	Finish
<b>T24M</b>	<b>2C</b>	<b>RADM</b>	<b>FL</b>	<b>30K</b>	<b>WH</b>
T24M Track Head 24V Magnetic Connector	2C 2 Circuit	RADM Radiant Medium	<b>SP</b> Spot 20° <b>NF</b> Narrow Flood 35° <b>FL</b> Flood 45° <b>WF</b> Wide Flood 60°	<b>24K</b> 2400K Very Warm White <b>27K</b> 2700K Incandescent White <b>30K</b> 3000K Warm White <b>30D</b> 3000D Warm Dim <b>35K</b> 3500K Neutral White	<b>BK</b> Black Powder Coat <b>WH</b> White Powder Coat

BEAM ANGLE REFERENCE 45°					
COLOR TEMPERATURE	24K	27K	30K	30D	35K
TOTAL LUMENS	765	639	660	360	783
WATTS	11	11	11	8	11
LUMENS PER WATT (lm/w)	70	58	64	47	76
CRI	97	92	93	93	98
TM-30 DATA	R9: 97 Rf: 92 Rg: 100	R9: 64 Rf: 91 Rg: 98	R9: 90 Rf: 95 Rg: 102	R9: 92 Rf: 94 Rg: 101	R9: 92 Rf: 94 Rg: 101

MATERIAL	Extruded Aluminum	FREQUENCY	50/60HZ	APPLICATION	Suitable for dry locations. Indoor use only.	COMPLIANCE LABEL	ETL to UL 2108 Standard
INPUT VOLTAGE	24VDC	POWER FACTOR	> 0.90	DIMMING & FLICKER	0-10V dimming Flicker less than 2%	LED LAMP LIFE	60,000 Hours

All track heads with the exception of Tubo Wall Wash and Zoom are JA8 listed with universal power supplies in 27K> CCT. Click the link to access our full Title 24 compliance listings: [pureedgelighting.com/resources](http://pureedgelighting.com/resources).

PROJECT		FIXTURE TYPE		DATE	
---------	--	--------------	--	------	--

# T24M TRACK HEADS, 2 CIRCUIT MAGNETIC

24VDC WITH INTEGRATED LED, STATIC WHITE & WARM DIM TECHNOLOGY

## Additional Lenses and Accessories

REV 11.20.24

TUBO LARGE LENS		SNOOT		LOUVER	FOCUS LENS	LINEAR SPREAD FILM	
<b>ORDERING CODE</b>	<b>STATIC WHITE</b> LEN-TUBL-NS-SW LEN-TUBL-SP-SW LEN-TUBL-NF-SW LEN-TUBL-FL-SW LEN-TUBL-WF-SW	<b>WARM DIM</b> LEN-TUBL-SP-WD LEN-TUBL-NF-WD LEN-TUBL-FL-WD LEN-TUBL-WF-WD	<b>STB16-BK</b> <b>STB16-WH (WHITE SHELL)</b>	<b>ST16-BK</b> <b>ST16-WH</b>	<b>L016-H</b>	<b>LF-TUBL-SF (SOFT FOCUS),</b> <b>MF (MEDIUM FOCUS),</b> <b>WF (WIDE FOCUS)</b>	<b>LF-TUBL-LS</b>
<b>LENS SIZE</b>	2" (50mm) Diameter						
<b>BEAM SPREADS</b>	<b>NS (10°), SP (20°), NF (35°)</b> <b>FL (45°), WF (60°)</b>		Conical snoot creates a 7° Beam spread and is designed to reduce spill and control glare. Spun aluminum.	Snoot is designed to reduce spill and control glare. Spun aluminum.	Hexcell louver eliminates glare. 0.125" Thickness.	Soft focus lens is included with every track head. Diffuses the beam, providing uniform illumination.	Linear spread film: directs the light into an elongated beam. Typical applications using 10°, 15°, 25° include illuminating landscape oriented art. 35°, 40°, 60° create an elongated oval typically used for wall washing.

TUBO SMALL LENS		SNOOT		LOUVER	FOCUS LENS	LINEAR SPREAD FILM	
<b>ORDERING CODE</b>	<b>STATIC WHITE</b> LEN-TUBS-NS-SW LEN-TUBS-SP-SW LEN-TUBS-NF-SW LEN-TUBS-FL-SW LEN-TUBS-WF-SW	<b>WARM DIM</b> LEN-TUBS-SP-WD LEN-TUBS-NF-WD LEN-TUBS-FL-WD LEN-TUBS-WF-WD	<b>TUBS-ST-BK</b> <b>TUBS-ST-WH (WHITE SHELL)</b>		<b>L011-H</b>	<b>LF-TUBS-SF (SOFT FOCUS),</b> <b>MF (MEDIUM FOCUS),</b> <b>WF (WHITE FOCUS)</b>	<b>LF-TUBS-LS</b>
<b>LENS SIZE</b>	1.37" (35mm) Diameter						
<b>BEAM SPREADS</b>	<b>NS (15°), SP (25°), NF (35°),</b> <b>FL (45°), WF (60°)</b>		Conical snoot creates a 7° Beam spread and is designed to reduce spill and control glare. Spun aluminum.	Hexcell louver eliminates glare. 0.125" Thickness.	Soft focus lens is included with every track head. Diffuses the beam, providing uniform illumination.	Linear spread film: directs the light into an elongated beam. Typical applications using 10°, 15°, 25° include illuminating landscape oriented art. 35°, 40°, 60° create an elongated oval typically used for wall washing.	

RADIANT LARGE LENS		SNOOT		LOUVER	FOCUS LENS	LINEAR SPREAD FILM	
<b>ORDERING CODE</b>	<b>STATIC WHITE</b> LEN-RADL-NS-SW LEN-RADL-SP-SW LEN-RADL-NF-SW LEN-RADL-FL-SW LEN-RADL-WF-SW	<b>WARM DIM</b> LEN-RADL-NS-WD LEN-RADL-SP-WD LEN-RADL-FL-WD LEN-RADL-WF-WD	<b>STB16-BK</b> <b>STB16-WH (WHITE SHELL)</b>		<b>L016-H</b>	<b>LF-RADL-SF (SOFT FOCUS),</b> <b>MF (MEDIUM FOCUS),</b> <b>WF (WIDE FOCUS)</b>	<b>LF-RADL-LS</b>
<b>LENS SIZE</b>	2" (50mm) Diameter						
<b>BEAM SPREADS</b>	<b>NS (10°), SP (20°),</b> <b>NF (35°), FL (45°),</b> <b>WF (60°)</b>	<b>NS (15°), SP (25°),</b> <b>FL (45°), WF (60°)</b>	Conical snoot creates a 7° Beam spread and is designed to reduce spill and control glare. Spun aluminum.	Hexcell louver eliminates glare. 0.125" Thickness.	Soft focus lens is included with every track head. Diffuses the beam, providing uniform illumination.	Linear spread film: directs the light into an elongated beam. Typical applications using 10°, 15°, 25° include illuminating landscape oriented art. 35°, 40°, 60° create an elongated oval typically used for wall washing.	

RADIANT MEDIUM LENS		LOUVER	FOCUS LENS	LINEAR SPREAD FILM
<b>ORDERING CODE</b>	<b>STATIC WHITE</b> LEN-RADM-SP-SW LEN-RADM-NF-SW LEN-RADM-FL-SW LEN-RADM-WF-SW	<b>L011-H</b>	<b>LF-RADM-SF (SOFT FOCUS)</b> <b>MF (MEDIUM FOCUS), WF (WIDE FOCUS)</b>	<b>LF-RADM-LS</b>
<b>LENS SIZE</b>	1.37" (35mm) Diameter			
<b>BEAM SPREADS</b>	<b>SP (20°), NF (35°), FL (45°), WF (60°)</b>		Hexcell louver eliminates glare. 0.125" Thickness.	Soft focus lens is included with every track head. Diffuses the beam, providing uniform illumination.

PROJECT		FIXTURE TYPE		DATE	
---------	--	--------------	--	------	--

# T24M TRACK HEADS, 2 CIRCUIT MAGNETIC

24VDC WITH INTEGRATED LED, STATIC WHITE & WARM DIM TECHNOLOGY

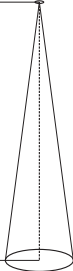
REV 11.20.24

## TUBO LARGE Photometric Data at 3000K

**D** - Distance from fixture  
**FC** - Initial foot candles at the center of beam  
**DIA** - Diameter

**NARROW SPOT BEAM ANGLE 10°**

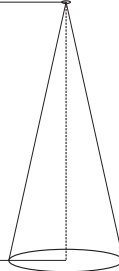
D'	FC	DIA.
1'	17300	2.2"
2'	4330	4.3"
3'	1930	6.5"
4'	1080	8.6"
5'	694	10.8"
6'	482	12"
7'	354	15"
8'	271	18"



DIA.

**SPOT BEAM ANGLE 20°**

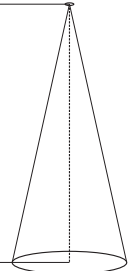
D'	FC	DIA.
1'	2582	4.3"
2'	1860	8.6"
3'	828	13"
4'	466	17.3"
5'	298	21.6"
6'	207	25.9"
7'	152	30.2"
8'	117	34.6"



DIA.

**NARROW FLOOD BEAM ANGLE 35°**

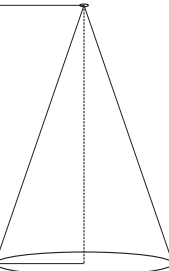
D'	FC	DIA.
1'	2780	7.6"
2'	695	15.1"
3'	309	22.7"
4'	174	30"
5'	111	37.2"
6'	77.2	45.4"
7'	56.7	53"
8'	43.4	62.5"



DIA.

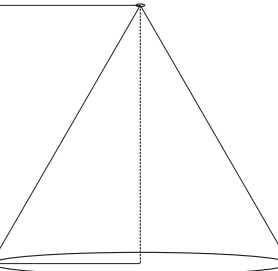
**FLOOD BEAM ANGLE 45°**

D'	FC	DIA.
1'	1610	9.8"
2'	403	18"
3'	179	29.2"
4'	101	40"
5'	64.5	48"
6'	44.8	58.3"
7'	32.9	68"
8'	25.2	80"



**WIDE FLOOD BEAM ANGLE 60°**

D'	FC	DIA.
1'	561	16.2"
2'	140	32.4"
3'	62.3	48"
4'	35	64.8"
5'	22.4	81"
6'	15.6	97.2"
7'	11.4	113.4"
8'	8.8	129.6"

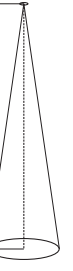


## TUBO SMALL Photometric Data at 3000K

**D** - Distance from fixture  
**FC** - Initial foot candles at the center of beam  
**DIA** - Diameter

**NARROW SPOT BEAM ANGLE 15°**

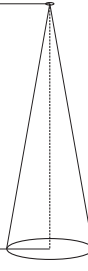
D'	FC	DIA.
1'	3890	3.2"
2'	972	6.4"
3'	432	9.7"
4'	243	12.9"
5'	156	16.2"
6'	108	19.4"
7'	79	22.6"
8'	61	25.9"



DIA.

**SPOT BEAM ANGLE 25°**

D'	FC	DIA.
1'	2080	5.4"
2'	520	10.8"
3'	231	16.2"
4'	130	21.6"
5'	83	27"
6'	57.8	32.4"
7'	42.4	37.8"
8'	32.5	43.2"



DIA.

**NARROW FLOOD BEAM ANGLE 35°**

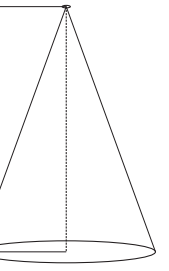
D'	FC	DIA.
1'	1540	7.5"
2'	385	15.1"
3'	171	22.6"
4'	96.3	30"
5'	61.6	37.2"
6'	42.8	45.3"
7'	31.4	53"
8'	24.1	62.5"



DIA.

**FLOOD BEAM ANGLE 45°**

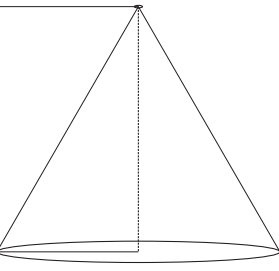
D'	FC	DIA.
1'	496	9.7"
2'	124	19.4"
3'	55.1	29.1"
4'	31	38.8"
5'	19.8	48.6"
6'	13.8	58.3"
7'	10.1	68.0"
8'	7.75	77.7"



DIA.

**WIDE FLOOD BEAM ANGLE 60°**

D'	FC	DIA.
1'	265	16.2"
2'	66.3	32.4"
3'	29.4	48"
4'	16.6	64.8"
5'	10.6	81"
6'	7.3	97.2"
7'	5.4	113.4"
8'	4.1	129.6"



DIA.

PROJECT	FIXTURE TYPE	DATE
---------	--------------	------

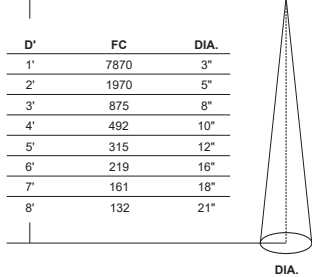
# T24M TRACK HEADS, 2 CIRCUIT MAGNETIC

24VDC WITH INTEGRATED LED, STATIC WHITE & WARM DIM TECHNOLOGY

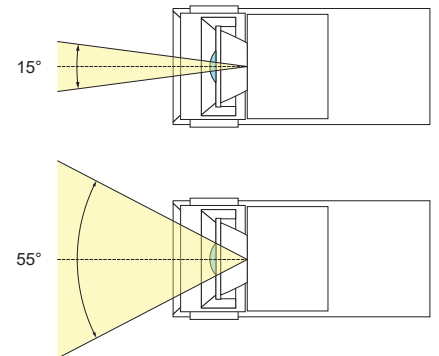
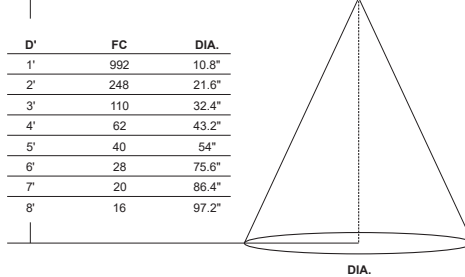
## ZOOM Z1 Photometric Data at 3000K

**D** - Distance from fixture  
**FC** - Initial foot candles at the center of beam  
**DIA** - Diameter

15° BEAM ANGLE



55° BEAM ANGLE

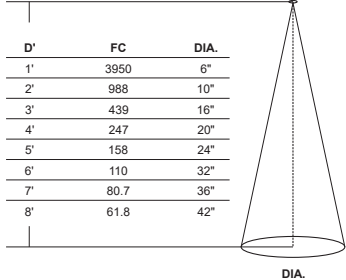


Z1: Adjustable between 15° and 55°

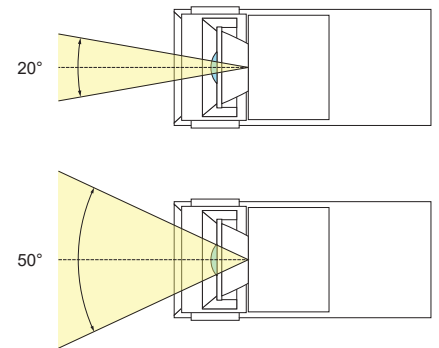
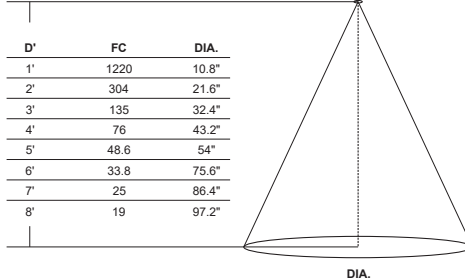
## ZOOM Z2 Photometric Data at 3000K

**D** - Distance from fixture  
**FC** - Initial foot candles at the center of beam  
**DIA** - Diameter

20° BEAM ANGLE



50° BEAM ANGLE

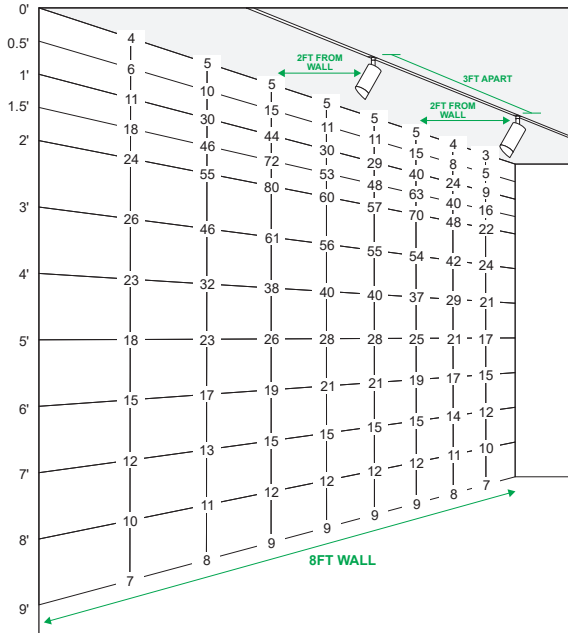


Z2: Adjustable between 20° and 50°

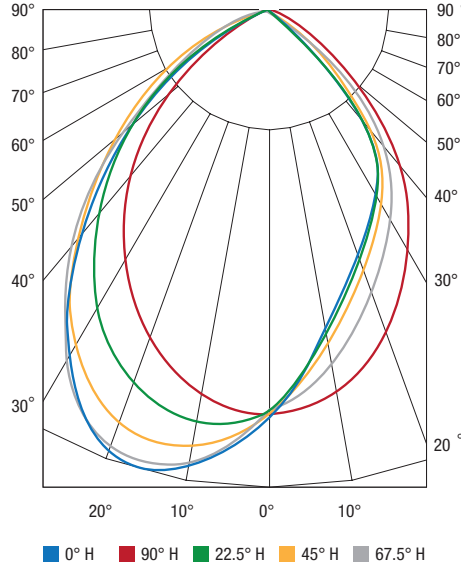
## TUBO WALL WASH Photometric Data at 3000K

**D** - Distance from fixture  
**FC** - Initial foot candles at the center of beam  
**DIA** - Diameter

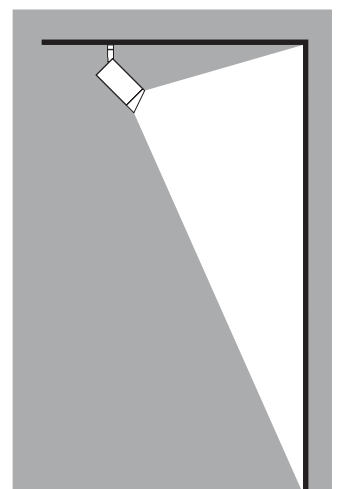
Tube Wall Wash Foot Candle Chart



CANDLE POWER DISTRIBUTION



DIRECTION OF LIGHT



PROJECT	FIXTURE TYPE	DATE
---------	--------------	------



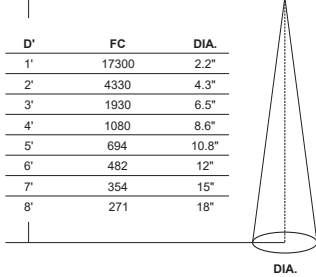
# T24M TRACK HEADS, 2 CIRCUIT MAGNETIC

24VDC WITH INTEGRATED LED, STATIC WHITE & WARM DIM TECHNOLOGY

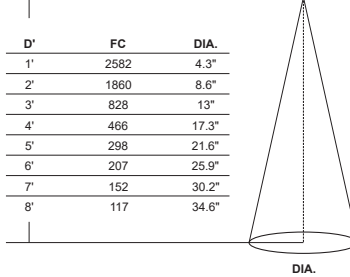
## RADIANT LARGE Photometric Data at 3000K

**D** - Distance from fixture  
**FC** - Initial foot candles at the center of beam  
**DIA** - Diameter

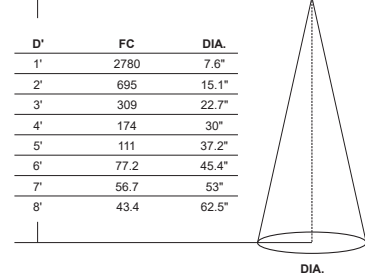
NARROW SPOT BEAM ANGLE 10°



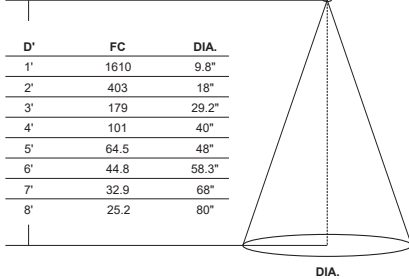
SPOT BEAM ANGLE 20°



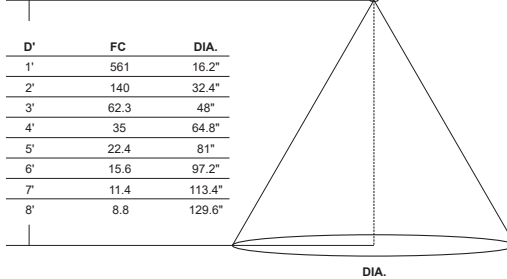
NARROW FLOOD BEAM ANGLE 35°



FLOOD BEAM ANGLE 45°



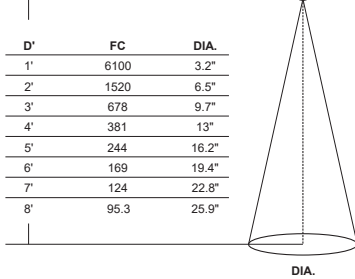
WIDE FLOOD BEAM ANGLE 60°



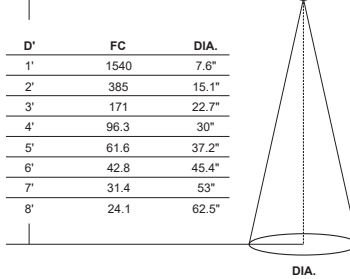
## RADIANT MEDIUM Photometric Data at 3000K

**D** - Distance from fixture  
**FC** - Initial foot candles at the center of beam  
**DIA** - Diameter

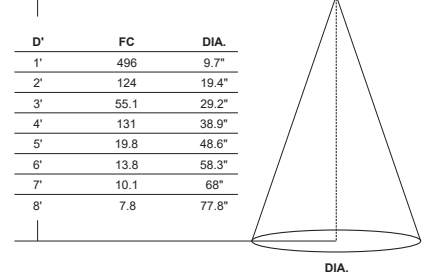
SPOT BEAM ANGLE 20°



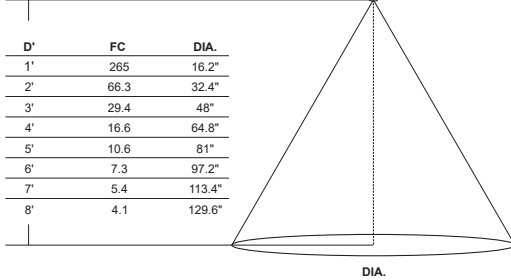
NARROW FLOOD BEAM ANGLE 35°



FLOOD BEAM ANGLE 45°



WIDE FLOOD BEAM ANGLE 60°



PROJECT	FIXTURE TYPE	DATE
---------	--------------	------

# UNIVERSAL POWER SUPPLIES WITH TRIM

24VDC, UNIVERSAL DIMMING (ELV, TRIAC, 0-10V) STATIC WHITE & WARM DIM FOR TRACK HEADS



### DESCRIPTION

The Uni TRIM Power Supply is designed for 24 Volt Track Heads, accepts input voltage in a range of 120 - 277VAC and outputs 24VDC power up to 96 watts. Can be used as a dimmable or non-dim Power Supply. Dims down 7% with an ELV dimmer or a 0-10 volt dimmer when two additional wires are connected to the dimmer. The enclosure provides a space inside for electrical connections. Power Supply features short circuit and overload and over temperature protection. Indoor applications only. For custom quotes and layout assistance, send your drawings and ideas to our design team: [design@PureEdgeLighting.com](mailto:design@PureEdgeLighting.com).

### MOUNTING

Surface mounted with conduit access

### COMPATIBILITY

Compatible with PureEdge 24VDC Track heads (T24, T24M), Vanishing Point and Mono-point/Multi-point heads (FJ24, VR, V2MR, MR2R, M44R, 2RRE, 3R8R).

### POWER INPUT

120-277 volts AC, 50/60Hz

### POWER OUTPUT

Class 2; 24 volts DC 4A, 96 watts maximum

### EFFICIENCY

85%

### AMBIENT OPERATING TEMPERATURE

-25C to 40C

### ELV DIMMER TYPE

Legrand: Adorne ADTP703TU  
Lutron: Diva DVELV-300P, Skylark SELV-300P, Maestro MAELV-600 and Radio RA 2

### MAKE IT SMART

ELV & TRIAC [Smart Dimmer & Switch](#)

### 0-10 DIMMER TYPE

Lutron: Radio RA2 (with GRX-TVI), Grafik Eye Qs (with GRX-TVI), Diva (with PP20); Nova T  
Philips: Sunrise SR1200ZTUNV  
Leviton: IP710-DL

### DIMMING CURVE

Linear, Logarithmic 100% - 7% (HydraDrive)

### APPLICATIONS: Indoor

To avoid overheating the power supply, install it in a ventilated remote location where air flows. Maintain proper spacing among power supplies when multiple power supplies are installed in the same remote location.




Product	Wattage	Dimming	Voltage	Type	Options
<b>PSB</b>	<b>96W</b>	<b>UNI</b>	<b>24VDC</b>	<b>T</b>	<b>STANDARD</b> (Leave Blank)
<b>PSB</b> Power Supply with Enclosure Box	<b>40W</b> 40 Watt <b>60W</b> 60 Watt <b>96W</b> 96 Watt <b>2X40W</b> 2x40 Watt <b>2X60W</b> 2x60 Watt <b>2X96W</b> 2x96 Watt	<b>UNI</b> Universal Power Supply	<b>24VDC</b> 24 Volt DC	<b>T</b> Trim	<b>TB</b> T-Bar <b>CP</b> Chicago Plenum

PROJECT	FIXTURE TYPE	DATE
---------	--------------	------




# UNIVERSAL POWER SUPPLIES WITH TRIM

24VDC, UNIVERSAL DIMMING (ELV, TRIAC, 0-10V) STATIC WHITE & WARM DIM FOR TRACK HEADS

## UNIVERSAL POWER SUPPLIES & RECOMMENDED DIMMERS

	PSB-40W-UNI-24VDC-T	PSB-60W-UNI-24VDC-T	PSB-96W-UNI-24VDC-T
ORDERING CODE			
<b>SPECIFICATIONS</b>			
MAXIMUM LOAD	40W	60W	96W
INPUT VOLTAGE	120-277VAC	120-277VAC	120-277VAC
OUTPUT VOLTAGE	24VDC	24VDC	24VDC
DIMENSIONS	15.65" X 6.37" X 3.43"	15.65" X 6.37" X 3.43"	15.65" X 6.37" X 3.43"
CLASSIFICATION	CLASS 2	CLASS 2	CLASS 2
T-BAR MOUNTING	PSB-40W-UNI-24VDC-T-TB	PSB-60W-UNI-24VDC-T-TB	PSB-96W-UNI-24VDC-T-TB
T-BAR CHICAGO PLENUM	PSB-40W-UNI-24VDC-T-CP	PSB-60W-UNI-24VDC-T-CP	PSB-96W-UNI-24VDC-T-CP

## UNIVERSAL POWER SUPPLIES & RECOMMENDED DIMMERS

	PSB-2X40W-UNI-24VDC-T	PSB-2X60W-UNI-24VDC-T	PSB-2X96W-UNI-24VDC-T
ORDERING CODE			
<b>SPECIFICATIONS</b>			
MAXIMUM LOAD	2X40W	2X60W	2X96W
INPUT VOLTAGE	120-277VAC	120-277VAC	120-277VAC
OUTPUT VOLTAGE	24VDC	24VDC	24VDC
DIMENSIONS	15.4" X 9.73" X 3.43"	15.4" X 9.73" X 3.43"	15.4" X 9.73" X 3.43"
CLASSIFICATION	CLASS 2	CLASS 2	CLASS 2
T-BAR MOUNTING	PSB-2X40W-UNI-24VDC-T-TB	PSB-2X60W-UNI-24VDC-T-TB	PSB-2X96W-UNI-24VDC-T-TB
T-BAR CHICAGO PLENUM	PSB-2X40W-UNI-24VDC-T-CP	PSB-2X60W-UNI-24VDC-T-CP	PSB-2X96W-UNI-24VDC-T-CP

### ELV DIMMING & CONTROLS

LUTRON DIVA: DVELV-300P	•	•	•
LUTRON SKYLARK: SELV-300P	•	•	•
LUTRON RADIO RA3: RR-PROC3-XX	•	•	•
LUTRON MAESTRO: MAELV-600	•	•	•
LEGRAND ADORNE: ADTP-703TUM4	•	•	•

### 0-10 DIMMING & CONTROLS

PHILIPS SUNRISE: SR1200ZTUNV	•	•	•
LUTRON DIVA: DVTW-WH, DVSTV-WH	•	•	•
LUTRON NOVA T: NTSTV-DV-XX	•	•	•
LUTRON GRAFIX EYE QS: QSGRJ-XP	•	•	•
LUTRON RADIO RA3: RR-PROC3-XX	•	•	•
LEVITON: LEV40050	•	•	•
LEVITON IP710-LFZ	•	•	•
LEGRAND: ADPD4FBL3P2W4	•	•	•
LEGRAND RADIANT: RH703PTUW	•	•	•

### TRIAC DIMMING & CONTROLS

LUTRON SKYLARK: S2-L-WH	•	•	•
LUTRON DIVA DVLV-600P-WH	•	•	•
LUTRON DIVA DVLV-603P-WH	•	•	•
LUTRON MAESTRO MALV-600-WH	•	•	•
LUTRON MAESTRO MALV-1000-WH	•	•	•
LUTRON MAESTRO MA-R-XX	•	•	•
PURE SMART DIMMER AND SWITCH	•	•	•

- Flicker free dimming
- Aluminum casing for optimal heat dissipation
- Isolated output power per e and UL safety requirements
- UL & ETL recognized/ listed, meets UL 8750, 1310 requirements
- Auto-reset; short circuit, overload and thermal protection
- Class 2 power supply
- Efficient, High power factor > 0.90

- The Solid State Constant Voltage Uni-Power Supply is compatible with most commercially available Dimmers:
  - Triac Dimmer: (Forward Phase) Typically used for the dimming of Incandescent and Low Voltage Magnetic Transformers
  - ELV Dimmer: (Reverse Phase) Dimming of Electronic Low Voltage Transformers and Power Supplies used for LED lighting
  - 0-10 Dimmer : Dims the Low Voltage side of a 0-10 volt power supply commonly used in large scale lighting or commercial applications.
- The Uni-Power Supply is recommended with any Siemens/Murray brand of arc fault breaker to overcome the issues with tripping the breakers with ELV Low Voltage Drivers.

\*Title 24 with JA8 listed PureEdge products and systems

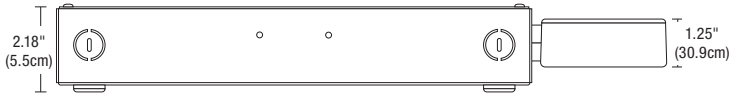
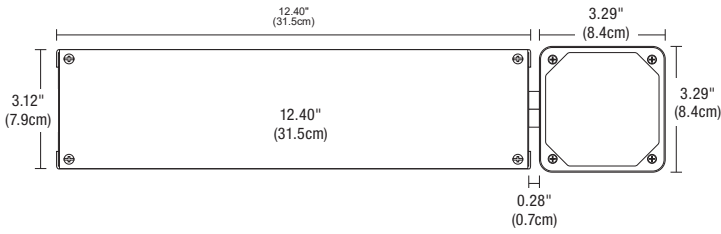
PROJECT	FIXTURE TYPE	DATE
---------	--------------	------

# UNIVERSAL POWER SUPPLIES WITH TRIM

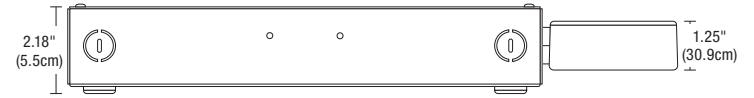
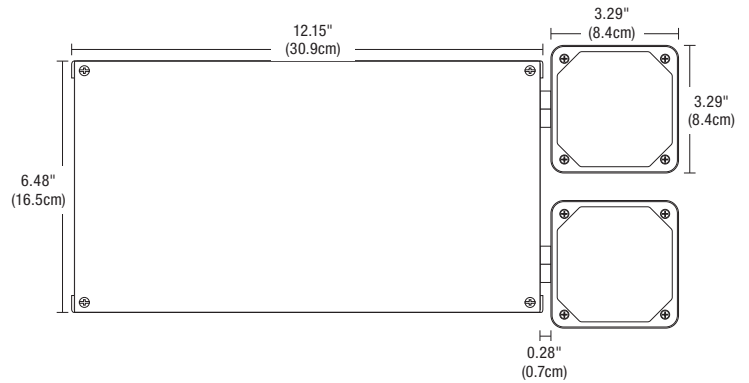
24VDC, UNIVERSAL DIMMING (ELV, TRIAC, 0-10V) STATIC WHITE & WARM DIM FOR TRACK HEADS

## POWER SUPPLY DIMENSIONS & DIAGRAMS

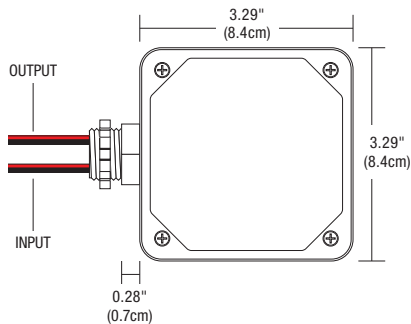
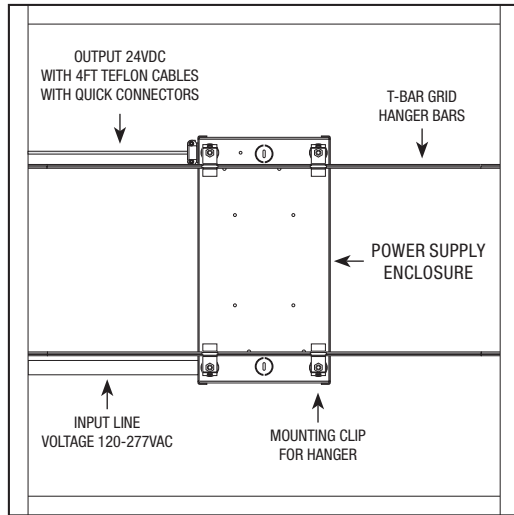
### 40W, 60W, 96W



### 2X40W, 2X60W, 2X96W



### T-BAR GRID CEILING



### VOLTAGE TRIM BOX

Voltage Trim Box is included with power supply. Mounts in 1/2" knock-outs. The part number below is to be used for replacement only.

Product	Voltage	Type
<b>PSB</b>	<b>24VDC</b>	<b>TRIM</b>
PSB Power Supply with Enclosure Box	24VDC 24 Volt DC	TRIM Voltage Trim Box

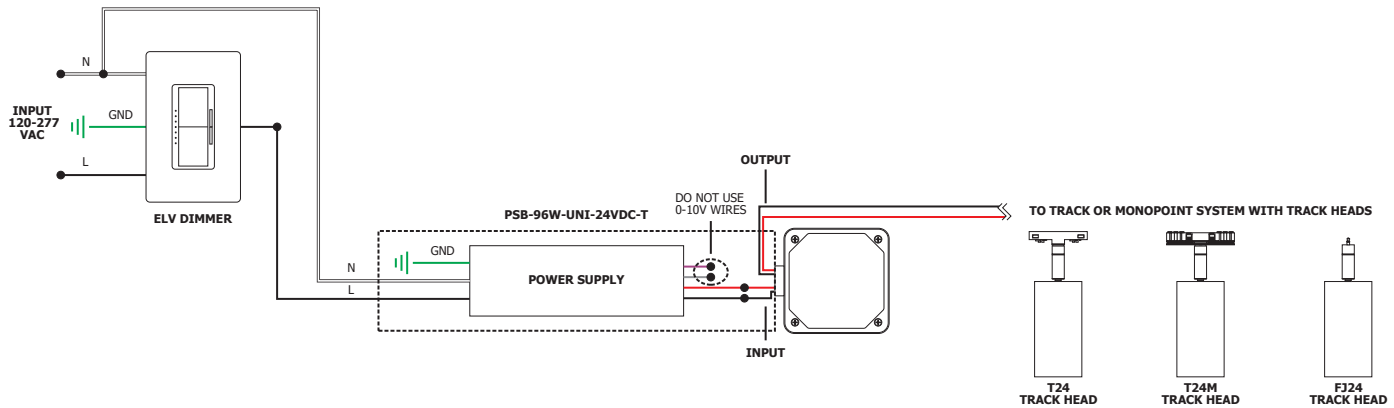
PROJECT	FIXTURE TYPE	DATE
---------	--------------	------

# UNIVERSAL POWER SUPPLIES WITH TRIM

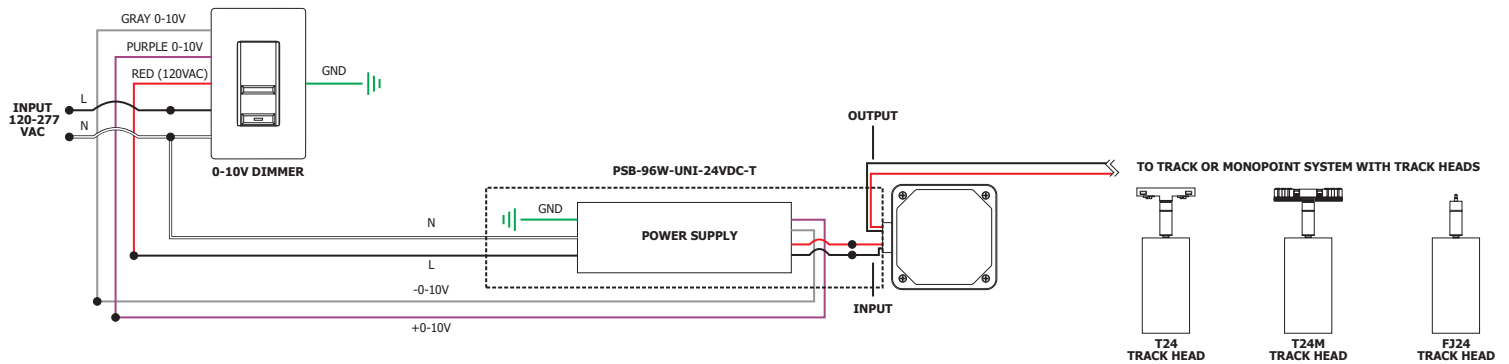
24VDC, UNIVERSAL DIMMING (ELV, TRIAC, 0-10V) STATIC WHITE & WARM DIM FOR TRACK HEADS

REV 11.20.24

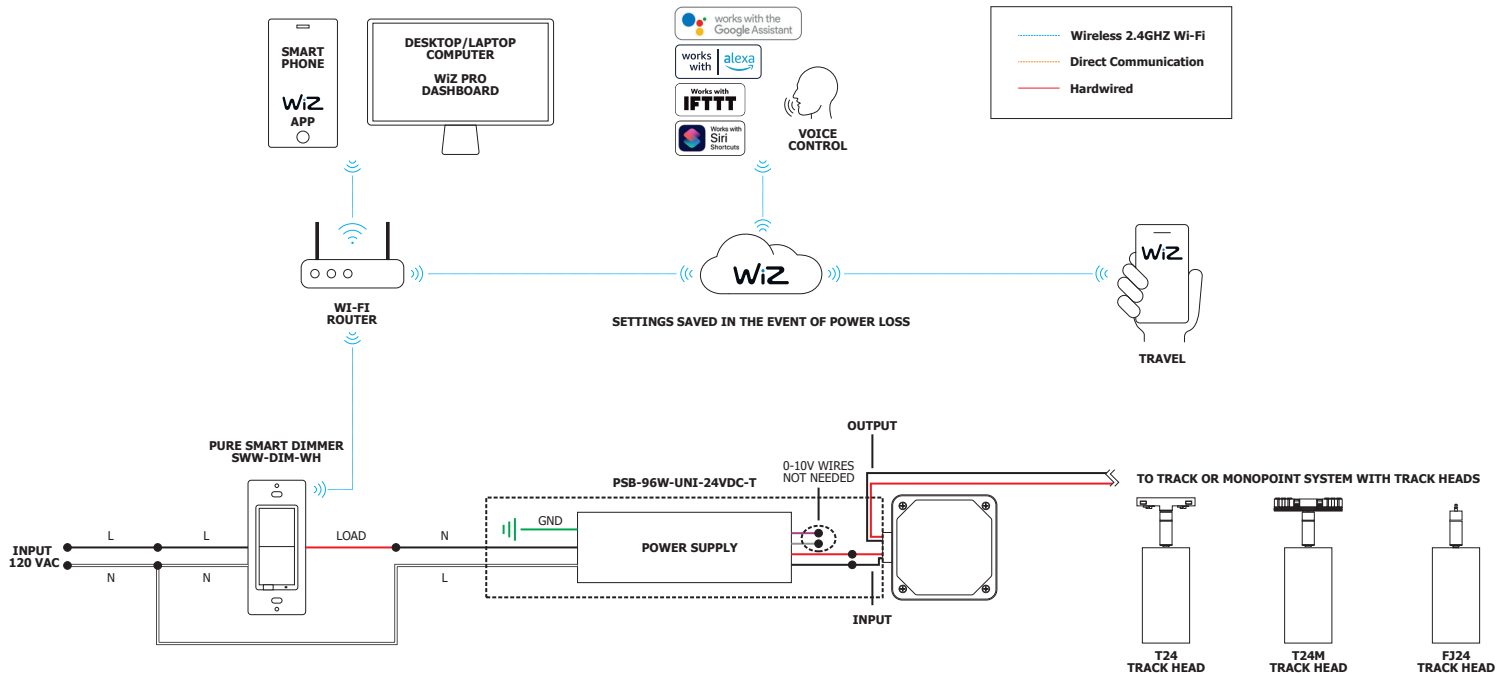
## ELV WIRING DIAGRAM



## 0-10V WIRING DIAGRAM



## SMART WIRING DIAGRAM & NETWORK TOPOGRAPHY



PROJECT	FIXTURE TYPE	DATE
---------	--------------	------



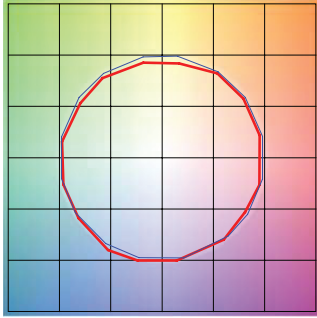
# TM30 DATA

24VDC WITH INTEGRATED LED, STATIC WHITE & WARM DIM TECHNOLOGY

**TM-30-15 DATA:** Consistent color temperatures among multiple track heads is possible through a 3 phase binning process in which each order is inspected with a color meter to ensure uniformity.

**2400K** | Rf: 91.2 | Rg: 96.8

Color Vector Graphic

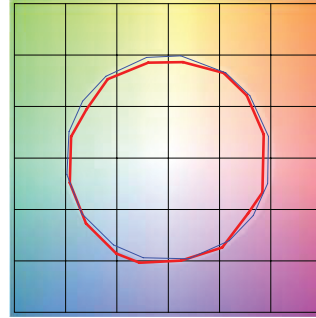


■ Test ■ Reference

HUE BIN	Rf	GRAPHIC SHIFTS %	
		CHROMA	HUE
1	92.0	-2.4%	1.5%
2	94.7	-2.1%	0.0%
3	95.4	-1.9%	-0.1%
4	88.7	-6.7%	-3.1%
5	92.8	-5.6%	1.0%
6	92.7	-3.4%	3.4%
7	89.9	-4.3%	4.1%
8	92.4	-1.4%	4.4%
9	89.0	-0.6%	5.8%
10	88.9	0.4%	6.2%
11	89.7	4.0%	5.4%
12	92.6	3.0%	-0.7%
13	90.9	1.1%	-7.0%
14	89.9	0.5%	-5.8%
15	92.1	-3.2%	0.1%
16	88.9	-1.7%	-6.3%

**2700K** | Rf: 87.7 | Rg: 96.1

Color Vector Graphic

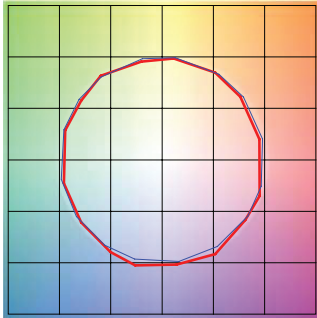


■ Test ■ Reference

HUE BIN	Rf	GRAPHIC SHIFTS %	
		CHROMA	HUE
1	88.0	-4.3%	2.6%
2	91.6	-2.4%	2.0%
3	93.7	-1.4%	1.9%
4	88.9	-5.6%	-3.1%
5	92.3	-5.5%	-0.5%
6	92.9	-3.5%	0.1%
7	84.5	-7.5%	4.6%
8	90.8	-3.0%	4.4%
9	84.5	-1.3%	8.3%
10	83.9	2.0%	9.8%
11	87.2	5.3%	7.1%
12	89.2	5.4%	-2.6%
13	88.7	0.3%	-7.8%
14	86.8	1.7%	-9.3%
15	87.6	-5.4%	-1.3%
16	83.6	-3.3%	-9.5%

**3000K** | Rf: 88.1 | Rg: 99.7

Color Vector Graphic

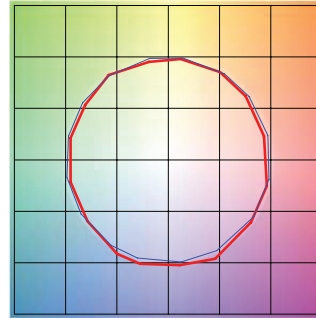


■ Test ■ Reference

HUE BIN	Rf	GRAPHIC SHIFTS %	
		CHROMA	HUE
1	92.5	-3.1%	0.3%
2	93.3	-2.3%	1.9%
3	90.9	-0.8%	3.9%
4	94.3	-1.1%	1.4%
5	92.5	-2.6%	1.5%
6	96.4	1.2%	-0.3%
7	92.6	-2.5%	-0.0%
8	96.9	-1.4%	0.2%
9	92.3	-1.8%	4.3%
10	86.6	-0.7%	7.0%
11	86.5	2.4%	8.2%
12	89.8	5.9%	1.7%
13	93.9	2.6%	-2.7%
14	89.4	5.1%	-5.8%
15	90.1	-0.1%	-4.7%
16	86.5	0.3%	-9.7%

**3500K** | Rf: 86.1 | Rg: 95.5

Color Vector Graphic

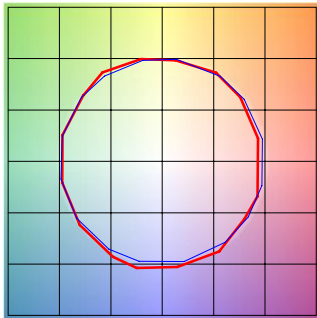


■ Test ■ Reference

HUE BIN	Rf	GRAPHIC SHIFTS %	
		CHROMA	HUE
1	90.8	-3.8%	0.3%
2	92.3	-2.8%	2.1%
3	89.7	-1.0%	4.3%
4	92.6	-1.4%	1.7%
5	91.8	-3.1%	1.3%
6	96.2	0.8%	-0.4%
7	92.9	-3.2%	0.2%
8	94.3	-2.5%	1.5%
9	90.4	-2.5%	5.2%
10	84.3	-1.4%	9.5%
11	83.1	3.5%	9.8%
12	88.2	4.8%	3.4%
13	94.0	2.7%	-2.0%
14	88.7	5.9%	-5.8%
15	88.7	0.7%	-5.9%
16	86.8	-0.7%	-6.7%

**3000D** | Rf: 89.8 | Rg: 101.4

Color Vector Graphic



■ Test ■ Reference

HUE BIN	Rf	GRAPHIC SHIFTS %	
		CHROMA	HUE
1	90.2	-4.2%	1.5%
2	90.9	-2.0%	3.7%
3	87.9	0.8%	5.5%
4	92.1	-0.9%	0.6%
5	93.0	1.5%	1.6%
6	92.2	3.9%	-0.2%
7	92.1	-0.3%	-2.0%
8	96.7	0.0%	-1.2%
9	92.5	-0.6%	3.7%
10	88.3	1.1%	7.0%
11	87.2	4.1%	7.4%
12	87.2	6.7%	-1.0%
13	88.2	3.8%	-7.2%
14	85.3	4.3%	-9.9%
15	90.9	-2.2%	-3.6%
16	83.4	-2.2%	-11.2%

PROJECT	FIXTURE TYPE	DATE
---------	--------------	------