



REVEAL WALL WASH 2, RGB & RGB+W

24VDC PLASTER-IN LED SYSTEM



DESIGNED BY GREGORY KAY | MADE IN AMERICA | PATENT PENDING

REV 05.01.24



DESCRIPTION

Reveal Wall Wash 2, a 24VDC linear LED system, features a shallow, plaster-in aluminum extrusion, that is no thicker than drywall. The system may be secured directly to studs without joist modification and plasters into 5/8" thick drywall or between studs with mounting clips provided. Must be mounted 24" away from the projected wall. Available in 5 or 6 watts per foot, in RGB and RGB+White, and sold in 1' increments up to 20' (**5WDC**) and 15' (**6WDC**). PureEdge's RGB+White Soft Strip (**SS6**) provides dynamic color effects with red, green, blue plus white. Now offered with four choices of White; 2000K and special order in 2700K, 3000K, and 4000K. Our color-changing LED strip provides bright, continuous light, our focus on chromacity quality provides a balanced output across the color gamut, allowing the creation of millions of beautiful colors and pure white. Field cuttable to any length. Coordinate installation with electrician and drywall contractors. Includes a 5 year pro-rated warranty.

DESIGN NOTE

Reveal Wall Wash 2 is an ideal wall washing solution for contemporary spaces. Multiple runs of channel mount seamlessly together and may wrap inside corners to wash surrounding walls with uniform controlled illumination.

MAXIMUM LENGTHS BEFORE RE-FEEDING

5WDC - 5 watts per foot - 20'
6WDC - 6.3 watts per foot - 16'

FINISHES



Satin Aluminum **SA**
White **WH**

LAMP

- RGB+W: Dynamic Red, Green, Blue plus 2000K White. Special order in 2700K, 3000K, and 4000K
- 50,000 Hour Lamp Life

REMOTE POWER SUPPLIES*, DIMMERS & CONTROLS (SOLD SEPARATELY)

- [DMX Dynamic Color Changing](#)
- [Controllers](#)

*In-Wall Mounting Kits available for select power supplies

INCLUDED COMPONENTS

Junction Box, Adjustable Mounting Bars, Reveal Wall Wash Channel(s), Power End Cap, Junction Box Cover, Take-Up Box, Drywall Screws, LED Soft Strip, and Lens(es)

APPLICATIONS

Designed for any Indoor space with drywall, including Damp locations. Ideal applications in Residential, Commercial, Retail, and Hospitality environments.

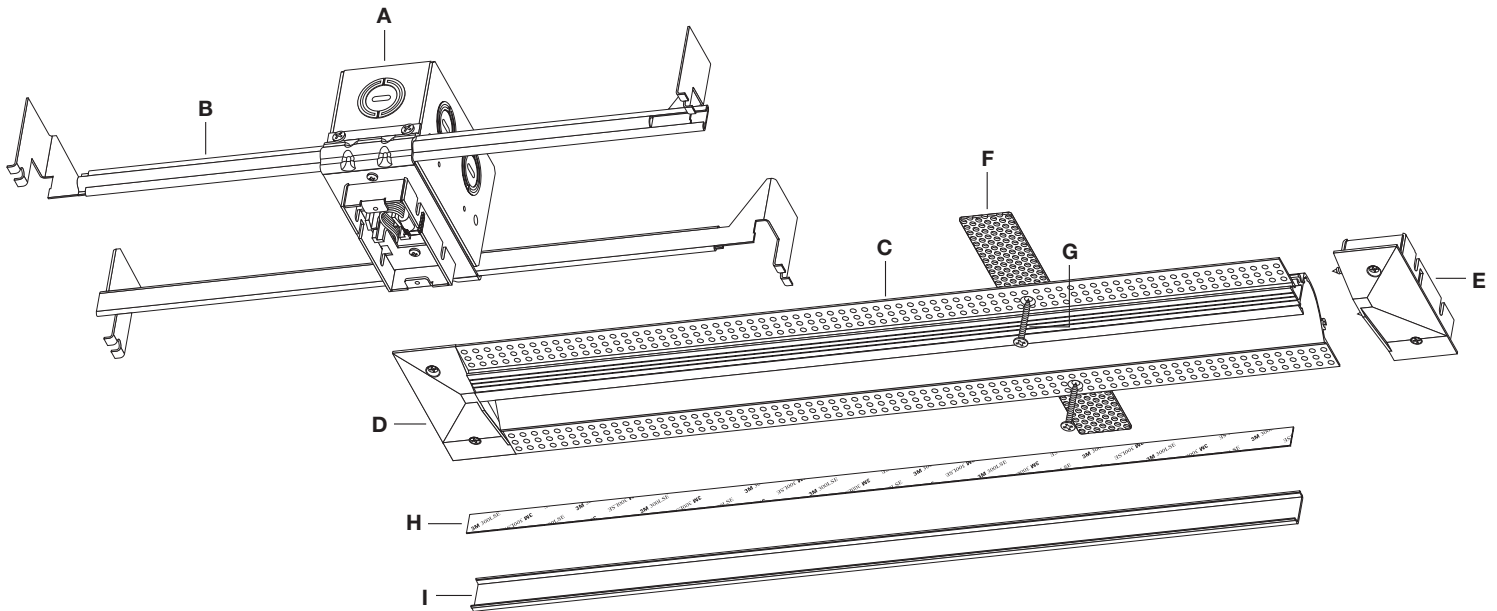
COMPLIANCE

ETL, Class 2, Damp Location, Made in USA. 1-hour fire rating uses Two pieces of Type X Gypsum board, for 2-Hour fire rating use Three pieces of Type X Gypsum board.

System	Watts Per Foot	Length in Feet	Color Temperature	Reflector Finish
RVWW2	5WDC	20FT	RGB	SA
RVWW2 Reveal Wall Wash 2	5WDC 4.4 Watts 6WDC 6.3 Watts	1-20FT 5WDC 1-16FT 6WDC	RGB Red, Green and Blue (5W only) RGB20K Red, Green, Blue + White 2000K RGB27K Red, Green, Blue + White 2700K Special Order RGB30K Red, Green, Blue + White 3000K Special Order RGB40K Red, Green, Blue + White 4000K Special Order	SA Satin Aluminum WH White

PROJECT	FIXTURE TYPE	DATE
---------	--------------	------

INCLUDED COMPONENTS



A. JUNCTION BOX

Mounts behind drywall with Adjustable Mounting Bars, and includes a drywall template for accurate installation. Low Voltage 24VDC wires from Remote Power Supply connect to LED wires inside box. Junction Box opening is concealed with the Reveal Junction Box cover and is required at the beginning of each run.

B. ADJUSTABLE MOUNTING BARS

Provide flexibility for mounting in a variety of spaces.

C. REVEAL WALL WASH 2 CHANNEL

0.5" deep extrusion houses a single row of commercial-grade White or Dynamic Color Changing LED Soft Strip.

D. POWER END CAP WITH COVER

Provides a connection area for 24VDC wires at beginning of run where LED Soft Strip enters channel.

E. TAKE UP BOX

Conceals Junction Box opening. Required at the beginning of each run.

F. DEAD END CAP PLATE

Provides a finished look and prevents light leak at feed-end of run where LED Soft Strip exits channel.

G. TAKE-UP BOX

Prevents dark spots at end of run by tucking excess LED Soft Strip safely behind wall.

H. DRYWALL SCREWS

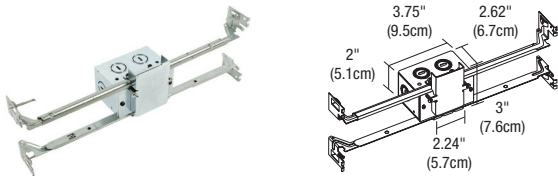
Secure channel to drywall and stud.

I. LED SOFT STRIP

(Back Side shown) commercial-grade White or Dynamic Color Changing LED Soft Strip. See lamp data on for additional details.

JUNCTION BOX ROUGH-IN COMPONENT

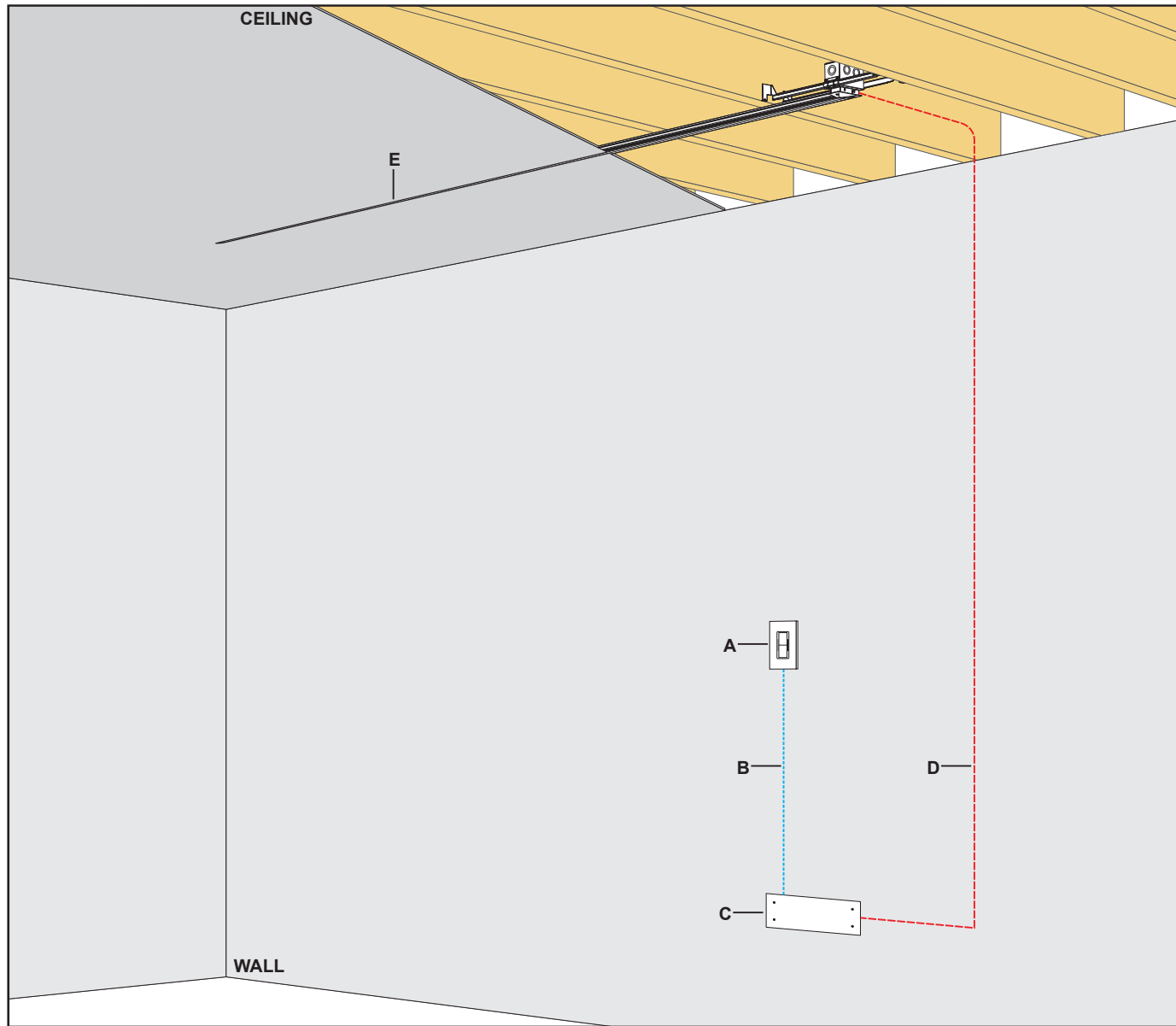
One Junction Box is included with Reveal Wall Wash. Order additional Junction Box separately to rough-in electrical wiring before drywall installation. Quick shipment available.



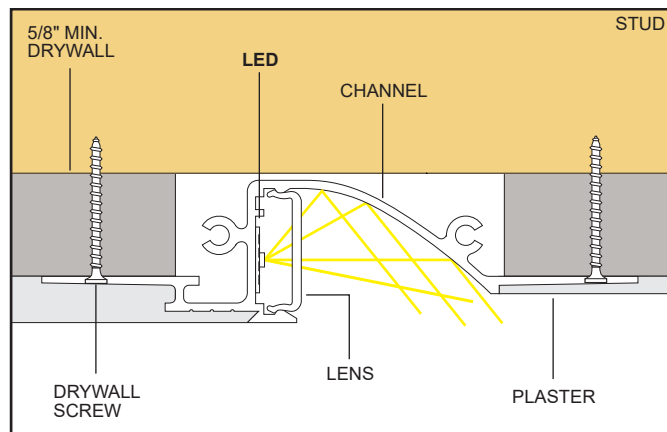
System	Size	Component
RVWW2	1RE	JBOX
RVWW2 Reveal Wall Wash 2	1RE 1" Rectangle	JBOX Junction Box

PROJECT	FIXTURE TYPE	DATE
---------	--------------	------

INSTALLATION



- A. DIMMER OR SWITCH
- B. 120VAC WIRING TO 120V/24VDC REMOTE POWER SUPPLY, FOR IN-WALL MOUNTING KIT
- C. IN-WALL MOUNTING KIT
- D. 24VDC, CLASS 2 WIRING
- E. REVEAL WALL WASH 2 SYSTEM



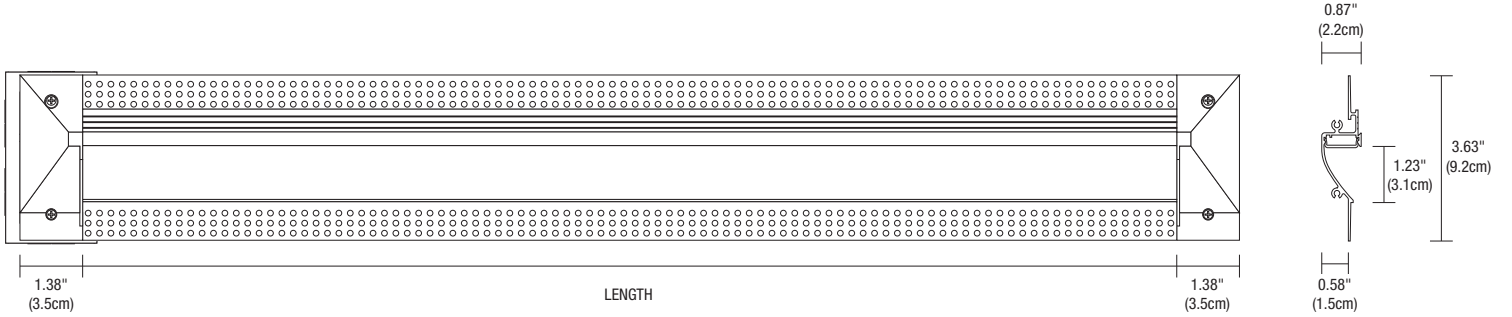
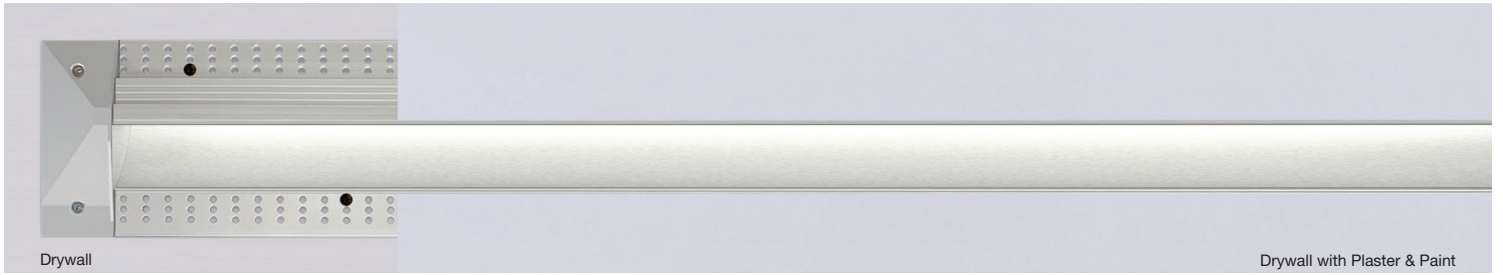
 DIRECTION OF LIGHT

PROJECT	FIXTURE TYPE	DATE
---------	--------------	------



REVEAL WALL WASH 2, RGB & RGB+W

24VDC PLASTER-IN LED SYSTEM



WALL WASH DIRECTION OF LIGHT



PROJECT		FIXTURE TYPE		DATE	
---------	--	--------------	--	------	--