

GENNA WALL WASH

LED SQUARE, 3.5" APERTURE



DESCRIPTION

Specification-grade recessed Wall Wash fixture, plasters into drywall ceiling. Trim offers no-glare aperture and ultra uniform field of light to top of the wall. Mounts at 32" center to center and 40" from center to the wall. Included LED lamp is 3000K, 98+ CRI, R9 value 98, 24.7 total watts. Housing includes 120V constant current driver; IC and Airtight making it suitable for Remodel or New Construction, and features a removable top for servicing from above. Aluminum Plaster Plate, primed and mounted flush with ceiling. Self leveling, telescoping Mounting Bars extend to allow mounting between studs 16"-24", and designed to accommodate ceiling thickness from 0.5"-1.25". Precision die-cast Aluminum with 3.5" aperture; flangeless, flush Square Trim fits into the Plaster Plate with a precision snap-fit. The frosted, prismatic Lens to provide a smooth beam pattern. Coordinate installation with electrician and drywall contractors.

APPLICATIONS

Indoor damp or dry locations only. Wall Wash lighting in Residential and Commercial, such as Hallways

LAMPING

The average LED Life is 50,000 hours.

| VERSION | TOTAL WATTS | LUMENS PER WATT | LUMENS PER FOOT | 98+ CRI 30K |
|---------|-------------|-----------------|-----------------|-------------|
| 3000K | 24.7 | 71 | 1823 | • |

Lumen values are based on the 3000K LED test with Satin Aluminum finish.

TRIM FINISHES



COMPONENTS (INCLUDED)

Housing, Plaster Plate, Power Supply, Electronic Ballast, LEDs, Mounting Hardware, Reflector, Lens, and Trim

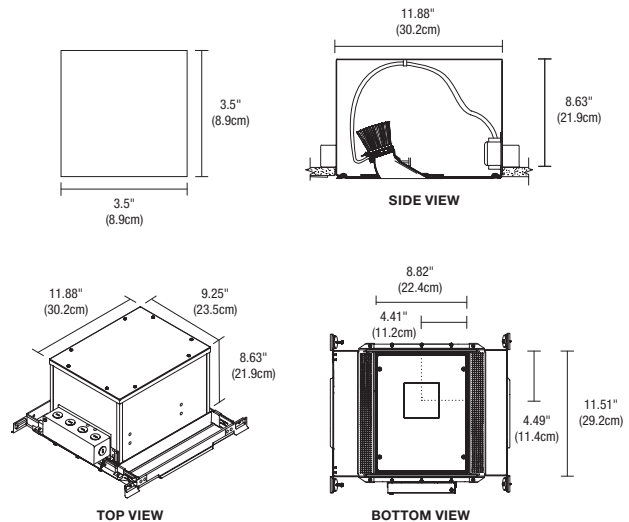
DIMMING & CONTROLS (SOLD SEPARATELY)

Electronic Low Voltage Dimming (ELV)

WEIGHT

23 lbs. (10.43kg)

LABELS



120V Electronic

Choose Trim Finish

Collection IC Housing

Function Plaster Plate

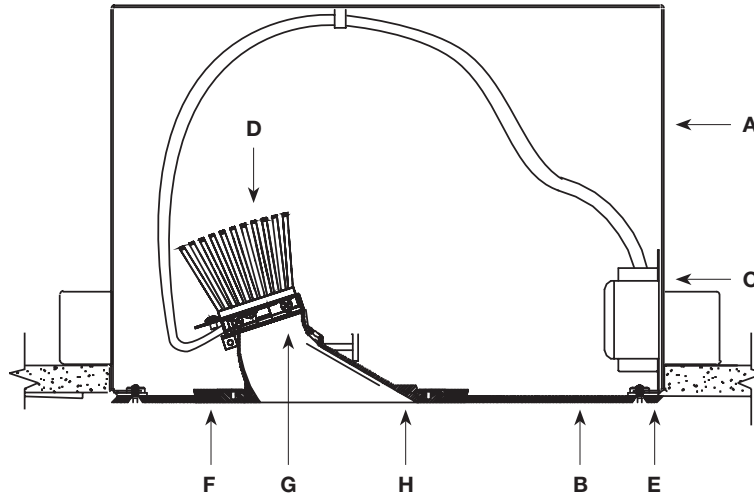
3.5" Aperture/Trim Finish

Color Temperature



| | | |
|---------|--------------|------|
| PROJECT | FIXTURE TYPE | DATE |
|---------|--------------|------|

INCLUDED COMPONENTS



A. HOUSING

Includes 120V constant current driver. IC and Airtight, suitable for Remodel or New Construction. Features a removable top for servicing from above.

B. PLASTER PLATE

11 7/8" (301mm) x 9 1/4" (235mm) x 1/8" (3mm) Aluminum Plaster Plate, primed and mounted flush with ceiling. Apply Durabond® ceiling compound at the perimeter of the housing. Use the supplied ultra-thin FibaTape®. This prevents chipping and cracking at the trim aperture, which is common with other trimless fixtures.

C. ELECTRONIC BALLAST

120VAC (standard), 230VAC, or 277VAC input in accordance with ANSI specification number M156. 640 mA constant current driver.

D. LAMP

Integrated 3000K, 95+ CRI, LED; R9 Value 98; 24.7 Total Watts.

E. MOUNTING

Self Leveling Telescoping Mounting Bars extend to allow mounting between studs 16"-24" (406-609mm). O.C. mounting hardware is suitable for New and Remodel commercial or residential drywall construction. Designed to accommodate ceiling thickness from 1/2" (13mm) to 1 1/4" (32mm). Notch marking for laser alignment.

F. REFLECTOR

Precision cut Aluminum in Satin Aluminum, Satin Bronze, Satin Black, or White

G. LENS

Supplied with Frosted Prismatic Lens to provide a smooth beam pattern.

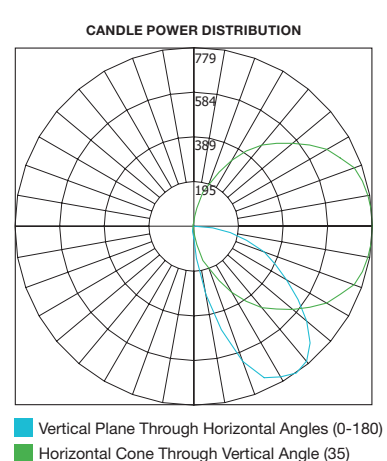
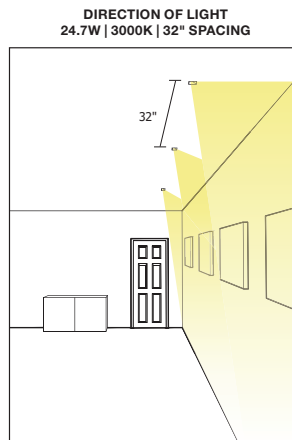
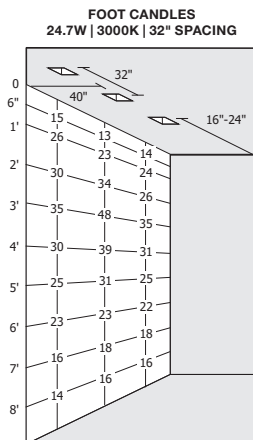
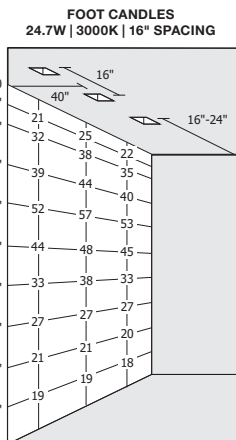
H. TRIM

Precision die-cast Aluminum with 3 1/2" (89mm) aperture. Flangeless, flush, Square Trim fits into the Plaster Plate with a precision snap-fit.

*Durabond® brand is a trademark of USG Corporation.

**FibaTape® brand is a trademark of Saint-Gobain ADFORS.

LAMP DATA



| | | |
|---------|--------------|------|
| PROJECT | FIXTURE TYPE | DATE |
|---------|--------------|------|