

AURORA NON RGB HOUSINGS

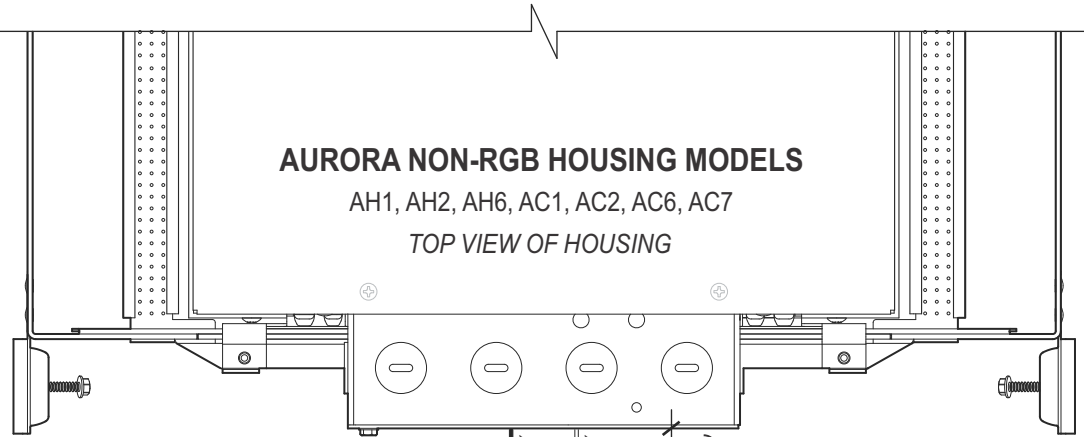
WIRING TERMINATION OVERVIEW

PLEASE REFER TO COMPLETE
INSTALLATION INSTRUCTIONS ENCLOSED
IN HOUSING PACKAGING BOX OR VISIT
WWW.PURELIGHTING.COM

AURORA NON-RGB HOUSING MODELS

AH1, AH2, AH6, AC1, AC2, AC6, AC7

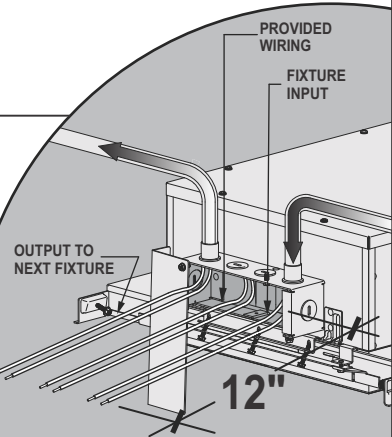
TOP VIEW OF HOUSING



TO POWER SUPPLY

TO POWER SUPPLY

ELECTRICIAN MUST LEAVE 12"
OF POWER WIRES PROVIDED INSIDE
JUNCTION BOX



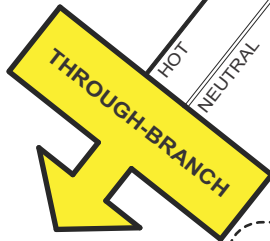
OUTPUT TO
NEXT FIXTURE

PROVIDED
WIRING
FIXTURE
INPUT

12"

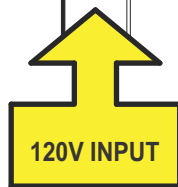


ELECTRICIAN MUST LEAVE 12"
OF ALL POWER WIRES IN
JUNCTION BOX FOR FUTURE
MAINTENANCE THROUGH THE
FIXTURE APERTURE.



HOT
NEUTRAL

HOT
NEUTRAL



FROM CONTROLLER OR
PREVIOUS FIXTURE

PLEASE REFER TO COMPLETE
INSTALLATION INSTRUCTIONS
ENCLOSED IN HOUSING
PACKAGING BOX OR VISIT
WWW.PURELIGHTING.COM

