



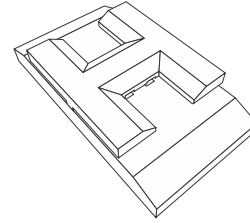
1718 W. Fullerton Chicago, IL 60614  
 Ph: 773.770.1195 • Fax: 773.935.5613  
 www.PureEdgeLighting.com • info@PureEdgeLighting.com  
 © 2016 PureEdge Lighting. All Rights Reserved.

## Installation Instructions for **Soft Strip Solderless Snap & Light Straight Joiner**

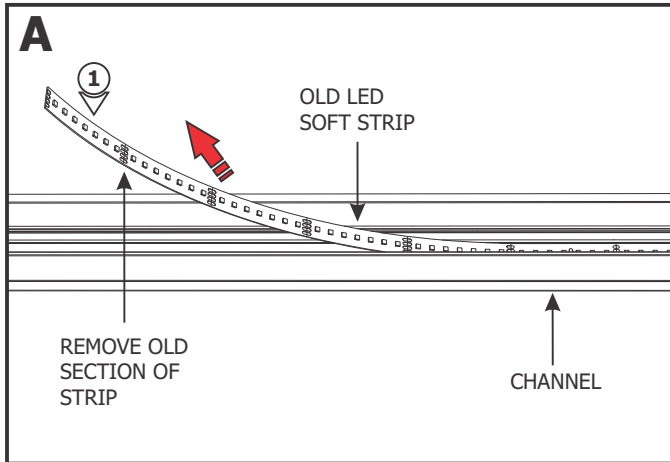
### IMPORTANT INFORMATION

- This instruction shows a typical installation.

**SAVE THESE INSTRUCTIONS!**

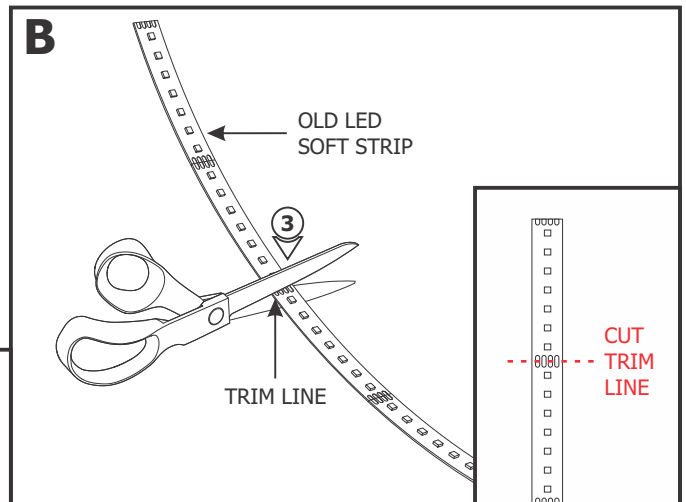


### Replacing a Section of LED Soft Strip



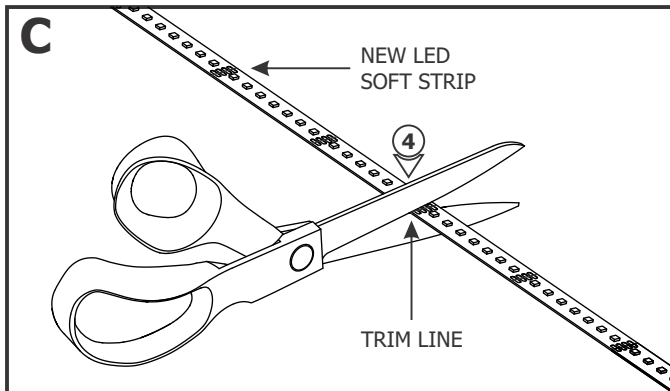
**NOTE:** Avoid bending the soft strip in sharp vertical angles which may damage the LEDs. Soft strips do not bend horizontal. Use proper directional connectors for horizontal turns.

- 1: Carefully pull existing old section of soft strip completely off the channel.
- 2: If there is soft strip residue on the channel, apply in moderation WD-40, or Goo Gone, or a mixture of warm water and lemon oil to the corner of a clean, dry towel. Gently buff the area containing the adhesive residue with small circular motion until it is completely removed.

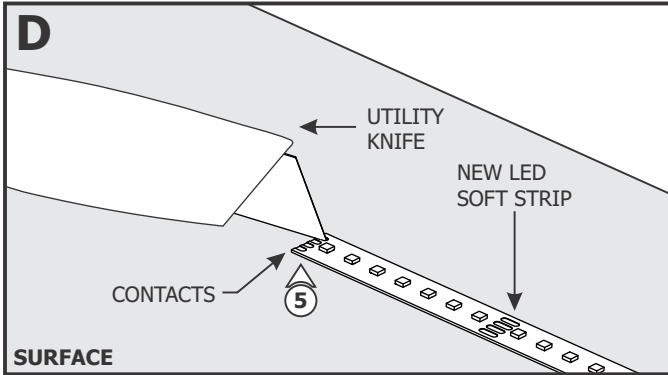


**NOTE:** Do not trim the strip at unmarked sections which may cause that section of the strip to not light up.

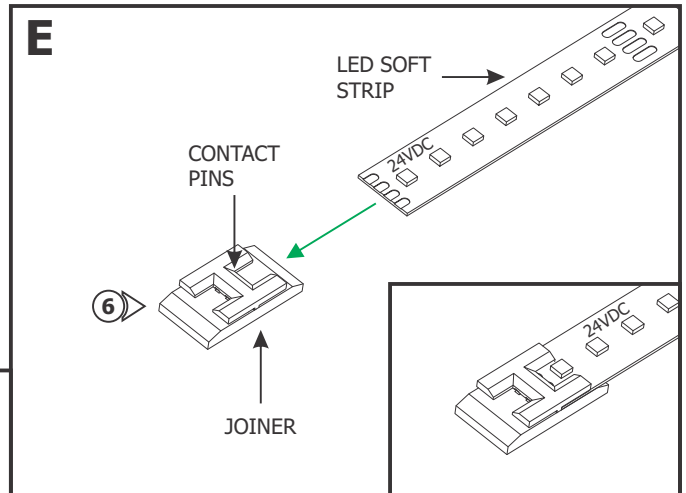
- 3: Trim **ONLY** on the dashed cuttable section of the old soft strip with a sharp scissor.



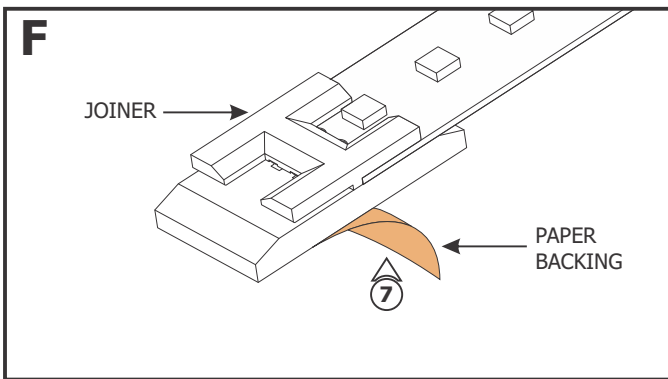
- 4: Determine the amount of new LED soft strip needed. Trim the strip at the marked line above the contacts with a sharp scissor.



**5:** Place the soft strips on a flat, stable surface. Using a utility knife, carefully scrape the protective coating from the contacts on the ends of each soft strip.

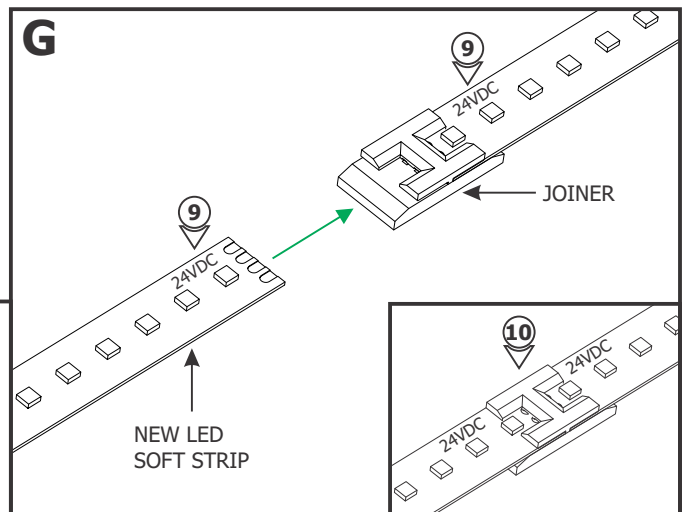


**6:** Insert the old LED soft strip completely into the Snap & Light Straight Joiner. Ensure the soft strip contacts align fully with the contact pins. Push the strip completely into the contact pins.



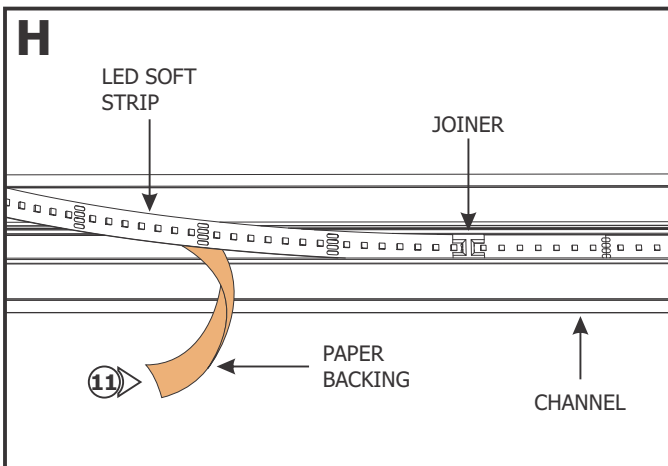
**7:** Remove the paper backing from the Snap & Light Straight Joiner, making sure not to remove the tape from the joiner.

**8:** Firmly press down the Snap & Light Straight Joiner onto the channel.



**9:** Align the new LED soft strip with the old soft strip so that the +24VDC markings match.

**10:** Insert the new soft strip completely into the Snap & Light Straight Joiner. Ensure the soft strip contacts align fully with the contact pins. Push the strip completely into the contact pins.



**11:** Carefully remove the backing from the new LED soft strip, make sure not to remove the tape from the soft strip. Firmly press down the adhesive portion of the soft strip onto the channel while removing the rest of the backing, making sure there are no air bubbles that can cause surface irregularities.