



1718 W. Fullerton Chicago, IL 60614  
 Ph: 773.770.1195 • Fax: 773.935.5613  
 www.PureEdgeLighting.com • info@PureEdgeLighting.com  
 © 2016 PureEdge Lighting. All Rights Reserved.

# Installation Instructions for TruLine .5A L-Picture Frame Power Channel Connector

TL.5A\_-LP\_-

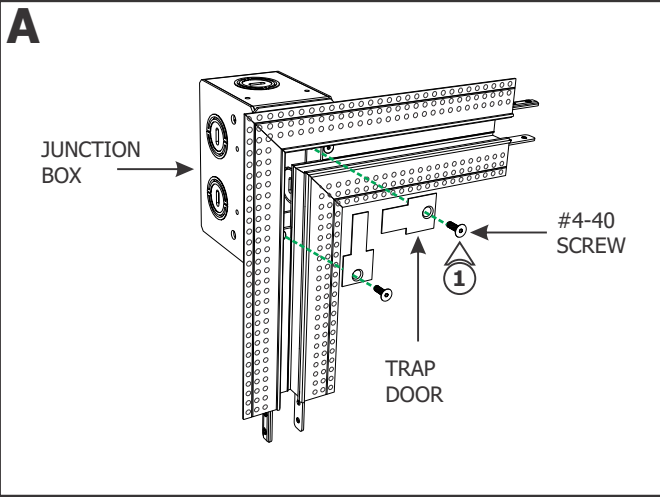
## IMPORTANT INFORMATION

- This instruction must be used concurrently with other TruLine .5A BIY installation instructions.
- This product is wall or ceiling mount.
- This instruction shows a typical installation.

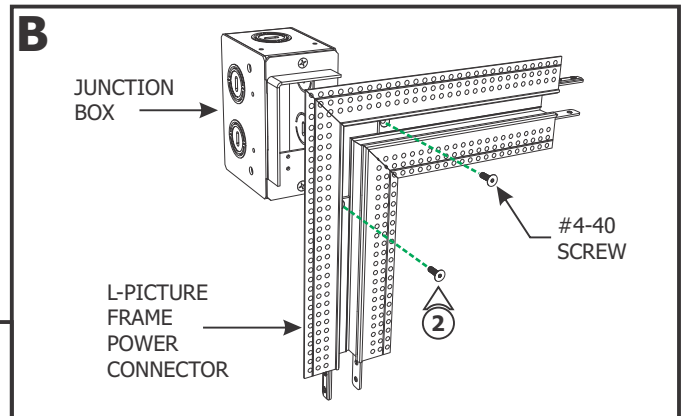
**SAVE THESE INSTRUCTIONS!**



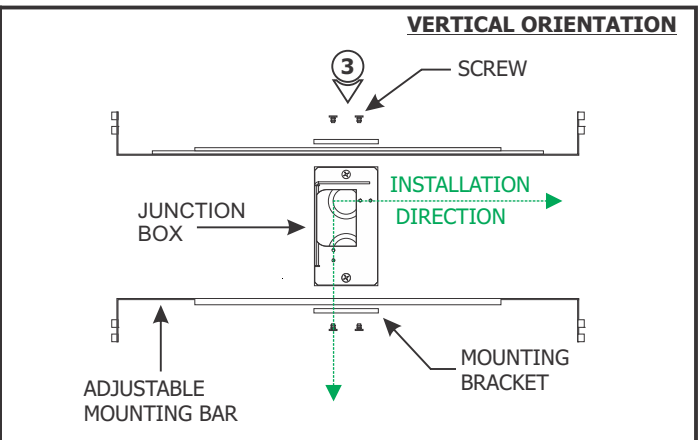
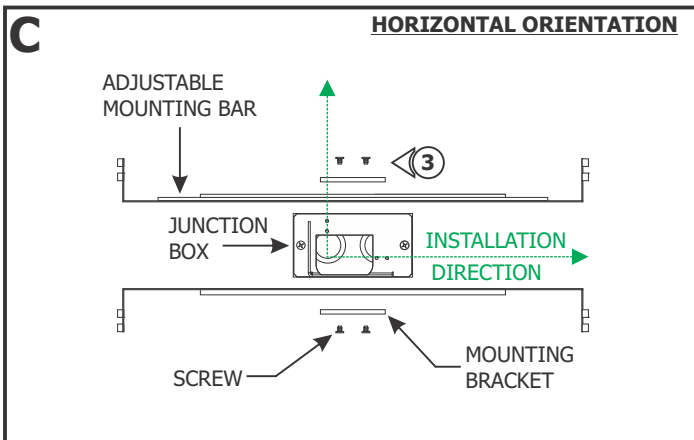
## Section One: Install the Junction Box



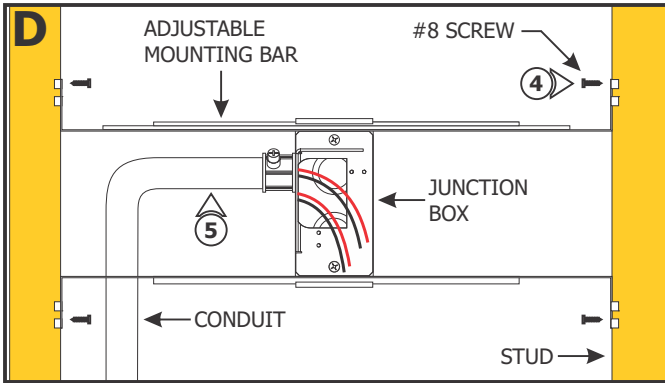
**1:** Remove the #4-40 screws from the junction box to remove the trap door from the assembly using a 1/16" Allen wrench.



**2:** Remove the #4-40 screws to remove the L-Picture Frame Power Connector from the junction box using a 1/16" Allen wrench.



**3:** Mount each adjustable mounting bar to one side of the junction box and secure them with the mounting brackets and two Phillips screws provided.

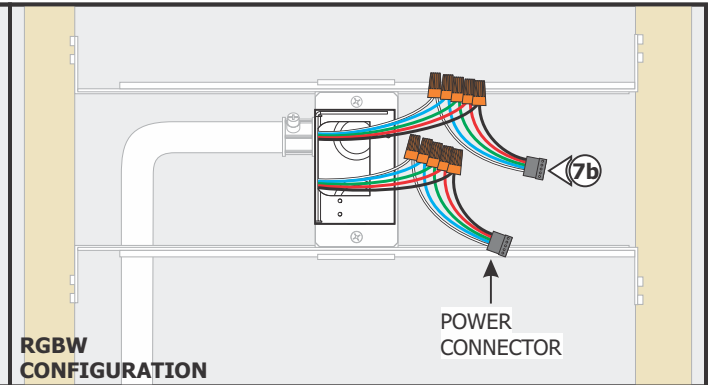
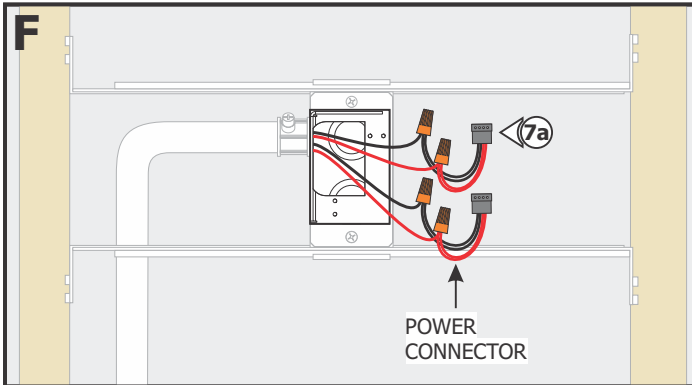
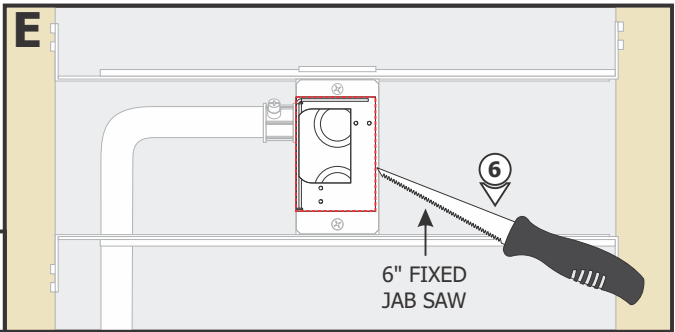


**NOTE:** The adjustable mounting bars mount to studs that are spaced 15" to 24" apart. If the span needs to be shorter than 15", then break the bar arms from dedicated lines.

**4:** Place the lips on the adjustable mounting bars against the studs. Secure the adjustable bars to the studs with the #8 screws.

**5:** Install conduit(s) (if required by local electrical code) and run the 24VDC low voltage wires coming from the power supply or DMX controller to the junction box. Refer to the instructions provided with the power supply.

**6:** Cut a section of drywall using a 6" fixed jab saw or other appropriate tool to expose the mounting plate area. Install the drywall.



**NOTE:** Remote power supply wires must be present in junction box. Refer to instructions provided with power supply.

**NOTE:** L-Picture Frame Power Channel could feed the strip one or both directions. When using to feed one direction, discard the other connector.

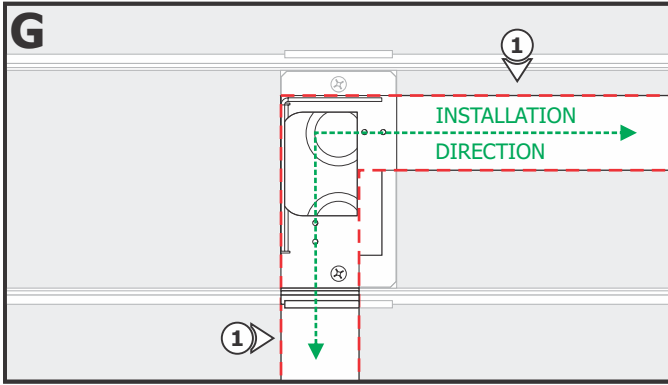
**7a:** Connect the red low voltage wire of the power supply to the red wires of the power connector with a wire nut. Connect the black low voltage wires of the power supply to the black wires of the power connector with a wire nut.

**7b:** For RGBW Configurations, connect the black, red, green, blue and white wires of the DMX controller respectively to the black, red, green, blue, and white wires of the power connector with wire nuts.

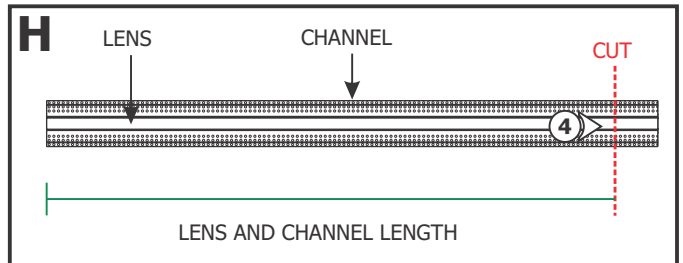
**8:** Place all wire nut connections inside the junction box.

**CAUTION:** Unroll the entire LED strip from the reel. Use the power connectors to power the strip making sure there is no outage before continuing with the installation (refer to Sections Three to Five for proper connections). Afterwards, carefully roll the LED strip loosely back into the reel.

## Section Two: Prepare and Install the L-Picture Frame Power Connector



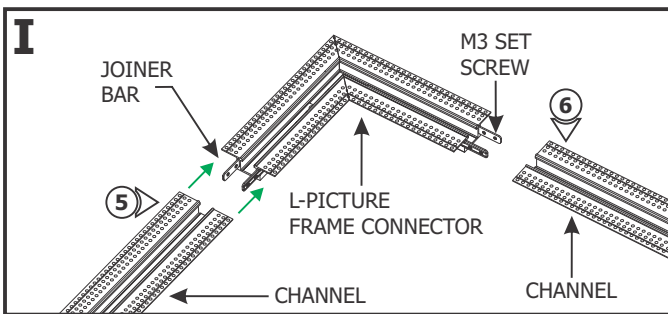
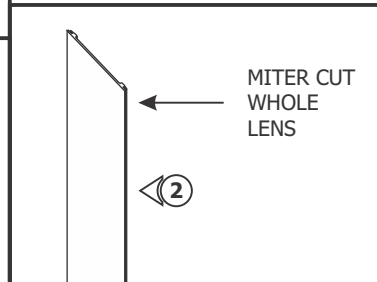
**1:** Mark and cut out the area where the installation will be located using the junction box opening as a guide (MIN 1.05").



**2:** To avoid seams and light leaks, use the precut lenses that were provided with the L-Picture Frame Power Connector as a guide to miter cut the whole lens.

**3:** Discard the precut lenses.

**4:** Refer to Section One in the TruLine .5A Channel and Lens instruction to measure and cut the channel and lens.

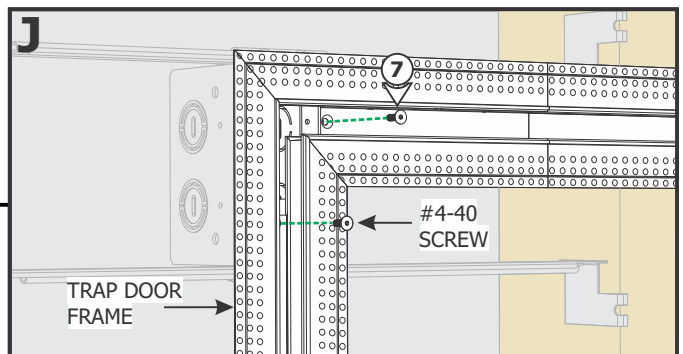


**5:** Slide a channel onto the joiner bars and tighten the remaining M3 set screws with a 1.5mm Allen wrench.

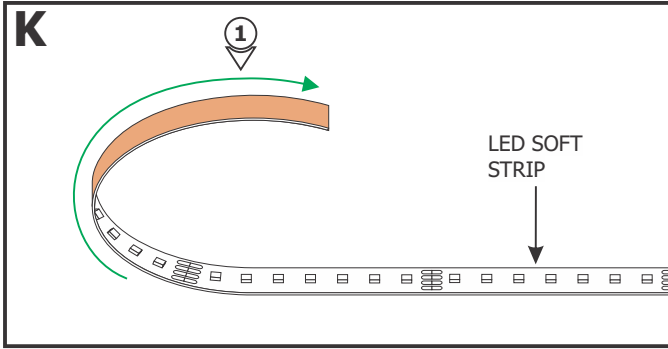
**6:** Repeat step 5 for the other end of the L-Picture Frame Power Connector.

**7:** Attach the assembled trap door frame to the junction box using the #4-40 screws.

**NOTE:** Refer to Section Three in the TruLine .5A Channel and Lens instructions to plaster before continuing.



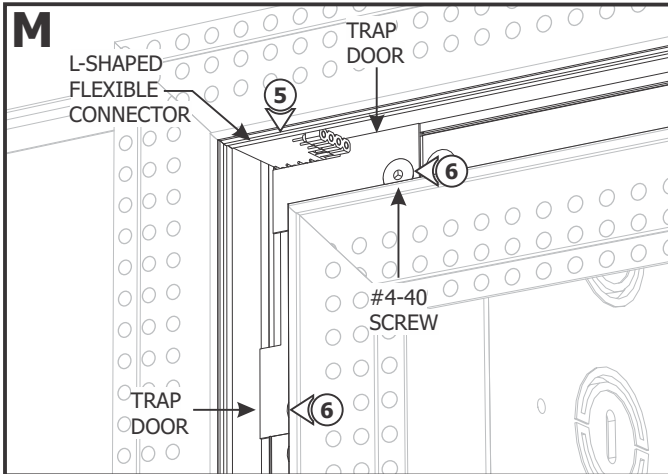
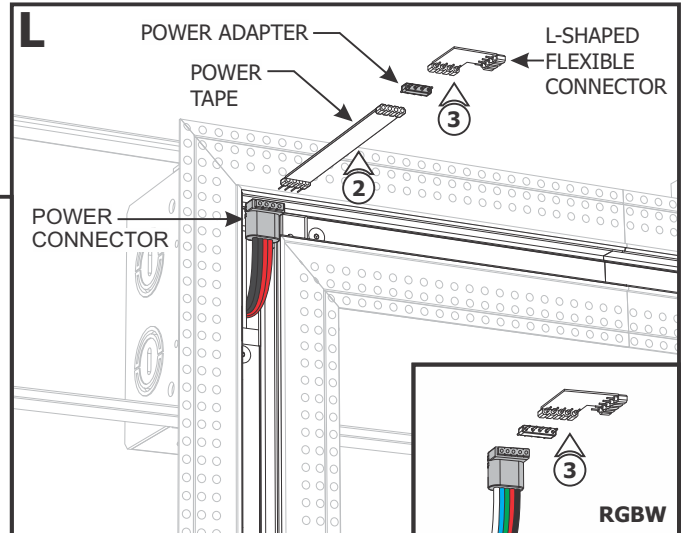
## Section Three: Install the LED Soft Strip - Single Feed (side mount)



**1:** Gently uncoil the LED Soft Strip before applying to the channel otherwise the strip may lift off of the surface.

**NOTE:** Omit step 2 for RGBW Configurations. Blank Soft Strip Power Tape is not used.

- 2:** Connect the Blank Soft Strip Power Tape into the power connector.
- 3:** Insert the Power Adapter and then connect the L-Shaped Flexible Power Connector to the Power Adapter.
- 4:** Place the power connector and Power Tape inside the junction box.



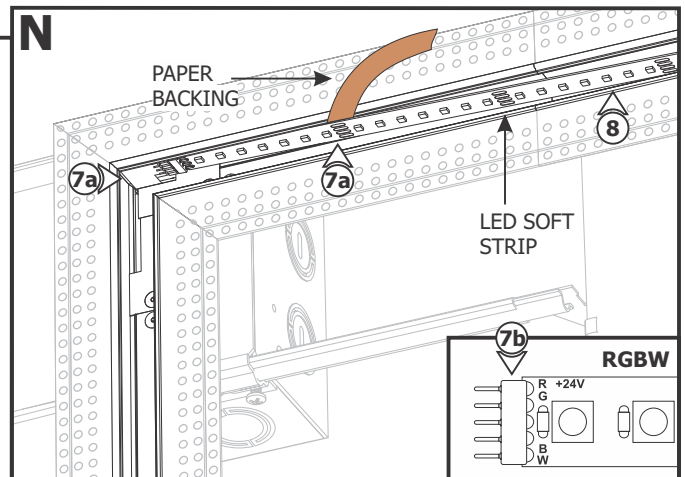
**5:** Place the power connection into the channel where the LED soft strip will be installed.

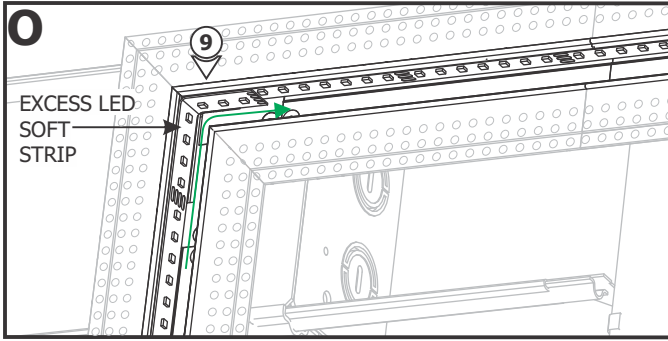
**6:** Replace the trap doors and secure with the #4-40 screws using a 1/16" Allen wrench.

**7a:** Carefully remove the backing from the LED Soft Strip, making sure not to remove the tape. Line up the red wire side of the power connector with the "+24VDC" marking on the LED Soft Strip. Push the male connector of the LED Soft Strip into the L-Shaped Flexible Power Connector.

**7b:** For RGBW Configurations, align the RGBW markings on the LED Soft Strip with the corresponding wires of the power connector. Push the male connector of the LED Soft Strip into the power connector.

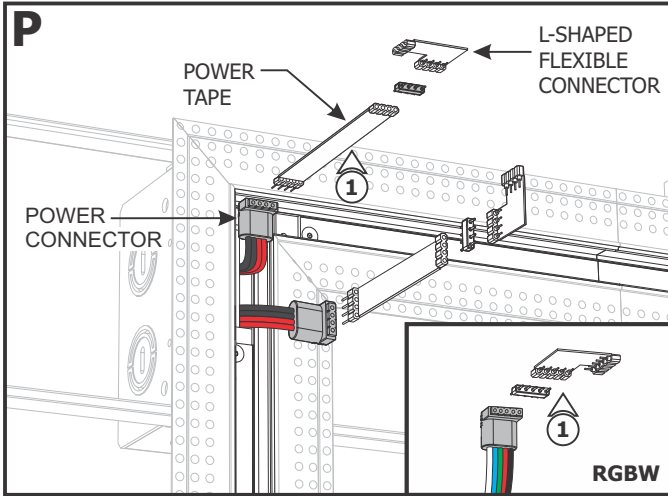
**8:** Firmly press down the adhesive portion of the LED Soft Strip onto the side mount channel surface while removing the rest of the backing, making sure there are no air bubbles that can cause surface irregularities.



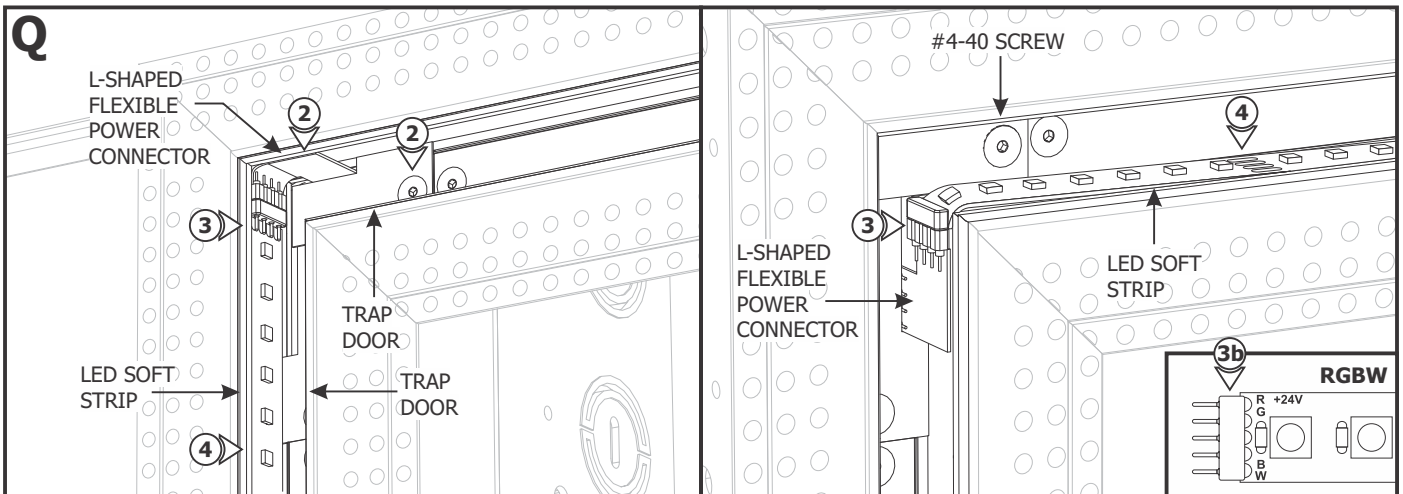


**9:** Trim excess LED Soft Strip ONLY at dashed cutting lines. Overlap excess LED Soft Strip at power connection to avoid dark spots in installation.

## Section Four: Install the LED Soft Strip - Dual Feed (side mount)



**1:** Refer to steps 1 through 4 in Section Three to uncoil the LED Soft Strip and connect each power connector to the Blank Power Tape (not used with RGBW), Power Adapter and L-Shaped Flexible Connector.



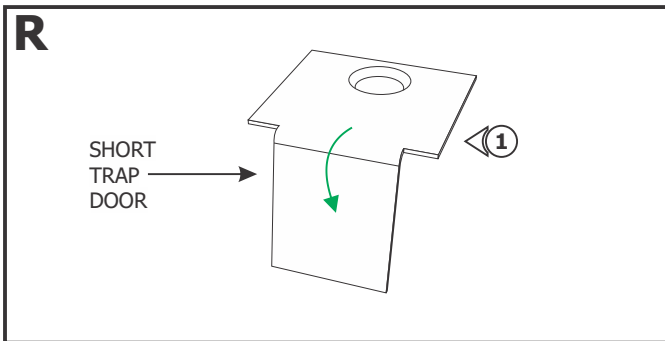
**2:** Place the power connection into the channel where the LED Soft Strip will be installed. Replace the trap doors and secure with the #4-40 screws using a 1/16" Allen wrench.

**3a:** Carefully remove the backing from the LED Soft Strip, making sure not to remove the tape from the LED Soft Strip. Line up the red wire side of the power connector with the "+24VDC" marking on each LED Soft Strip. Push the male connector of the LED Soft Strip into the L-Shaped Flexible Power Connector.

**3b:** For RGBW Configurations, align the RGBW markings on the LED Soft Strip with the corresponding wires of the power connector. Push the male connector of the LED Soft Strip into the power connector.

**4:** Firmly press down the adhesive portion of the LED Soft Strip onto the channel surface while removing the rest of the backing, making sure there are no air bubbles that can cause surface irregularities.

## Section Five: Install the LED Soft Strip (bottom mount)



**NOTE:** This product can be used as a combination of side and bottom mount.

**1:** Use pliers to bend the section of the short trap door cover ~90° to allow for access to power connections.

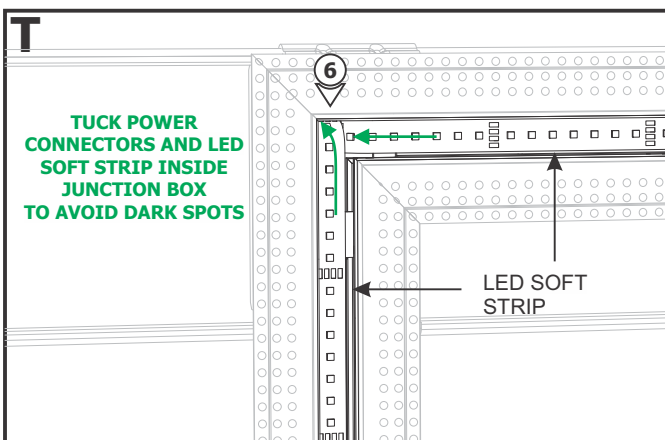
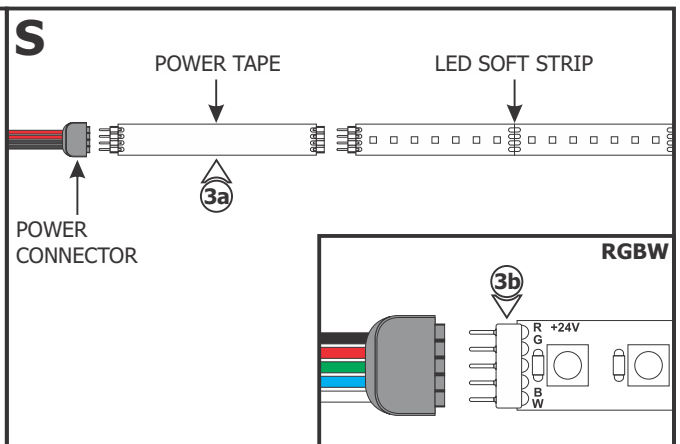
**2:** Refer to step 1 in Section Three to uncoil the LED Soft Strip.

**3a:** Connect the Blank Soft Strip Power Tape to the power connector. Line up the red wire side of the power connector with the "+24VDC" marking on the LED Soft Strip. Push the pins of the LED Soft Strip into the power connector.

**NOTE:** RGBW Configurations, Blank Soft Strip Power Tape is not used.

**3b:** For RGBW Configurations, align the "RGBW" markings on the LED Soft Strip with the corresponding wires of the power connector. Push the pins of the LED Soft Strip into the power connector.

**4:** If necessary, repeat step 3 for the second power connector.

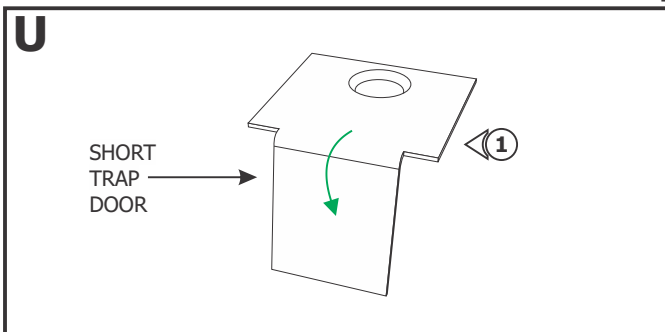


**5:** Attach the trap doors.

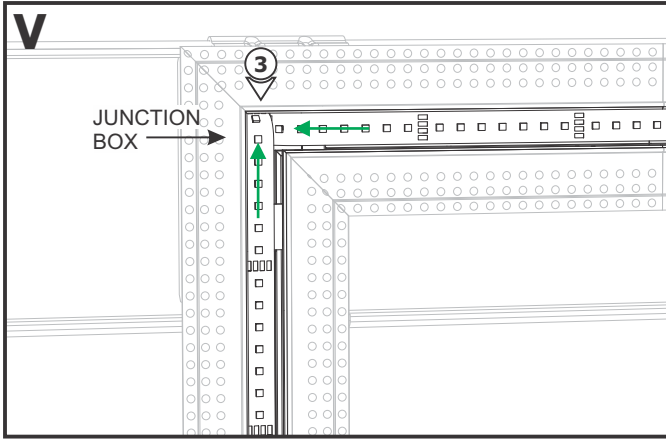
**6:** To avoid any dark spots, feed the power connector and power tape inside the junction box. If necessary, tuck the LED Soft Strip slightly inside the junction box.

**7:** Refer to step 8 in Section Three to properly place each LED Soft Strip onto the channel.

## Section Six: Alternate LED Soft Strip Installation (bottom mount)

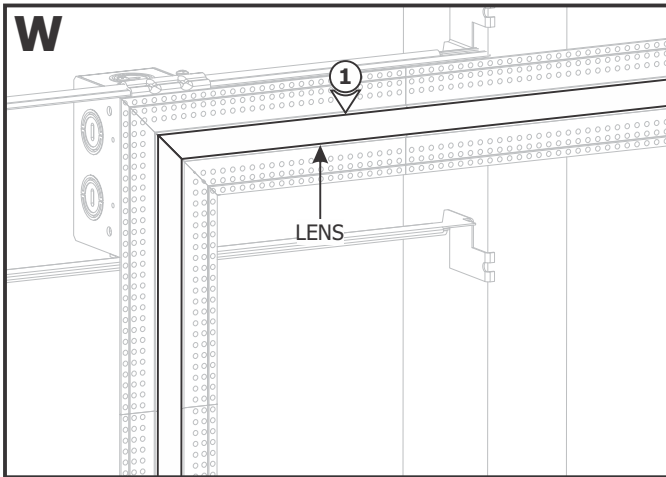


**1:** Use pliers to bend the section of the short trap door cover ~90° to allow for access to power connections.



- 2:** Attach the trap doors to the L-Picture Frame Connector with the #4-40 screws.
- 3:** Route excess LED Soft Strips from other power feeds into the junction box.

### Section Seven: Lenses



- 1:** Use the whole lenses to cover the L-Picture Frame Power Connector along with the rest of the installed channels.