



1718 W. Fullerton Chicago, IL 60614  
 Ph: 773.770.1195 • Fax: 773.935.5613  
 www.PureEdgeLighting.com • info@PureEdgeLighting.com  
 © 2016 PureEdge Lighting. All Rights Reserved.

## Installation Instructions for Truline .5A Inside Corner and Outside Corner Channel Connector

TL.5A\_-IC

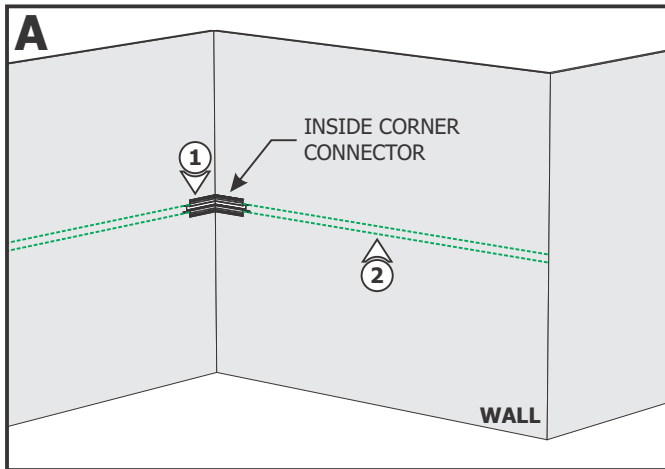
### IMPORTANT INFORMATION

- This instruction must be used concurrently with other TruLine .5A BIY installation instructions.
- This product is wall or ceiling mount.
- This instruction shows a typical installation.

**SAVE THESE INSTRUCTIONS!**

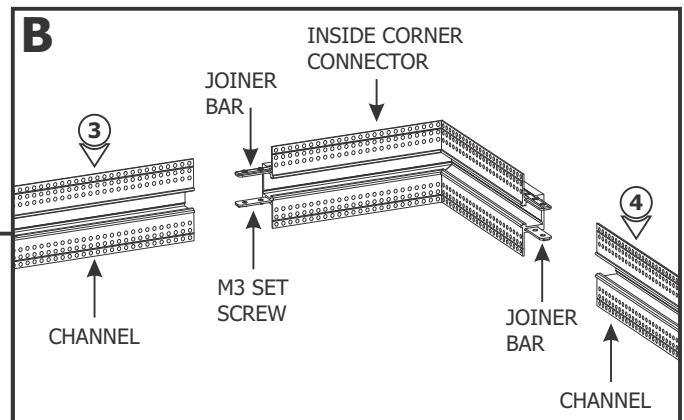


### Section One: Install Corner Channel Connector



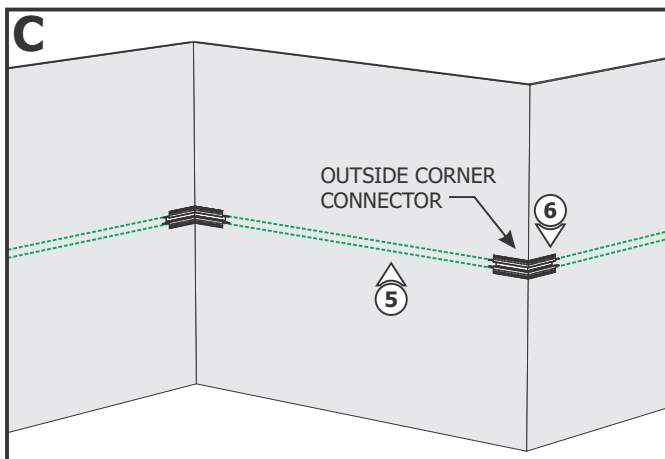
#### Inside Corner Channel Connector:

- 1: Place the Inside Corner Connector against a corner. Ensure the connector is aligned with the TruLine Channel installation location.
- 2: Mark the installation location of the Inside Corner Connector on the drywall using a pencil or chalk line before cutting.



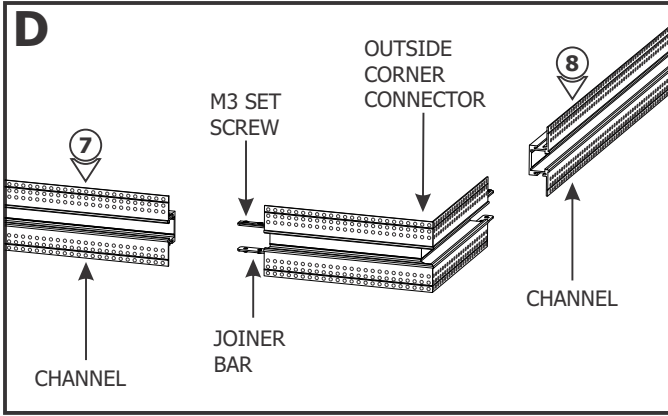
- 3: Slide the TruLine .5A channel into the joiner bars of the Inside Corner Channel Connector. Tighten the two M3 set screws on each joiner bar with a 1.5mm Allen wrench.

- 4: Repeat step 3 for the other end of the Inside Corner Channel Connector.

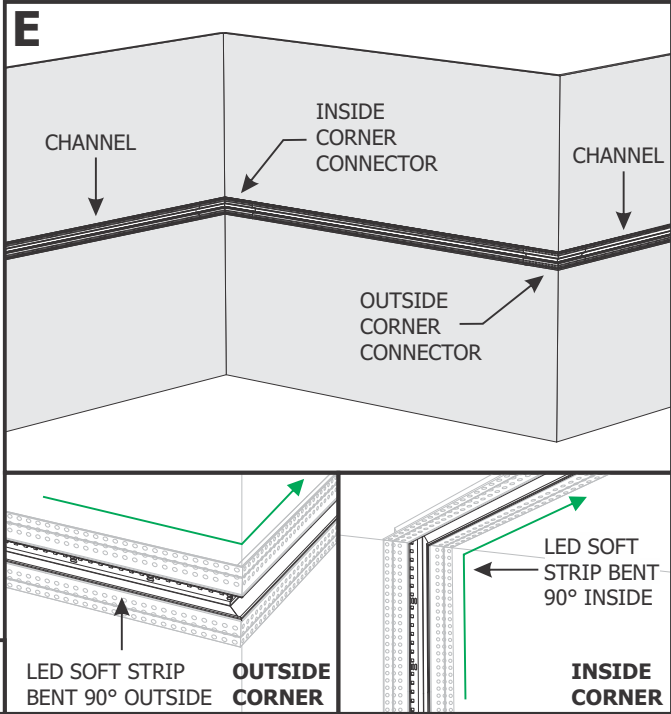


#### Outside Corner Channel Connector:

- 5: Place the Outside Corner Connector against a corner. Ensure the connector is aligned with the TruLine Channel installation location.
- 6: Mark the installation location of the Outside Corner Connector on the drywall using a pencil or chalk line before cutting.

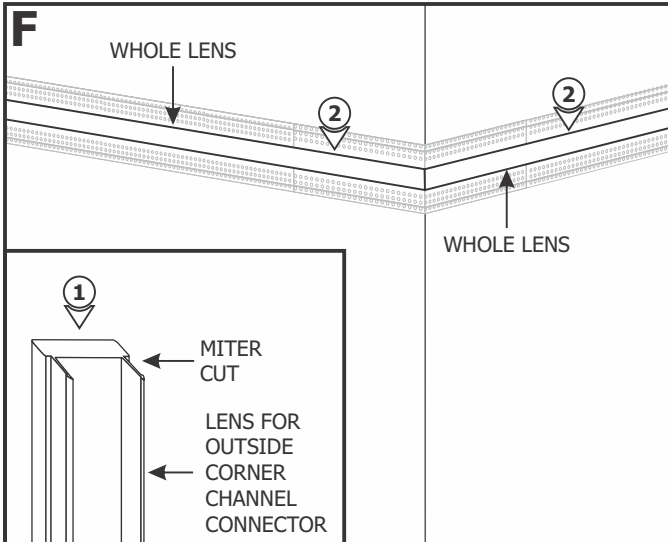


- 7:** Slide the TruLine .5A channel into the joiner bars of the Outside Corner Channel Connector. Tighten the two M3 set screws on each joiner bar with a 1.5mm Allen wrench.
- 8:** Repeat step 7 for the other end of the Outside Corner Channel Connector.



- 9:** Follow steps described in the TruLine .5A Channel and Lens installation instructions to continue the installation.

## Section Two: Lenses



- 1:** To avoid seams and light leaks, use the precut lenses that were provided with the Corner Channel Connector as a guide to miter cut the whole lenses.
- 2:** Use the whole lenses to cover the Inside or Outside Corner Channel Connector along with the rest of the installed channels.
- 3:** Discard the precut lenses.