



1718 W. Fullerton Chicago, IL 60614  
 Ph: 773.770.1195 • Fax: 773.935.5613  
 www.PureEdgeLighting.com • info@PureEdgeLighting.com  
 © 2016 PureEdge Lighting. All Rights Reserved.

## Installation Instructions for TruLine .5A 24VDC



### IMPORTANT INFORMATION

- This fixture is wall or ceiling mount.
- This instruction shows a typical installation.
- **Consult the Configuration Notes on Pages 10 and 11 before beginning any installation.**
- This product is ETL listed for indoor use.

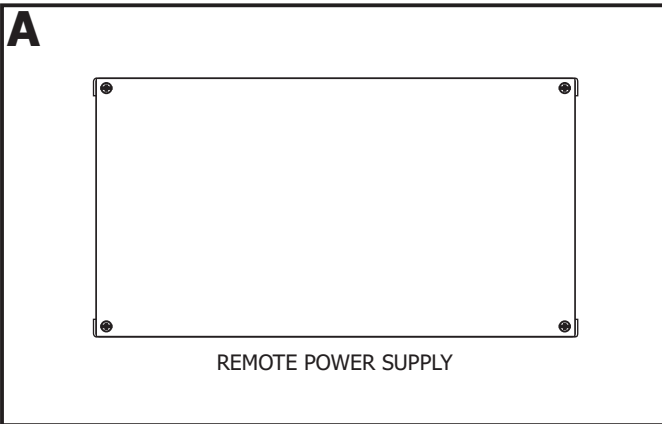
**SAVE THESE INSTRUCTIONS!**

### INSTALLATION VIDEO



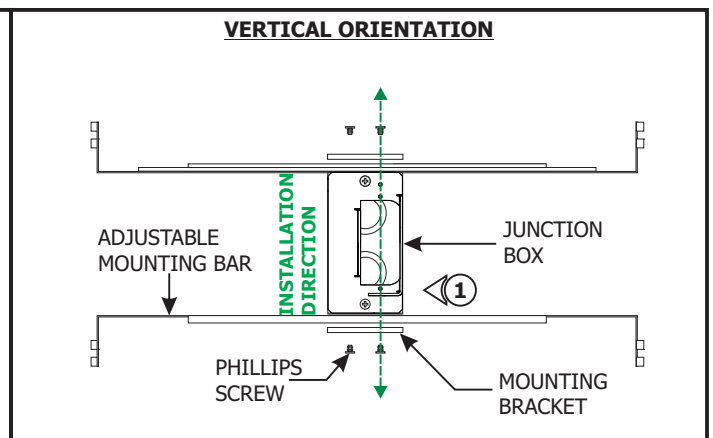
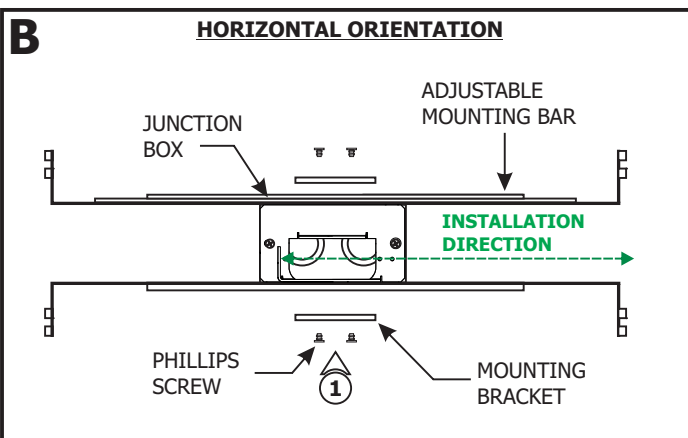
Scan with your mobile device to watch a typical installation video or visit [www.pureedgelighting.com/pure/pure-videos/truline\\_5a\\_room\\_wrap/index.php](http://www.pureedgelighting.com/pure/pure-videos/truline_5a_room_wrap/index.php)

## Section One: Install the Remote Power Supply

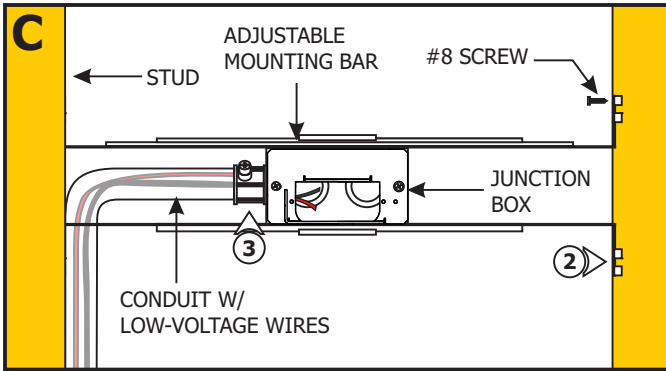


**1:** Remote power supplies must be installed within 40ft of the junction box. Refer to the instructions and wiring diagram provided with the remote power supplies.

## Section Two: Install the Junction Box and Wires (Test Power to the LED Strip)



**1:** Mount each adjustable mounting bar to one side of the junction box and secure them with the mounting brackets and two Phillips screws provided.



**NOTE:** The adjustable mounting bars mount to studs that are spaced 15" to 24" apart. If the span needs to be shorter than 15", then break the bar arms from dedicated lines.

**2:** Place the lips on the adjustable mounting bars against the studs. Secure the adjustable bars to the studs with the eight #8 screws.

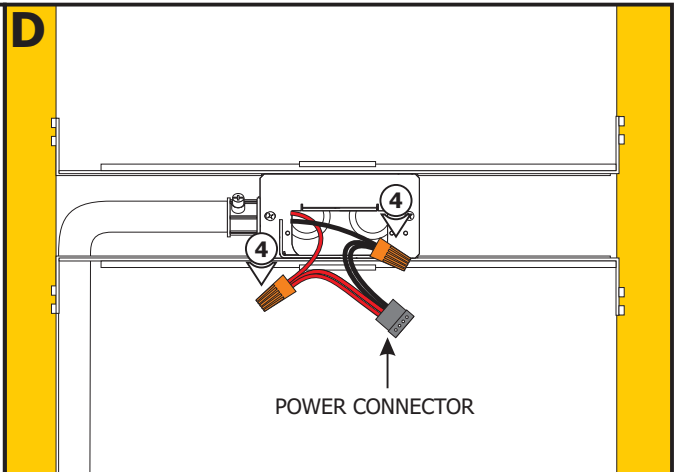
**3:** Install conduit (if required by local electrical code) and run low-voltage power wires to the junction box.

**NOTE:** Remote power supply wires must be present in junction box. Refer to instructions provided with power supply.

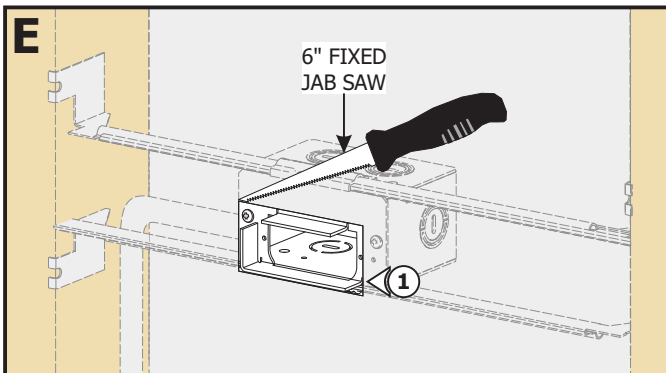
**4:** Connect the red +24VDC low voltage wire of the power supply to the red wires of the power connector using a wire nut. Connect the black -24VDC low voltage wire of the power supply to the black wires of the connector using a wire nut.

**5:** Place all wire nut connections inside the junction box.

**CAUTION:** Unroll the entire LED strip from the reel and use the power connector to power the strip making sure there is no outage before continuing with the installation. Afterwards, carefully roll the LED strip loosely back into the reel.

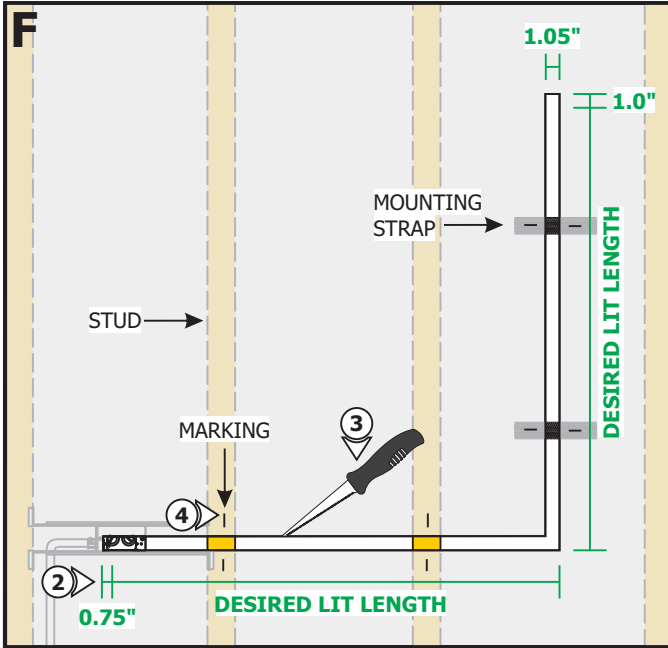


### Section Three: Lay the Drywall and Cut the Drywall for the Channel



**1:** Cut a section of drywall using a 6" fixed jab saw or other appropriate tool to expose the mounting plate area. Install the drywall.

**NOTE:** Drywall must be installed first before installing the channel.

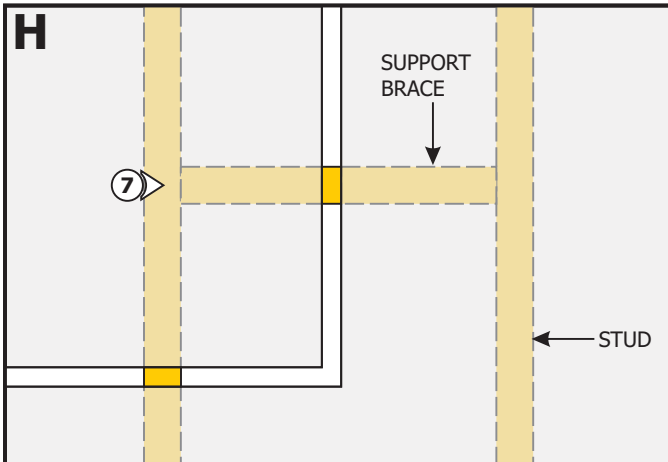
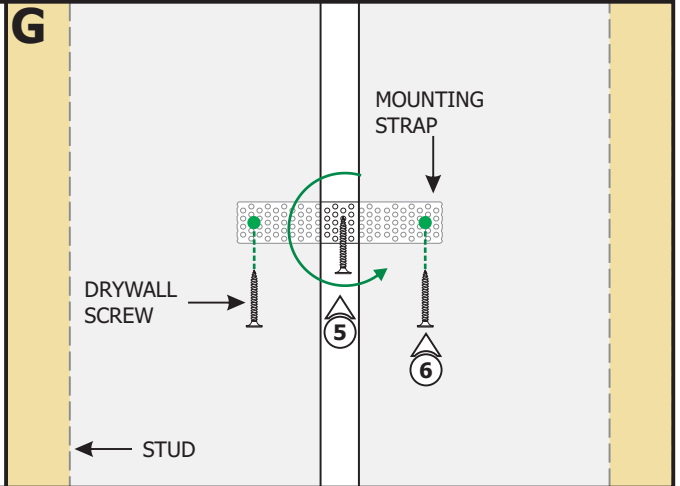


- 2: Determine the desired length of lit installation area and mark on wall. The total installation length cut will need to be 1-3/4" longer than the desired lit installation area to account for the fixture end caps. (For example, a desired 48" lit area will require a drywall cut of 49-3/4"). Mark this length on the wall using the junction box mounting plate and a level as a guide.
- 3: Cut out the marked area using a "Dremel Multi-Max" or a 6" Fixed Jab Saw.
- 4: Mark the location of the studs to the drywall for future reference.

**NOTE:** To install channel in a wall without standard-spaced studs, install perforated mounting straps every 32" behind drywall and secure using two drywall screws. Mark the location of any mounting straps to the drywall (see steps below).

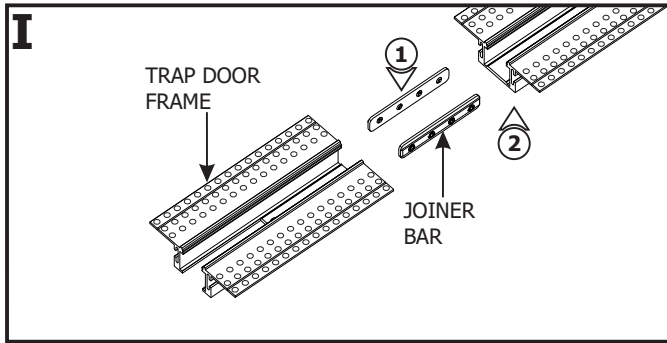
**NOTE:** For areas with lots of vibrations, it is suggest to install 2X4 support braces (suggested spacing is every 32") before installing and finishing drywall to avoid cracking of plaster. Refer to step 7.

- 5: Thread a drywall screw into the perforated material. Place the mounting strap behind the drywall and rotate into place using the drywall screw.
- 6: Secure the mounting strap to the drywall using two drywall screws. Mark the location on of the mounting strap on the drywall.



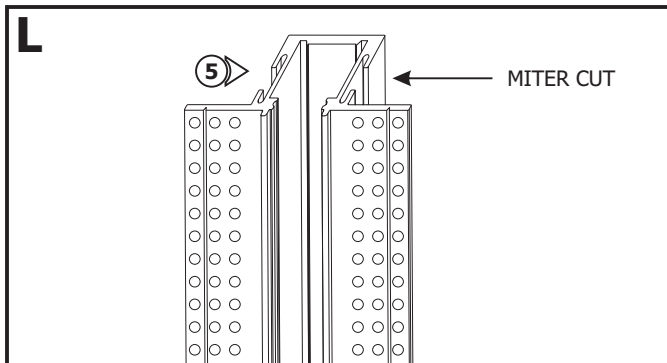
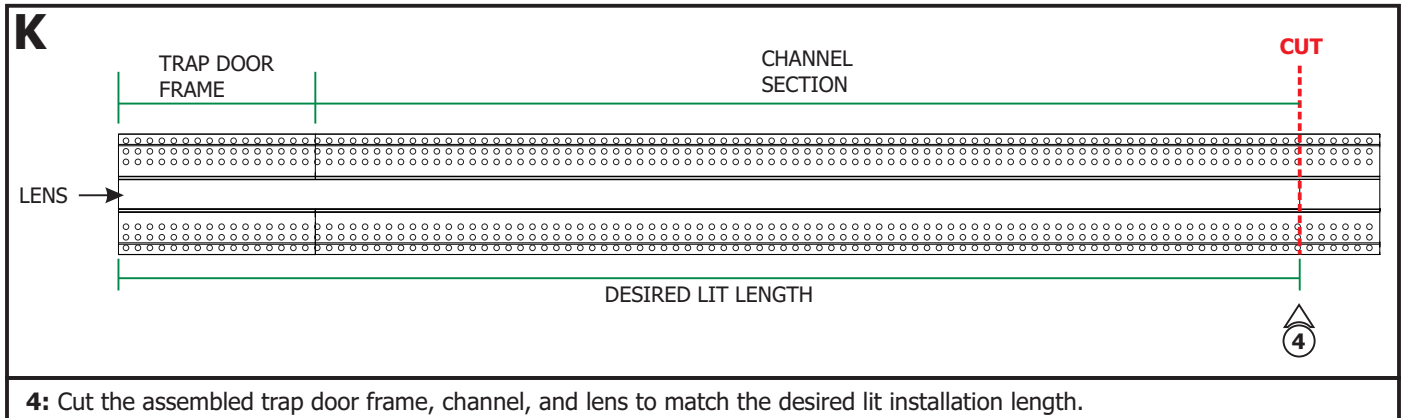
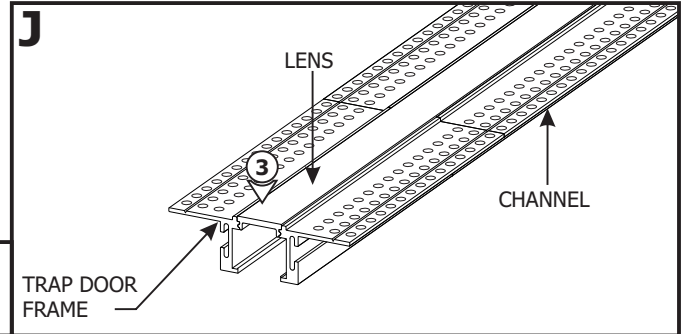
- Alternate Installation Option:**
- 7: Install 2x4 support braces (suggested spacing is every 32") before installing and finishing drywall.

## Section Four: Install the Channel

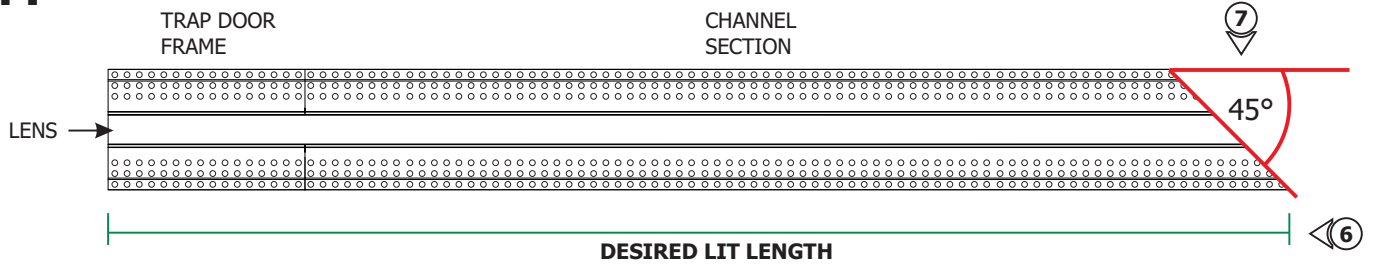


- 1:** Insert the joiner bars halfway into the channel trap door frame. Tighten the two M3 set screws on each joiner bar using a 1.5mm Allen wrench.
- 2:** Slide the other section of channel onto the joiner bars and tighten the remaining M3 set screws.

- 3:** Snap the lens into the assembled trap door frame and channel **BEFORE** cutting to length. This ensures a proper fit after installation.

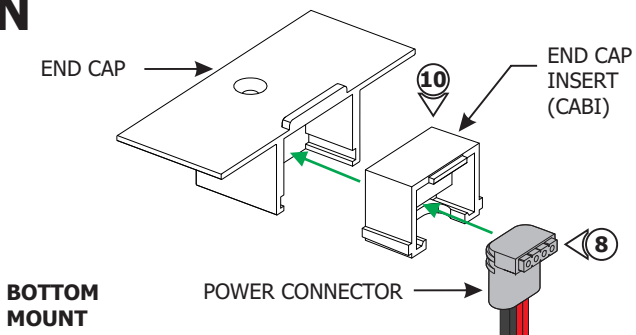


- 5: For Room Wrapping Configurations,** miter cut each section of assembled channel and lens to match the corner angle. In a 90° inside corner installation as shown, each channel section is cut at a 45° angle to form a complete corner.

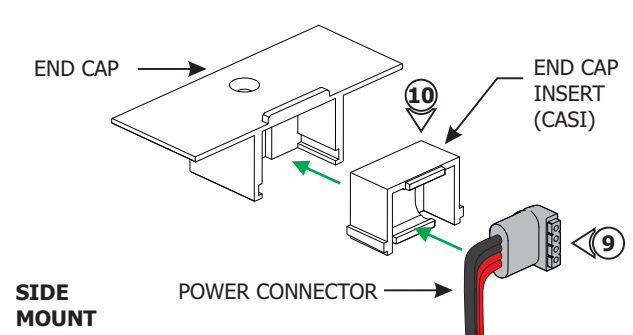
**M**

**6: For Zig Zag Configurations**, determine the channel length and cut channel and lens at a 45° angle from the outer corner.

**7:** Cut additional lens/channel assembly for the opposing 45° angle and any other corners as required for the installation.

**N**

**BOTTOM MOUNT**

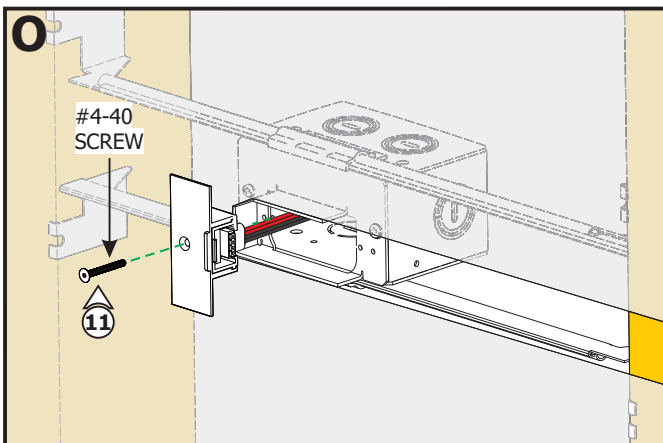


**SIDE MOUNT**

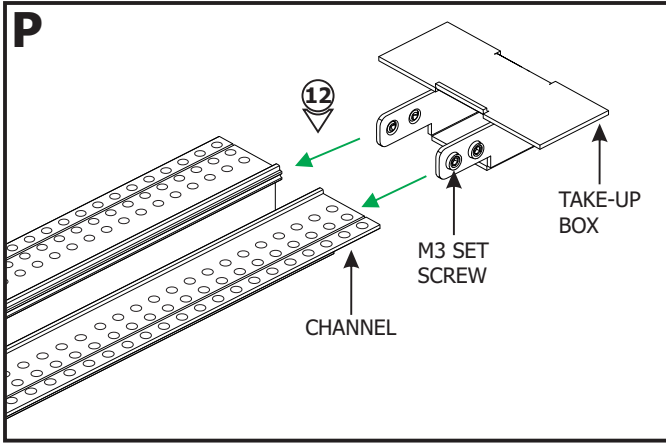
**8:** For installations where the LED Soft Strip will be laid on the **bottom** of the channel, place the power connector into the end cap insert (CABI).

**9:** For installations where the LED Soft Strip will be laid on the **side** of the channel, rotate the connector and bend the power connection wires to place the power connector into the end cap insert (CASI).

**10:** Slide the end cap insert and power connector into the end cap.

**O**

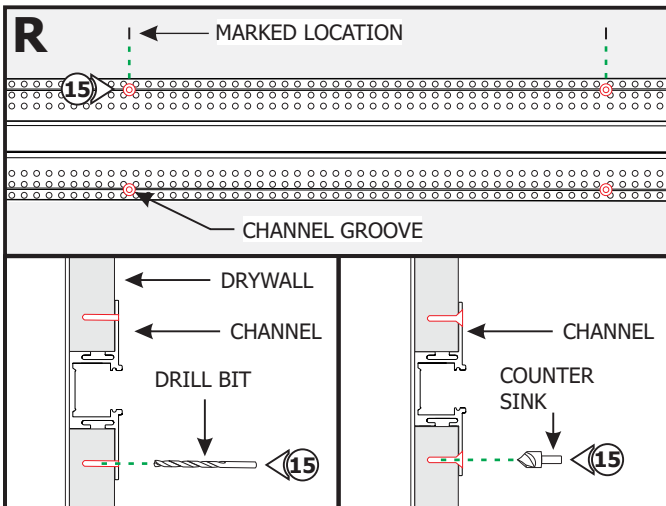
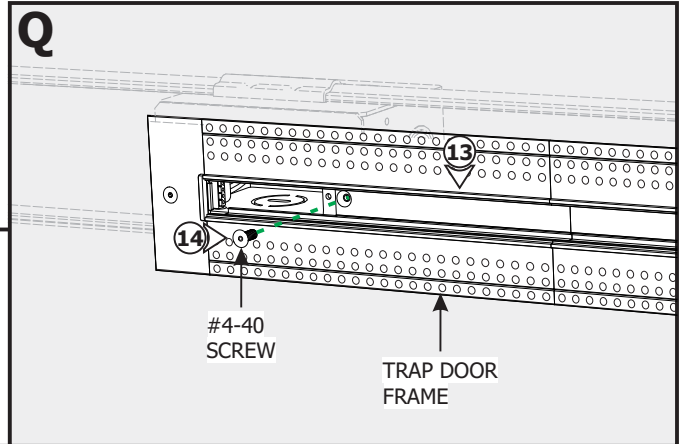
**11:** Secure the assembled power connector end cap to the junction box with the #4-40 screw using a 1/16" Allen wrench.



**12:** Install the Take-Up Box at the end of an installation run. Slide the take-up box into the channel and tighten the M3 set screws using 1.5mm Allen wrench to secure in place.

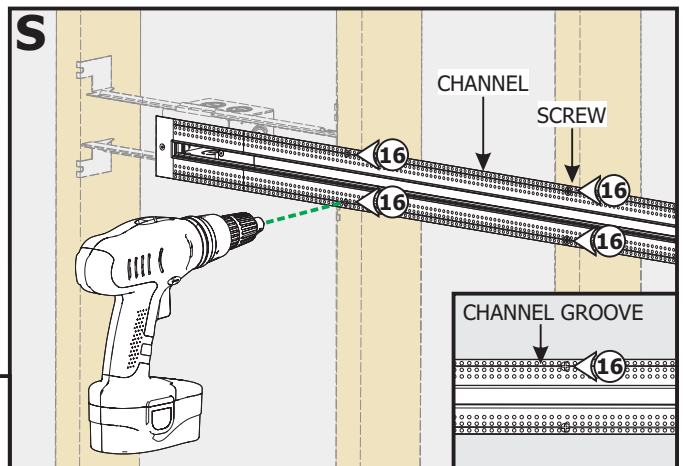
**13:** Place the assembled channel to the cutout area on the wall making sure to fully seat it against the power connector end cap.

**14:** Attach the assembled trap door frame and channel to the junction box with the #4-40 screw using a 1/16" Allen wrench.

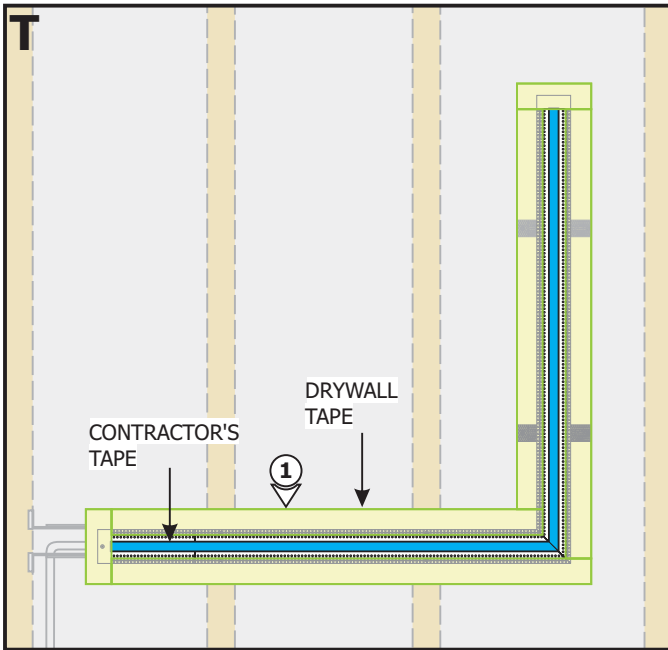


**15:** Using the marked locations on the drywall, drill and countersink the channel using the provided square drill with countersink bit.

**16:** Properly secure the channel to the wall using drywall screws (**DO NOT over tighten**). Ensure all screw heads are flush with the channel surface.



## Section Five: Plaster, Sand and Paint



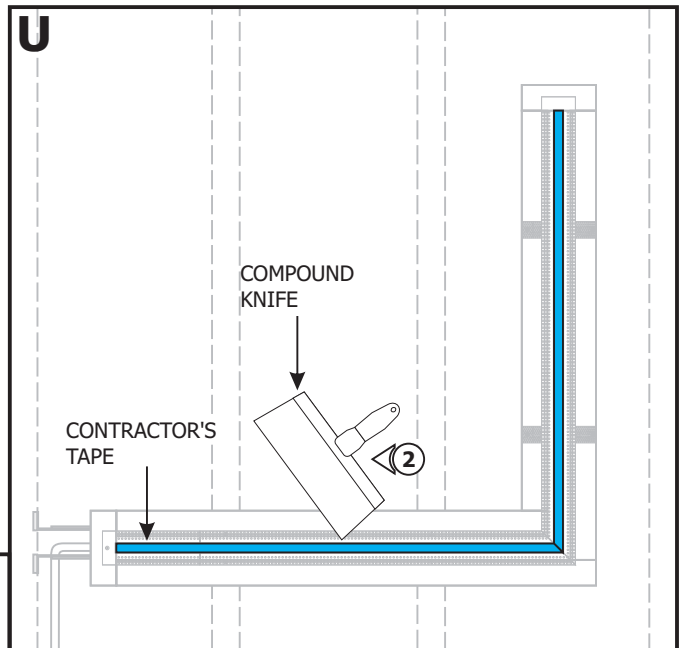
**NOTE:** Cover the channel opening with contractor's tape before plastering.

**NOTE:** For areas with lots of vibrations, it is suggested to use Durabond to avoid cracking of plaster.

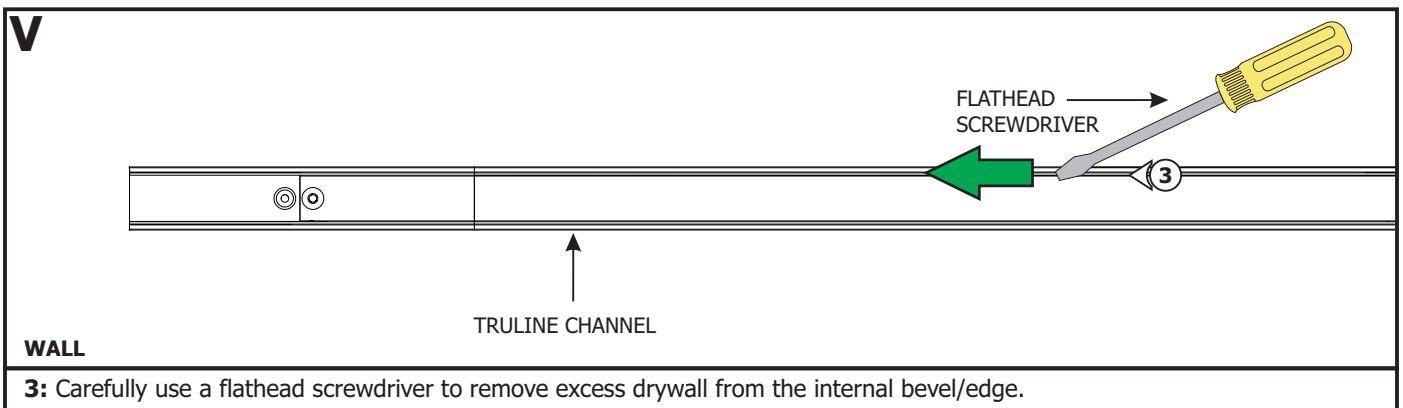
**NOTE: Do Not** use premixed joint compound "Soft Mud". No use compuesto para juntas premezclado "Soft Mud".

**NOTE:** Recommended plaster method: 1st Coat - Durabond 25 with 8" Blade, 2nd Coat - Easy Sand 45 with 10" Blade, 3rd Coat - with 12" blade

**1:** Must apply drywall tape (Ultra-Thin drywall tape suggested) along edges of channel up to the groove to prevent cracking of plaster after installation. **DO NOT** overlap strips of drywall tape.



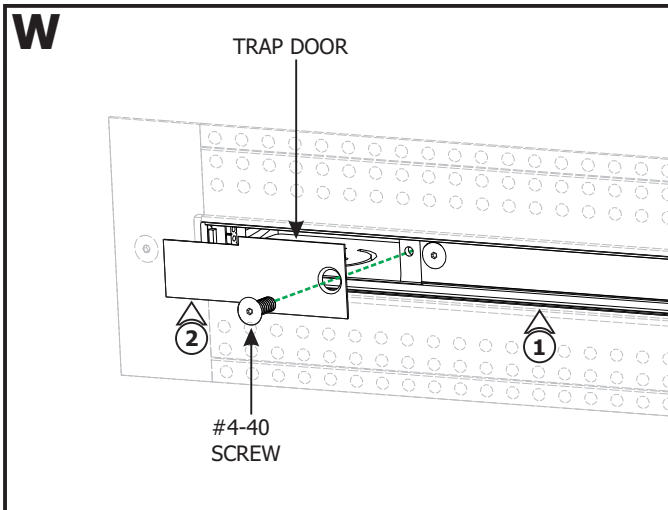
**2:** Use a 12" compound knife for a smooth compound spread. Sand, paint, and finish the plaster and drywall before removing the blue contractor's tape.



**WALL**

**3:** Carefully use a flathead screwdriver to remove excess drywall from the internal bevel/edge.

## Section Six: Install the LED Soft Strip



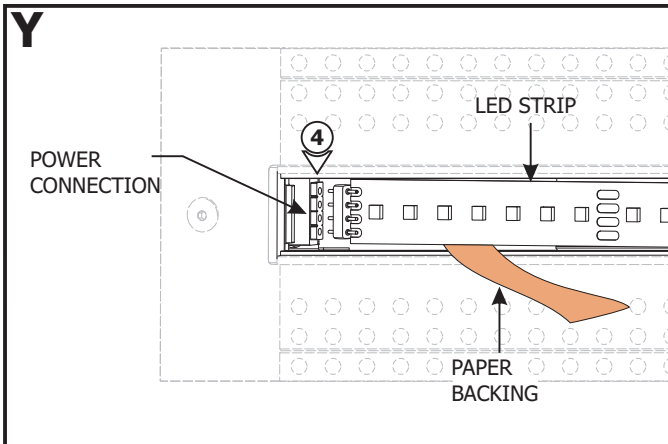
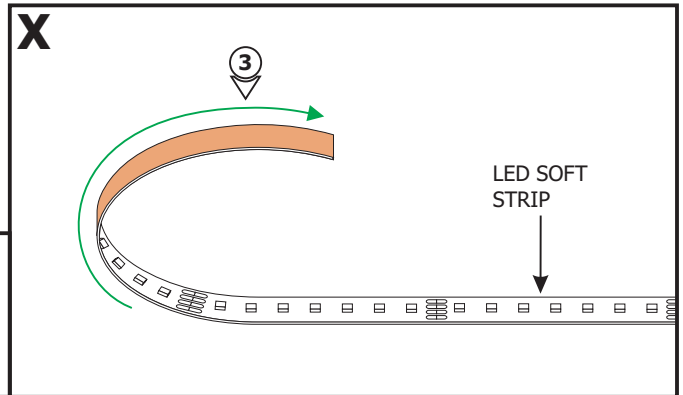
**1:** Remove the blue contractor's tape from the inside of the channel. Clean the channel surface with alcohol to remove any dust or debris before continuing.

**IMPORTANT:** Soft strip may not properly adhere to channel surface unless the channel is cleaned with alcohol prior to application.

**2:** Attach the trap door to the junction box using the #4-40 screw.

**NOTE:** If installation requires RGB, RGB+W, or Tunable White, refer to wiring diagrams on pages 12 and 13.

**3:** Gently uncoil the LED soft strip before applying to the channel otherwise the strip may lift off of the surface.

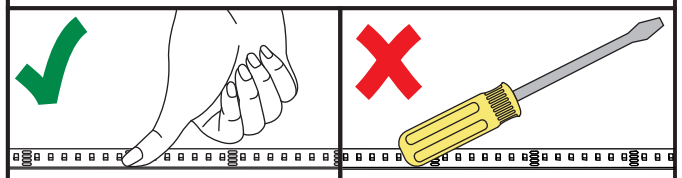
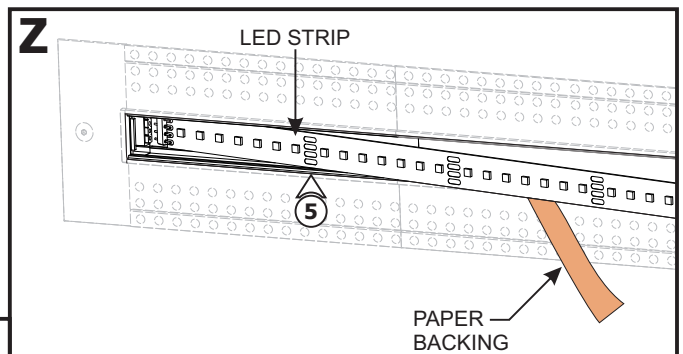


### LED Soft Strip Installation: Bottom Mount

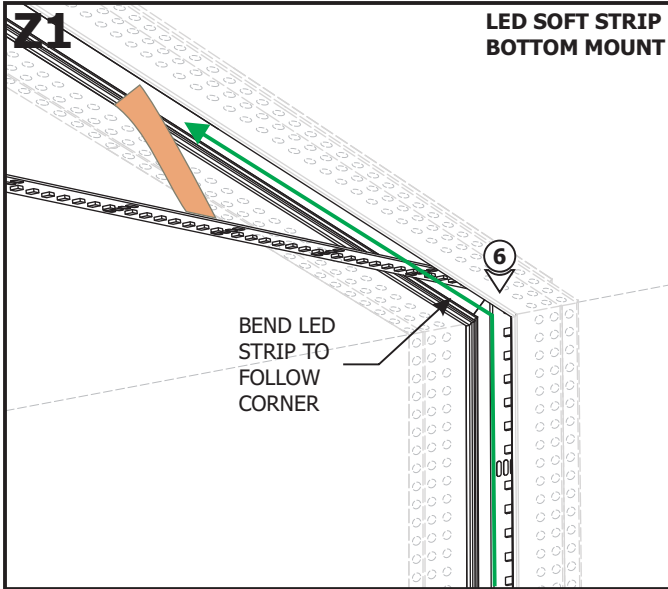
**4:** Carefully remove the backing from the LED Soft Strip, making sure not to remove the tape from the LED Soft Strip. Line up the red wire side of the power connector with the "+24VDC" marking on the Soft Strip. Push the male connector of the Soft Strip into the female power connector.

**5:** Firmly press down the adhesive portion of the soft strip onto the channel surface while removing the rest of the backing, making sure there are no air bubbles that can cause surface irregularities.

**NOTE:** For important information regarding installation and rework of the LED Soft Strip, refer to Page 14.





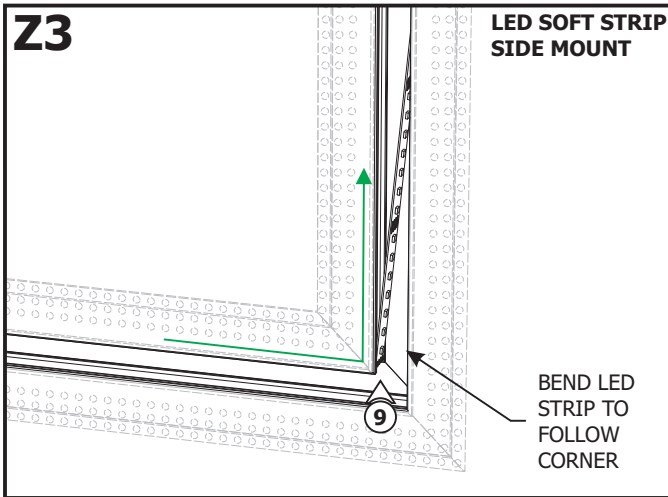
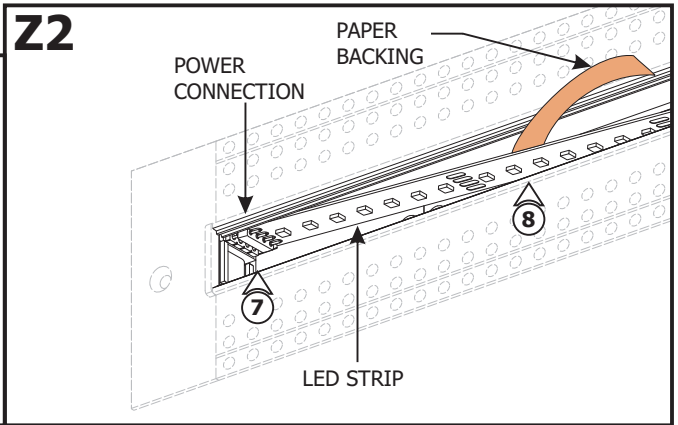


**6: For Room Wrapping Configurations,** bend the LED Soft Strip 90° on the **bottom** of the channel to match the corners. Continue removing the paper backing from the LED strip and installing along channel, pressing adhesive into place using **ONLY** fingers.

**LED Soft Strip Installation: Side Mount**

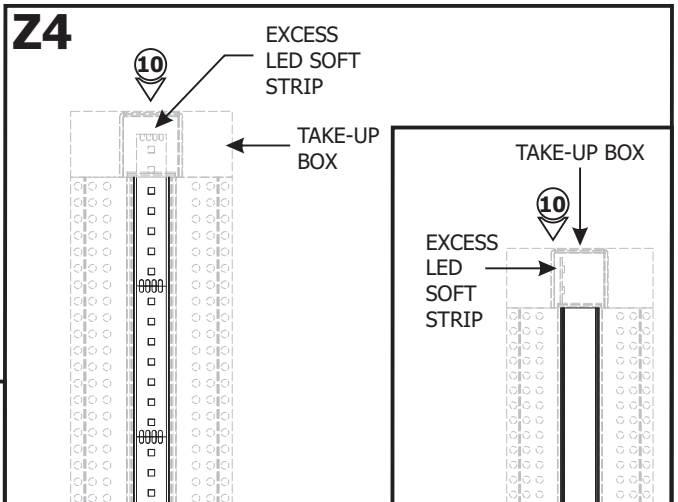
**7:** Line up the red wire side of the power connector with the "+24VDC" marking on the LED strip. Push the male connector of the LED strip into the female connector of the power cables.

**8:** Carefully remove the backing from the LED strip, making sure not to remove the tape from the LED strip. Firmly press down the adhesive portion of the LED strip onto the channel surface while removing the rest of the backing, making sure there are no air bubbles that can cause surface irregularities.



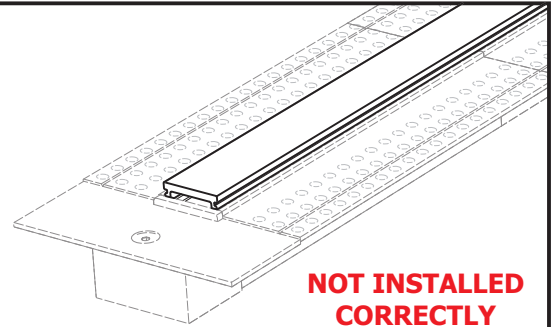
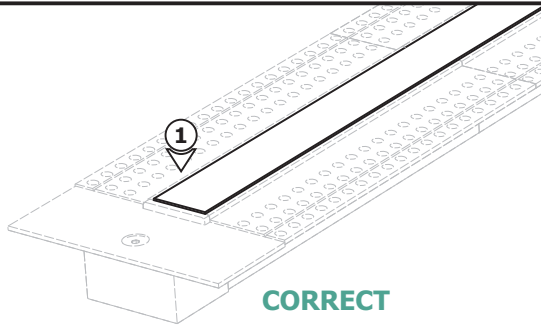
**9: For Zig Zag Configurations,** bend the LED Soft Strip 90° on the **side** of the channel to match the installation corner. Continue removing the paper backing from the LED strip and installing along channel, pressing adhesive into place using **ONLY** fingers.

**10:** If required, trim the LED Soft Strip on the dashed cuttable section and place the excess LED Soft Strip inside the Take-Up Box. Ensure the entire length of the channel is covered with LED Soft Strips to avoid unlit areas.



## Section Seven: Lenses

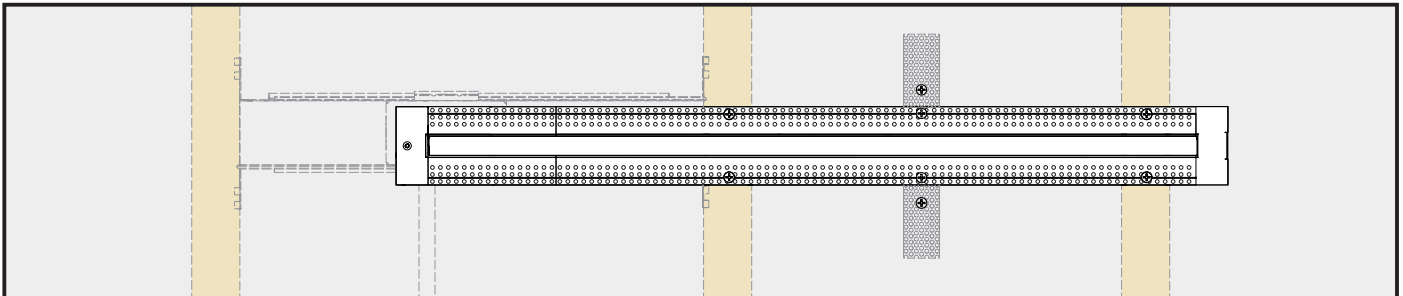
### Z5



1: Snap the lens back into the channel. Ensure lens is fully seated.

## Configuration Notes

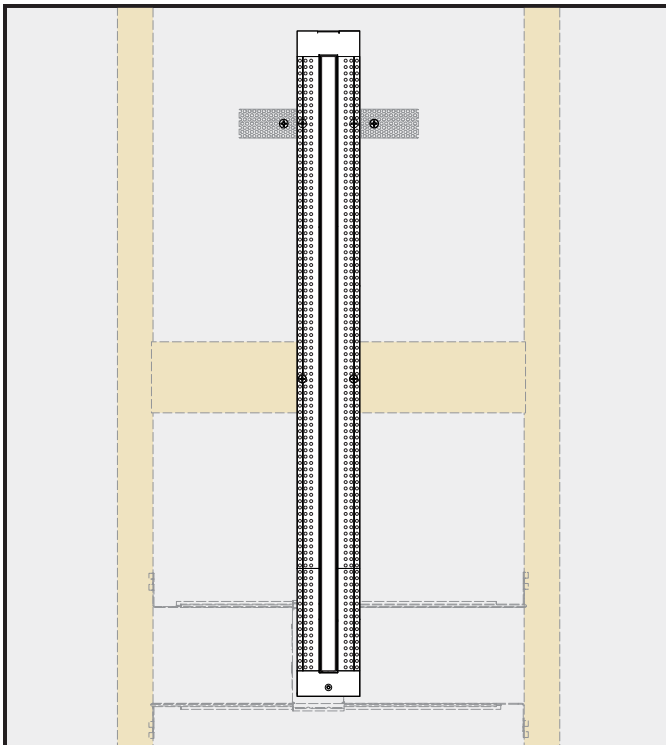
### Horizontal Configuration



Horizontal installations are linear runs of channel beginning and ending at an end cap and junction/take-up box on a single plane surface. Runs can be up to 40' in length and the LED strip lays in the **bottom** of the channel.

Horizontal installations are typically installed perpendicular to wall studs or ceiling joists. Where no stud/joist is present (or in a remodel installation) a mounting strap may be used to secure the channel to the drywall.

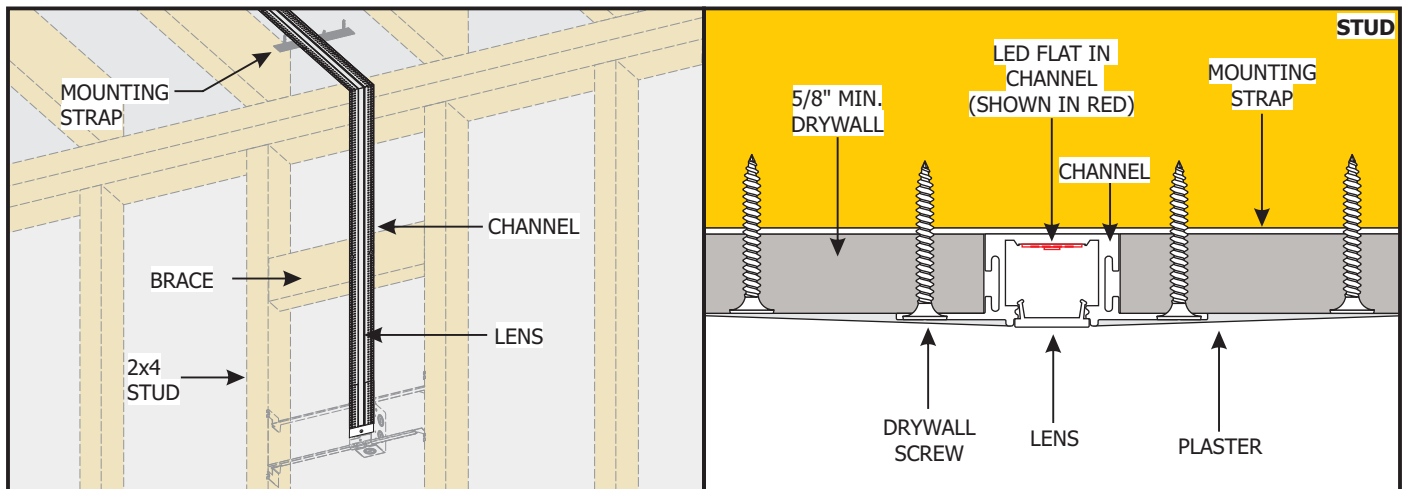
### Vertical Configuration



Vertical installations are linear runs of channel beginning and ending at an end cap and junction/take-up box on a single plane surface. Runs can be up to 40' in length and the LED strip lays in the **bottom** of the channel.

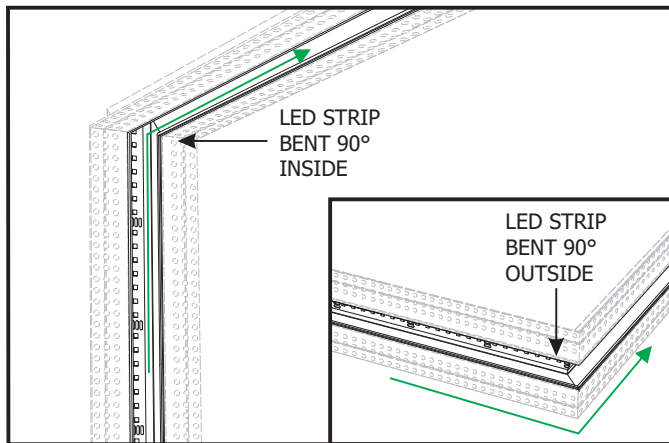
Vertical installations are typically installed between wall studs or ceiling joists. Cross-braced stud sections or mounting straps are suggested to provide additional support every 32".

## Room-Wrapping Configuration



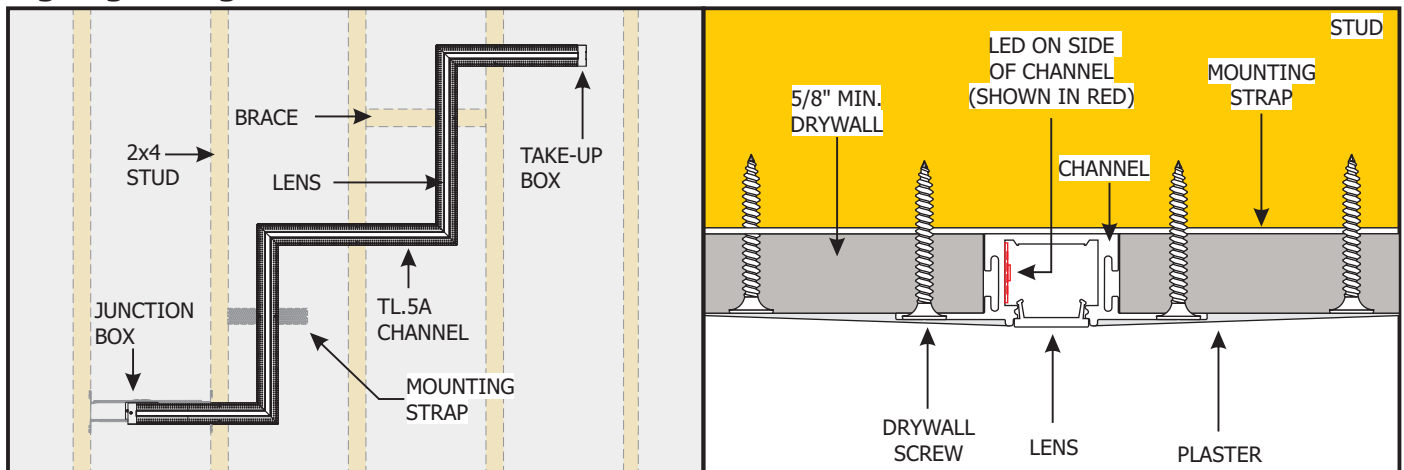
Room-wrapping configurations are used for installations that join runs of **TruLine .5A** on multiple planes (like a ceiling and a wall) using miter-cut linear sections of channel.

For room-wrapping installations, the LED strip will be installed in the **bottom** of the channel.



Room-wrapping installations use LED strip bent 90° for inside or outside corner configurations. Channel sections will be miter cut on-site.

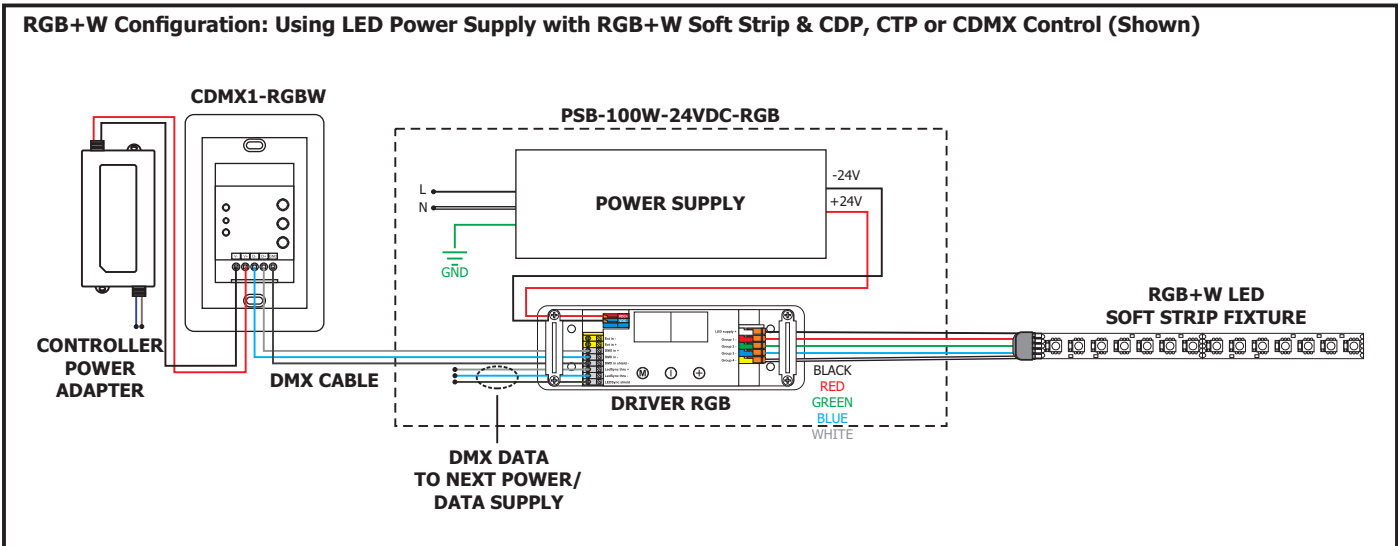
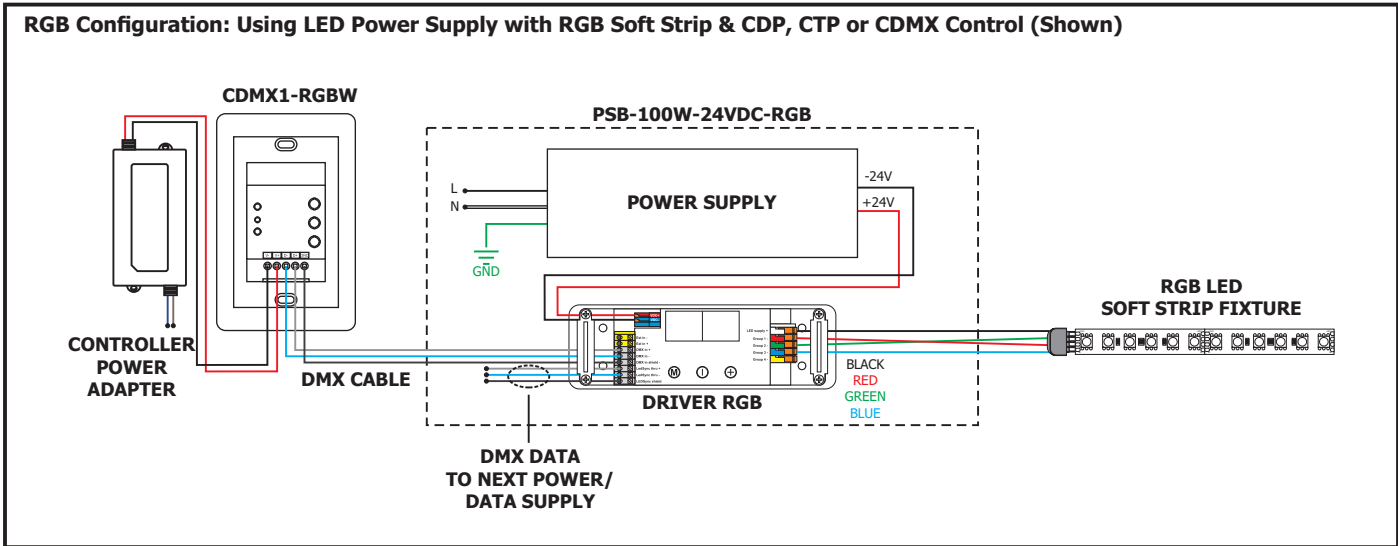
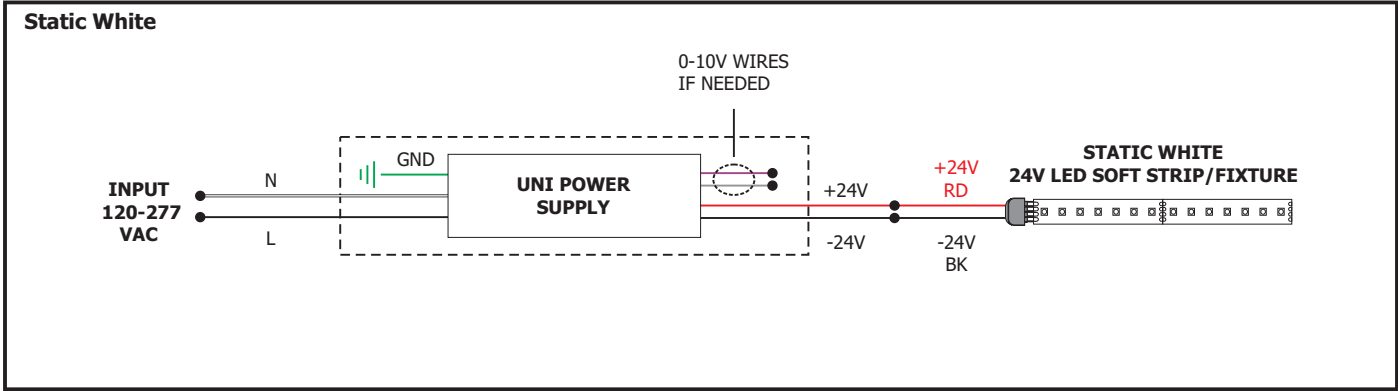
## Zig Zag Configuration



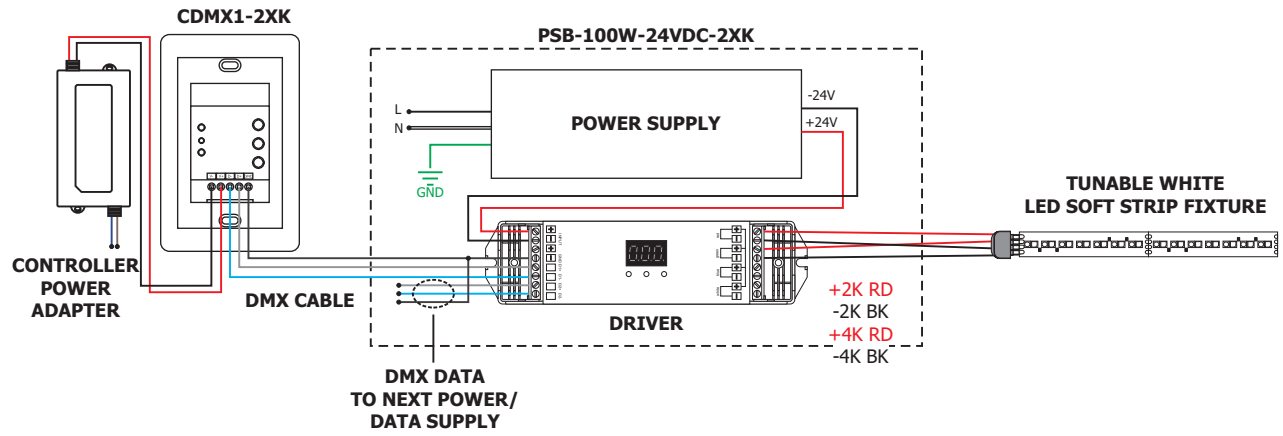
Zig Zag configurations are used for installations that join runs of **TruLine .5A** on a single plane (like a ceiling or a wall) using miter-cut sections of channel.

For Zig Zag installations, the LED strip will be installed in the **side** of the channel to allow the strip to follow the channel corners.

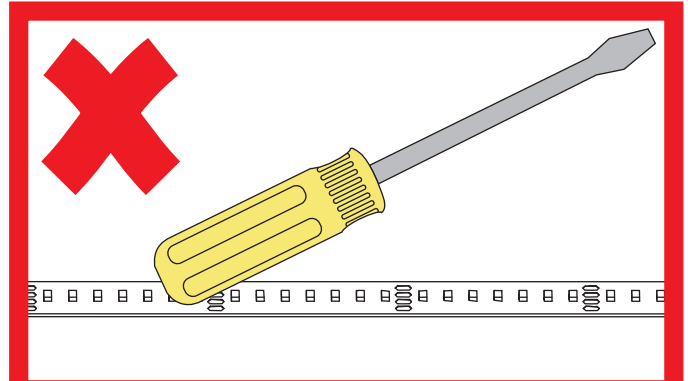
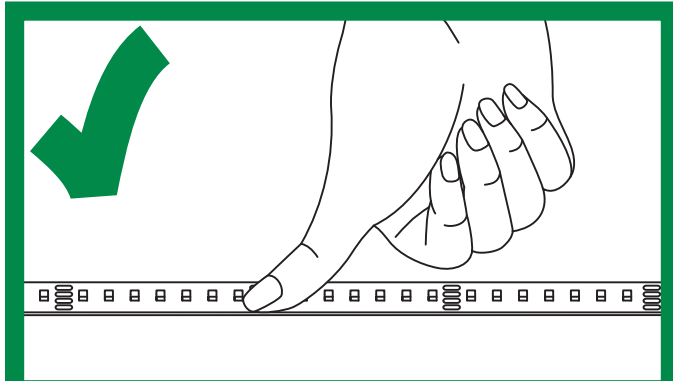
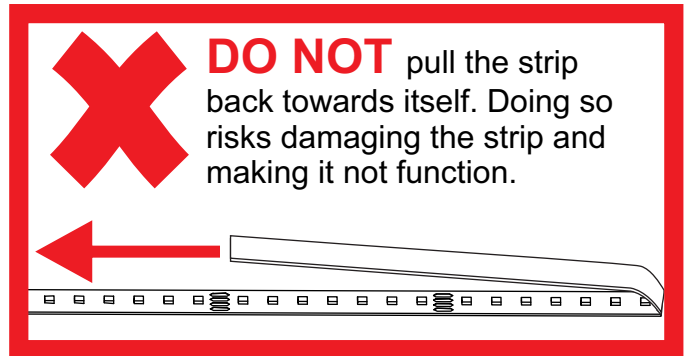
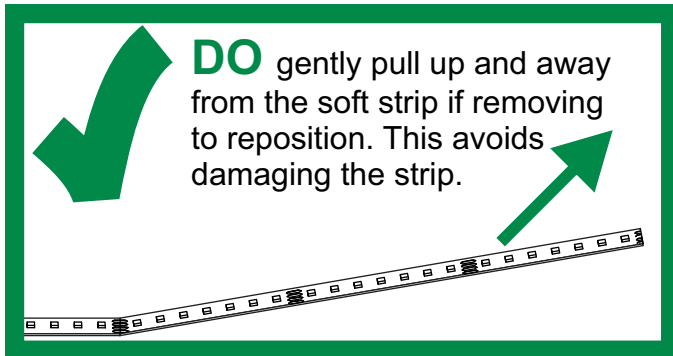
# General Wiring Diagrams



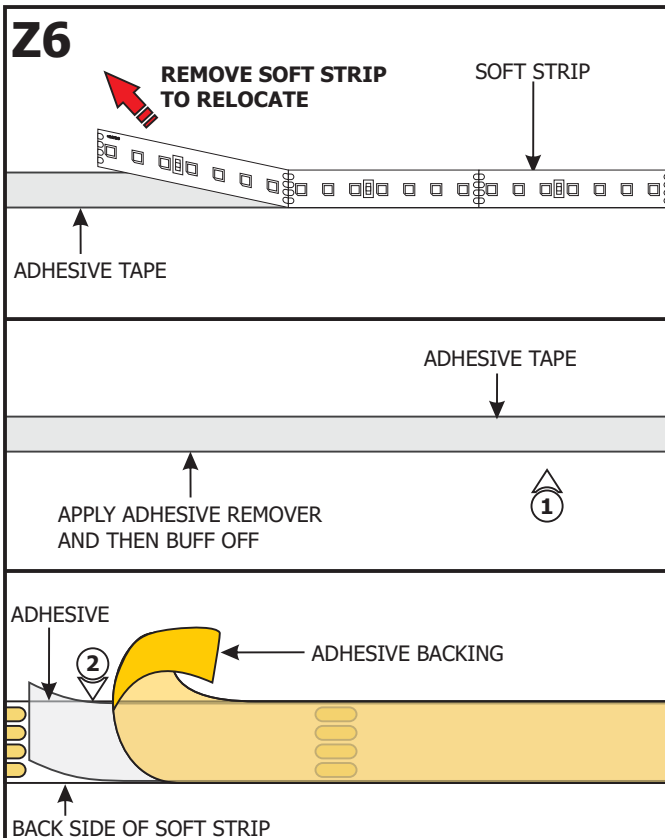
**Tunable White: 2XK Power Supply with CDMX Controller**



## IMPORTANT INFORMATION REGARDING INSTALLATION AND REWORK OF SOFT STRIP LED



### Relocating Soft Strip (Optional)



**NOTE:** If relocating the installed soft strip, make sure that the adhesive tape on back of the soft strip covers the entire strip. The adhesive tape isolates the strip from the installation surface. Damaged or inconsistent adhesive tape may cause the contacts on the back of the strip to come in contact with the conductive heat sink which will cause the strip to short and burn. Call Edge Lighting to get replacement adhesive tape and/or optional aluminum heat sink tape (SS-HR-F).

- 1:** To remove tape residue from back of the strip, apply WD-40, Goo Gone, or a mixture of warm water and lemon oil to the corner of a clean, dry towel. Gently buff the area containing the adhesive residue until it is completely removed.
- 2:** Gently remove a few inches from one side of the tape backing. Attach the adhesive tape to the back of the soft strip and apply moderate pressure to affix the tape. Continue this step a few inches at a time until the entire adhesive tape is attached to back of the soft strip.
- 3:** Refer to Section Six to reinstall the LED soft strip.