



1718 W. Fullerton Chicago, IL 60614
 Ph: 773.770.1195 • Fax: 773.935.5613
 www.PureEdgeLighting.com • info@PureEdgeLighting.com
 © 2016 PureEdge Lighting. All Rights Reserved.

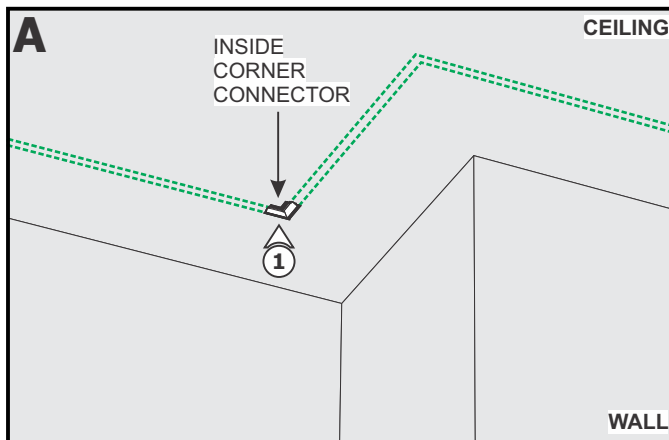
Installation Instructions for Reveal Wall Wash L-Shaped Inside and Outside Corner Channel Connector

IMPORTANT INFORMATION

- Reveal Wall Wash must be mounted 24" away from the wall.
- This instruction must be used concurrently with other Reveal Wall Wash BIY installation instructions.
- This product ceiling mount only.
- This instruction shows a typical installation.

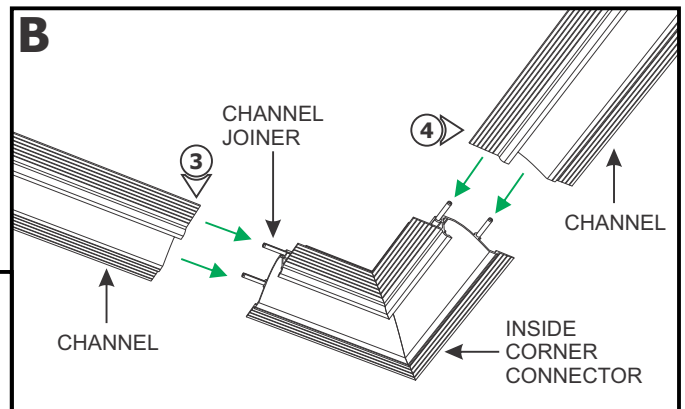
SAVE THESE INSTRUCTIONS!

Install the Inside Corner Channel Connector



1: Place the Inside Corner Connector against the ceiling. Ensure the Inside Corner Connector is aligned with the Reveal Wall Wash Channel installation location.

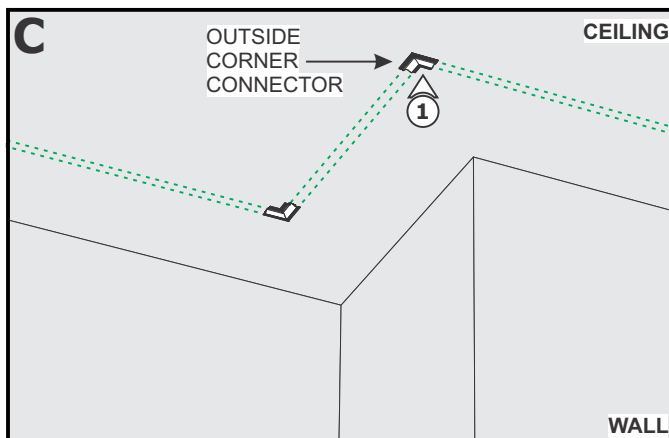
2: Mark the installation location of the connector on the ceiling using a pencil or chalk line before cutting.



3: Slide the Reveal Wall Wash channel onto the channel joiners of the Inside Corner Connector.

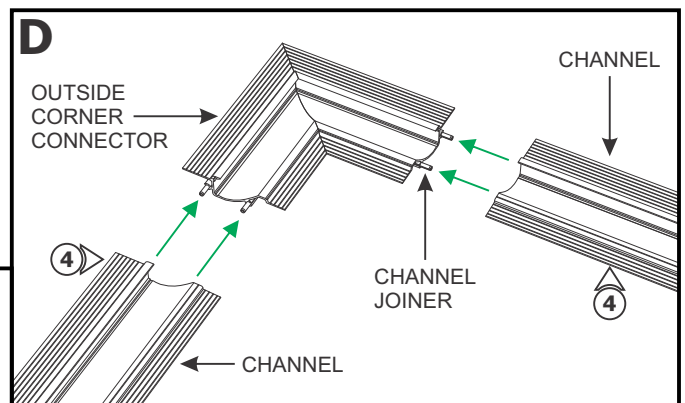
4: Repeat step 3 for the other end of the Inside Corner Connector.

Install the Outside Corner Channel Connector



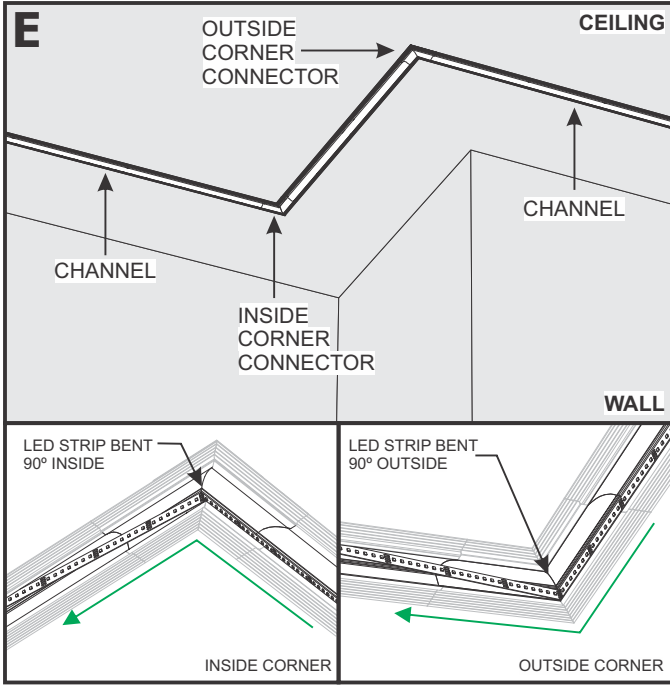
1: Place the Outside Corner Connector against the ceiling. Ensure the Outside Corner Connector is aligned with the Reveal Wall Wash Channel installation location.

2: Mark the installation location of the connector on the ceiling using a pencil or chalk line before cutting.



3: Slide the Reveal Wall Wash channel onto the channel joiners of the Outside Corner Connector.

4: Repeat step 3 for the other end of the Outside Corner Connector.



5: Follow steps described in the Reveal Wall Wash Channel and Lens installation instructions to complete the installation.