



1718 W. Fullerton Chicago, IL 60614
 Ph: 773.770.1195 • Fax: 773.935.5613
 www.PureEdgeLighting.com • info@PureEdgeLighting.com
 © 2016 PureEdge Lighting. All Rights Reserved.

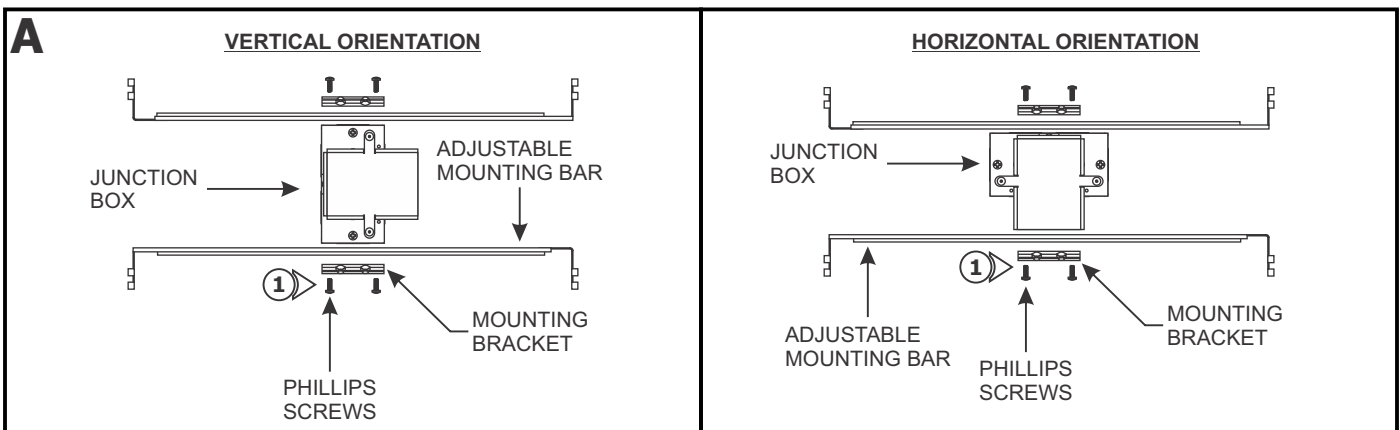
Installation Instructions for Reveal Wall Wash End Feed Power Connector

IMPORTANT INFORMATION

- Reveal Wall Wash must be mounted 24" away from the wall.
- This instruction must be used concurrently with other Reveal Wall Wash BIY installation instructions.
- This product ceiling mount only.
- This instruction shows a typical installation.

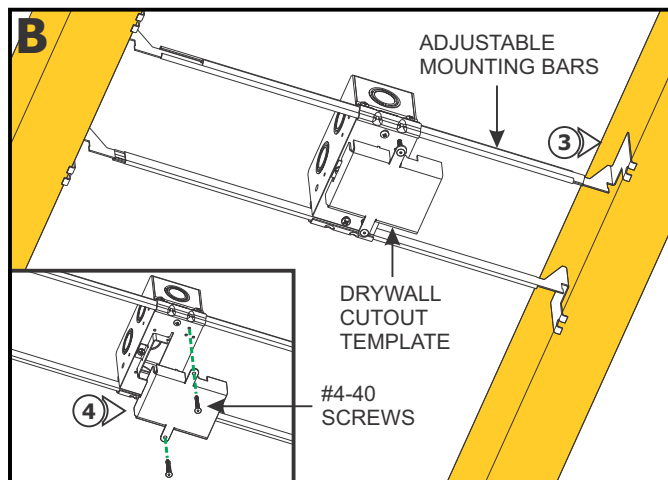
SAVE THESE INSTRUCTIONS!

Section One: Install the Junction Box

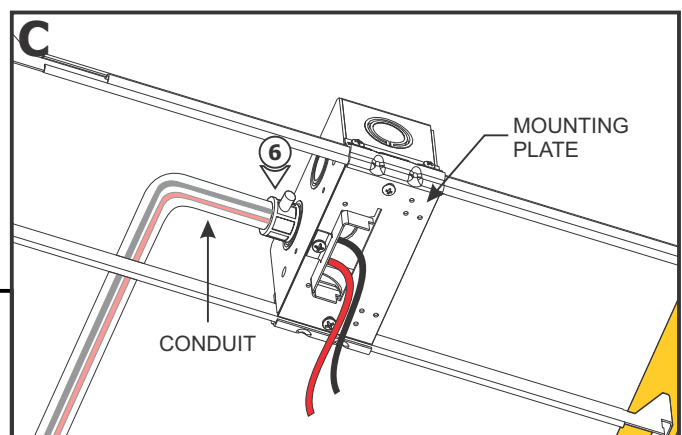


NOTE: The adjustable mounting bars mount to joists/studs that are spaced 14.5" to 25" apart.

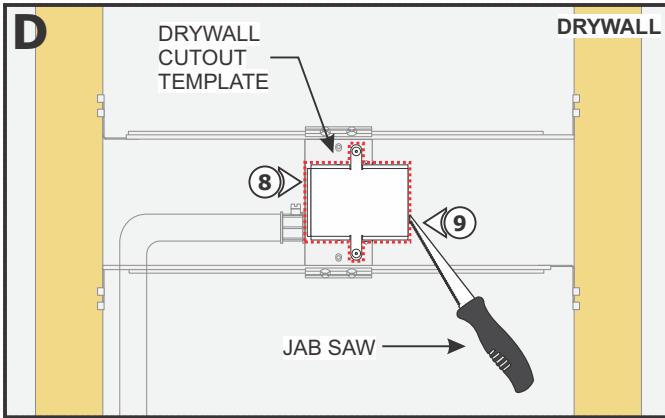
- 1:** Mount each adjustable mounting bar to one side of the junction box (mounts to any side of the housing depending on the orientation of the channel) and secure them with the mounting brackets and two Phillips screws provided.



- 2:** Select the location between two ceiling joists for the junction box to be mounted.
- 3:** Place the lips on the adjustable mounting bars against the joists. Secure the adjustable bars to the ceiling joists with the #8 screws.
- 4:** Remove the two #4-40 screws to remove the drywall cutout template completely off the junction box mounting plate using a 1/16" Allen wrench.



- 5:** Remove a knockout on the junction box to install a conduit into the junction box.
- 6:** Install conduit(s) (if required by local electrical code) and run low-voltage power wires to the junction box.

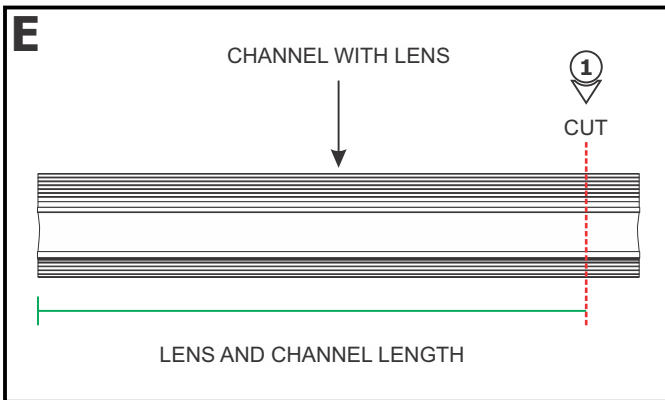


7: Replace the drywall cutout template.

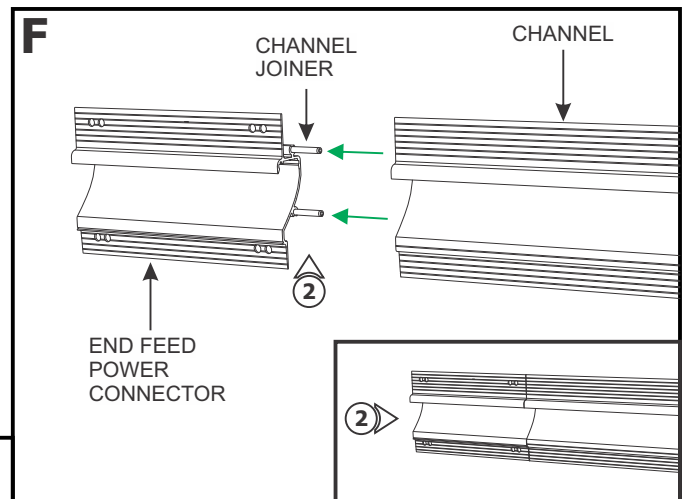
8: Mark a location on the drywall where the junction box will be located. Trace the drywall cutout template onto the drywall at the junction location.

9: Remove the template and cut out the marked area using a jab saw or other appropriate tool to expose the junction box. Install the drywall.

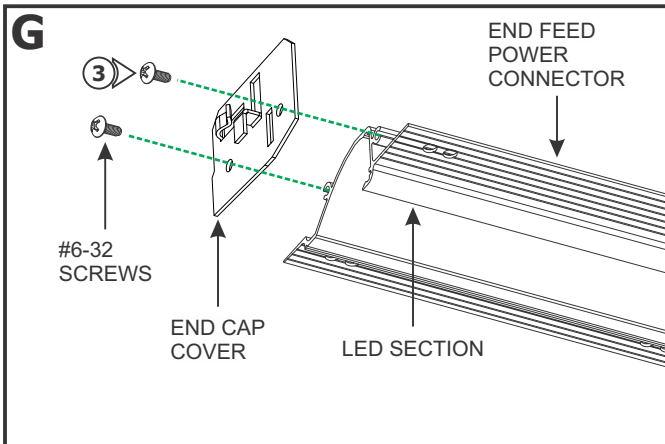
Section Two: Prepare and Install the End Feed Power Connector



1: Refer to Section One in the Reveal Wall Wash Channel and Lens instructions to measure and cut the channel and lens before continuing.



2: Slide a channel onto the channel joiners of the End Feed Power Connector.

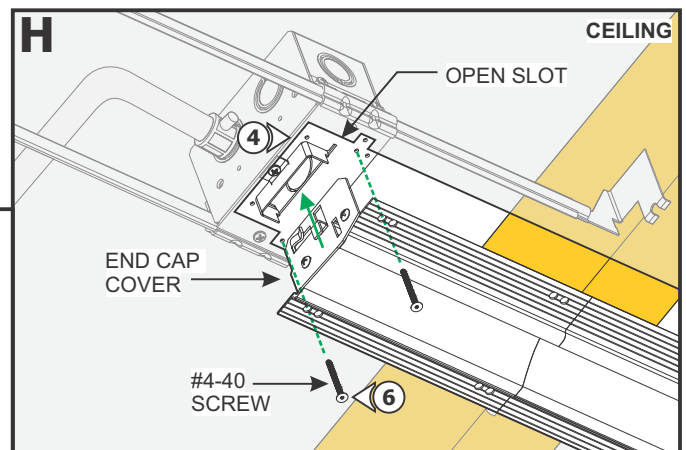


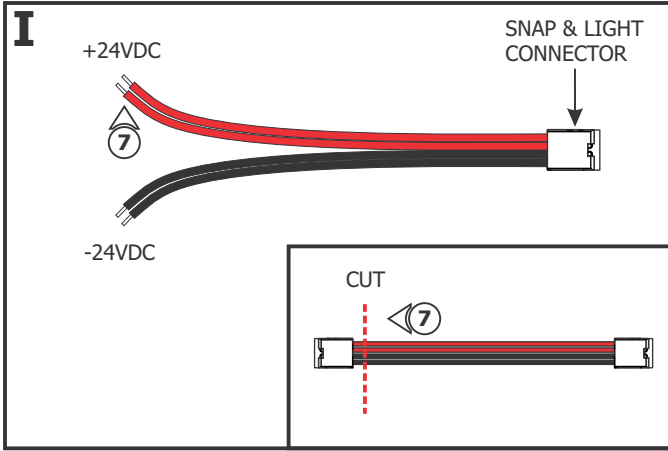
3: Attach the end cap cover to the End Feed Power connector using the two #6-32 screws. Align the slot with the LED section of the channel.

4: Align the end cap cover with the mounting plate opening slot and push the channel assembly into the drywall cutout on the ceiling.

5: Make sure the channel is aligned straight using a level.

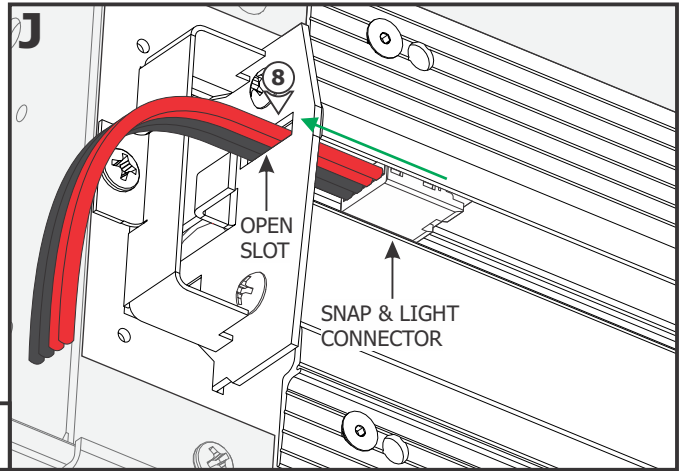
6: Secure the End Feed Power connector to the junction box with the two #4-40 screws from the cutout template using a 1/16" Allen wrench.



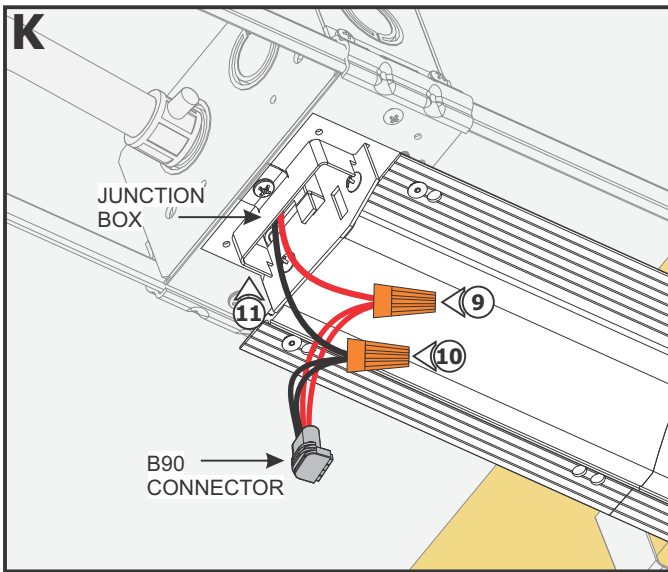


NOTE: Omit steps 7 and 8 if using B90 connector with pin-based Soft Strip.

7: If using the Snap & Light connector with standard Soft Strip, cut the end of the power cord and discard the unused connector. Strip the ends of the wires.



8: Feed the wires of the Snap & Light connector through the opening slot of the end cap cover.



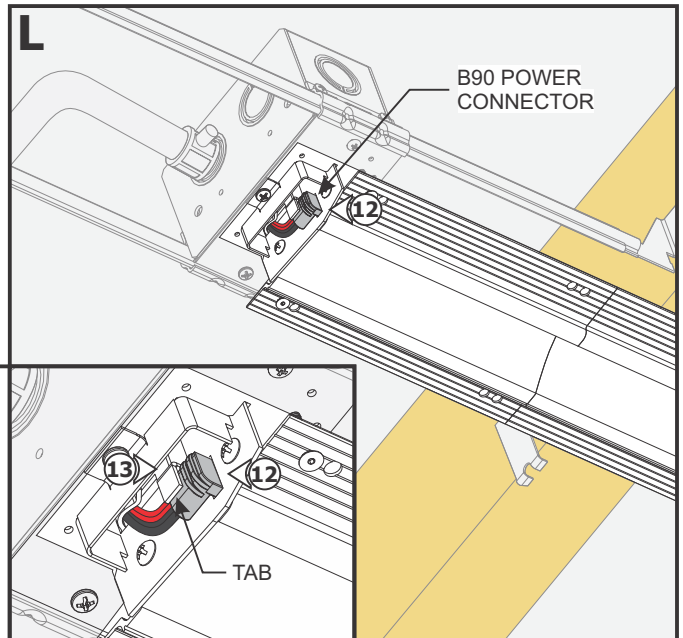
NOTE: Remote power supply wires must be present in junction box. Refer to instructions provided with power supply.

9: Connect the red low voltage wire of the power supply to the red wires of either the B90 connector or Snap & Light connector with a wire nut.

10: Connect the black low voltage wire of the power supply to the black wires of the same connector with a wire nut.

11: Place all wire nut connections inside the junction box.

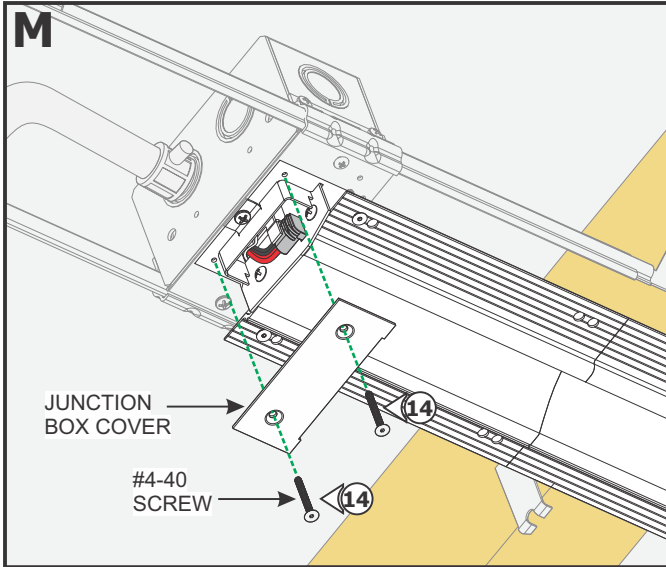
CAUTION: Unroll the entire LED strip from the reel and use the power connector to power the strip making sure there is no outage before continuing with the installation. Afterwards, carefully roll the LED strip loosely back into the reel.



12: Place the B90 connector into the opening slot of the end cap cover.

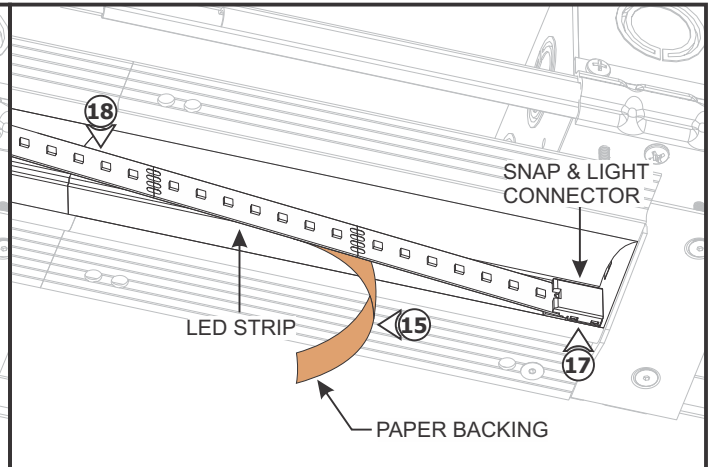
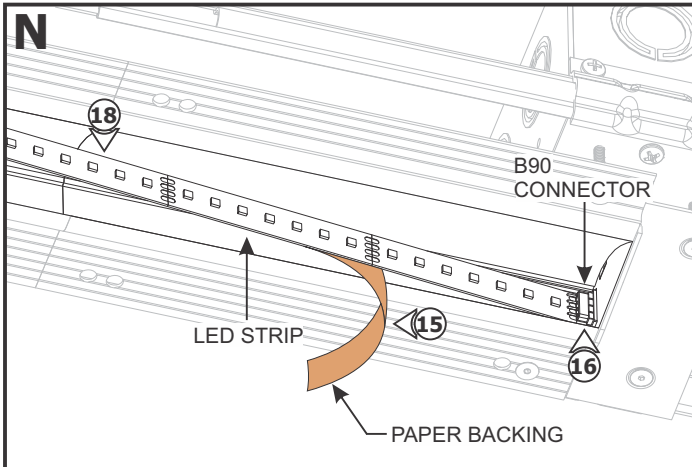
13: Use needle-nose pliers to bend up the tab on the end cap cover to secure the B90 connector or wires of the Snap & Light connector in place.

NOTE: Note the alignment of the red +24VDC connection of each power connector to ensure proper alignment when installing LED strip in later steps.



14: Secure the junction box cover to the junction box using the two #4-40 screws.

NOTE: Refer to Section Three in the Reveal Wall Wash Channel and Lens instructions to tape and plaster.

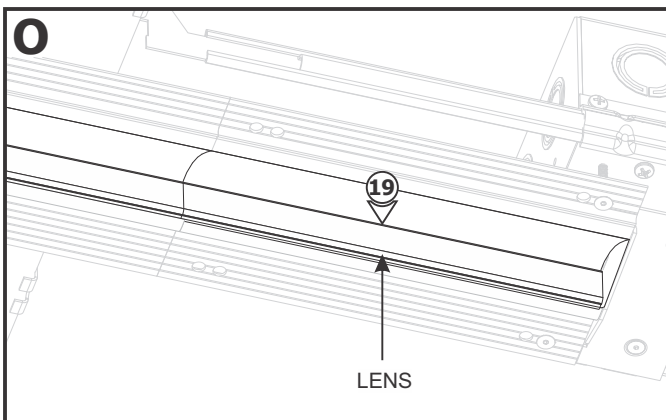


15: Carefully remove the backing from the LED strip, making sure not to remove the tape from the LED strip.

16: If using B90 connector, line up the red wire side of the power connector with the "24VDC" marking on the LED strip. Push the male connector of the strip into the power connector.

17: If using Snap & Light connector, insert the LED strip into the Snap & Light connector so that the "+24VDC" mark on the strip is aligned with the red wires. Ensure the LED strip contacts align fully with the contact pins. Push the LED strip completely into the contact pins.

18: Firmly press down the adhesive portion of the LED strip onto the channel surface while removing the rest of the backing, making sure there are no air bubbles that can cause surface irregularities.



19: Snap the lens onto the channel. Ensure the lenses are fully seated.