



1718 W. Fullerton Chicago, IL 60614  
 Ph: 773.770.1195 • Fax: 773.935.5613  
 www.PureEdgeLighting.com • info@PureEdgeLighting.com  
 © 2016 PureEdge Lighting. All Rights Reserved.

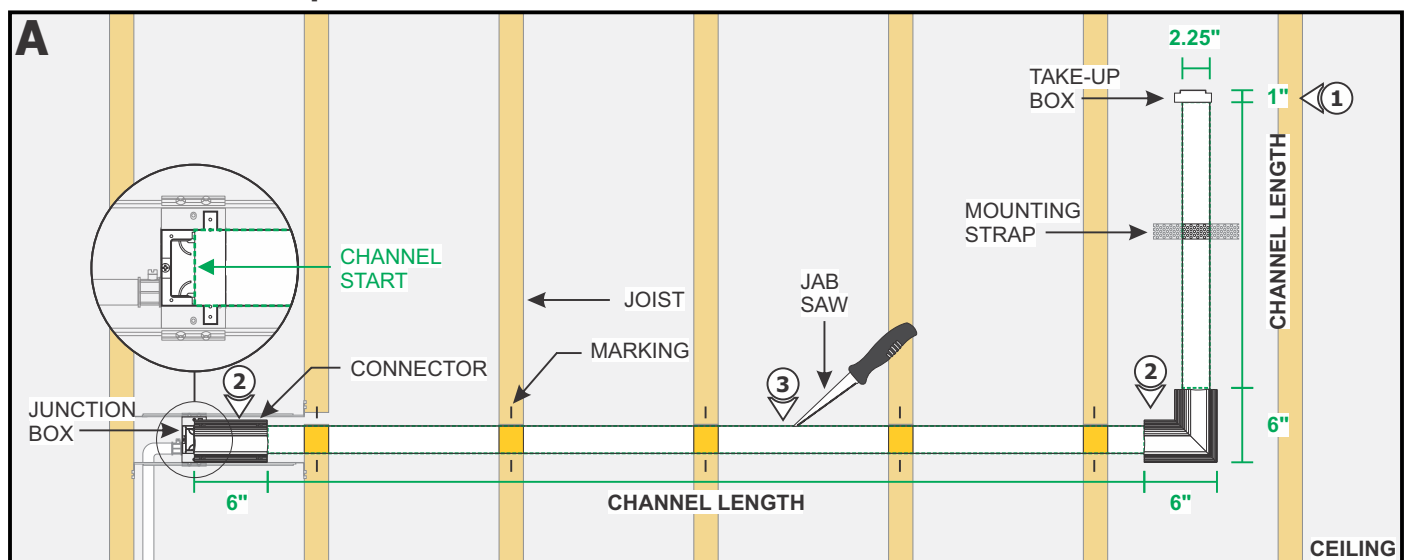
## Installation Instructions for Reveal Wall Wash Channel and Lens

### IMPORTANT INFORMATION

- Reveal Wall Wash must be mounted 24" away from the wall.
- This instruction must be used concurrently with other Reveal Wall Wash BIY installation instructions.
- This product ceiling mount only.
- This instruction shows a typical installation.

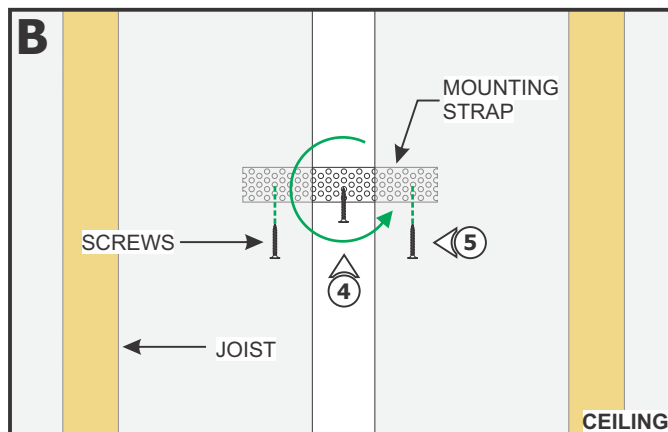
**SAVE THESE INSTRUCTIONS!**

### Section One: Prepare and Cut the Channel



**NOTE:** Refer to the instructions provided with any of the Reveal Wall Wash power connectors to install the junction box.

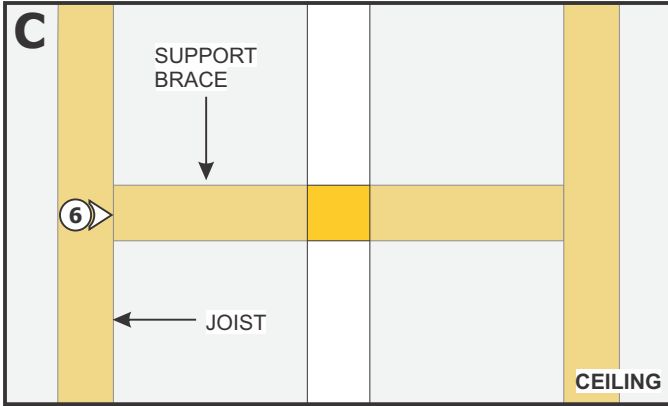
- 1: Mark the area where the installation will be located on the ceiling using the drywall cutout template as a guide (MIN 2.25"). Allow for 1" extra space at the end of the installation for the Take-Up Box.
- 2: Place the desired BIY Channel Connectors against the ceiling. Ensure the connector is aligned with the installation location. Mark the location of each BIY Channel Connector to determine the cut length of the channel and lens.
- 3: Cut out the marked area using a "Dremel Multi-Max" or a 6" Fixed Jab Saw. Mark the location of the joists on the drywall.



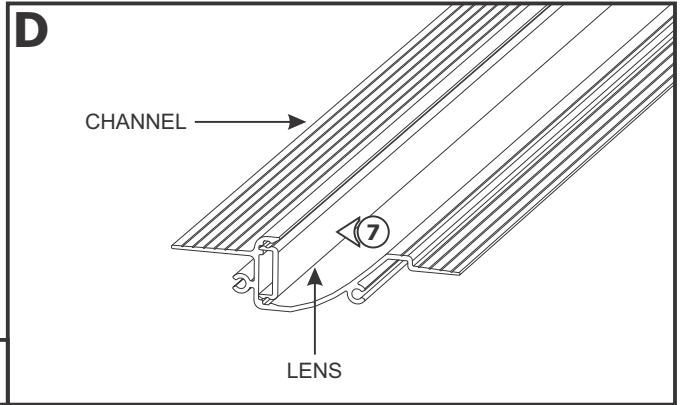
**NOTE:** To install the channel in a wall without standard spaced studs/joists, install perforated mounting straps every 32" behind drywall.

**NOTE:** For areas with lots of vibrations, it is suggest to install 2X4 support braces (suggested spacing is every 32") before installing and finishing drywall to avoid cracking of plaster. Refer to step 6.

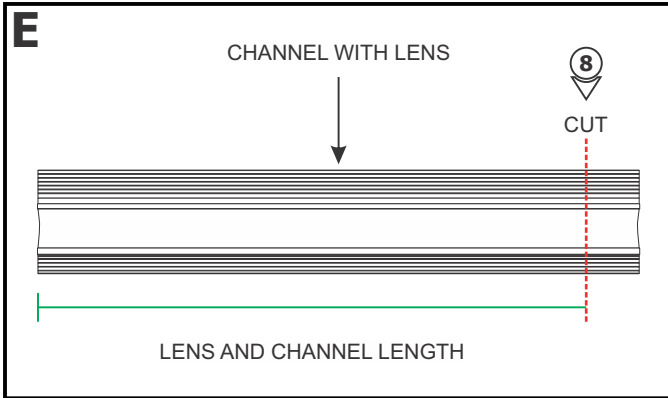
- 4: Thread a drywall screw into the perforated material. Place the mounting strap behind the drywall and rotate into place using the drywall screw.
- 5: Secure the mounting strap to the drywall using two drywall screws. Mark the location on the mounting strap on the drywall.



**ALTERNATE INSTALLATION OPTION:**  
**6:** Install 2X4 support braces (suggested spacing every 32") before installing and finishing drywall.

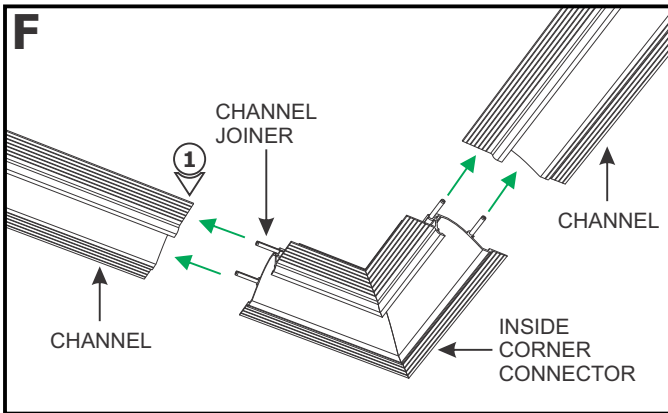


**7:** Snap the lens into the channel **BEFORE** cutting to length. This ensures a proper fit after installation.



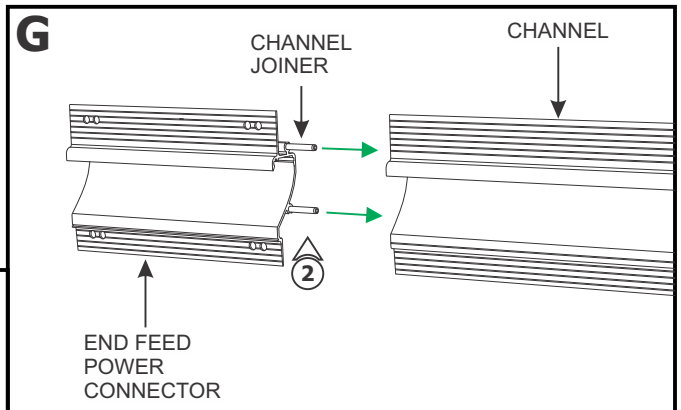
**8:** Cut the channel and lens to match the desired lit installation length.

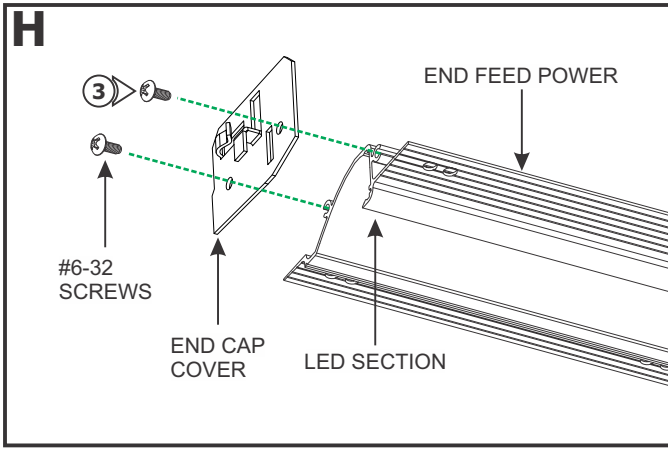
**Section Two: Install Channels and Connectors**



**1:** Install channel connector(s) to the channels. Refer to the instructions provided with the desired Reveal Wall Wash Channel Connector.  
**NOTE:** RVWW-LI is shown for demonstration purposes.

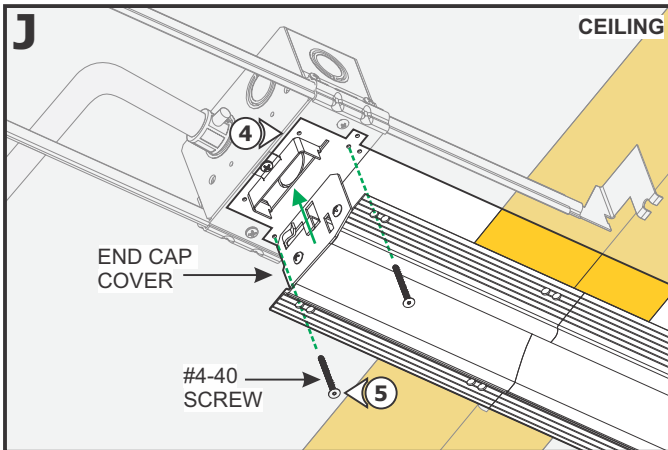
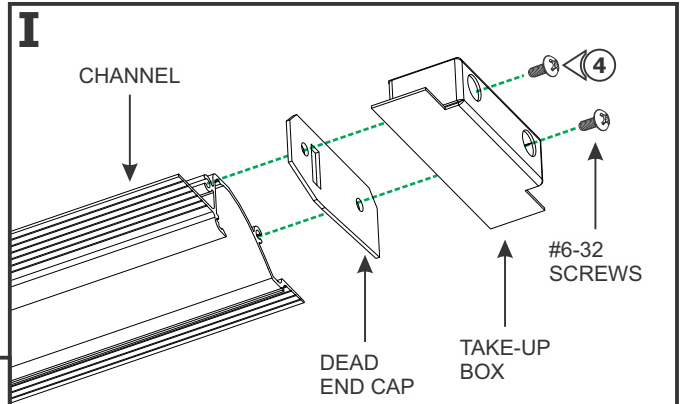
**2:** Install RVWW powered connectors to the channels. Slide a channel onto the channel joiners of the End Feed Power Connector.  
**NOTE:** RVWW-EP is shown for demonstration purposes.





**3:** Attach the end cap cover to the End Feed Power connector using the two #6-32 screws. Align the slot with the LED section of the channel.

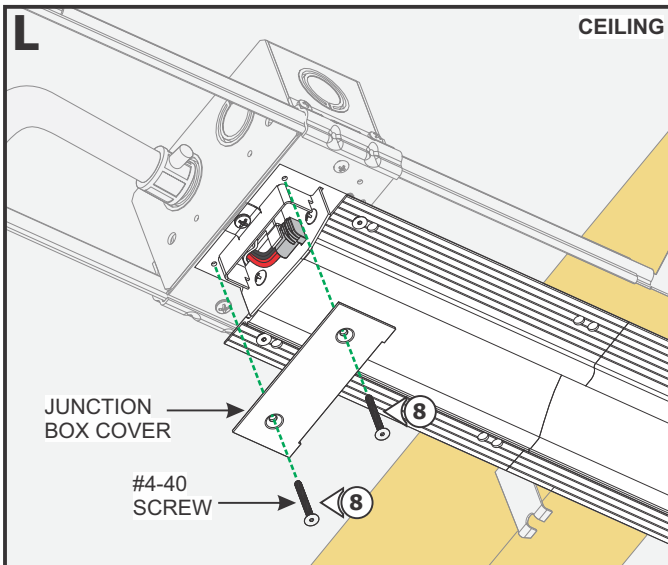
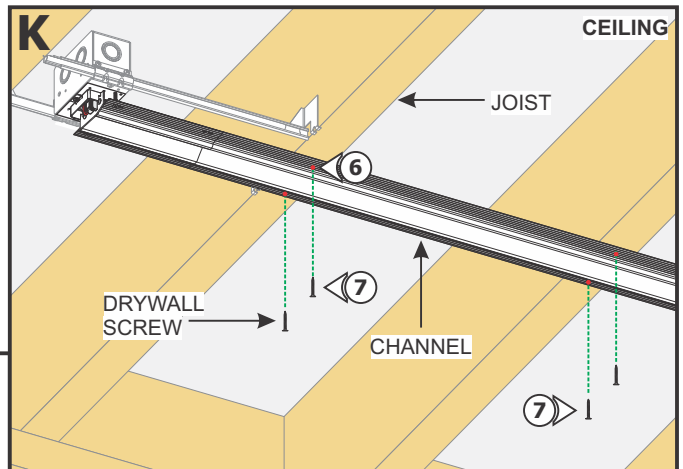
**4:** Install the dead end cap and take-up box to the opposite end of the channel using the two #6-32 screws. Align the slot with the LED section of the channel.



**5:** Secure the End Feed power connector to the junction box with the two #4-40 screws using a 1/16" Allen wrench.

**6:** Drill and countersink holes to the channel at marked joist locations.

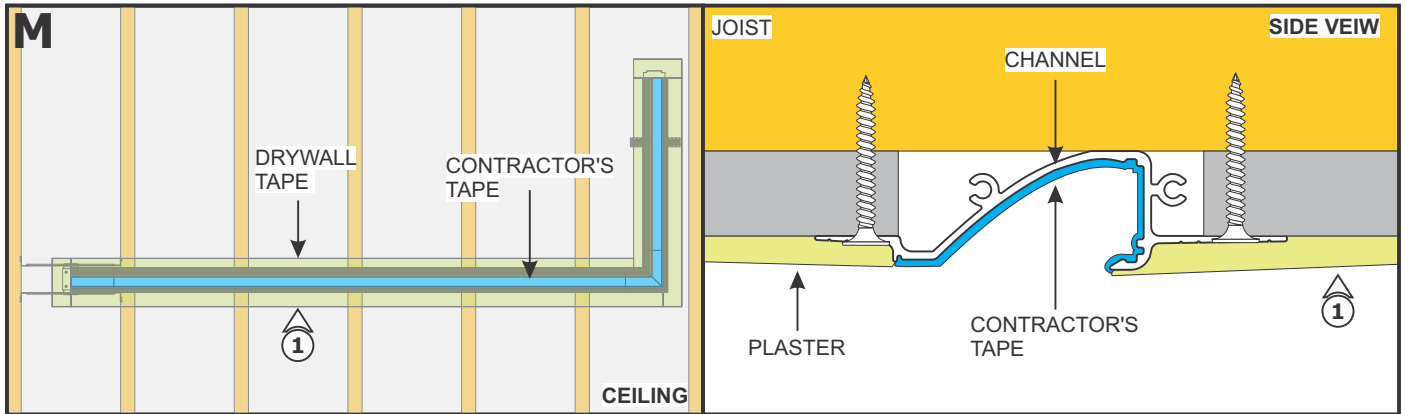
**7:** Secure channel to the joists using drywall screws.



**NOTE:** Refer to the instructions provided with the RVWW-EP or RVWW-CFP to wire and install the B90 Connector or Snap & Light Connector.

**8:** Secure the junction box cover to the mounting plate using the two #4-40 screws.

## Section Three: Tape and Plaster

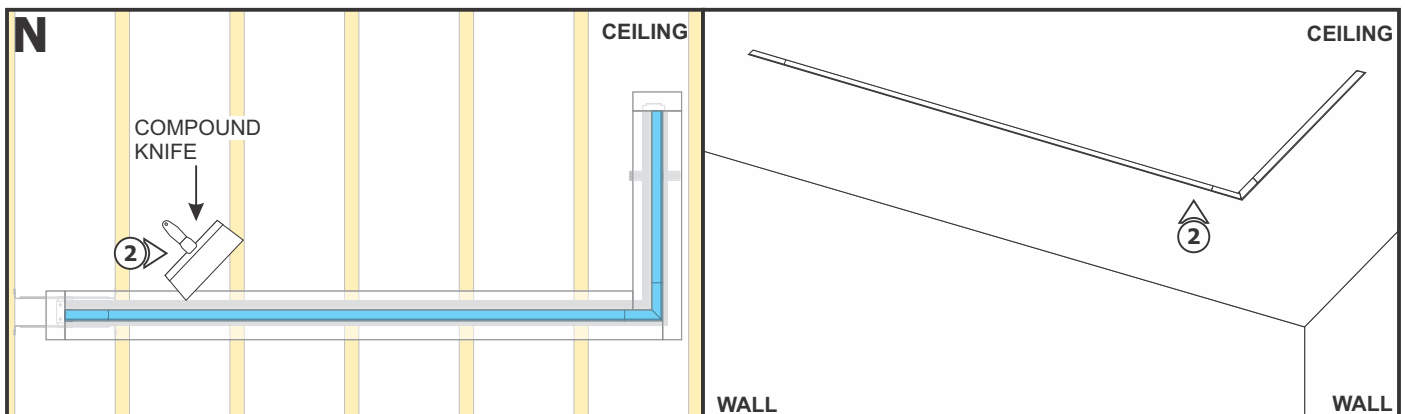


**NOTE:** Cover the channel opening with contractor's tape before plastering.

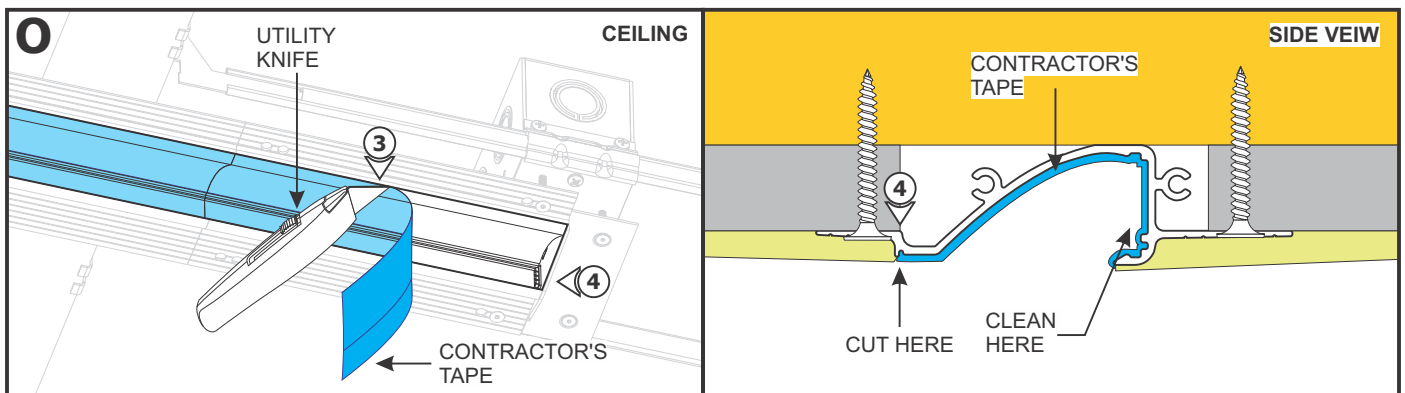
**NOTE:** For areas with lots of vibration, it is suggested to use Durabond to avoid cracking of plaster.

**NOTE: Do Not use premixed joint compound "Soft Mud." No use compuesto para juntas premezclado "Soft Mud."**

1: Must apply drywall tape (Ultra-Thin drywall tape suggested) along edges of channel to prevent cracking of plaster after installation. **DO NOT** overlap strips of drywall tape.



2: Use a compound knife for a smooth compound spread. Sand, paint, and finish the plaster and drywall before removing the contractor's tape.

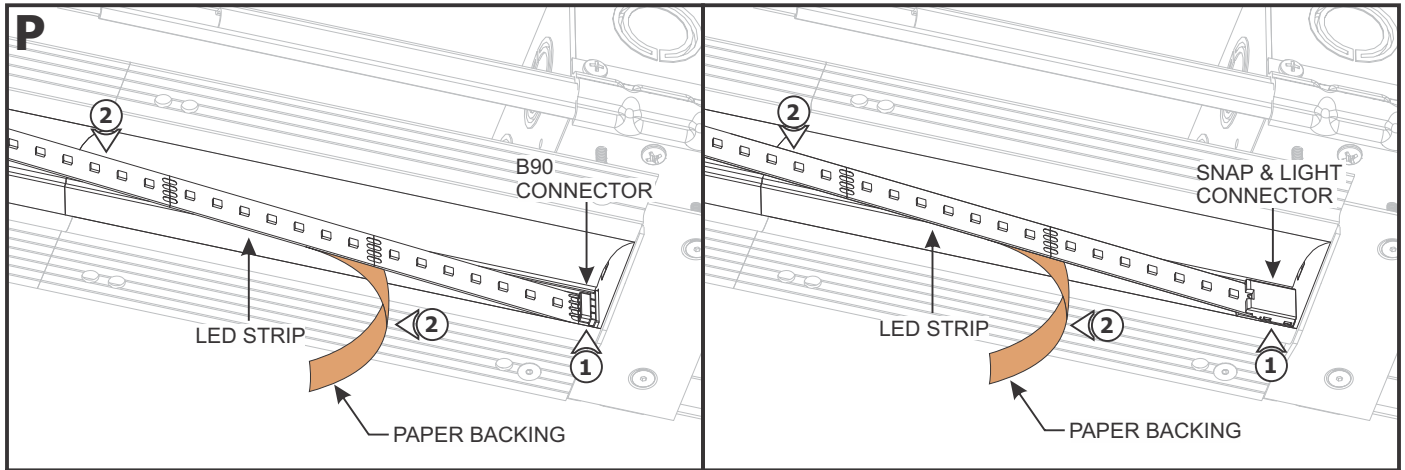


**NOTE:** Clean the channel area where the LED strip will be installed with alcohol to remove any dust or debris before continuing.

3: Use a utility knife to cut along the channel gutter while removing the contractor's tape from the channel. This will avoid plaster and paint damage during tape removal.

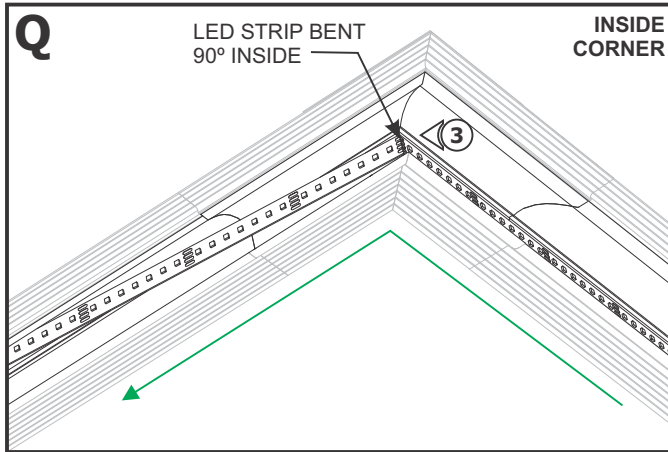
4: Run the utility knife along the channel edge near the area where the LED strip will be installed to remove any excess paint.

## Section Four: Install LED Soft Strip and Lens



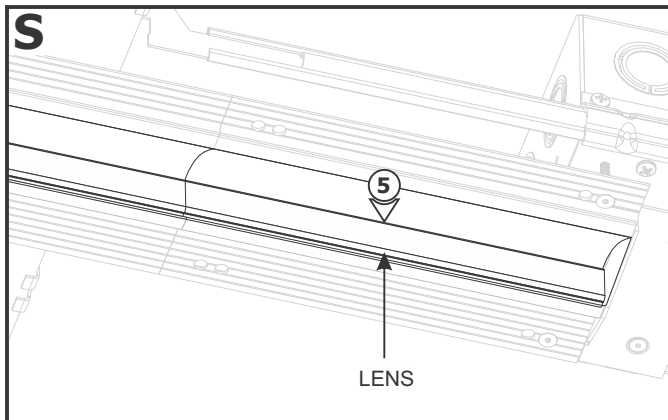
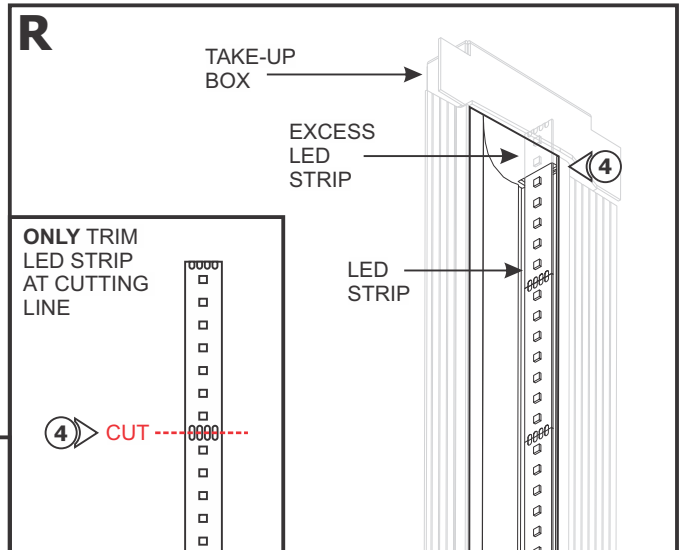
**NOTE:** If installation requires RGB, RGB+W, or Tunable White, refer to wiring diagrams on pages 7-9.

- 1: Connect the LED strip to the power connector. Refer to the instructions provided with the RVWW-EP or CFP to connect the LED strip to the desired power connector.
- 2: Carefully remove the backing from the LED strip, making sure not to remove the tape from the LED strip. Firmly press down the adhesive portion of the LED strip onto the channel surface while removing the rest of the backing, making sure there are no air bubbles that can cause surface irregularities.



- 3: For corners, bend the LED strip 90° on the channel to match the corners.

- 4: If required, trim the LED strip on the dashed cuttable section and place the excess LED strip inside the take-up box. Ensure the entire length of the channel is covered with LED strips to avoid unlit areas.



- 5: Snap the lenses onto the channels. Ensure the lenses are fully seated.

## IMPORTANT INFORMATION REGARDING INSTALLATION AND REWORK OF SOFT STRIP LED

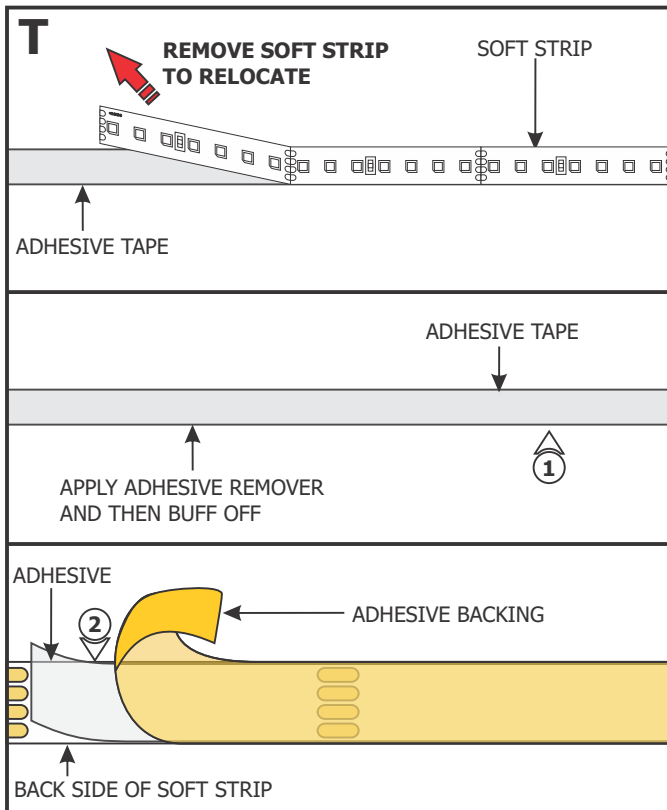
**DO** gently pull up and away from the soft strip if removing to reposition. This avoids damaging the strip.

**DO NOT** pull the strip back towards itself. Doing so risks damaging the strip and making it not function.

**DO** only ever use fingers to gently install soft strip to a surface **AFTER** cleaning the surface with alcohol.

**DO NOT** use any tool to install soft strip to a surface. This will damage the soft strip component.

### Section Five: Relocating Soft Strip (Optional)

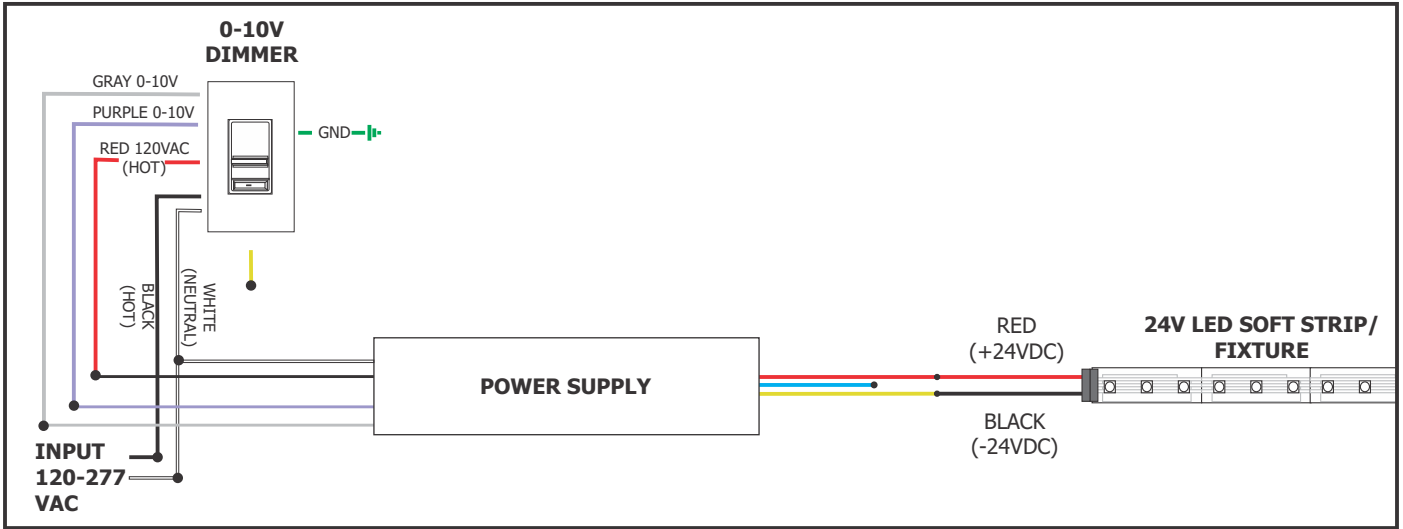


**NOTE:** If relocating the installed soft strip, make sure that the adhesive tape on back of the soft strip covers the entire strip. The adhesive tape isolates the strip from the installation surface. Damaged or inconsistent adhesive tape may cause the contacts on the back of the strip to come in contact with the conductive heat sink which will cause the strip to short and burn. Call Edge Lighting to get replacement adhesive tape and/or optional aluminum heat sink tape (SS-HR-F).

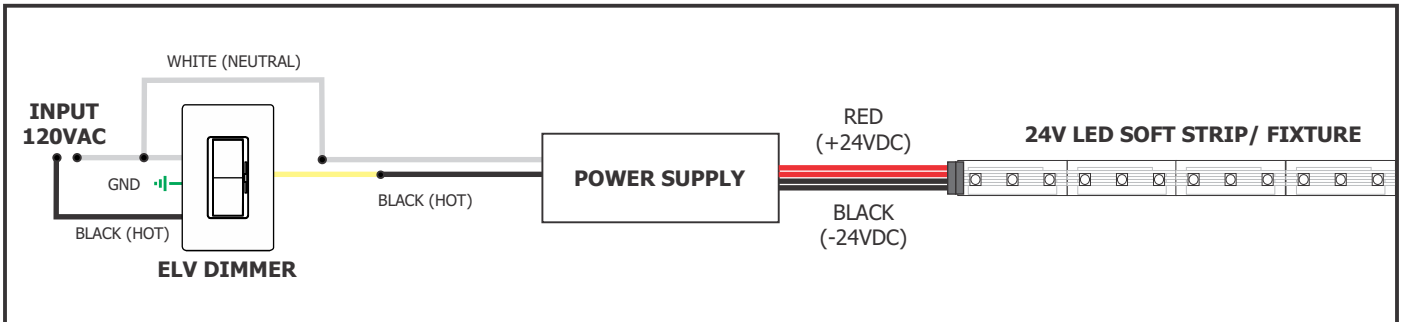
- 1:** To remove tape residue from back of the strip, apply WD-40, Goo Gone, or a mixture of warm water and lemon oil to the corner of a clean, dry towel. Gently buff the area containing the adhesive residue until it is completely removed.
- 2:** Gently remove a few inches from one side of the tape backing. Attach the adhesive tape to the back of the soft strip and apply moderate pressure to affix the tape. Continue this step a few inches at a time until the entire adhesive tape is attached to back of the soft strip.
- 3:** Refer to Section Four to reinstall the LED strip.

# Section Six: Wiring Diagrams

## General 0-10V Configuration

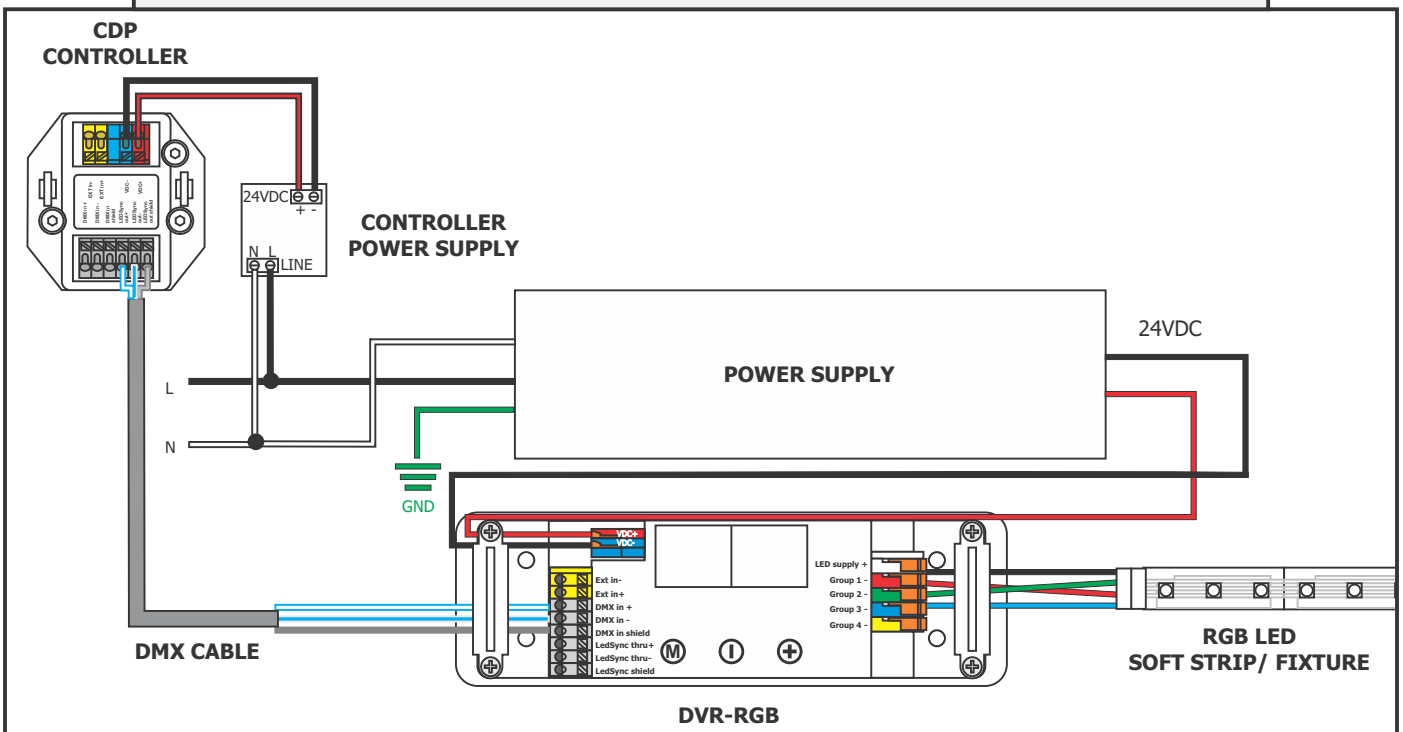


## General 24VDC Configuration



## Standard RGB Configuration

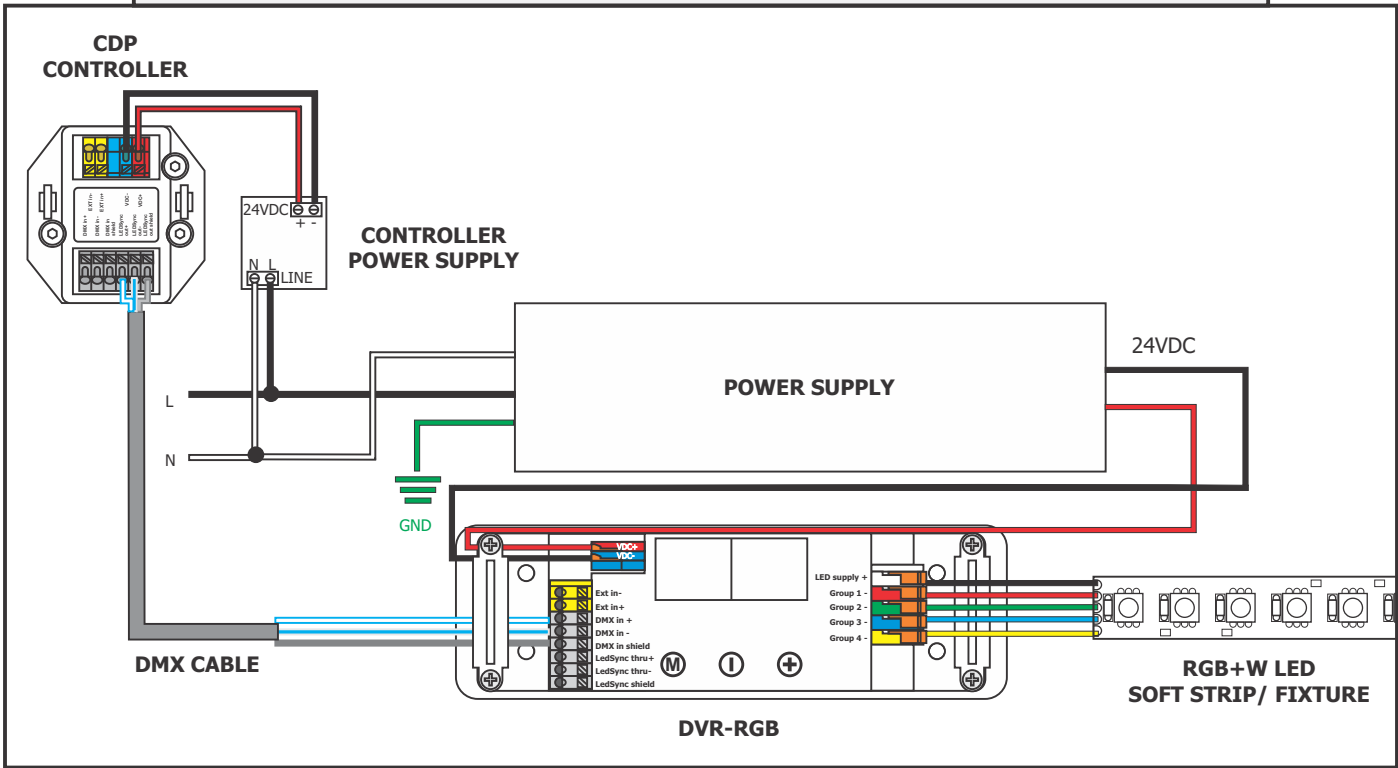
### Using LED Power Supply with RGB Soft Strip & CDP, CTP or CDMX Control



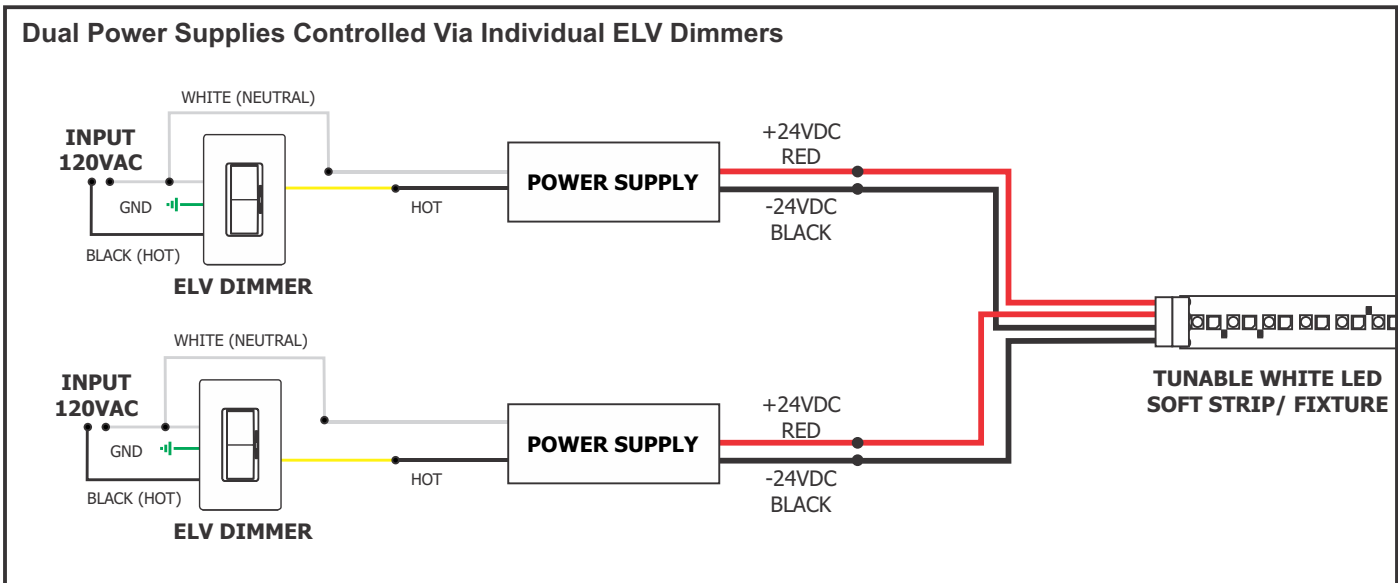


# RGB+W Configuration

Using LED Power Supply with RGB+W Soft Strip & CDP, CTP or CDMX Control



# Tunable White Configuration





# Tunable White Configuration

