



1718 W. Fullerton Chicago, IL 60614  
 Ph: 773.770.1195 • Fax: 773.935.5613  
 www.PureEdgeLighting.com • info@PureEdgeLighting.com  
 © 2016 PureEdge Lighting. All Rights Reserved.

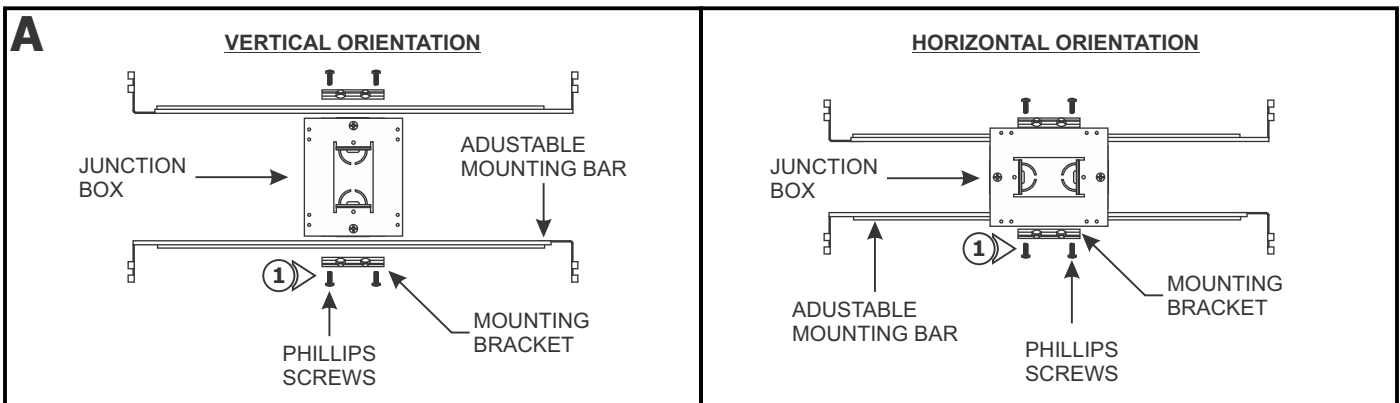
## Installation Instructions for Reveal Wall Wash Center Feed Power Connector

### IMPORTANT INFORMATION

- Reveal Wall Wash must be mounted 24" away from the wall.
- This instruction must be used concurrently with other Reveal Wall Wash DIY installation instructions.
- This product ceiling mount only.
- This instruction shows a typical installation.

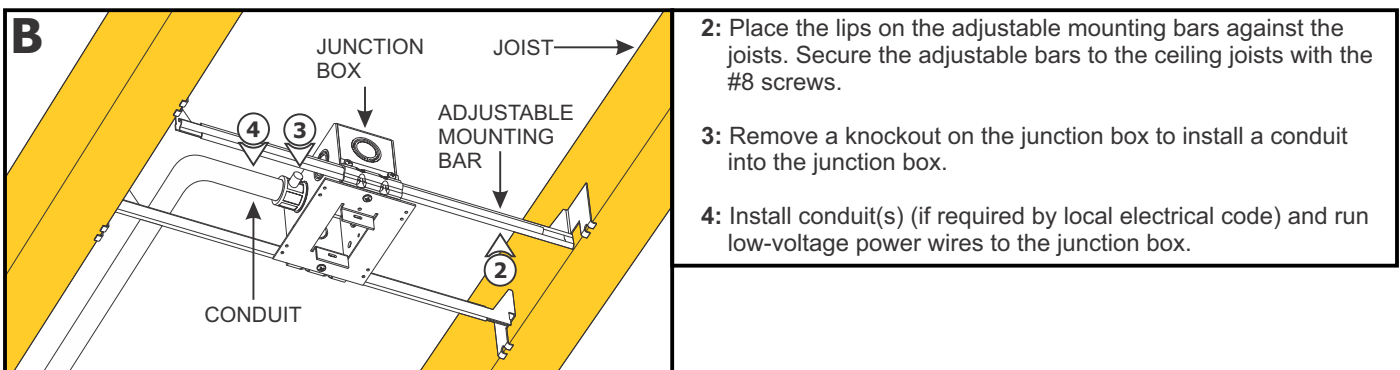
**SAVE THESE INSTRUCTIONS!**

### Section One: Install the Junction Box



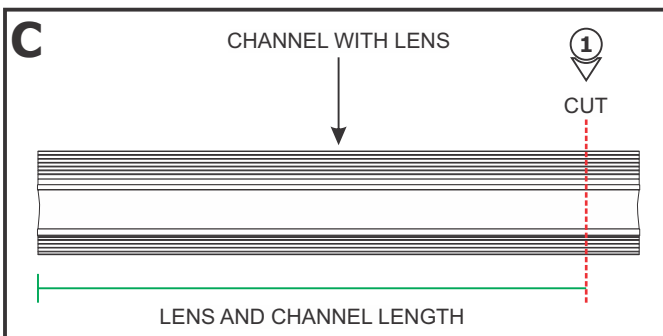
**NOTE:** The adjustable mounting bars mount to joists/studs that are spaced 14.5" to 25" apart.

- 1: Mount each adjustable mounting bar to one side of the junction box (mounts to any side of the housing depending on the orientation of the channel) and secure them with the mounting brackets and two Phillips screws provided.

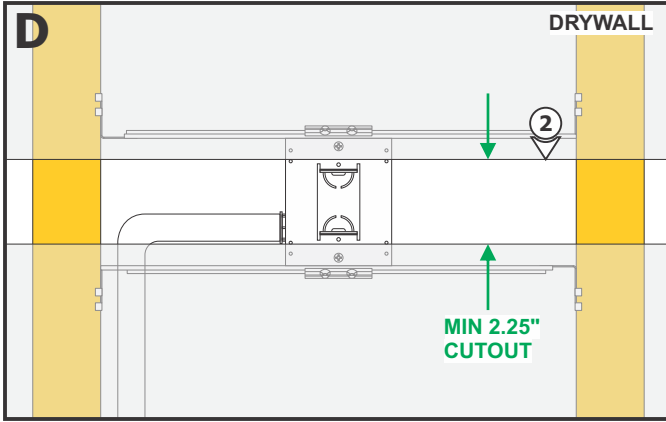


- 2: Place the lips on the adjustable mounting bars against the joists. Secure the adjustable bars to the ceiling joists with the #8 screws.
- 3: Remove a knockout on the junction box to install a conduit into the junction box.
- 4: Install conduit(s) (if required by local electrical code) and run low-voltage power wires to the junction box.

### Section Two: Prepare and Install the Center Feed Power Connector

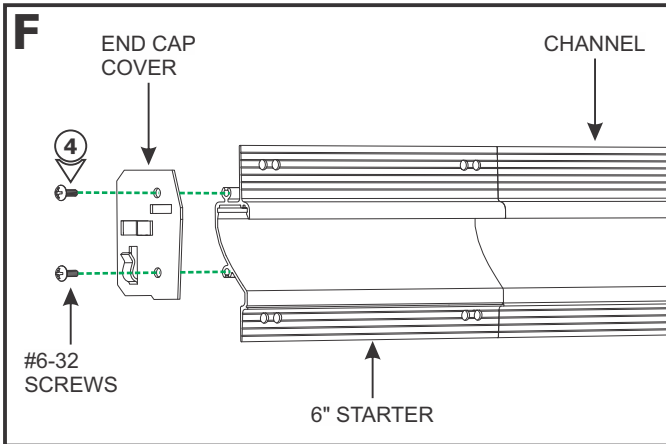
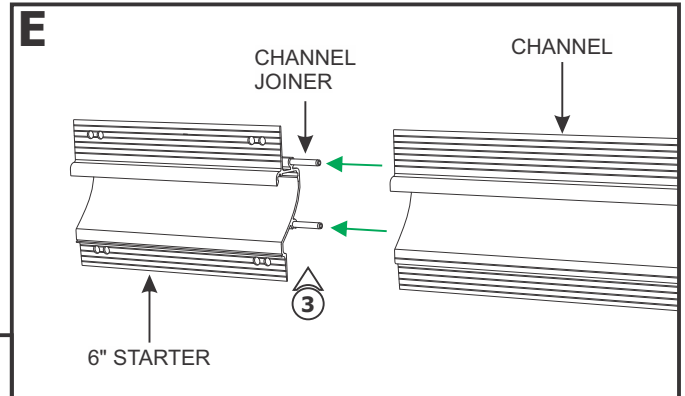


- 1: Refer to Section One in the Reveal Wall Wash Channel and Lens instructions to measure and cut the channel and lens before continuing.



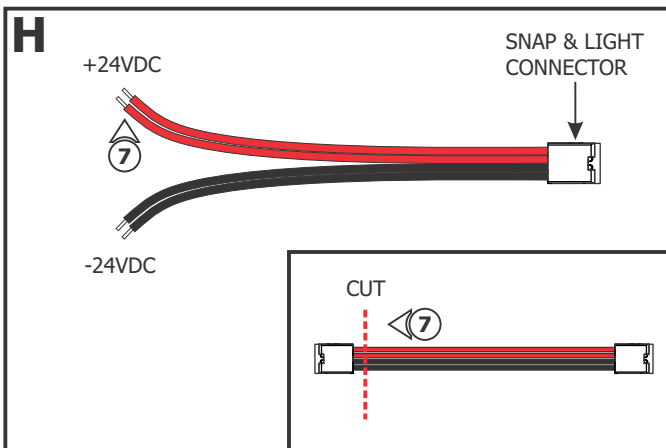
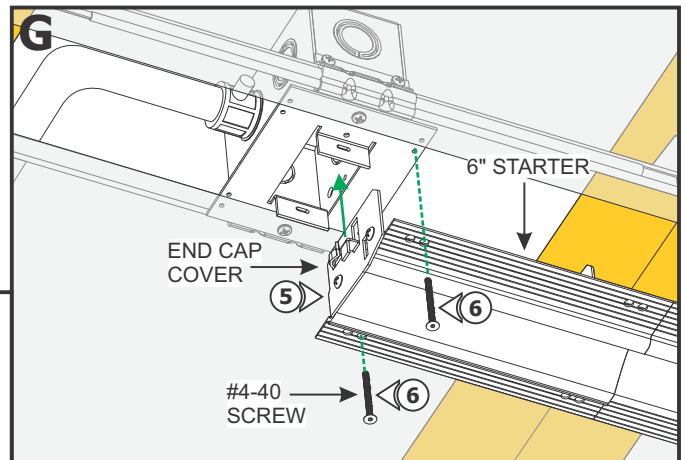
**2:** Install the drywall. Mark the installation length on the drywall (MIN 2.25" wide) and cut out the marked area using a 6" fixed jab saw or other appropriate tool.

**3:** Slide a channel onto the channel joiners of the 6" Center Feed Starter Channel.



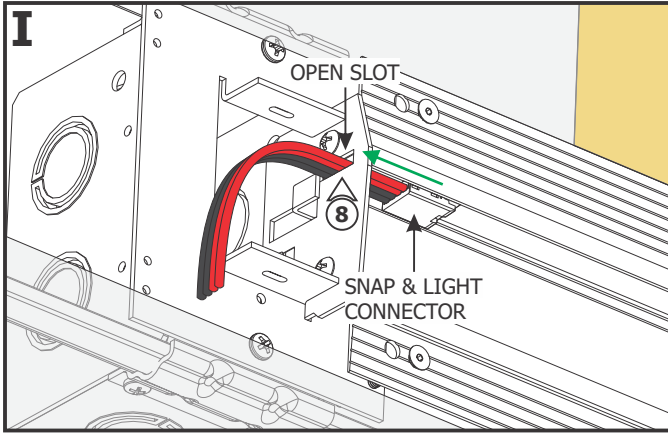
**4:** Attach the end cap cover to the 6" Center Feed Starter Channel using the two #6-32 screws.

**5:** Align the end cap cover with the mounting plate opening and push the channel assembly into the drywall cutout on the ceiling.  
**6:** Secure the 6" Starter to the mounting plate using two #4-40 screws.



**NOTE:** Omit steps 7 and 8 if using B90 connector with pin-based Soft Strip.

**7:** If using the Snap & Light connector with standard Soft Strip, cut the end of the power cord and discard the unused connector. Strip the ends of the wires.



8: Feed the wires of the Snap & Light connector through the opening slot of the end cap cover.

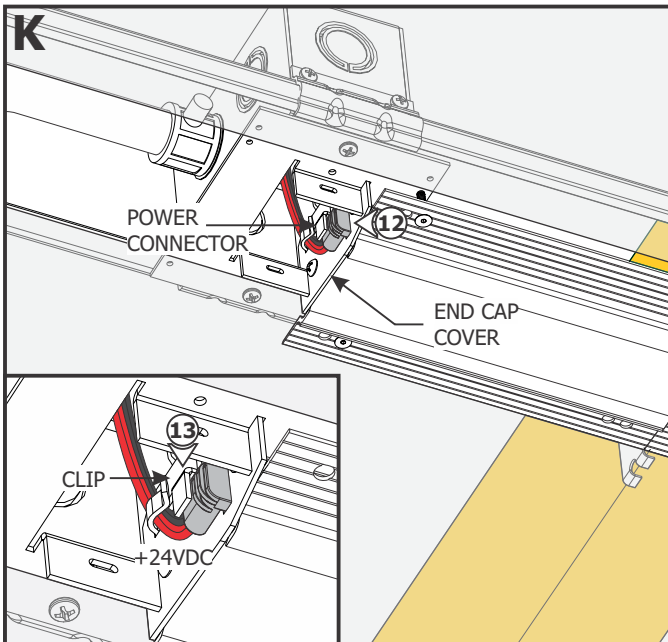
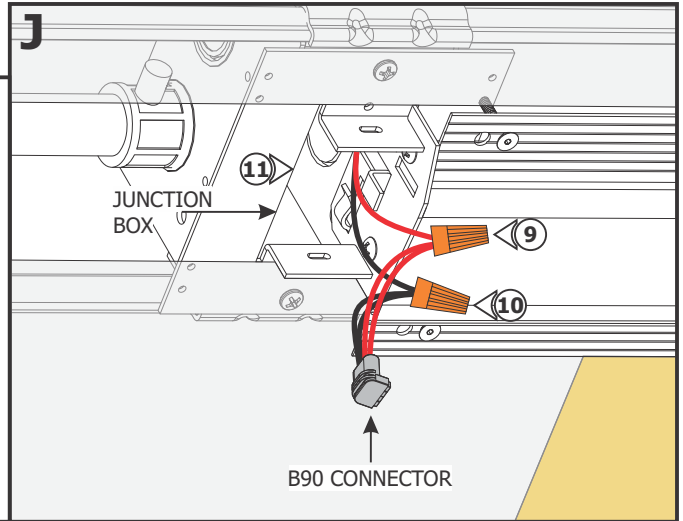
**NOTE:** Remote power supply wires must be present in junction box. Refer to instructions provided with power supply.

9: Connect the red low voltage wire of the power supply to the red wires of either the B90 connector or Snap & Light connector with a wire nut.

10: Connect the black low voltage wire of the power supply to the black wires of the same connector with a wire nut.

11: Place all wire nut connections inside the junction box.

**CAUTION:** Unroll the entire LED strip from the reel and use the power connector to power the strip making sure there is no outage before continuing with the installation. Afterwards, carefully roll the LED strip loosely back into the reel.

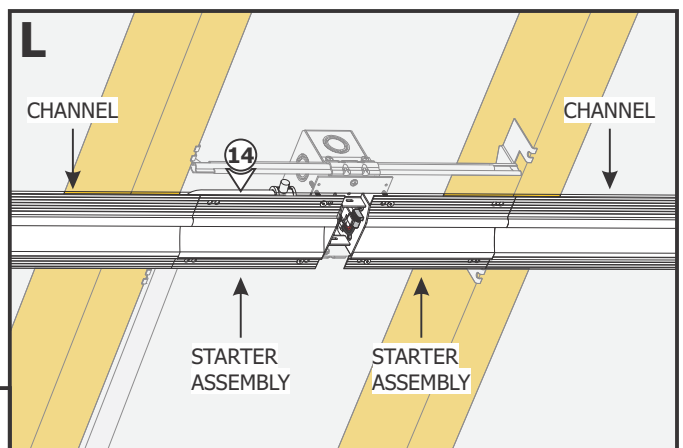


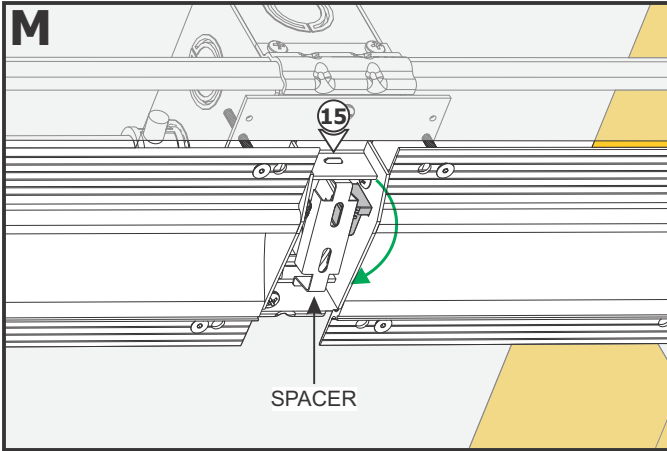
12: Place the B90 connector into the opening slot of the end cap cover.

13: Use needle-nose pliers to bend up the tab on the end cap cover to secure the B90 connector or wires of the Snap & Light connector in place.

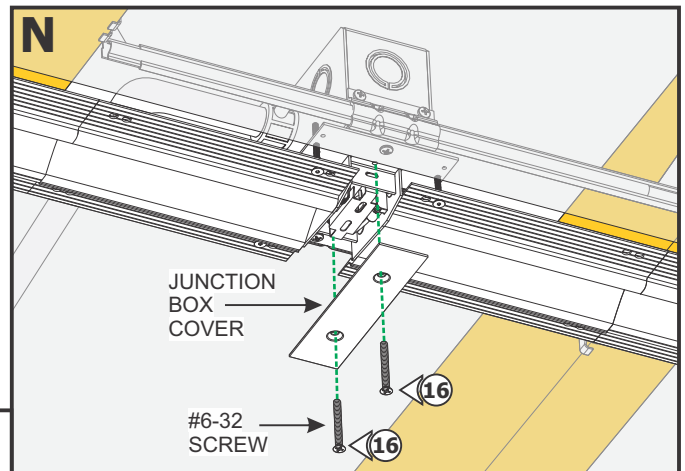
**NOTE:** Note the alignment of the red +24VDC connection of each power connector to ensure proper alignment when installing LED strip in later steps.

14: Repeat steps 3 through 13 for the second Center Feed Starter assembly.

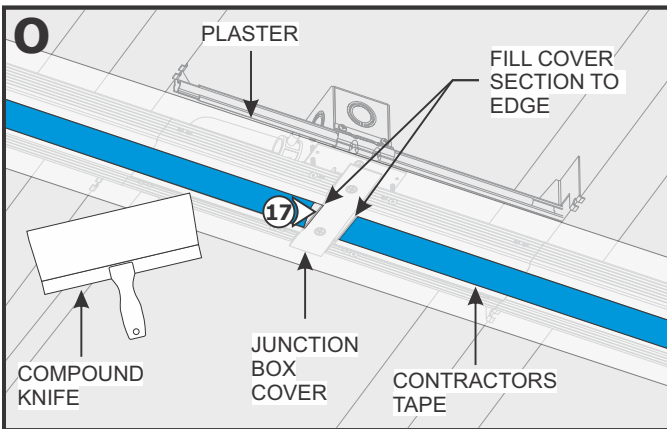




**15:** Insert one end of the spacer into the mounting plate. Press and snap the spacer into the mounting plate.

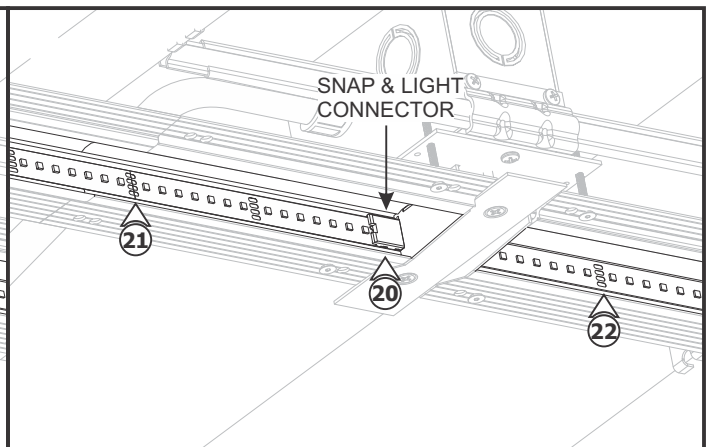
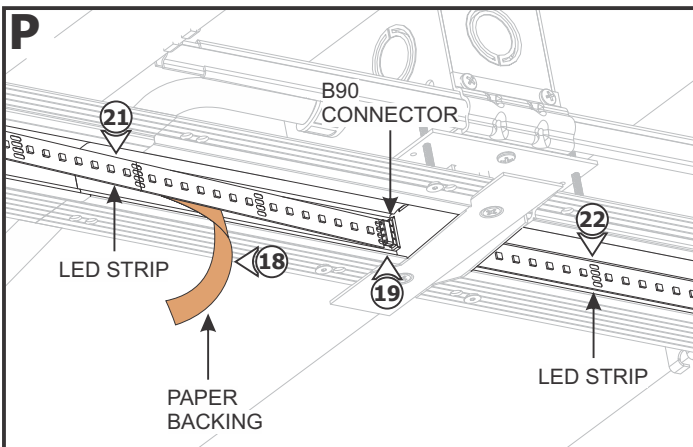


**16:** Secure the junction box cover to the mounting plate using the two #6-32 screws.



**NOTE:** Refer to Section Three in the Reveal Wall Wash Channel and Lens instructions to tape and plaster.

**17:** Ensure that plaster fills the junction box cover section of the installation to the edge to provide a seamless surface.



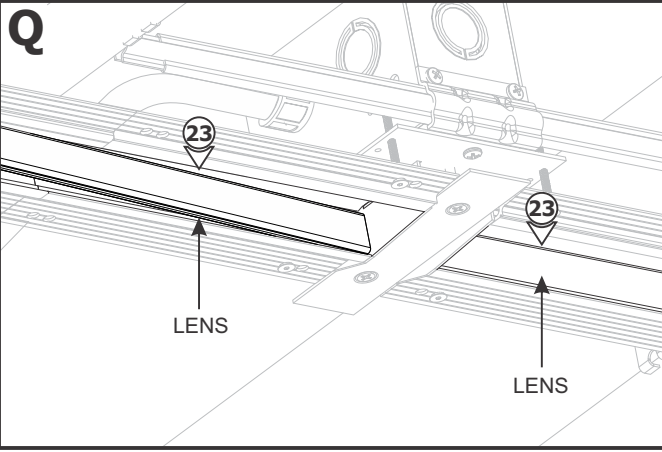
**18:** Carefully remove the backing from the LED strip, making sure not to remove the tape from the LED strip.

**19:** If using B90 connector, line up the red wire side of the power connector with the "24VDC" marking on the LED strip. Push the male connector of the strip into the power connector.

**20:** If using Snap & Light connector, insert the LED strip into the Snap & Light connector so that the "+24VDC" mark on the strip is aligned with the red wires. Ensure the LED strip contacts align fully with the contact pins. Push the LED strip completely into the contact pins.

**21:** Firmly press down the adhesive portion of the LED strip onto the channel surface while removing the rest of the backing, making sure there are no air bubbles that can cause surface irregularities.

**22:** Repeat steps 18 through 21 for the other LED strip.



**23:** Snap the lenses to the Center Feed Power Connector.