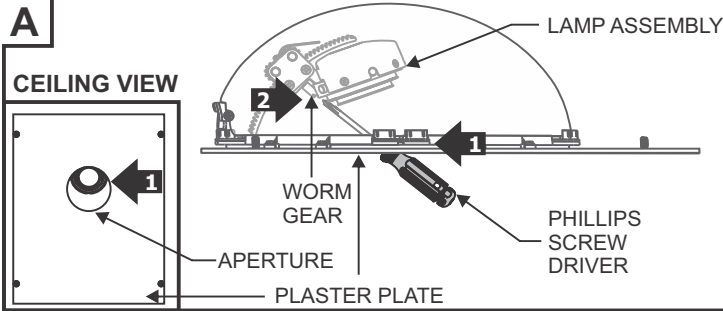
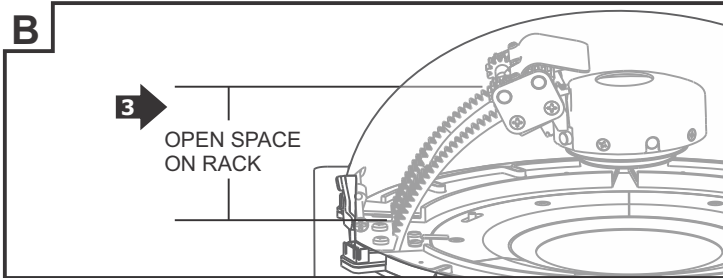


# Installation Instructions For Down Light Gear Cover (AGG)

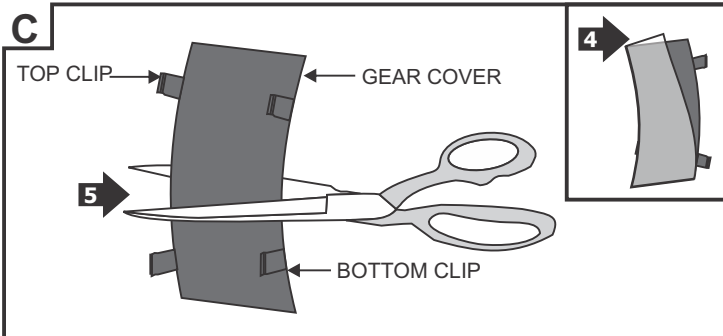


1: Insert a Phillips screw driver into the plaster plate aperture **carefully**.

2: Tighten the worm gear by rotating the Phillips screw driver clockwise to position the lamp assembly to the desired position.

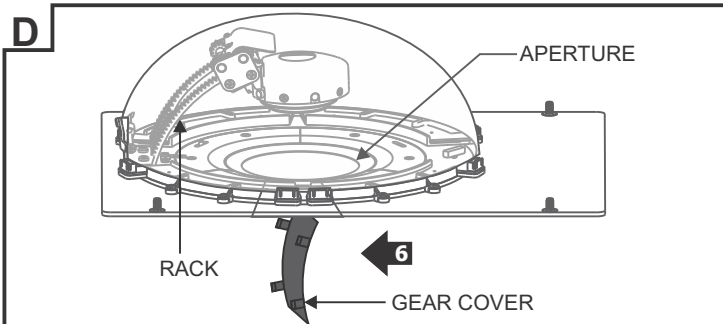


3: Measure the distance of open space on the rack.

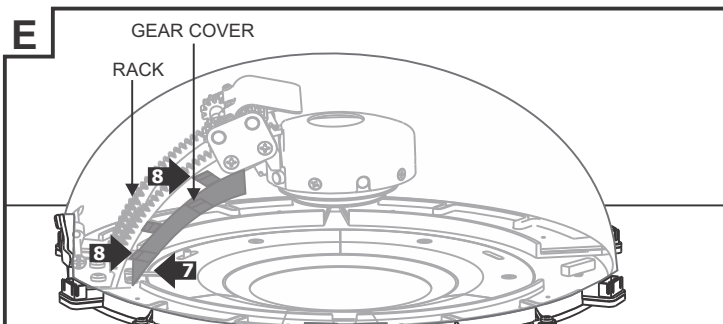


4: Remove the protective film from the gear cover.

5: Cut the gear cover to fit the space **if necessary**.



6: Insert the gear cover (make sure the gear cover clips are facing the lamp assembly rack) from the bottom of the aperture.



7: Position the gear cover edge to the bottom edge of the rack.

8: Secure by snapping in the two bottom clips of the gear cover first to the bottom edge, then snap in the top two clips to the top edge.