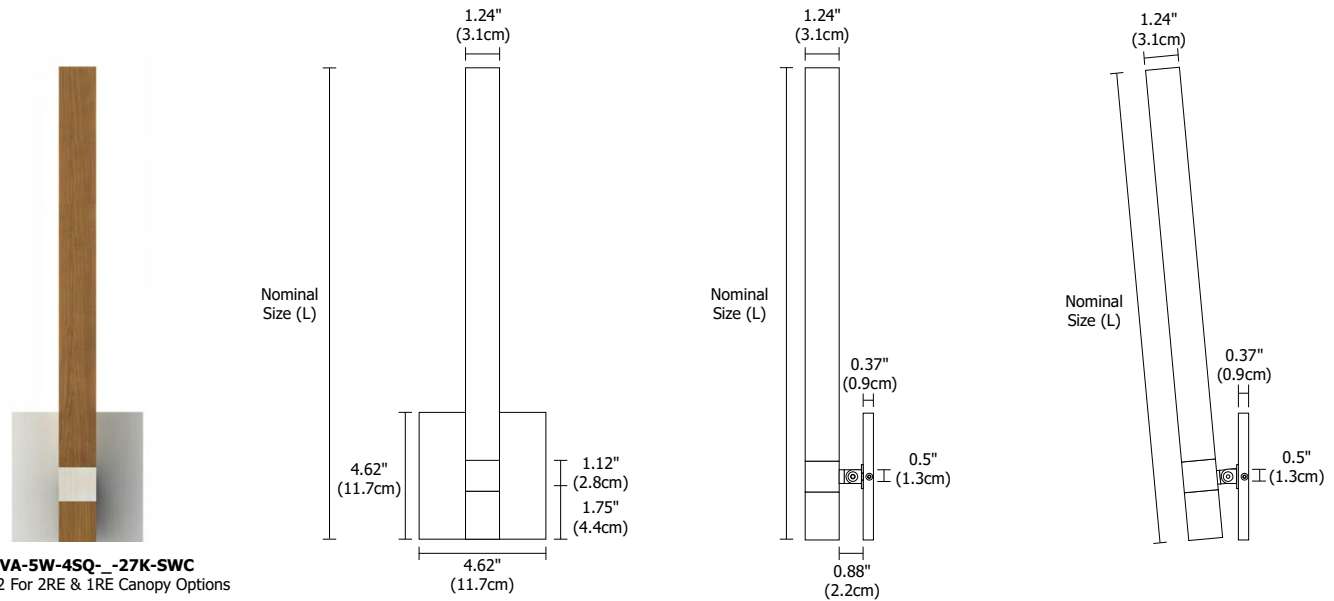


TIE STIX WALL 1-LIGHT VERTICAL ADJUSTABLE 120V/24VDC FIXTURE, 85+ OR 92+CRI

REV.04.05.17 DESIGNED BY GREGORY KAY



TXWVA-5W-4SQ-_-27K-SWC

See Page 2 For 2RE & 1RE Canopy Options

Description:

Tie Stix Wall 1-Light Vertical Adjustable features a direct flat, milky white lens and provides an indirect glow. It features integral hinge for vertical angle adjustment. Channel is available in 5 wood finish options. Canopy and hardware are offered in 3 metal finishes. The fixture contain 85+ or 92+ CRI LEDs. Warm Dim options are 2700K (27D) or 3000K (30D) at 100% and dim to 2000K. Tie Stix is available in various increments from 12 to 46 inches and uses a 24VDC Class 2 electronic low voltage LED power supply (included). 4SQ canopy mounts to standard 4 inch square electrical box with round plaster ring. 2RE mounts to standard 4 inch electrical box with single gang plaster ring or single gang electrical box. 1RE mounts to Slim Profile Junction Box (included) in new construction applications. Power supply fits inside electrical box or Slim Profile Junction Box. Dimmable with an electronic low voltage dimmer. Fixture includes a 5 year warranty.

Applications:

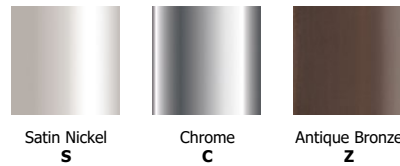
Indoor Only - architectural lighting, task lighting, general lighting, retail

Lamp: 50,000 hours Lamp Life

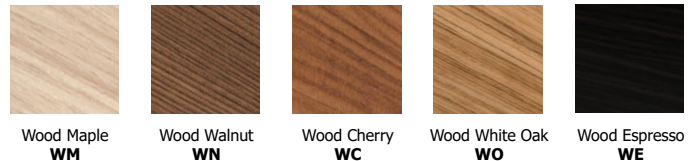
Version	Watts per Foot	Lumens		85+CRI		92+CRI	
		per Watt	per Foot	22K, 35K, 40K, 57K	27K, 30K	27D, 30D	
5W	5W	54	270	●	●	●	

Lumen values are based on the 3000K LED test

Canopy and Hardware Finish:



Channel Finish:



Power Supply:

120V input, 24VDC Class 2 output; electronic low voltage LED power supply (included)

Dimming:

Dimmable with electronic low voltage dimmer: Legrand, Adorne ADTP703TU; Lutron: Diva DVELV-300P, Skylark SELV-300P, Maestro MAELV-600 and Radio Ra 2 dimmers recommended

System	Wattage	Canopy	Nominal Size (L) In Inches	Color Temperature	Canopy and Hardware Finish	Channel Finish
TXWVA	5W	4SQ	12	27K	S	WM
TXWVA Tie Stix Wall 1-Light, Vertical Adjustment	5W 5 Watt	4SQ 4.6" Square 1RE 1" Rectangle with Junction Box 2RE 2"x4" Rectangle	22K - 57K 27D & 30D 12 13.2" 12 12.6" 15 15.6" 15 15.6" 17 18.0" 18 18.6" 22 22.8" 21 21.6" 29 30.0" 30 30.6" 34 34.8" 33 33.6" 46 46.8" 45 45.6"	22K 2200K Amber White 27K 2700K Very Warm White 27D 2700K Warm Dim 30K 3000K Warm White 30D 3000K Warm Dim 35K 3500K Neutral White 40K 4000K Cool White 57K 5700K Daylight White	S Satin Nickel C Chrome Z Antique Bronze	WM Wood Maple WN Wood Walnut WC Wood Cherry WO Wood White Oak WE Wood Espresso

PROJECT:

FIXTURE
TYPE:

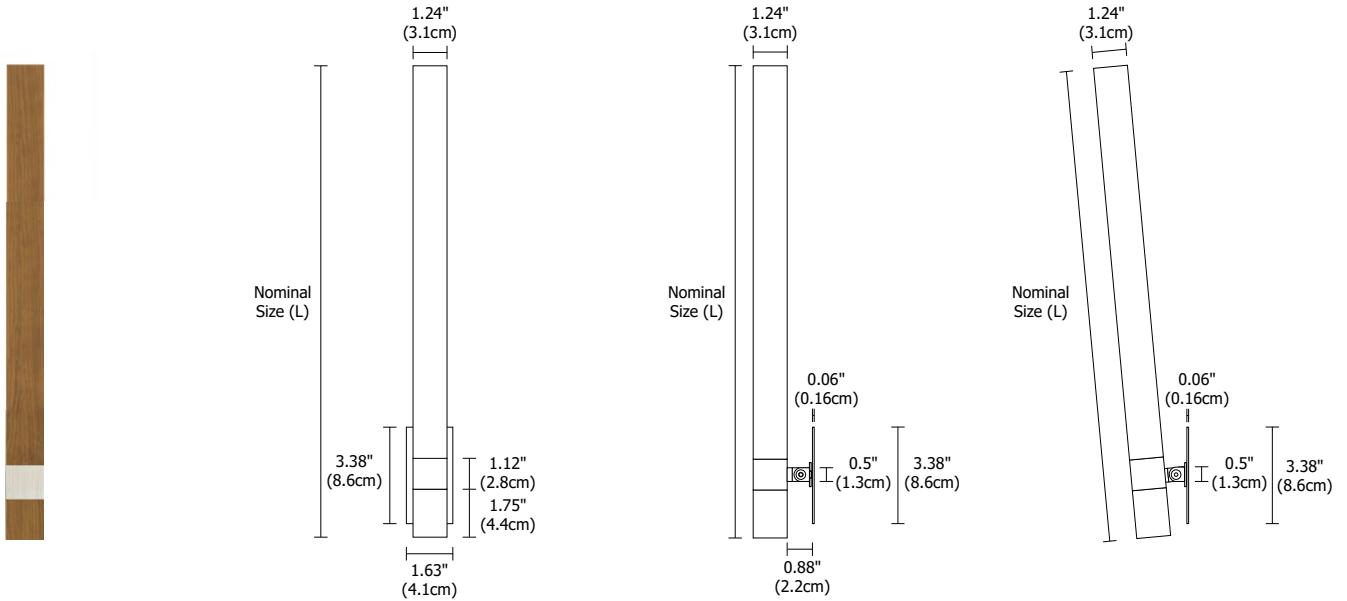
DATE:



TIE STIX WALL 1-LIGHT VERTICAL ADJUSTABLE 120V/24VDC FIXTURE, 85+ OR 92+CRI

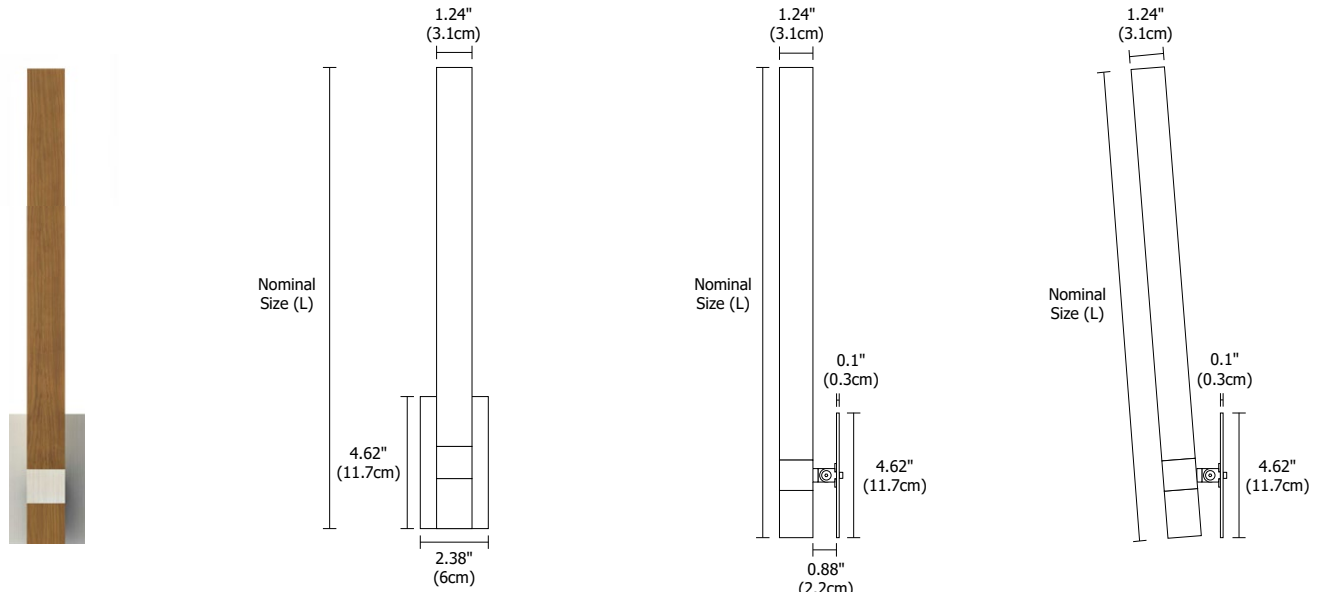
REV.04.05.17

ASSEMBLED IN AMERICA



TXWVA-5W-1RE-_-27K-SWC

1RE Canopy with Junction Box (For New Construction Only)



TXWVA-5W-2RE-_-27K-SWC

2RE Canopy

TIE STIX WALL 1-LIGHT VERTICAL ADJUSTABLE ACTUAL SIZE

22K, 27K, 30K, 35K, 40K and 57K

27D and 30D

ORDERING CODE (NOMINAL SIZE)	OVERALL LENGTH (INCHES)
12	13.2
15	15.6
22	22.8

ORDERING CODE (NOMINAL SIZE)	OVERALL LENGTH (INCHES)
29	30.0
34	34.8
46	46.8

ORDERING CODE (NOMINAL SIZE)	OVERALL LENGTH (INCHES)
12	12.6
15	15.6
21	21.6

ORDERING CODE (NOMINAL SIZE)	OVERALL LENGTH (INCHES)
30	30.6
33	33.6
45	45.6

PROJECT:

FIXTURE TYPE:

DATE:

