

SWING BAR WALL READING LIGHT

REV.12.06.17

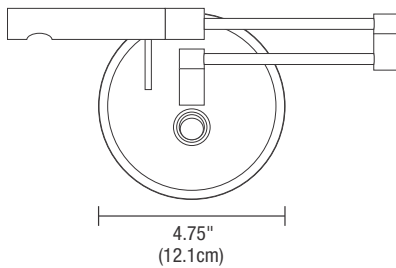
DESIGNED BY GREGORY KAY | ASSEMBLED IN AMERICA



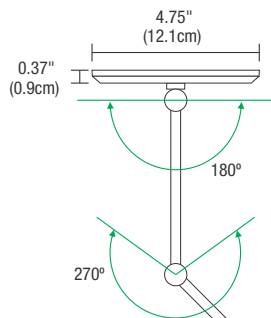
Swing Wall 2 Watts 3000K: SWING-W-2W-30K-SN
(Shown in Satin Nickel)



Swing Wall 2 Watts 3000K: SWING-W-2W-30K-BZ
(Shown in Antique Bronze)



FRONT VIEW



TOP VIEW

Description:

The Swing Bar Wall features a 2 watt LED with a Satin Nickel or Antique Bronze finish. It has two swivel joints. The joint closest to the wall pivots 180 degrees, the joint closest to the light pivots 270 degrees, and the head swivels 350 degrees. There is a bi-level light control rocker switch on the canopy with a 100 percent high and 30 percent low light distribution setting. It fits on a standard 4 square electrical box with round plaster ring. The fixture is rated for 100-240 VAC, 50/60 Hz and includes a 5 year warranty. ETL listed.

Finish:

Satin Nickel or Antique Bronze

Lamp Specification:

2 Watts (LED and power supply), 3000K, 93 CRI, 185 total lumens (high setting); 70% lumen maintenance based on 50,000 hours of operation

Dimming:

Bi-Level light control with high (100%)/low (30%) switch

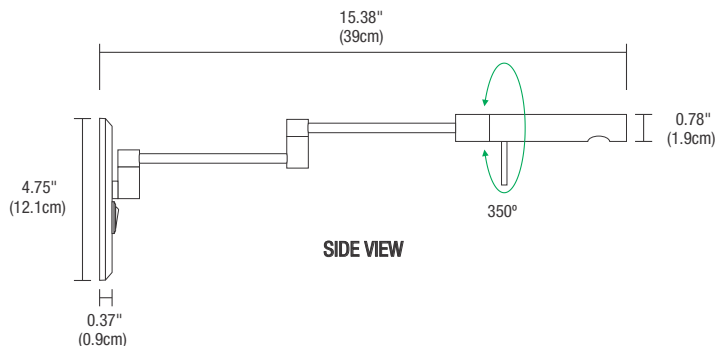
Accessories:

Cord Cover COCV-5-WH, 40" self-sticking white electrical wire cover 1/2" wide

Weight:

3 lb (1.4 kg)

System	Fixture	Color Temperature	Finish
SWING	W	30K	SN
SWING Swing Bar	W Wall	30K 3000K Warm White	SN Satin Nickel BZ Antique Bronze



SIDE VIEW

D - Distance from SWING BAR fixture
FC - Initial foot candles at the center of beam
DIA - Diameter

LOW SETTING 25% BEAM ANGLE 28°

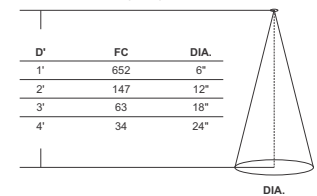
D'	FC	DIA.
1'	160	6"
2'	36	12"
3'	15	18"
4'	7	24"



DIA.

HIGH SETTING 100% BEAM ANGLE 28°

D'	FC	DIA.
1'	652	6"
2'	147	12"
3'	63	18"
4'	34	24"



DIA.

PROJECT	FIXTURE TYPE	DATE
---------	--------------	------