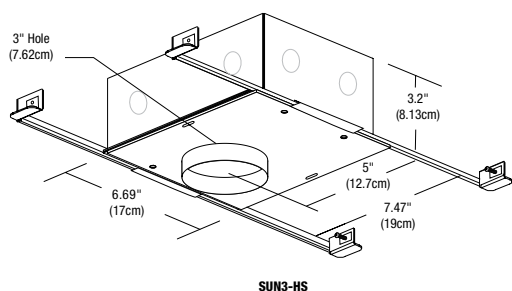
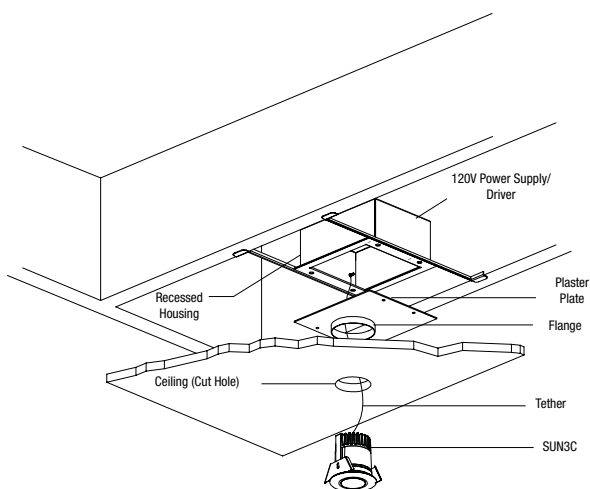
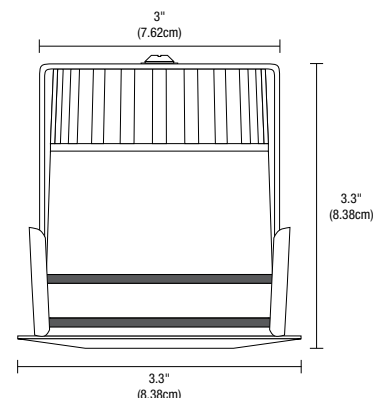




# SUN3C CEILING LED DOWNLIGHT - INDOOR/OUTDOOR

REV.08.23.17



## Description

The 3 inch round or square recessed SUN3C LED downlight uses a high powered warm white LED; it features a 16, 23, 36 or 47 degree precise focus and tempered glass lens with marine-grade aluminum beveled edge trim. It is perfect for installation on ceilings with a low clearance (3.2 inch depth). Sun3C is rated for outdoor, ocean front, wet location, shower or indoor applications. Must be used only with New construction IC-Rated housing (SUN3-HS), which includes dimmable electronic power supply, is sold separately. SUN3C is constant voltage fixture and it is listed to be used only in ceiling applications and should not be used in floor or wall applications which will damage the fixture and void the warranty. For floor or wall applications use SUN3. Fixture includes 5 year warranty.

## Finish

- Satin Aluminum

## Lamp Specification

- 70% lumen maintenance based on 50,000 hours of operation  
LED 7.5W warm white, 3000K, 85 CRI, 44 lumens per watt, 330 total lumens
- At 16 degrees, 42 lumens per watt, 281 total lumens

## Dimming

- Dimmable with low voltage electronic dimmer using SUN3-HS (sold separately)
- Lutron dimmers recommended: Dims to 12% with Diva #DVELV-300P and with Skylark #SELV-300P; 20% with Maestro #MAELV-600

## Weight

- 1.8 lb (.82 kg)

Product	Length in Feet	Description	Color Temperature	Finish
<b>SUN3C</b>	<b>HDL1</b>	<b>RD</b>	<b>WW</b>	<b>SA</b>
<b>SUN3C</b> Sun3 Ceiling	<b>HDL1</b> 16 Degree Lens <b>HDL2</b> 23 Degree Lens <b>HDL3</b> 36 Degree Lens <b>HDL4</b> 47 Degree Lens	<b>RD</b> Round <b>SQ</b> Square	<b>WW</b> Warm White 3000K	<b>SA</b> Satin Aluminum

Product	Type
<b>SUN3</b>	<b>HS</b>
<b>SUN3</b> Sun3	<b>HS</b> Housing



# SUN3C CEILING LED DOWNLIGHT - INDOOR/OUTDOOR

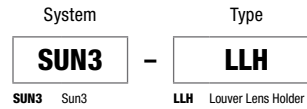
REV.08.23.17

## SUN3C Ceiling Led Downlight - Indoor/Outdoor: Components



### Sun3 Louver Lens Holder

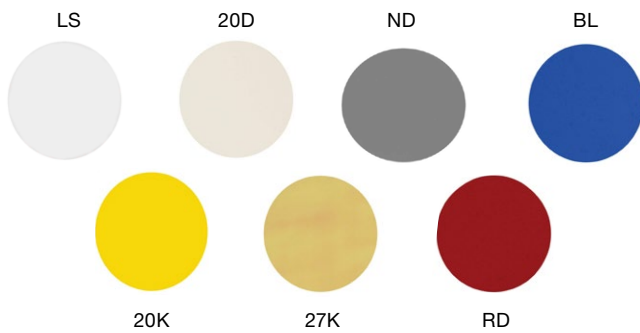
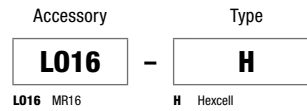
Louver Lens Holders secure onto front of the lamp holding up two lenses or combination of a hexcell louver and lens. Required for securing louvers, lenses and filters in the Sun3.



Hexcell Louver

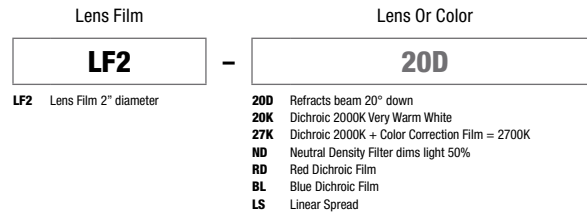
### Hexcell and Micro Louver

The Hexcell Louver eliminates glare from the light beam.



### Film Lenses and Filters

Add film lenses and filters to shape beam, change color or adjust color temperatures. Louver lens holder #SUN3-LLH required.



PROJECT	FIXTURE TYPE	DATE
---------	--------------	------



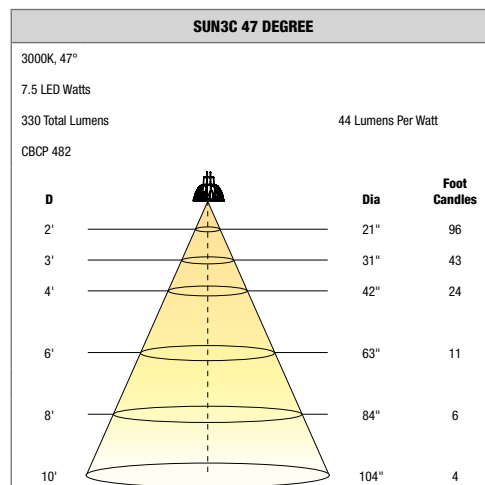
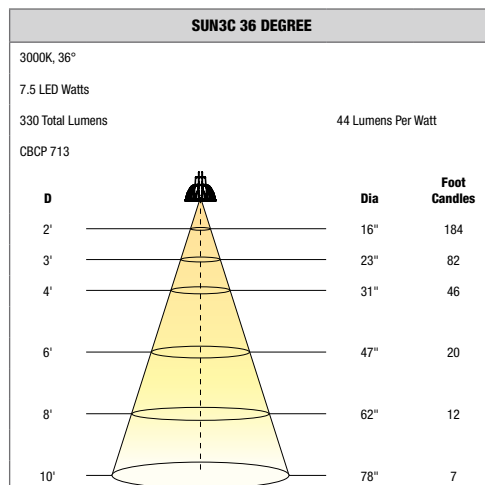
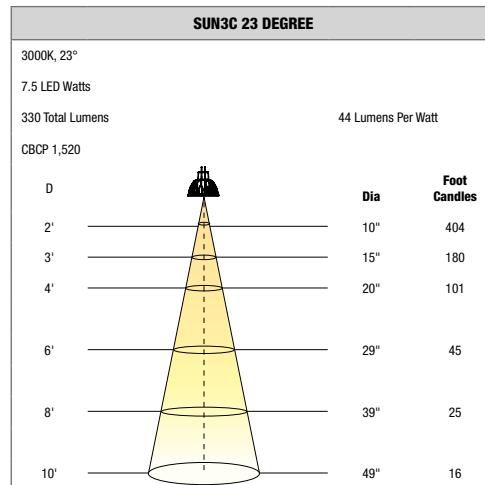
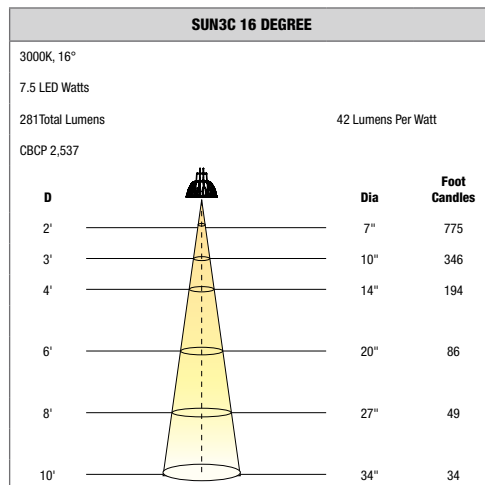
# SUN3C CEILING LED DOWNLIGHT - INDOOR/OUTDOOR

REV.08.23.17

## SUN3C Ceiling LED Downlight - Indoor/Outdoor: Lens Data

LENS/ BEAM SPREAD	INPUT VOLTS	WATTS	TOTAL LUMENS	CBCP	RATED LIFE	COLOR TEMP (K)	CRI
L1 = 16 Degree	12VAC	7.5	281	2,537	50,000	3000K	85
L2 = 23 Degree	12VAC	7.5	330	1,520	50,000	3000K	85
L3 = 36 Degree	12VAC	7.5	330	713	50,000	3000K	85
L4 = 47 Degree	12VAC	7.5	330	482	50,000	3000K	85

## SUN3C Ceiling LED Downlight - Indoor/Outdoor: LED Lamp Data



PROJECT	FIXTURE TYPE	DATE
---------	--------------	------