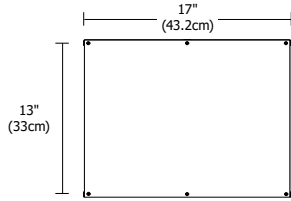
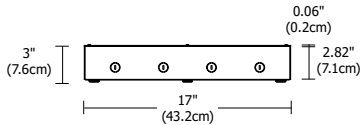


REV.01.25.17



Top View



Side View

**Description:**

Accepts input voltage in a range of 120 - 277VAC and outputs 24VDC power up to 4x100 watts. The integrated RGB Driver receives signals from CDP, CTP, CDMX1-RGBW, or CDMX1-2XK to control RGB color mixing and light intensity. Power Supply features short circuit and overload protection. Indoor applications only.

**Applications:**

Indoor\*

\*To avoid overheating the power supply, install it in a ventilated remote location where air flows. Maintain proper spacing among power supplies when multiple power supplies are installed in the same remote location.

**Power Input:**

120-277VAC, 50/60Hz

**Power Output:**

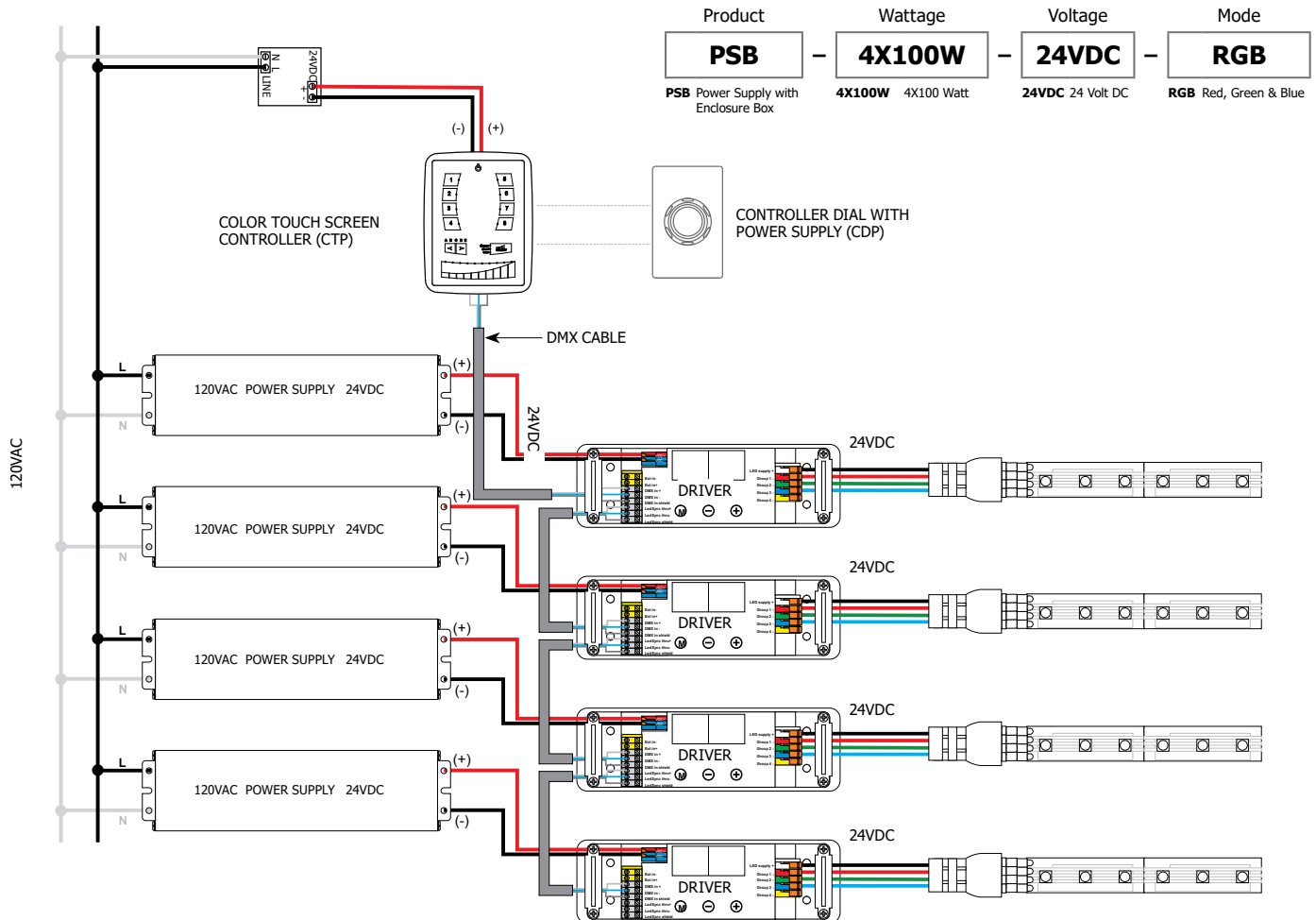
Class 2; 24 volts DC 4x4.16A at 4x100 watts maximum

**Dimensions:**

17" x 13" x 3"

**Compatible Controllers:**

Touch Screen Controller with Power Supply (CTP), Color Dial Controller with Power Supply (CDP), DMX 1 Zone RGBW Touch Controller (CDMX1-RGBW), or Tunable White Touch Controller (CDMX1-2XK)



Product	Wattage	Voltage	Mode
<b>PSB</b>	<b>4X100W</b>	<b>24VDC</b>	<b>RGB</b>
PSB Power Supply with Enclosure Box	4X100W 4X100 Watt	24VDC 24 Volt DC	RGB Red, Green & Blue

PROJECT:

FIXTURE TYPE:

DATE:

