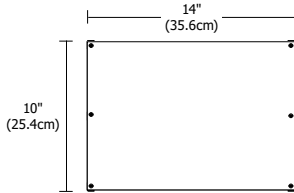


REV.01.25.17



Top View



Side View

Description:

Accepts input voltage in a range of 120 - 277VAC and outputs 24VDC power up to 2x100 watts. The integrated RGB Driver receives signals from CDP, CTP, CDMX1-RGBW, or CDMX1-2XK to control RGB color mixing and light intensity. Power Supply features short circuit and overload protection. Indoor applications only.

Applications:

Indoor*

*To avoid overheating the power supply, install it in a ventilated remote location where air flows. Maintain proper spacing among power supplies when multiple power supplies are installed in the same remote location.

Power Input:

120-277VAC, 50/60Hz

Power Output:

Class 2; 24 volts DC 2x4.16A at 2x100 watts maximum

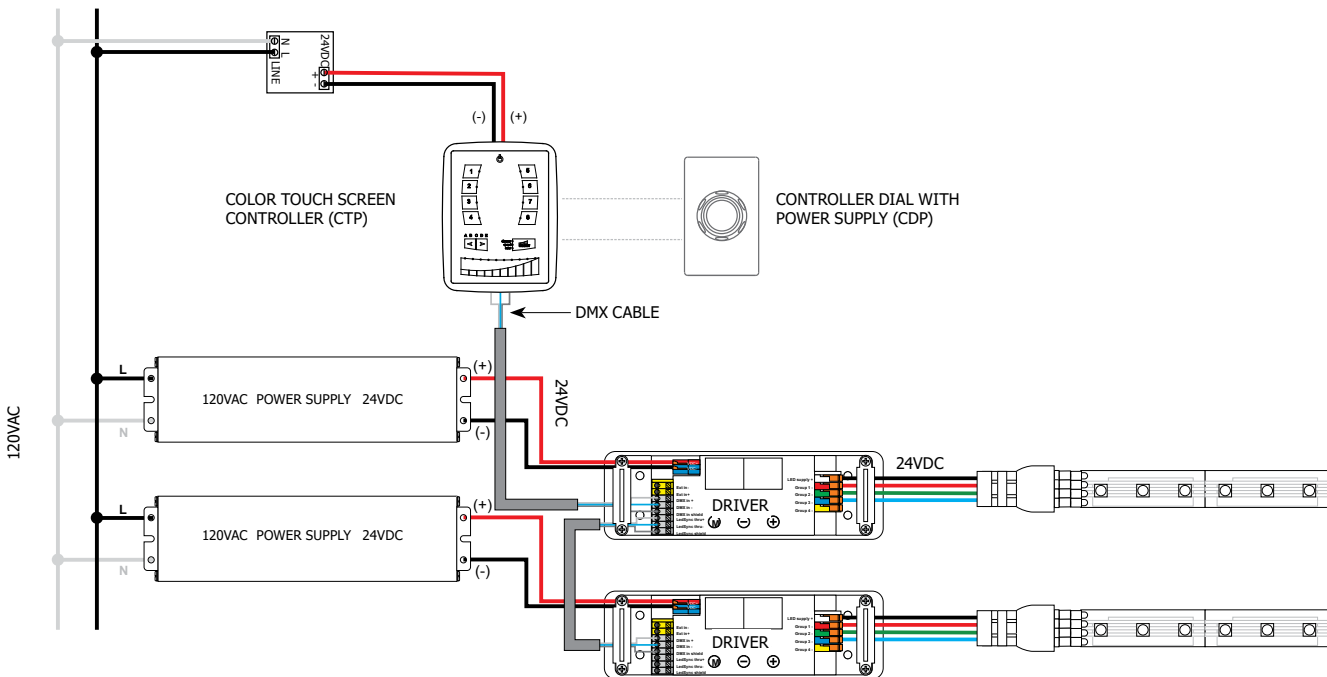
Dimensions:

14" x 10" x 3"

Compatible Controllers:

Touch Screen Controller with Power Supply (CTP), Color Dial Controller with Power Supply (CDP), DMX 1 Zone RGBW Touch Controller (CDMX1-RGBW), or Tunable White Touch Controller (CDMX1-2XK)

Product	Wattage	Voltage	Mode
PSB	2X100W	24VDC	RGB
<small>PSB Power Supply with Enclosure Box</small>	<small>2X100W 2X100 Watt</small>	<small>24VDC 24 Volt DC</small>	<small>RGB Red, Green & Blue</small>



PROJECT:

FIXTURE TYPE:

DATE:

