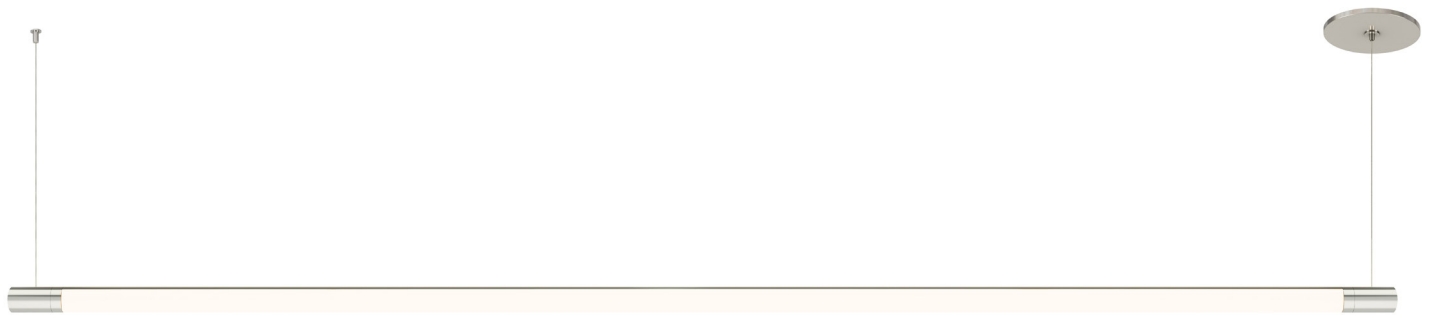


# PIPELINE 2 SUSPENSION DOWNLIGHT WITH REMOTE POWER—END FEED

REV 04.26.18

DESIGNED BY GREGORY KAY | ASSEMBLED IN AMERICA  
PATENT PENDING



Diffused White Lens

### Description

Pipeline 2 Suspension Downlight with Remote Power End Feed: Features a 280 degree lens up to 35ft long with no dark spot. Pipeline 2 is available in Lumen outputs up to 108 lumens per watt (916 lumens/foot), various increments from 12" to 420" (35ft), and a variety of finishes with Warm Dim options. Fixture includes a 5 year warranty. For custom finishes, designs and quotes, send drawings to Design@PureEdgeLighting.com.

Wattages for this fixture are available in the following options:

- 5W - 4.4 watts per foot, lengths up to 420" (35ft)
- 7W - 7.3 watts per foot, lengths up to 288" (24ft)

### Installation

- Mounts to a standard junction box, prewired from either a 120V 60 watt NON-IC (50W-IC) power supply that fits in the ceiling electrical junction box, or from a remote power supply feeding 24VDC up to 200 watts at a maximum of 40ft away
- Includes your choice of one or two canopies: one for remote power, one blank - 2R2, 2S2, 4R2, 4S2
- Includes adjustable 12ft coaxial cables (additional aircraft cables included for support when fixture exceeds 72")

### Channel & Canopy Finishes

- Chrome, Satin Nickel, White and Black with Nickel hardware

### Lenses

- Available in a Diffused White Lens with 280° beam spread

### Applications

Designed for indoor use only. Ideal environments include: Kitchens, dining rooms, hallways, conference rooms, offices, architectural, retail & general

### Lamping

Choose from 8 color temperatures including Warm Dim

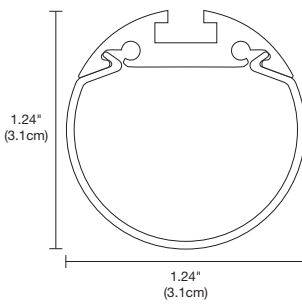
- Warm Dim (optional) - 2700K to 2000K (27D) or 3000K to 2000K (30D)
- 50,000 Hour Lamp Life

### Remote Power Supplies\* & Dimmers

**(Sold Separately):**

- Electronic Low Voltage Dimming (ELV):  
60 watt (fits in jbox), 100 watt class,  
200 watt UL2108
- 0-10 Volt Dimming (0-10V)
- Lutron Hi-Lume®

\*In-Wall Mounting Kits available for select power supplies



Pipeline 2 Channel  
(Actual Size)

System	Wattage Per Foot	Canopy	Nominal Size	Color Temperature	Finish
<b>P2SD</b>	<b>5W</b>	<b>2R</b>	<b>420</b>	<b>22K</b>	<b>SN</b>
<b>P2SD</b> Pipeline 2 Suspension Downlight, Diffused Lens	<b>5W</b> 4.4 Watt (420" max, 35ft) <b>7W</b> 7.3 Watt (288" max, 24ft)	<b>2R</b> 2.8" Round Canopy <b>2S</b> 2.8" Square Canopy <b>4R</b> 4.6" Round Canopy <b>4S</b> 4.6" Square Canopy <b>2R2</b> 2x2.8" Round Canopies <b>2S2</b> 2x2.8" Square Canopies <b>4R2</b> 2x4.6" Round Canopies <b>4S2</b> 2x4.6" Square Canopies	<b>12-420</b> Order in various increments from 12" to 420". Maximum shipping length is 120"; Maximum shipping length for Chrome is 84".  *See length chart for exact dimensions (pg. 3-5)	<b>22K</b> 2200 Amber White <b>27K</b> 2700K Very Warm White <b>27D</b> 2700K Warm Dim (5W only) <b>27D</b> 2700K Warm Dim (5W only) <b>30K</b> 3000K Warm White <b>30D</b> 3000K Warm Dim (5W only) <b>35K</b> 3500K Neutral White <b>40K</b> 4000K Cool White <b>57K</b> 5700K Daylight White	<b>BK</b> Black Powdered Paint <b>CH</b> Chrome <b>SN</b> Satin Nickel <b>WH</b> White Powdered Paint

PROJECT	FIXTURE TYPE	DATE
---------	--------------	------

# PIPELINE 2 SUSPENSION DOWNLIGHT WITH REMOTE POWER—END FEED

REV 04.26.18 DESIGNED BY GREGORY KAY | ASSEMBLED IN AMERICA  
PATENT PENDING

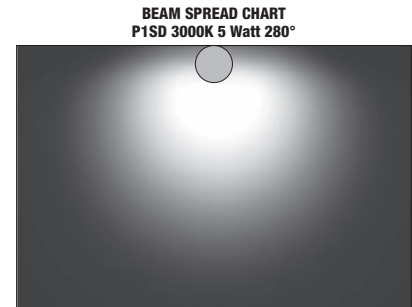
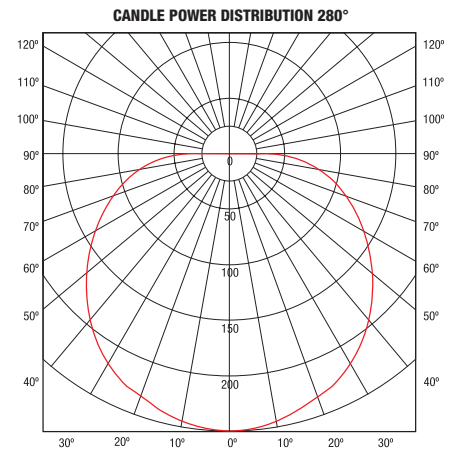
## Lamp Data: Lamp Data for Pipeline 2 Suspension Downlight with Remote Power

DESCRIPTION	P2SD													
	280 Degree Diffused White Lens													
	5w (4.4 watts)							7w (7.3 watts)						
WATTS PER FOOT														
COLOR TEMPERATURE	22K	27K	27D*	30K	30D*	35K	40K	57K	22K	27K	30K	35K	40K	57K
LUMENS PER FOOT (lm/ft)	297	329	414	360	453	412	448	476	439	535	585	670	729	775
LUMENS PER WATT (lm/w)	61	75	86	82	94	94	102	108	60	73	80	92	100	106
CRI	85+	95+	95+	95+	95+	85+	84	84	85+	95+	95+	85+	84	84

\*27D, 30D - Warm Dim (4.4 Watts)

5 Watt 176°	
Distance	Foot Candles
1'	139
1.5'	92
2'	69
3'	45
4'	32
5'	24
6'	19
7'	15
8'	12

7 Watt 176°	
Distance	Foot Candles
1'	227
1.5'	152
2'	114
3'	75
4'	54
5'	40
6'	32
7'	25
8'	21



## Finishes: The finishes available for the Pipeline 2 Suspension Downlight with Remote Power



**BK**  
Satin Black



**CH**  
Chrome



**SN**  
Satin Nickel



**WH**  
White

PROJECT		FIXTURE TYPE		DATE	
---------	--	--------------	--	------	--

# PIPELINE 2 SUSPENSION DOWNLIGHT WITH REMOTE POWER—END FEED

REV 04.26.18

DESIGNED BY GREGORY KAY | ASSEMBLED IN AMERICA  
PATENT PENDING

## Length Chart: Actual lengths for Pipeline 2 Suspension Downlight with Remote Power—End Feed

22K, 27K, 30K, 35K, 40K & 57K						
Nominal Length (Inches)	Actual Length (Inches)	Actual Length (Feet)	Total Wattage (5W)	Total Lumens 3000K (5W)	Total Wattage (7W)	Total Lumens 3000K (7W)
12	12	1	5	360	7.0	585
24	24	2	10	720	14.0	1170
36	36	3	15	1080	21.0	1755
48	48	4	20	1440	28.0	2340
60	60	5	25	1800	35.0	2925
72	72	6	30	2160	42.0	3510
84	84	7	35	2520	49.0	4095
96	96	8	40	2880	56.0	4680
108	108	9	45	3240	63.0	5265
120	120	10	50	3600	70.0	5850

WARM DIM (27D & 30D)				
Nominal Length (Inches)	Actual Length (Inches)	Actual Length (Feet)	Total Wattage (5W)	Total Lumens 3000K (5W)
12	12	1	5	453
24	24	2	10	906
36	36	3	15	1359
48	48	4	20	1812
60	60	5	25	2265
72	72	6	30	2718
84	84	7	35	3171
96	96	8	40	3624
108	108	9	45	4077
120	120	10	50	4530

PROJECT		FIXTURE TYPE		DATE	
---------	--	--------------	--	------	--

# PIPELINE 2 SUSPENSION DOWNLIGHT WITH REMOTE POWER—END FEED

REV 04.26.18

DESIGNED BY GREGORY KAY | ASSEMBLED IN AMERICA  
PATENT PENDING

**Length Chart:** Actual lengths for Pipeline 2 Suspension Downlight with Remote Power—End Feed

22K, 27K, 30K, 35K, 40K & 57K								
ORDERING CODE (NOMINAL SIZE)	ACTUAL LENGTH (INCHES)	ACTUAL LENGTH (CHROME)	ORDERING CODE (NOMINAL SIZE)	ACTUAL LENGTH (INCHES)	ACTUAL LENGTH (CHROME)	ORDERING CODE (NOMINAL SIZE)	ACTUAL LENGTH (INCHES)	ACTUAL LENGTH (CHROME)
12	13.0	13.0	171	171.8	172.2	329	330.6	331.0
15	15.4	15.4	173	174.2	174.6	332	333.0	333.4
17	17.8	17.8	176	176.6	177.0	334	335.4	335.8
20	20.2	20.2	178	179.0	179.4	336	337.8	338.2
22	22.6	22.6	180	181.4	181.8	339	340.2	341.0
24	25.0	25.0	183	183.8	184.2	341	342.6	343.4
27	27.4	27.4	185	186.2	186.6	344	345.0	345.8
29	29.8	29.8	188	188.6	189.0	346	347.4	348.2
32	32.2	32.2	190	191.0	191.4	348	349.8	350.6
34	34.6	34.6	192	193.4	193.8	351	352.2	353.0
36	37.0	37.0	195	195.8	196.2	353	354.6	355.4
39	39.4	39.4	197	198.2	198.6	356	357.0	357.8
41	41.8	41.8	200	200.6	201.0	358	359.4	360.2
44	44.2	44.2	202	203.0	203.4	360	361.8	362.6
46	46.6	46.6	204	205.4	205.8	363	364.6	365.0
48	49.0	49.0	207	207.8	208.2	365	367.0	367.4
51	51.4	51.4	209	210.2	210.6	368	369.4	369.8
53	53.8	53.8	212	212.6	213.0	370	371.8	372.2
56	56.2	56.2	214	215.0	215.4	372	374.2	374.6
58	58.6	58.6	216	217.4	217.8	375	376.6	377.0
60	61.0	61.0	219	219.8	220.2	377	379.0	379.4
63	63.4	63.4	221	222.2	222.6	380	381.4	381.8
65	65.8	65.8	224	224.6	225.0	382	383.8	384.2
68	68.2	68.2	226	227.0	227.4	384	386.2	386.6
70	70.6	70.6	228	229.4	229.8	387	388.6	389.0
72	73.0	73.0	231	231.8	232.2	389	391.0	391.4
75	75.4	75.4	233	234.2	234.6	392	393.4	393.8
77	77.8	77.8	236	236.6	237.0	394	395.8	396.2
80	80.2	80.2	238	239.0	239.4	396	398.2	398.6
82	82.6	82.6	240	241.4	241.8	399	400.6	401.0
84	85.0	85.0	243	244.2	244.2	401	403.0	403.4
87	87.4	87.8	245	246.6	246.6	404	405.4	405.8
89	89.8	90.2	248	249.0	249.0	406	407.8	408.2
92	92.2	92.6	250	251.4	251.4	408	410.2	410.6
94	94.6	95.0	252	253.8	253.8	411	412.6	413.0
96	97.0	97.4	255	256.2	256.6	413	415.0	415.4
99	99.4	99.8	257	258.6	259.0	416	417.4	417.8
101	101.8	102.2	260	261.0	261.4	418	419.8	420.2
104	104.2	104.6	262	263.4	263.8	420	422.2	422.6
106	106.6	107.0	264	265.8	266.2			
108	109.0	109.4	267	268.2	268.6			
111	111.4	111.8	269	270.6	271.0			
113	113.8	114.2	272	273.0	273.4			
116	116.2	116.6	274	275.4	275.8			
118	118.6	119.0	276	277.8	278.2			
120	121.0	121.4	279	280.2	280.6			
123	123.8	123.8	281	282.6	283.0			
125	126.2	126.2	284	285.0	285.4			
128	128.6	128.6	286	287.4	287.8			
130	131.0	131.0	288	289.8	290.2			
132	133.4	133.4	291	292.2	292.6			
135	135.8	135.8	293	294.6	295.0			
137	138.2	138.2	296	297.0	297.4			
140	140.6	140.6	298	299.4	299.8			
142	143.0	143.0	300	301.8	302.2			
144	145.4	145.4	303	304.2	304.6			
147	147.8	147.8	305	306.6	307.0			
149	150.2	150.2	308	309.0	309.4			
152	152.6	152.6	310	311.4	311.8			
154	155.0	155.0	312	313.8	314.2			
156	157.4	157.4	315	316.2	316.6			
159	159.8	159.8	317	318.6	319.0			
161	162.2	162.2	320	321.0	321.4			
164	164.6	164.6	322	323.4	323.8			
166	167.0	167.0	324	325.8	326.2			
168	169.4	169.4	327	328.2	328.6			

Continued on next page

PROJECT		FIXTURE TYPE		DATE	
---------	--	--------------	--	------	--

# PIPELINE 2 SUSPENSION DOWNLIGHT WITH REMOTE POWER—END FEED

REV 04.26.18

DESIGNED BY GREGORY KAY | ASSEMBLED IN AMERICA  
PATENT PENDING

**Length Chart:** Actual lengths for Pipeline 2 Suspension Downlight with Remote Power—End Feed

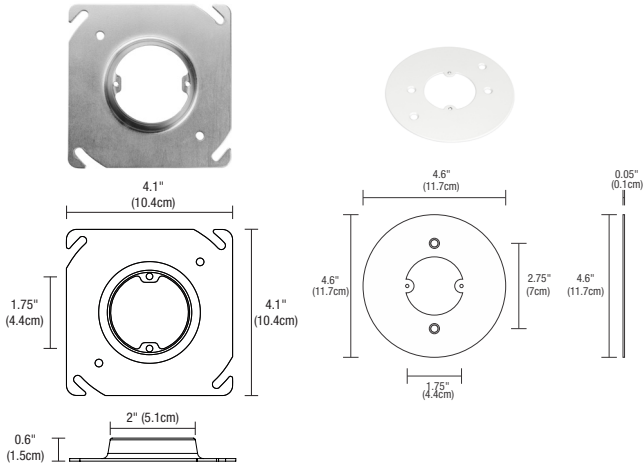
27D & 30D (5W)								
ORDERING CODE (NOMINAL SIZE)	ACTUAL LENGTH (INCHES)	ACTUAL LENGTH (CHROME)	ORDERING CODE (NOMINAL SIZE)	ACTUAL LENGTH (INCHES)	ACTUAL LENGTH (CHROME)	ORDERING CODE (NOMINAL SIZE)	ACTUAL LENGTH (INCHES)	ACTUAL LENGTH (CHROME)
12	13.0	13.0	171	172.4	172.8	330	331.8	332.2
15	16.0	16.0	174	175.4	175.8	333	334.8	335.2
18	19.0	19.0	177	178.4	178.8	336	337.8	338.2
21	22.0	22.0	180	181.4	181.8	339	340.8	341.6
24	25.0	25.0	183	184.4	184.8	342	343.8	344.6
27	28.0	28.0	186	187.4	187.8	345	346.8	347.6
30	31.0	31.0	189	190.4	190.8	348	349.8	350.6
33	34.0	34.0	192	193.4	193.8	351	352.8	353.6
36	37.0	37.0	195	196.4	196.8	354	355.8	356.6
39	40.0	40.0	198	199.4	199.8	357	358.8	359.6
42	43.0	43.0	201	202.4	202.8	360	361.8	362.6
45	46.0	46.0	204	205.4	205.8	363	365.2	365.6
48	49.0	49.0	207	208.4	208.8	366	368.2	368.6
51	52.0	52.0	210	211.4	211.8	369	371.2	371.6
54	55.0	55.0	213	214.4	214.8	372	374.2	374.6
57	58.0	58.0	216	217.4	217.8	375	377.2	377.6
60	61.0	61.0	219	220.4	220.8	378	380.2	380.6
63	64.0	64.0	222	223.4	223.8	381	383.2	383.6
66	67.0	67.0	225	226.4	226.8	384	386.2	386.6
69	70.0	70.0	228	229.4	229.8	387	389.2	389.6
72	73.0	73.0	231	232.4	232.8	390	392.2	392.6
75	76.0	76.0	234	235.4	235.8	393	395.2	395.6
78	79.0	79.0	237	238.4	238.8	396	398.2	398.6
81	82.0	82.0	240	241.4	241.8	399	401.2	401.6
84	85.0	85.0	243	244.8	244.8	402	404.2	404.6
87	88.0	88.4	246	247.8	247.8	405	407.2	407.6
90	91.0	91.4	249	250.8	250.8	408	410.2	410.6
93	94.0	94.4	252	253.8	253.8	411	413.2	413.6
96	97.0	97.4	255	256.8	257.2	414	416.2	416.6
99	100.0	100.4	258	259.8	260.2	417	419.2	419.6
102	103.0	103.4	261	262.8	263.2	420	422.2	422.6
105	106.0	106.4	264	265.8	266.2			
108	109.0	109.4	267	268.8	269.2			
111	112.0	112.4	270	271.8	272.2			
114	115.0	115.4	273	274.8	275.2			
117	118.0	118.4	276	277.8	278.2			
120	121.0	121.4	279	280.8	281.2			
123	124.4	124.4	282	283.8	284.2			
126	127.4	127.4	285	286.8	287.2			
129	130.4	130.4	288	289.8	290.2			
132	133.4	133.4	291	292.8	293.2			
135	136.4	136.4	294	295.8	296.2			
138	139.4	139.4	297	298.8	299.2			
141	142.4	142.4	300	301.8	302.2			
144	145.4	145.4	303	304.8	305.2			
147	148.4	148.4	306	307.8	308.2			
150	151.4	151.4	309	310.8	311.2			
153	154.4	154.4	312	313.8	314.2			
156	157.4	157.4	315	316.8	317.2			
159	160.4	160.4	318	319.8	320.2			
162	163.4	163.4	321	322.8	323.2			
165	166.4	166.4	324	325.8	326.2			
168	169.4	169.4	327	328.8	329.2			

PROJECT		FIXTURE TYPE		DATE	
---------	--	--------------	--	------	--

# PIPELINE 2 SUSPENSION DOWNLIGHT WITH REMOTE POWER—END FEED

REV 04.26.18 DESIGNED BY GREGORY KAY | ASSEMBLED IN AMERICA  
PATENT PENDING

**Components:** Swag Bar & Hook, Swag Hook, and T-Bar are compatible with all Power Canopy options and may be required based on lighting design and application.



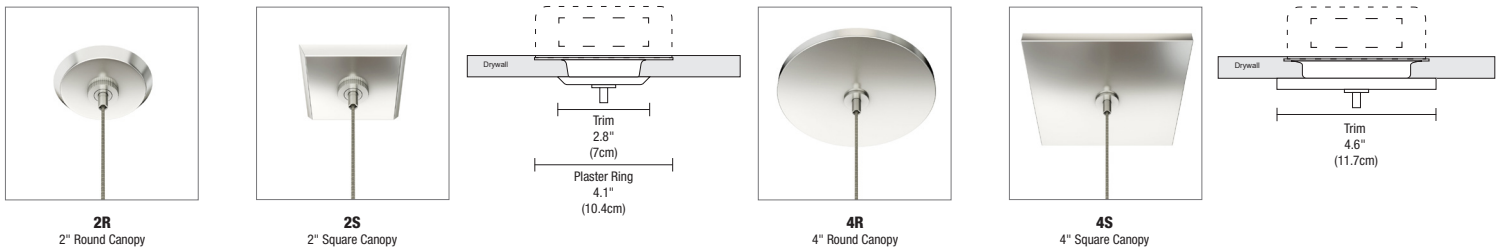
## New Construction and Remodel 2" Cover for 4" Sq Junction Box

The New Construction NC2-JBOX cover is included with the 2" round and square canopies and is not required for the 4" square canopies. NC2 New Construction Junction Box Cover mounts to a standard 4" electrical box or octagon box, converting it to a 2" plaster ring for use with the 2R (round) or 2S (square) canopy. The Remodel RM2-JBOX Plaster Plate cover is used with an existing 4" square junction box and standard round plaster ring. The PS-60L-ELV-24VDC (50 watt IC, 60 watt Non-IC) will fit inside the NC2 or RM2-JBOX cover and electrical junction box for a flush look.

System	Type
<b>NC2</b>	<b>JBOX</b>
NC2 New Construction 2"	JBOX JBox Cover
RM2 Remodel Plaster Plate	

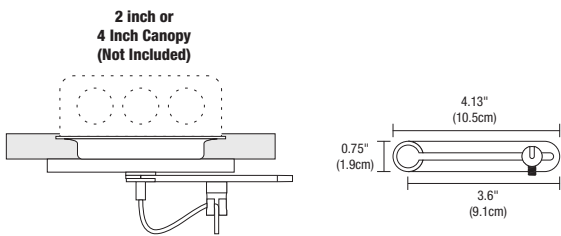
## Pipeline Remote Power Canopies (Included)

Canopies are included with canopy ordering code. The 2" Round and Square Canopy includes a special plaster ring NC2-JBOX (above). The 4" Square or Round Canopy fits on a standard 4" Electrical Box with round plaster ring and the PS-60L-ELV-24VDC 50 watt IC, (60 watt Non-IC) will fit inside the NC2 or RM2-JBOX cover and electrical junction box for a flush look.



## Channel Suspension Adjustable Swag Bar and Hook

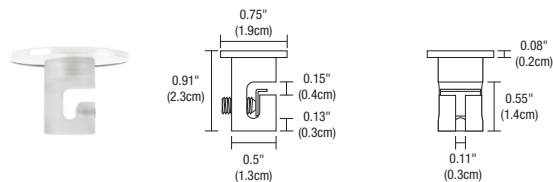
Channel Suspension Adjustable Swag Bar and Hook allows a cable to form a straight connection to the channel when the Power Canopy is not located directly above the fixture. Use when you have two or more canopies (power supplies) on the same fixture run. The Adjustable Swag Hook is compatible with the 2R, 2S, 4R, 4S, 5S, 6S and 8R Power Canopies (Canopy not included).



Product	Type	Finish
<b>CS</b>	<b>ADJ-SWAG</b>	<b>SN</b>
CS Channel Suspension	ADJ-SWAG Adjustable Swag Hook for Static White ADJ-DP-SWAG Dual Post Adjustable Swag Hook for 2K4K & RGB	SN Satin Nickel

## Channel Suspension Swag Hook

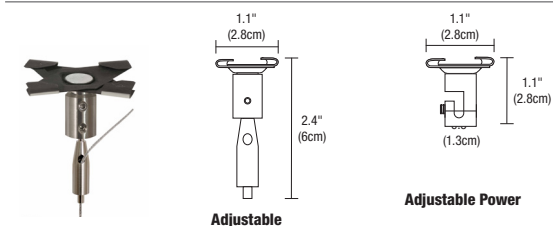
The clear plastic Swag Hook extends a cable from an electrical box that is not located directly above desired fixture location.



System	Type
<b>CS</b>	<b>SWAG</b>
CS Channel Suspension	SWAG Swag Hook

## Pipeline Suspension Adjustable T-Bar Clip

Pipeline Suspension Adjustable T-Bar Clip mounts to T-Bar grid ceilings. Available in Satin Nickel hardware as adjustable power and non-power versions.



Product	Type	Options	Finish
<b>CS</b>	<b>TBAR</b>	<b>A</b>	<b>W</b>
CS Channel Suspension	TBAR 9/16" and 15/16"	A Adjustable AP Adjustable Power	W White BK Satin Black

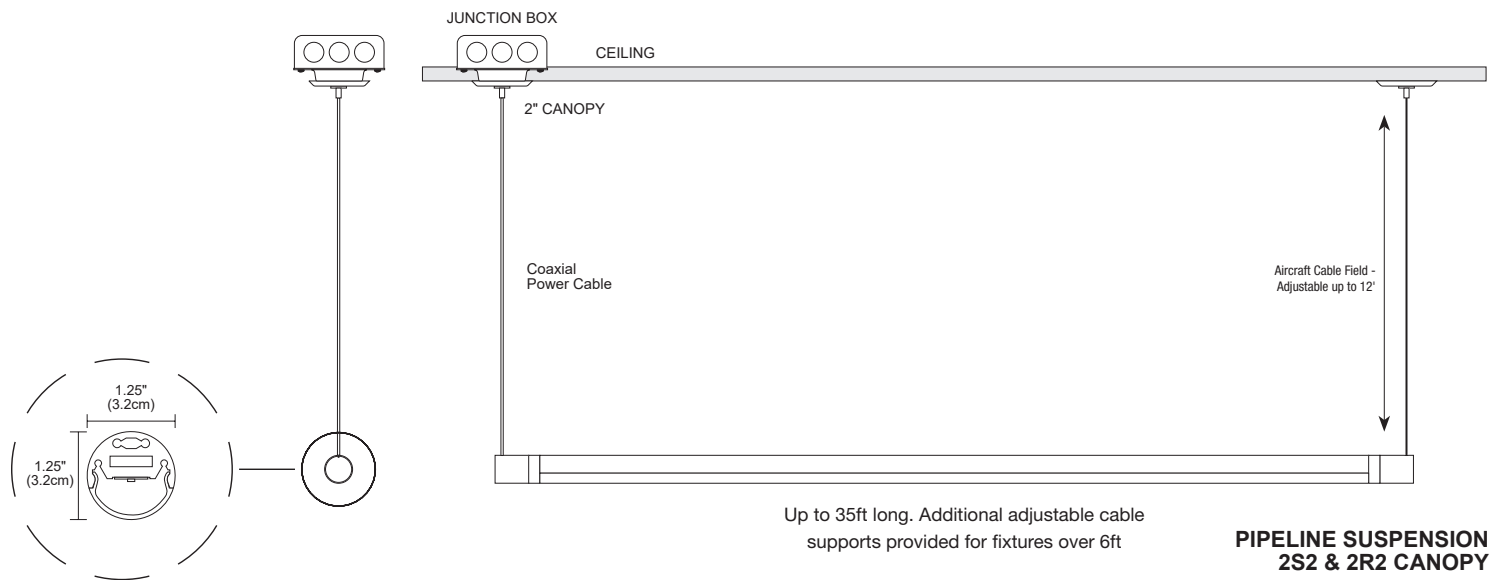
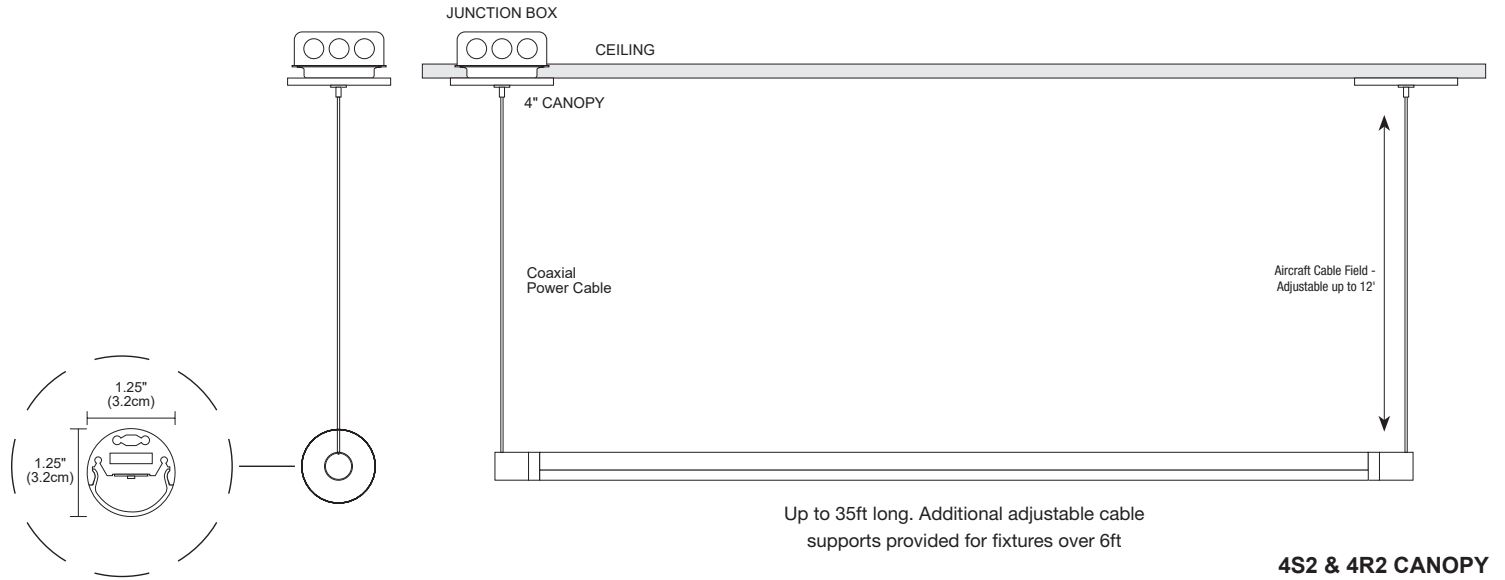
PROJECT	FIXTURE TYPE	DATE
---------	--------------	------

**PIPELINE 2 SUSPENSION DOWNLIGHT WITH REMOTE POWER—END FEED**

REV 04.26.18

DESIGNED BY GREGORY KAY | ASSEMBLED IN AMERICA  
PATENT PENDING

**Drawings:** Drawings are shown with 2" round canopy, 2" square canopy, 4" round canopy, and 4" square canopy.



PROJECT		FIXTURE TYPE		DATE	
---------	--	--------------	--	------	--

PIPELINE 2 SUSPENSION DOWNLIGHT WITH REMOTE POWER—END FEED

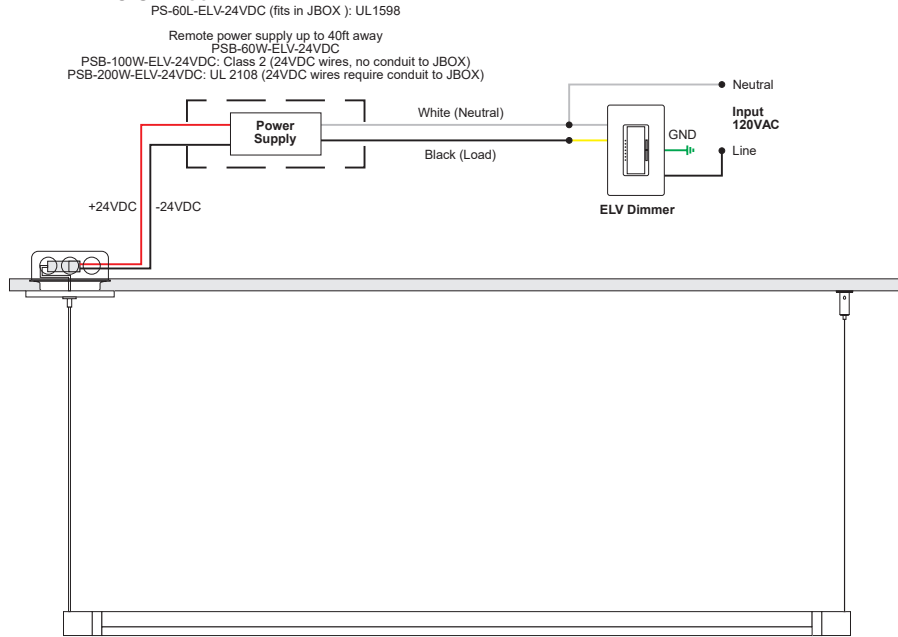
REV 04.26.18 DESIGNED BY GREGORY KAY | ASSEMBLED IN AMERICA  
PATENT PENDING

**Wiring Diagram:** Wiring Diagram for Static White with ELV Dimmer

**Application:** ELV dimming for Pipeline 2 Suspension Downlight with Remote Power—End Feed, Static White

**Dimming:** Dimmable with ELV dimmer: Legrand, Adorne ADTP703TU  
Lutron: Diva DVELV-300P, Skylark SELVz-300P, Maestro MAELV-600 and Radio Ra 2

**Remote Power Supplies:** Class 2: 24VDC output; 120VAC input. PS-60L-ELV-24VDC (fits in Jbox); PSB-60W-ELV-24VDC; PSB-100W-ELV-24VDC; PSB-200W-ELV-24VDC UL2108

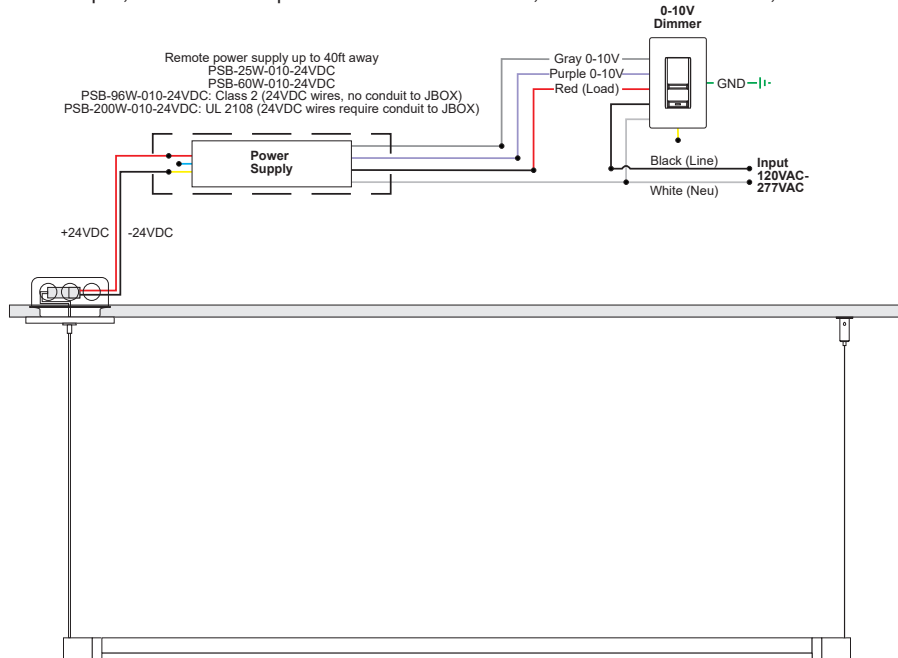


**Wiring Diagram:** Wiring Diagram for Static White with 0-10 Dimmer

**Application:** 0-10V dimming for Pipeline 2 Suspension Downlight with Remote Power—End Feed, Static White

**Dimming:** Dimmable with 0-10V dimmer: Philips: Sunrise SR1200ZTUNV; Lutron: Diva DDTV-WH, Nova-T NTSTV-DV-XX, Grafix Eye QS QSGRJ-XP, Radio RA2 RRD-1-ND; Leviton: LEV40050, IP710-LFZ; Legrand ADPD4FBL3P2W4

**Remote Power Supplies:** Class 2: 24VDC output; 120/277VAC input. PSB-60W-010-24VDC; PSB-100W-010-24VDC; PSB-200W-3LV010-24VDC UL2108



PROJECT		FIXTURE TYPE		DATE	
---------	--	--------------	--	------	--



# PIPELINE 2 SUSPENSION DOWNLIGHT WITH REMOTE POWER—END FEED

REV 04.26.18

DESIGNED BY GREGORY KAY | ASSEMBLED IN AMERICA  
PATENT PENDING

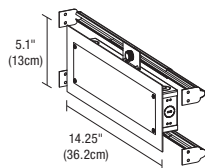
## Required Components: 24VDC ELV Compatible Power Supplies

ELECTRONIC LOW-VOLTAGE (ELV) POWER SUPPLIES & RECOMMENDED DIMMERS <sup>1</sup>				
ORDERING CODES	PS-60L-ELV-24VDC	PSB-60W-ELV-24VDC	PSB-2X60W-ELV-24VDC	PSB-100W-ELV-24VDC
SPECIFICATIONS				
MAXIMUM LOAD	60W NON-IC, 50W-IC (FITS IN JBOX)	60W	2X60W	96W
INPUT VOLTAGE	120VAC	120VAC	120VAC	120VAC
OUTPUT VOLTAGE	24VDC	24VDC	24VDC	24VDC
DIMENSIONS	2.25" X 1.25" X 0.83"	8.125" X 2" X 1.75"	12.15" X 6.48" X 2.18"	9.25" X 3.5" X 2"
CLASSIFICATION	CLASS 2	CLASS 2	CLASS 2	CLASS 2
IN WALL MOUNTING	N/A	PSB-60W-ELV-24VDC-IW	PSB-2X60W-ELV-24VDC-IW	PSB-100W-ELV-24VDC-IW
DIMMING AND CONTROLS				
LUTRON DIVA: DVELV-300P	•	•	•	•
LUTRON SKYLARK: SELV-300P	•	•	•	•
LUTRON RADIO RA2: RRD-6NA	N/A	•	•	•
LUTRON MAESTRO: MAELV-600	•	•	•	•
LEGRAND ADORNE: ADTP-703TUM4	N/A	•	•	•

ELECTRONIC LOW-VOLTAGE (ELV) POWER SUPPLIES & RECOMMENDED DIMMERS <sup>1</sup>					
ORDERING CODES	PSB-2X100W-ELV-24VDC	PSB-3X100W-ELV-24VDC	PSB-4X100W-ELV-24VDC	PSB-200W-ELV-24VDC	PSB-2X200W-ELV-24VDC
SPECIFICATIONS					
MAXIMUM LOAD	2X96W	3X96W	4X96W	200W	2X200W
INPUT VOLTAGE	120VAC	120VAC	120VAC	120VAC	120VAC
OUTPUT VOLTAGE	24VDC	24VDC	24VDC	24VDC	24VDC
DIMENSIONS	12.15" X 6.48" X 2.18"	14" X 10" X 3"	17" X 13" X 3"	12.15" X 6.48" X 2.18"	14" X 10" X 3"
CLASSIFICATION	CLASS 2	CLASS 2	CLASS 2	UL1598*	UL1598*
IN WALL MOUNTING	PSB-2X100W-ELV-24VDC-IW	N/A	N/A	PSB-200W-ELV-24VDC-IW	N/A
DIMMING AND CONTROLS					
LUTRON DIVA: DVELV-300P	•	•	•	•	•
LUTRON SKYLARK: SELV-300P	•	•	•	•	•
LUTRON RADIO RA2: RRD-6NA	•	•	•	•	•
LUTRON MAESTRO: MAELV-600	•	•	•	•	•
LEGRAND ADORNE: ADTP-703TUM4	•	•	•	•	•

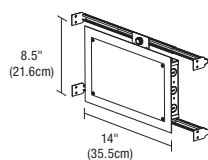
<sup>1</sup>24K - 57K color temperatures are compatible with 0-10V, ELV, and Lutron Hi-lume® Power Supplies. Warm Dim (27D, 30D) color temperatures are only compatible with ELV power supplies.

\*Classification: UL2108 - \*24VDC over 100 watts, wires must be in conduit from Remote Power Supply to Junction Box in ceiling.



**5.1 x 14.25 inch In-Wall Mounting Kit:** Includes power supply, box cover, and stud hangers for installing Junction Box in wall. Select "IW" in the options section of compatible power supply ordering codes if an In-Wall Mounting Kit is needed.

**Ordering Codes:** PSB-60W-ELV-24VDC-IW, PSB-100W-ELV-24VDC-IW



**8.5 x 14 inch In-Wall Mounting Kit:** Includes power supply, box cover, and stud hangers for installing Junction Box in wall. Select "IW" in the options section of compatible power supply ordering codes if an In-Wall Mounting Kit is needed.

**Ordering Codes:** PSB-2x60W-ELV-24VDC-IW, PSB-2x100W-ELV-24VDC-IW, PSB-200W-ELV-24VDC-IW

PROJECT		FIXTURE TYPE		DATE	
---------	--	--------------	--	------	--

# PIPELINE 2 SUSPENSION DOWNLIGHT WITH REMOTE POWER—END FEED

REV 04.26.18

DESIGNED BY GREGORY KAY | ASSEMBLED IN AMERICA  
PATENT PENDING

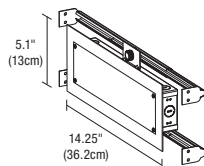
## Required Components: 24VDC 0-10V Compatible Power Supplies

0-10 VOLT (010) POWER SUPPLIES & RECOMMENDED DIMMERS†				
ORDERING CODES	PSB-25W-010-24VDC	PSB-60W-010-24VDC	PSB-96W-010-24VDC	PSB-2X96W-010-24VDC
SPECIFICATIONS				
MAXIMUM LOAD	25W	60W	96W	2X96W
INPUT VOLTAGE	120VAC	120-277VAC	120-277VAC	120-277VAC
OUTPUT VOLTAGE	24VDC	24VDC	24VDC	24VDC
DIMENSIONS	12.4" X 3.12" X 2.18"	12.4" X 3.12" X 2.18"	12.4" X 3.12" X 2.18"	12.15" X 6.48" X 2.18"
CLASSIFICATION	CLASS 2	CLASS 2	CLASS 2	CLASS 2
IN WALL MOUNTING	PSB-25W-010-24VDC-IW	PSB-60W-010-24VDC-IW	PSB-96W-010-24VDC-IW	PSB-2X96W-010-24VDC-IW
DIMMING AND CONTROLS				
PHILIPS SUNRISE: SR1200ZTUNV	•	•	•	•
LUTRON DIVA: DVTV-WH	•	•	•	•
LUTRON NOVA T: NTSTV-DV-XX	•	•	•	•
LUTRON GRAFIX EYE QS: QSGRJ-XP	•	•	•	•
LUTRON RADIO RA2: RRD-10ND	•	•	•	•
LEVITON: LEV40050	•	•	•	•
LEVITON IP710-LFZ	•	•	•	•
LEGRAND: ADPD4FBL3P2W4	•	•	•	•

0-10 VOLT (010) POWER SUPPLIES & RECOMMENDED DIMMERS†				
ORDERING CODES	PSB-3X96W-010-24VDC	PSB-4X96W-010-24VDC	PSB-200W-010-24VDC	PSB-2X200W-010-24VDC
SPECIFICATIONS				
MAXIMUM LOAD	3X96W	4X96W	200W	2X200W
INPUT VOLTAGE	120-277VAC	120-277VAC	120VAC	120VAC
OUTPUT VOLTAGE	24VDC	24VDC	24VDC	24VDC
DIMENSIONS	14" X 10" X 3"	17" X 13" X 3"	12.15" X 6.48" X 2.18"	14" X 10" X 3"
CLASSIFICATION	CLASS 2	CLASS 2	UL1598*	UL1598*
IN WALL MOUNTING	N/A	N/A	PSB-200W-010-24VDC-IW	N/A
DIMMING AND CONTROLS				
PHILIPS SUNRISE: SR1200ZTUNV	•	•	•	•
LUTRON DIVA: DVTV-WH	•	•	•	•
LUTRON NOVA T: NTSTV-DV-XX	•	•	•	•
LUTRON GRAFIX EYE QS: QSGRJ-XP	•	•	•	•
LUTRON RADIO RA2: RRD-10ND	•	•	•	•
LEVITON: LEV40050	•	•	•	•
LEVITON IP710-LFZ	•	•	•	•
LEGRAND: ADPD4FBL3P2W4	•	•	•	•

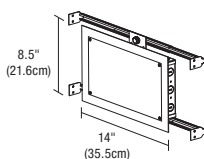
\*24K - 57K color temperatures are compatible with 0-10V, ELV, and Lutron Hi-lume® Power Supplies. Warm Dim (27D, 30D) color temperatures are only compatible with ELV power supplies.

\*Classification: UL2108 - \*24VDC over 100 watts, wires must be in conduit from Remote Power Supply to Junction Box in ceiling.



**5.1 x 14.25 inch In-Wall Mounting Kit:** Includes power supply, box cover and stud hangers for installing Junction Box in wall. Select "IW" in the options section of compatible power supply ordering codes if an In-Wall Mounting Kit is needed.

**Ordering Codes:** PSB-25W-010-24VDC-IW, PSB-60W-010-24VDC-IW, PSB-96W-010-24VDC-IW



**8.5 x 14 inch In-Wall Mounting Kit:** Includes power supply, box cover and stud hangers for installing Junction Box in wall. Select "IW" in the options section of compatible power supply ordering codes if an In-Wall Mounting Kit is needed.

**Ordering Codes:** PSB-2X96W-010-24VDC-IW, PSB-200W-010-24VDC-IW


PROJECT		FIXTURE TYPE		DATE	
---------	--	--------------	--	------	--

**PIPELINE 2 SUSPENSION DOWNLIGHT WITH REMOTE POWER—END FEED**

REV 04.26.18

DESIGNED BY GREGORY KAY | ASSEMBLED IN AMERICA  
PATENT PENDING

**Required Components:** 24VDC Lutron Compatible Power Supply

<b>LUTRON HI-LUME® PREMIER .1% ECOSYSTEM® 3-WIRE POWER SUPPLY &amp; RECOMMENDED CONTROLLERS†</b>	
<b>ORDERING CODES</b>	<p><b>L3D0-96W24V-U</b></p> 
<b>SPECIFICATIONS</b>	
<b>MAXIMUM LOAD</b>	96W
<b>INPUT VOLTAGE</b>	120-277VAC
<b>OUTPUT VOLTAGE</b>	24VDC
<b>DIMENSIONS</b>	10.5" X 5.5" X 2"
<b>CLASSIFICATION</b>	CLASS 2
<b>DIMMING AND CONTROLS</b>	
<b>RADIO RA2</b>	•
<b>HOMEWORKS QS</b>	•
<b>PHPM-3F-120</b>	•
<b>PHPM-3F-DV</b>	•
<b>BCI-0-10</b>	•

†22K - 57K color temperatures are compatible with 0-10V, ELV, and Lutron Hi-lume® Power Supplies. Warm Dim (27D, 30D) color temperatures are only compatible with ELV power supplies.

PROJECT	FIXTURE TYPE	DATE	
---------	--------------	------	--

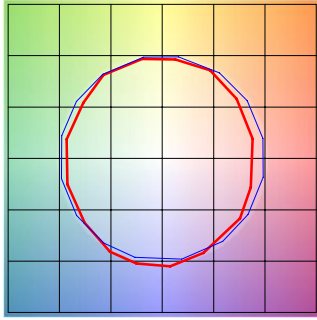
# PIPELINE 2 SUSPENSION DOWNLIGHT WITH REMOTE POWER—END FEED

REV 04.26.18 DESIGNED BY GREGORY KAY | ASSEMBLED IN AMERICA  
PATENT PENDING

**TM-30-15 DATA:** The data below is for SS2C, SS5C, SS7C, and SS10C bare LED Soft Strips. Consistent color temperatures throughout a single strip and among multiple strips is possible through a 3 phase binning process in which each order is inspected with a color meter to ensure uniformity.

## 2200K | Rf: 83.9 | Rg: 94.9

COLOR VECTOR GRAPHIC

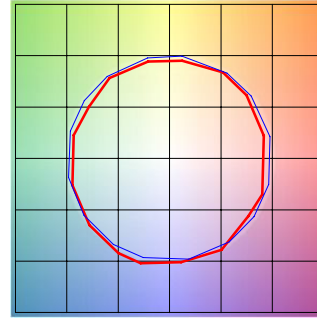


■ Test ■ Reference

HUE BIN	Rf	GRAPHIC SHIFTS %	
		CHROMA	HUE
1	77.6	-10.0%	1.8%
2	80.7	-7.5%	7.0%
3	79.5	-2.9%	8.9%
4	90.5	-3.1%	2.4%
5	93.9	-1.3%	1.9%
6	91.9	-0.9%	-0.2%
7	87.6	-6.3%	-2.7%
8	90.5	-5.4%	2.7%
9	83.8	-4.7%	6.5%
10	81.2	-2.5%	10.0%
11	83.3	3.9%	9.4%
12	86.4	5.6%	2.6%
13	86.2	4.5%	-12.4%
14	64.3	-1.0%	-21.9%
15	85.1	-4.4%	-7.5%
16	75.0	-9.9%	-12.0%

## 2700K | Rf: 88.3 | Rg: 95.2

COLOR VECTOR GRAPHIC

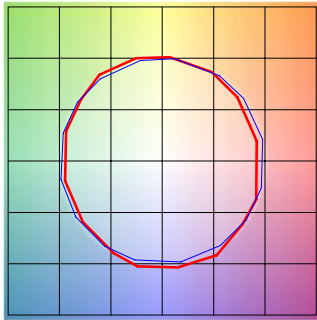


■ Test ■ Reference

HUE BIN	Rf	GRAPHIC SHIFTS %	
		CHROMA	HUE
1	86.4	-5.6%	2.3%
2	89.7	-3.3%	3.1%
3	90.5	-1.5%	3.8%
4	90.0	-4.3%	1.1%
5	92.9	-3.7%	0.2%
6	93.5	-2.5%	-0.8%
7	86.3	-7.2%	2.5%
8	90.7	-4.0%	3.2%
9	85.2	-2.4%	8.1%
10	81.7	0.9%	10.8%
11	85.4	4.5%	8.9%
12	88.7	5.7%	-1.4%
13	88.3	1.3%	-7.9%
14	85.1	2.4%	-10.4%
15	88.1	-4.8%	-2.7%
16	81.7	-4.3%	-10.9%

## 3000K | Rf: 88.1 | Rg: 99.7

COLOR VECTOR GRAPHIC

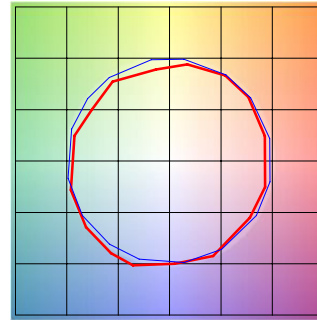


■ Test ■ Reference

HUE BIN	Rf	GRAPHIC SHIFTS %	
		CHROMA	HUE
1	87.7	-5.9%	-0.3%
2	87.9	-4.4%	4.3%
3	82.9	-1.2%	7.9%
4	89.9	0.6%	4.7%
5	92.7	3.0%	3.5%
6	92.7	3.6%	-1.7%
7	90.8	-1.3%	-4.4%
8	93.7	-2.5%	-2.2%
9	91.7	-3.7%	2.3%
10	85.5	-2.8%	7.8%
11	83.3	0.7%	11.0%
12	86.4	5.5%	3.8%
13	90.6	4.6%	-3.6%
14	85.6	5.9%	-8.4%
15	89.5	-0.6%	-5.7%
16	82.6	-2.7%	-12.0%

## 3500K | Rf: 88.2 | Rg: 97.1

COLOR VECTOR GRAPHIC

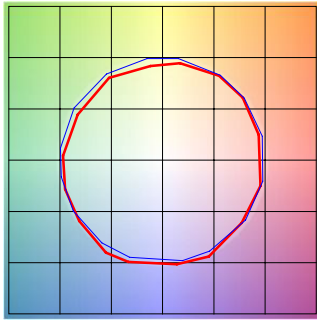


■ Test ■ Reference

HUE BIN	Rf	GRAPHIC SHIFTS %	
		CHROMA	HUE
1	86.6	-4.2%	3.4%
2	91.7	-1.4%	1.8%
3	94.9	-0.7%	0.4%
4	87.9	-4.5%	-4.1%
5	85.9	-10.3%	-2.7%
6	89.8	-5.2%	-0.4%
7	79.6	-9.5%	6.5%
8	87.6	-4.0%	5.7%
9	81.4	-0.5%	11.8%
10	78.3	3.3%	11.4%
11	85.7	6.3%	6.1%
12	86.3	7.1%	-4.6%
13	86.1	-0.7%	-9.6%
14	85.1	0.8%	-10.4%
15	83.4	-4.1%	-5.3%
16	82.5	-3.6%	-5.7%

## 4000K | Rf: 87.6 | Rg: 96.8

COLOR VECTOR GRAPHIC

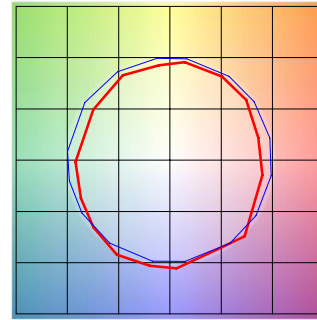


■ Test ■ Reference

HUE BIN	Rf	GRAPHIC SHIFTS %	
		CHROMA	HUE
1	89.0	-3.1%	2.1%
2	93.2	-0.9%	1.3%
3	94.3	-1.1%	0.7%
4	89.5	-4.0%	-2.3%
5	87.6	-7.8%	-1.8%
6	92.2	-4.6%	0.1%
7	87.4	-6.6%	3.6%
8	85.7	-3.8%	7.0%
9	81.5	-1.3%	12.4%
10	80.0	0.9%	11.4%
11	83.3	5.9%	8.7%
12	89.7	4.8%	-0.3%
13	88.5	2.4%	-6.3%
14	92.7	4.0%	-3.8%
15	86.1	-1.6%	-4.5%
16	85.0	-1.4%	-5.0%

## 5700K | Rf: 80.3 | Rg: 91.5

COLOR VECTOR GRAPHIC



■ Test ■ Reference

HUE BIN	Rf	GRAPHIC SHIFTS %	
		CHROMA	HUE
1	73.8	-11.2%	2.6%
2	83.7	-5.5%	5.8%
3	84.2	-4.0%	5.5%
4	85.8	-3.5%	1.3%
5	85.3	-7.1%	0.6%
6	89.2	-5.8%	-2.2%
7	81.5	-10.7%	1.2%
8	75.7	-9.7%	8.5%
9	74.9	-7.8%	18.8%
10	67.8	-1.6%	18.0%
11	76.1	5.5%	12.0%
12	90.8	4.9%	-1.6%
13	83.6	5.0%	-9.5%
14	81.7	-1.2%	-10.0%
15	69.0	2.0%	-22.8%
16	83.2	-8.5%	-1.0%

PROJECT	FIXTURE TYPE	DATE
---------	--------------	------

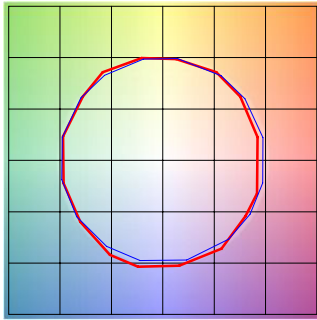
# PIPELINE 2 SUSPENSION DOWNLIGHT WITH REMOTE POWER—END FEED

REV 04.26.18 DESIGNED BY GREGORY KAY | ASSEMBLED IN AMERICA  
PATENT PENDING

**TM-30-15 DATA:** The data below is for SS2C, SS5C, SS7C, and SS10C bare LED Soft Strips. Consistent color temperatures throughout a single strip and among multiple strips is possible through a 3 phase binning process in which each order is inspected with a color meter to ensure uniformity.

## 2700D | Rf: 89.5 | Rg: 100.8

COLOR VECTOR GRAPHIC

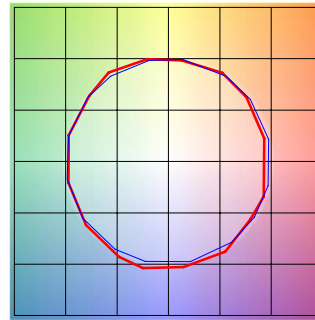


■ Test ■ Reference

HUE BIN	Rf	GRAPHIC SHIFTS %	
		CHROMA	HUE
1	88.8	-5.1%	1.4%
2	89.8	-2.7%	4.1%
3	87.2	0.3%	5.9%
4	92.3	-0.9%	1.0%
5	93.3	1.5%	1.7%
6	92.4	3.6%	-0.2%
7	92.2	-0.9%	-2.4%
8	96.7	-0.4%	-1.1%
9	92.3	-1.2%	3.7%
10	88.9	-0.0%	6.1%
11	86.4	5.1%	7.4%
12	88.2	6.3%	-0.9%
13	87.2	3.8%	-8.1%
14	84.2	3.8%	-11.0%
15	89.8	-2.6%	-4.3%
16	82.7	-3.4%	-11.1%

## 3000D | Rf: 89.8 | Rg: 101.4

COLOR VECTOR GRAPHIC



■ Test ■ Reference

HUE BIN	Rf	GRAPHIC SHIFTS %	
		CHROMA	HUE
1	90.2	-4.2%	1.5%
2	90.9	-2.0%	3.7%
3	87.9	0.8%	5.5%
4	92.1	-0.9%	0.6%
5	93.0	1.5%	1.6%
6	92.2	3.9%	-0.2%
7	92.1	-0.3%	-2.0%
8	96.7	0.0%	-1.2%
9	92.5	-0.6%	3.7%
10	88.3	1.1%	7.0%
11	87.2	4.1%	7.4%
12	87.2	6.7%	-1.0%
13	88.2	3.8%	-7.2%
14	85.3	4.3%	-9.9%
15	90.9	-2.2%	-3.6%
16	83.4	-2.2%	-11.2%

PROJECT		FIXTURE TYPE		DATE	
---------	--	--------------	--	------	--