


REV.04.21.15 

UL508 recognized unit  
RoHS compliant

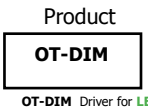
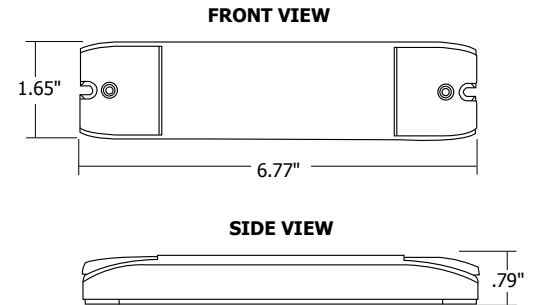
**Description:** OT-DIM is a compact, electronically stabilized dimming module with nominal output power of 60 watts at 12 volts DC. The dimming module is controlled via a 0-10V controller.

The Osram Sylvania OT-DIM module provides open circuit, short circuit, overload and overheating protection. Using pulse width modulation, the power supply to the LED modules is interrupted at a frequency of 135 Hz. This provides flicker-free, smooth dimming control.



**OT-DIM**  
Osram Sylvania

- Applications:** Indoor
- Power Capacity:** 12 volts DC input 5A 60W maximum output
- Input Signal:** 0-10V
- Resolution:** 0-100% dimming
- Dimensions:** 6.77"x1.65"x0.79"



OT-DIM Driver for LEDs

