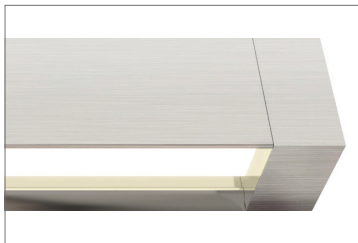




NOVA SUSPENSION DOWNLIGHT WITH REMOTE POWER

REV.01.17.18

DESIGNED BY GREGORY KAY | ASSEMBLED IN AMERICA



Shown without Louver



Shown with White Louver



Shown with Black Louver



Description

Nova Suspension Downlight with Remote 24VDC power supply (sold separately) is a linear LED fixture that offers direct light in a clean, contemporary style. Nova is available in various increments from 12" to 420", a 100° beam spread, optional louver for adjustability, and a variety of finishes with Warm Dim, Tunable White, and RGB options. Fixture includes a 5 year warranty. For custom designs and quotes, send drawings to Design@PureEdgeLighting.com.

Wattages for this fixture are available in the following options:

- 5W 4.4 watts per foot, lengths up to 420" (35ft)
- 7W 7.3 watts per foot, lengths up to 288" (24ft)
- 10W 9.6 watts per foot, lengths up to 240" (20ft)

Installation

- Includes 12ft power cable and your choice of one or 2 canopies; one for remote power, one blank - 2R2, 2S2, 4R2, 4S2
- Mounts to a standard junction box, prewired from either a 120V 60 watt NON-IC (50W-IC) power supply that fits in the ceiling electrical junction box, or from a remote power supply feeding 24VDC up to 200 watts at a maximum of 40ft away
- Adjustable 12ft coaxial and aircraft cables included; additional aircraft cables included for support when fixture exceeds 96"
- Includes suspension cables (for support every 6ft)
- Remote 120V/24VDC power supply in 100 or 200 watts sold separately

Finishes

- Satin Nickel, Chrome, Satin Aluminum, and White come with Satin Nickel hardware. Satin Black comes with Antique Bronze hardware

Lenses

- Diffused White 100° Lens or Clear Frosted 60° Lens both offered with black or white louvers

Applications

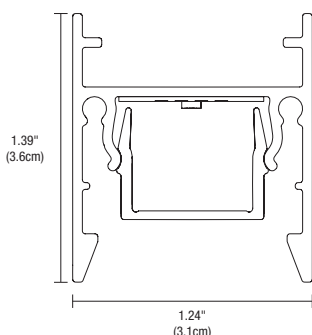
- Indoor Only - Kitchens, Dining Rooms, Hallways, Conference Rooms, Offices, Architectural, General, Retail

Lamping

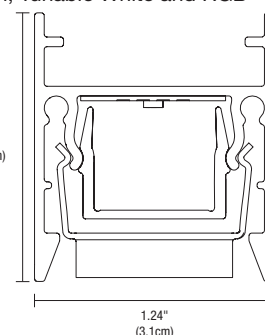
- Choose from 10 color temperatures from 2200K-5700K including Warm Dim, Tunable White and RGB
- Warm Dim (optional): 2700K to 2000K (27D) or 3000K to 2000K (30D)
- Tunable White (optional): 2000K-4000K
- RGB (optional): Red, Green, Blue
- 50,000 Hour Lamp Life

Remote Power Supplies & Dimmers (Sold Separately)

- Electronic Low Voltage Dimming (ELV)
 - 0-10 Volt Dimming (0-10V)
 - Lutron Hi-lume®
 - DMX: Dynamic Color Changing
- *In-Wall Mounting Kits available for select power supplies



Channel Without Louver
(Shown Actual Size)



Channel With Louver
(Shown Actual Size)

System	Wattage Per Foot	Canopy	Nominal Size	Color Temperature	Finish
NSD	5W	2R	420	22K	SN
NSD Nova Suspension Diffused lens NSDW Nova Suspension Diffused with White louver NSDB Nova Suspension Diffused with Black louver NSCW Nova Suspension Clear frosted lens with White louver NSCB Nova Suspension Clear frosted lens with Black louver	5W 4.4 Watt, 420" (35ft) max length 7W 7.3 Watt, 288" (24ft) max length 10W 9.6 Watt, 240" (20ft) max length	2R 2" Round Canopy 2S 2" Square Canopy 4R 4" Round Canopy 4S 4" Square Canopy 2R2 2x2.8" Round Canopies 2S2 2x2.8" Square Canopies 4R2 2x4.6" Round Canopies 4S2 2x4.6" Square Canopies	12-420 Order in various increments from 12" to 420". Maximum shipping length is 120". Maximum shipping length for Chrome is 84".	22K 2200K Amber White 27K 2700K Very Warm White 27D 2700K Warm Dim (5W only) 30K 3000K Warm White 30D 3000K Warm Dim (5W only) 35K 3500K Neutral White 40K 4000K Cool White 57K 5700K Daylight White 2K4K 2000K-4000K Tunable White (5W only, 20ft. max) RGB Red, Green, Blue (5W only)	SN Satin Nickel CH Chrome BK Satin Black WH White SA Satin Aluminum

PROJECT	FIXTURE TYPE	DATE
---------	--------------	------



NOVA SUSPENSION DOWNLIGHT WITH REMOTE POWER

REV.01.17.18

DESIGNED BY GREGORY KAY | ASSEMBLED IN AMERICA

Lamp Data: Lamp data for Downlight Channel

NSD																				
100 Degree Diffused White Lens without Louver																				
DESCRIPTION	5w (4.4 watts)								7w (7.3 watts)								10w (9.6 watts)			
WATTS PER FOOT																				
COLOR TEMPERATURE	22K	27K	27D*	30K	30D*	35K	40K	57K	22K	27K	30K	35K	40K	57K	22K	27K	30K	35K	40K	57K
LUMENS PER FOOT (lm/ft)	201	245	302	268	330	307	334	355	320	390	426	488	531	565	378	461	503	576	627	667
LUMENS PER WATT (lm/w)	46	56	63	61	69	70	76	81	44	53	58	67	73	77	39	48	52	60	65	69
CRI	85+	95+	95+	95+	95+	85+	84	84	85+	95+	95+	85+	84	84	85+	95+	95+	85+	84	84

NSDW																				
100 Degree Diffused White Lens with White Louver																				
DESCRIPTION	5w (4.4 watts)								7w (7.3 watts)								10w (9.6 watts)			
WATTS PER FOOT																				
COLOR TEMPERATURE	22K	27K	27D*	30K	30D*	35K	40K	57K	22K	27K	30K	35K	40K	57K	22K	27K	30K	35K	40K	57K
LUMENS PER FOOT (lm/ft)	141	172	212	188	231	215	234	249	224	273	298	342	371	395	264	322	352	403	439	467
LUMENS PER WATT (lm/w)	32	39	44	43	48	49	53	57	31	37	41	47	51	54	28	34	37	42	46	49
CRI	85+	95+	95+	95+	95+	85+	84	84	85+	95+	95+	85+	84	84	85+	95+	95+	85+	84	84

NSDB																				
100 Degree Diffused White Lens with Black Louver																				
DESCRIPTION	5w (4.4 watts)								7w (7.3 watts)								10w (9.6 watts)			
WATTS PER FOOT																				
COLOR TEMPERATURE	22K	27K	27D*	30K	30D*	35K	40K	57K	22K	27K	30K	35K	40K	57K	22K	27K	30K	35K	40K	57K
LUMENS PER FOOT (lm/ft)	88	108	132	118	145	135	146	156	140	171	187	214	232	247	165	202	220	252	274	292
LUMENS PER WATT (lm/w)	20	24	28	27	30	31	33	35	19	23	26	29	32	34	17	21	23	26	29	30
CRI	85+	95+	95+	95+	95+	85+	84	84	85+	95+	95+	85+	84	84	85+	95+	95+	85+	84	84

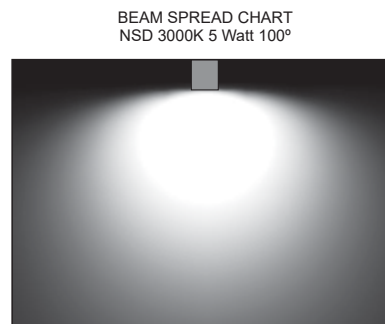
NSCW																				
60 Degree Clear Frosted Lens with White Louver																				
DESCRIPTION	5w (4.4 watts)								7w (7.3 watts)								10w (9.6 watts)			
WATTS PER FOOT																				
COLOR TEMPERATURE	22K	27K	27D*	30K	30D*	35K	40K	57K	22K	27K	30K	35K	40K	57K	22K	27K	30K	35K	40K	57K
LUMENS PER FOOT (lm/ft)	169	206	254	226	278	258	281	299	269	328	358	410	446	475	317	387	423	485	527	561
LUMENS PER WATT (lm/w)	38	47	53	51	58	59	64	68	37	45	49	56	61	65	33	40	44	50	55	58
CRI	85+	95+	95+	95+	95+	85+	84	84	85+	95+	95+	85+	84	84	85+	95+	95+	85+	84	84

NSCB																				
60 Degree Clear Frosted Lens with Black Louver																				
DESCRIPTION	5w (4.4 watts)								7w (7.3 watts)								10w (9.6 watts)			
WATTS PER FOOT																				
COLOR TEMPERATURE	22K	27K	27D*	30K	30D*	35K	40K	57K	22K	27K	30K	35K	40K	57K	22K	27K	30K	35K	40K	57K
LUMENS PER FOOT (lm/ft)	106	129	159	141	174	162	176	187	168	205	224	257	279	297	199	242	265	303	330	351
LUMENS PER WATT (lm/w)	24	29	33	32	36	37	40	43	23	28	31	35	38	41	21	25	28	32	34	37
CRI	85+	95+	95+	95+	95+	85+	84	84	85+	95+	95+	85+	84	84	85+	95+	95+	85+	84	84

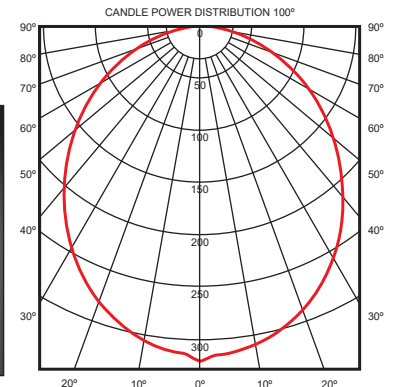
*27D, 30D - Warm Dim (4.8 Watts)

5 Watt 100°	
Distance	Foot Candles
1'	152
1.5'	100
2'	74
3'	47
4'	34
5'	25
6'	20
7'	15
8'	13

7 Watt 100°	
Distance	Foot Candles
1'	251
1.5'	165
2'	121
3'	79
4'	57
5'	43
6'	34
7'	27
8'	23



BEAM SPREAD CHART
NSD 3000K 5 Watt 100°



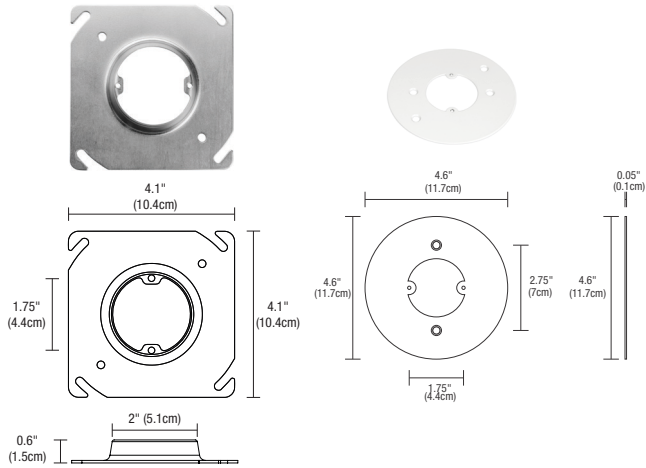
PROJECT	FIXTURE TYPE	DATE
---------	--------------	------



NOVA SUSPENSION DOWNLIGHT WITH REMOTE POWER

REV.01.17.18 DESIGNED BY GREGORY KAY | ASSEMBLED IN AMERICA

Components: Swag Bar & Hook, Swag Hook, and T-Bar are compatible with all Power Canopy options and may be required based on lighting design and application.



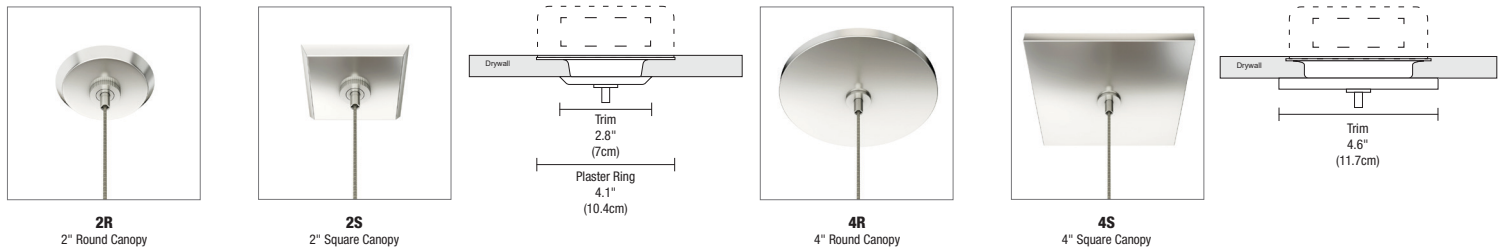
New Construction and Remodel 2" Cover for 4" Sq Junction Box

The New Construction NC2-JBOX cover is included with the 2" round and square canopies and is not required for the 4" square canopies. NC2 New Construction Junction Box Cover mounts to a standard 4" electrical box or octagon box, converting it to a 2" plaster ring for use with the 2R (round) or 2S (square) canopy. The Remodel RM2-JBOX Plaster Plate cover is used with an existing 4" square junction box and standard round plaster ring. The PS-60L-ELV-24VDC (50 watt IC, 60 watt Non-IC) will fit inside the NC2 or RM2-JBOX cover and electrical junction box for a flush look.

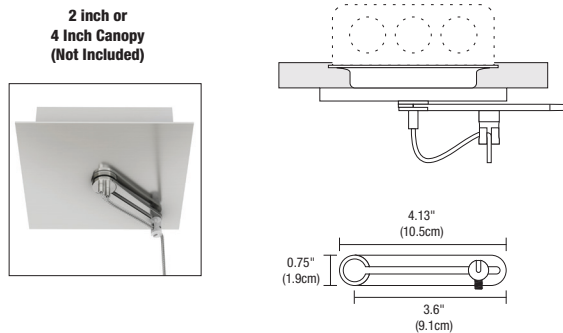
System	Type
NC2	JBOX
NC2 New Construction 2" Remodel Plaster Plate	JBOX JBox Cover

Nova Remote Power Canopies (Included)

Canopies are included with canopy ordering code. The 2" Round and Square Canopy includes a special plaster ring NC2-JBOX (above). The 4" Square or Round Canopy fits on a standard 4" Electrical Box with round plaster ring and the PS-60L-ELV-24VDC 50 watt IC, 60 watt Non-IC) will fit inside the NC2 or RM2-JBOX cover and electrical junction box for a flush look.



2 inch or 4 inch Canopy (Not Included)



Channel Suspension Adjustable Swag Bar and Hook

Channel Suspension Adjustable Swag Bar and Hook allows a cable to form a straight connection to the channel when the Power Canopy is not located directly above the fixture. Use when you have two or more canopies (power supplies) on the same fixture run. The Adjustable Swag Hook is compatible with the 2R, 2S, 4R, 4S, 5S, 6S and 8R Power Canopies (Canopy not included).

Product	Type	Finish
CS	ADJ-SWAG	SN
CS Channel Suspension	ADJ-SWAG Adjustable Swag Hook for Static White ADJ-DP-SWAG Dual Post Adjustable Swag Hook for 2K4K & RGB	SN Satin Nickel

Channel Suspension Swag Hook

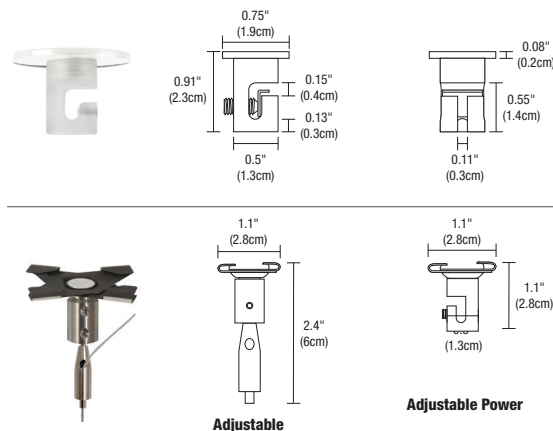
The clear plastic Swag Hook extends a cable from an electrical box that is not located directly above desired fixture location.

System	Type
CS	SWAG
CS Channel Suspension	SWAG Swag Hook

Nova Suspension Adjustable T-Bar Clip

Nova Suspension Adjustable T-Bar Clip mounts to T-Bar grid ceilings. Available in Satin Nickel hardware as adjustable power and non-power versions.

Product	Type	Options	Finish
CS	TBAR	A	W
CS Channel Suspension	TBAR 9/16" and 15/16"	A Adjustable AP Adjustable Power	W White BK Satin Black



PROJECT	FIXTURE TYPE	DATE
---------	--------------	------

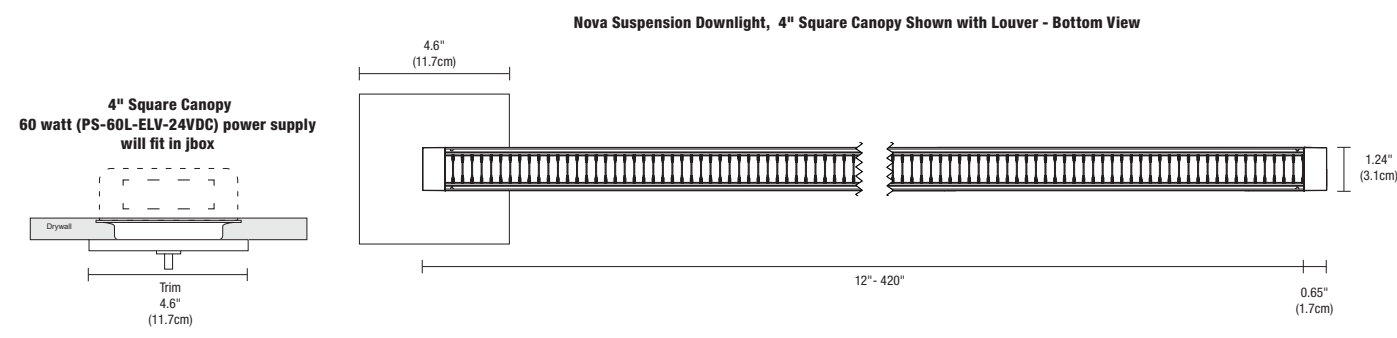
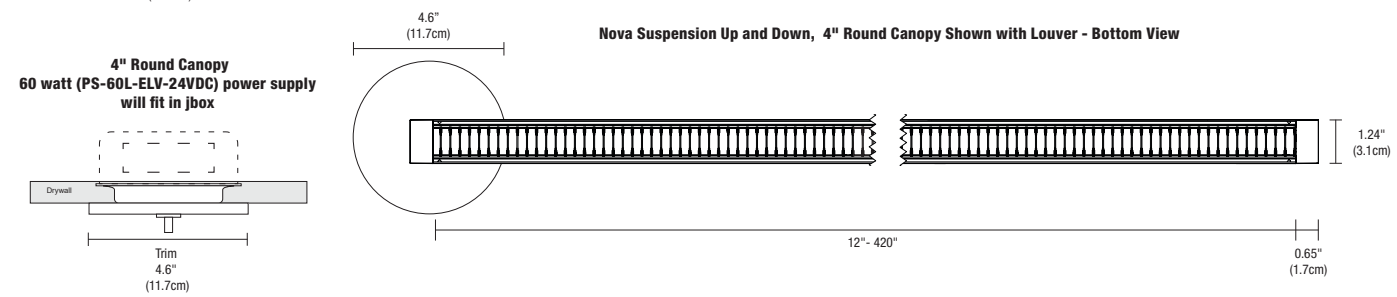
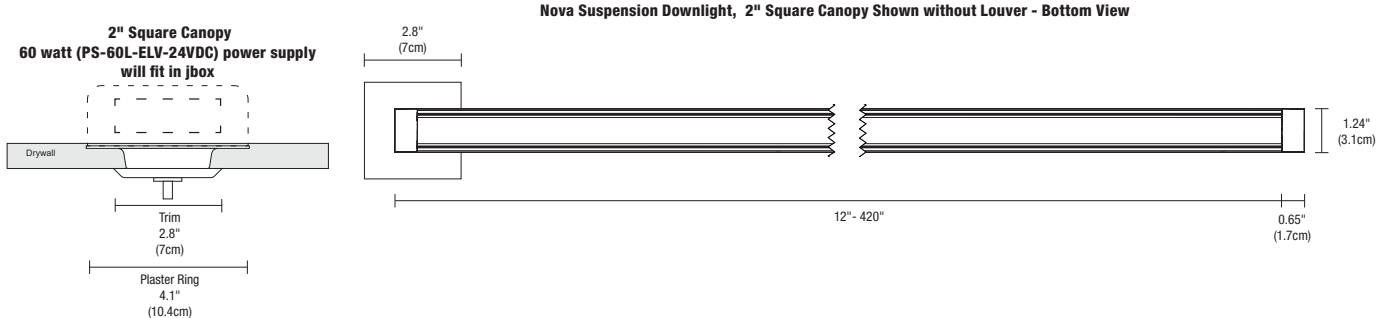
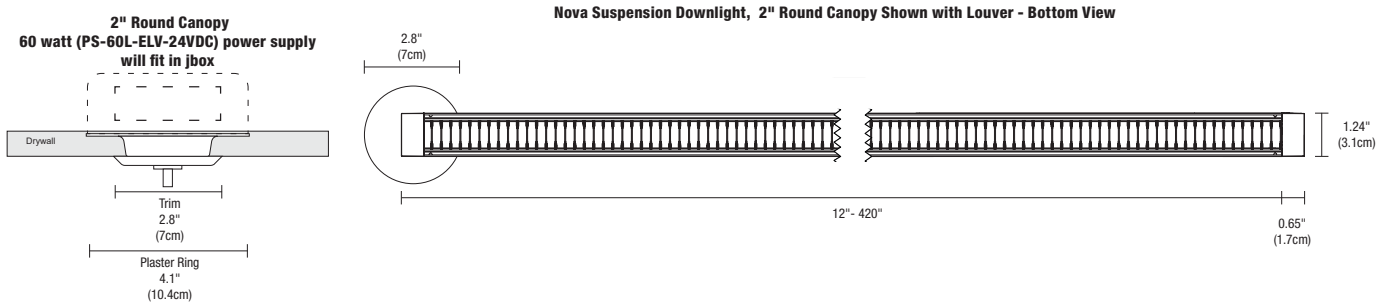


NOVA SUSPENSION DOWNLIGHT WITH REMOTE POWER

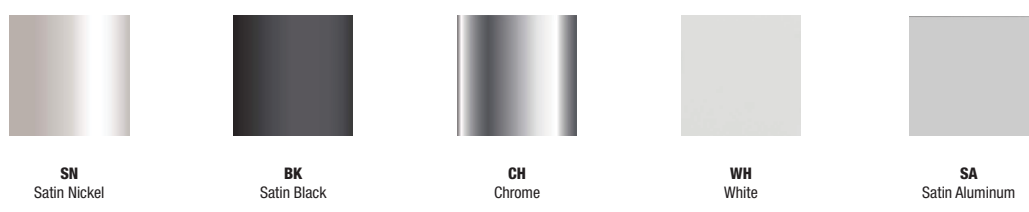
REV.01.17.18

DESIGNED BY GREGORY KAY | ASSEMBLED IN AMERICA

Drawings: Drawings are shown with 2 inch round canopy, 2 inch square canopy, 4 inch round canopy, and 4 inch square canopy.



Finishes: The finishes available for the Nova Ceiling Downlight



PROJECT	FIXTURE TYPE	DATE
---------	--------------	------



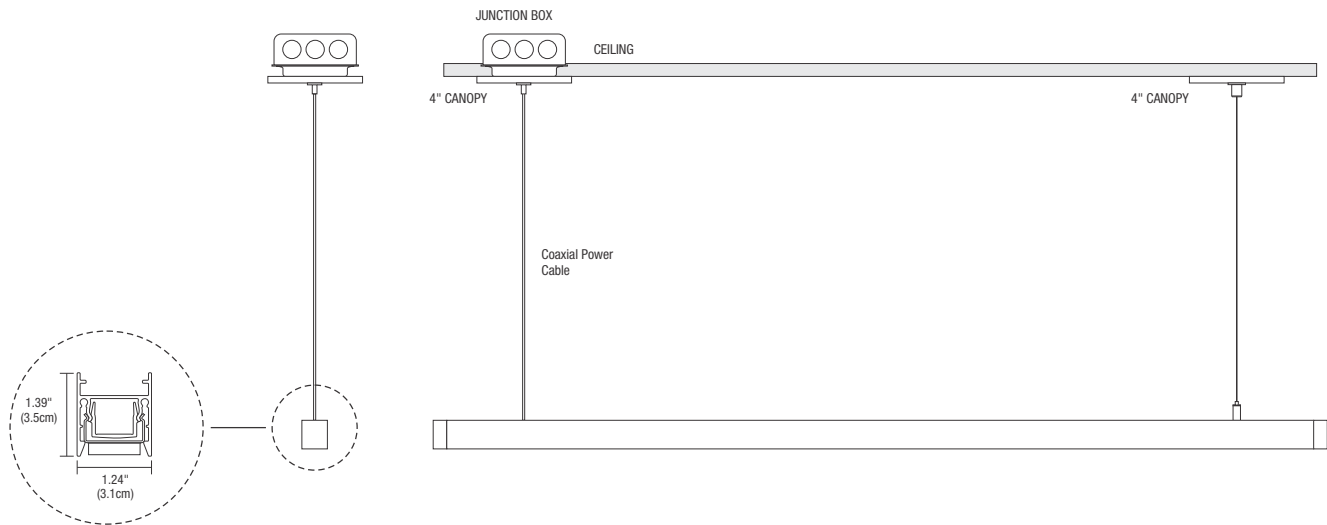
NOVA SUSPENSION DOWNLIGHT WITH REMOTE POWER

REV.01.17.18

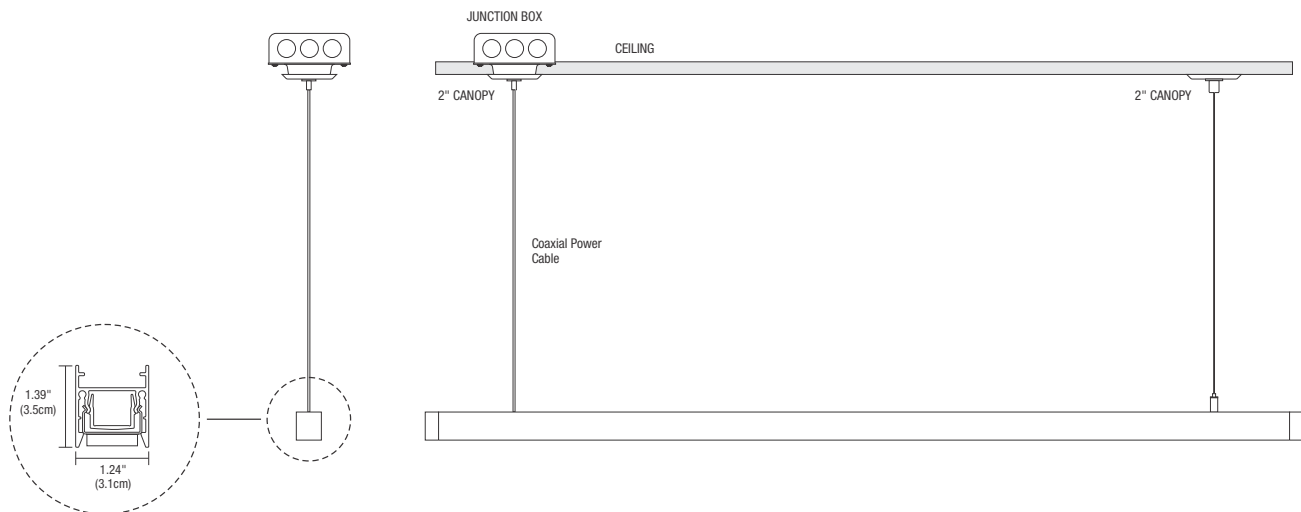
DESIGNED BY GREGORY KAY | ASSEMBLED IN AMERICA

Drawings: Side-view shown with two 2 and 4 inch canopies; one for remote power, one blank

Nova Suspension Downlight with Remote Power 4R2, 4S2, 4" Canopy Shown with Louver



Nova Suspension Downlight with Remote Power 2R2, 2S2, 2" Canopy Shown with Louver



PROJECT		FIXTURE TYPE		DATE	
---------	--	--------------	--	------	--



NOVA SUSPENSION DOWNLIGHT WITH REMOTE POWER

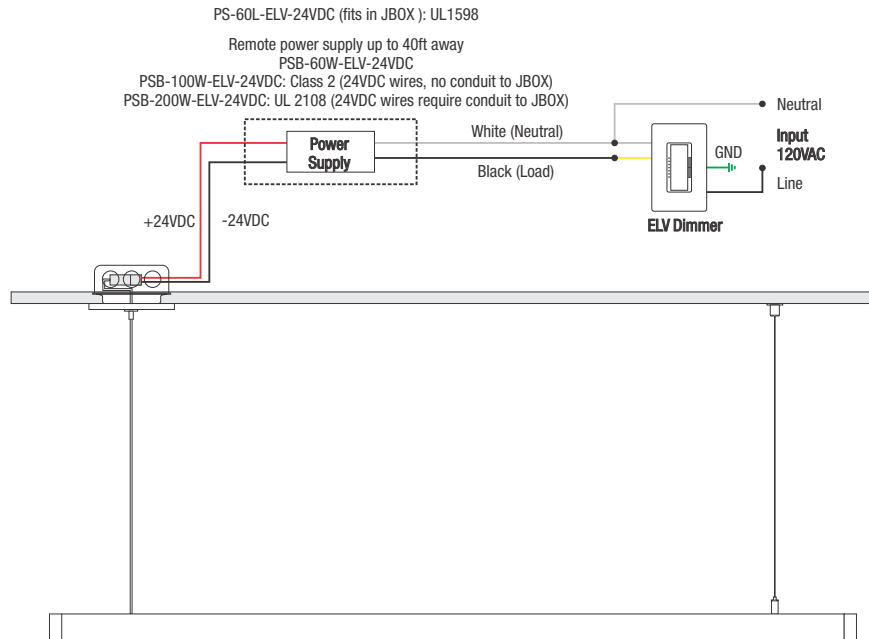
REV.01.17.18

DESIGNED BY GREGORY KAY | ASSEMBLED IN AMERICA

Wiring Diagram: Wiring diagram for Static White with ELV Dimmer

Application: ELV dimming for Nova Suspension Downlight, End Feed Canopy, Static White

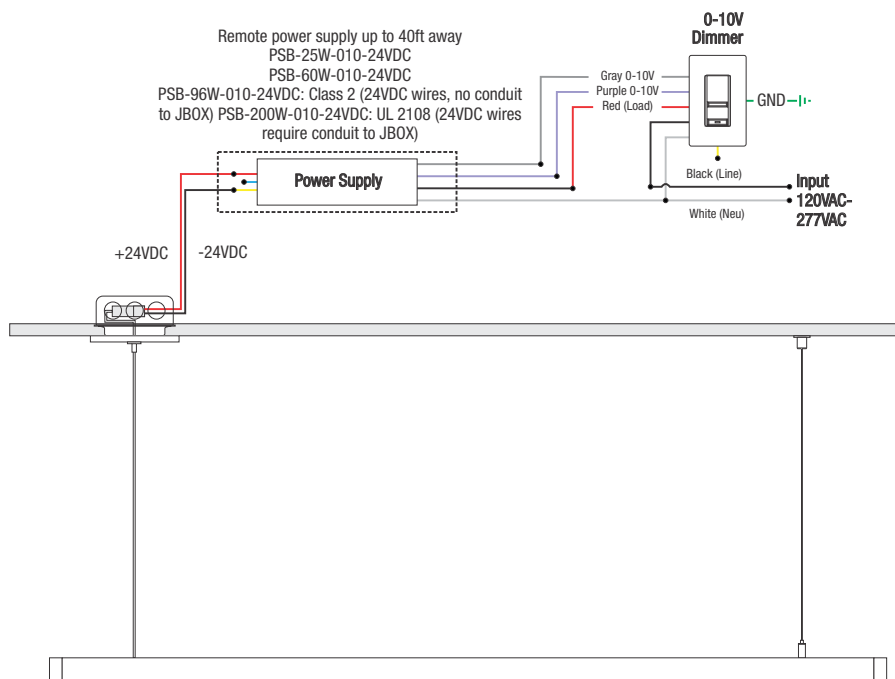
Dimming: Dimmable with ELV dimmer: Legrand, Adorne ADTP703TU; Lutron: Diva DVELV-300P, Skylark SELV-300P, Maestro MAELV-600 and Radio Ra 2



Wiring Diagram: Wiring diagram for Static White with 0-10 Volt Dimmer

Application: 0-10V dimming for Nova Suspension Downlight, End Feed Canopy, Static White

Dimming: Dimmable with 0-10V dimmer: Philips: Sunrise SR1200ZTUNV; Lutron: Diva DDTV-WH, Nova-T NTSTV-DV-XX, Grafix Eye QS QSGRJ-XP, Radio RA2 RRD-1-ND; Leviton: LEV40050, IP710-LFZ; Legrand ADPD4FBL3P2W4



PROJECT		FIXTURE TYPE		DATE	
---------	--	--------------	--	------	--

NOVA SUSPENSION DOWNLIGHT WITH REMOTE POWER

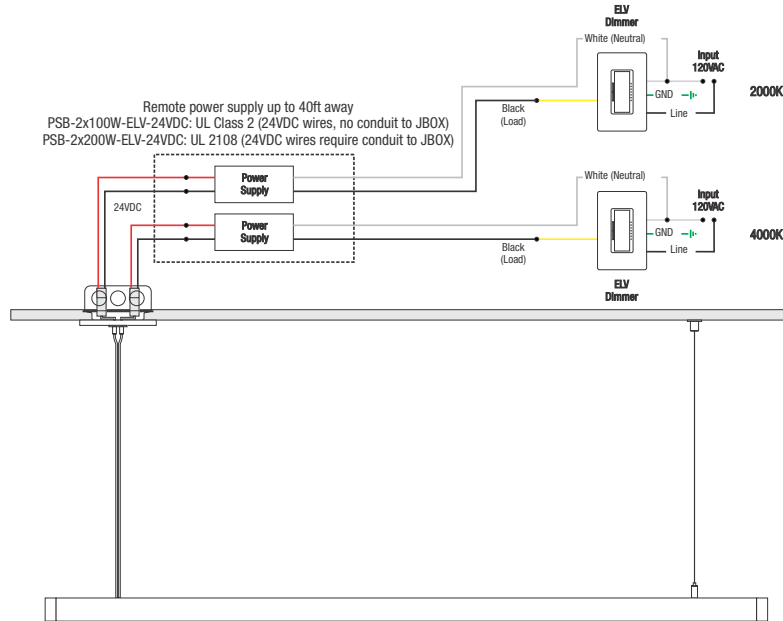
REV.01.17.18

DESIGNED BY GREGORY KAY | ASSEMBLED IN AMERICA

Wiring Diagram: Wiring diagram for Tunable White with Dual ELV Dimmers

Application: ELV dimming for Nova Suspension Downlight, End Feed Canopy, Tunable White 2000K-4000K

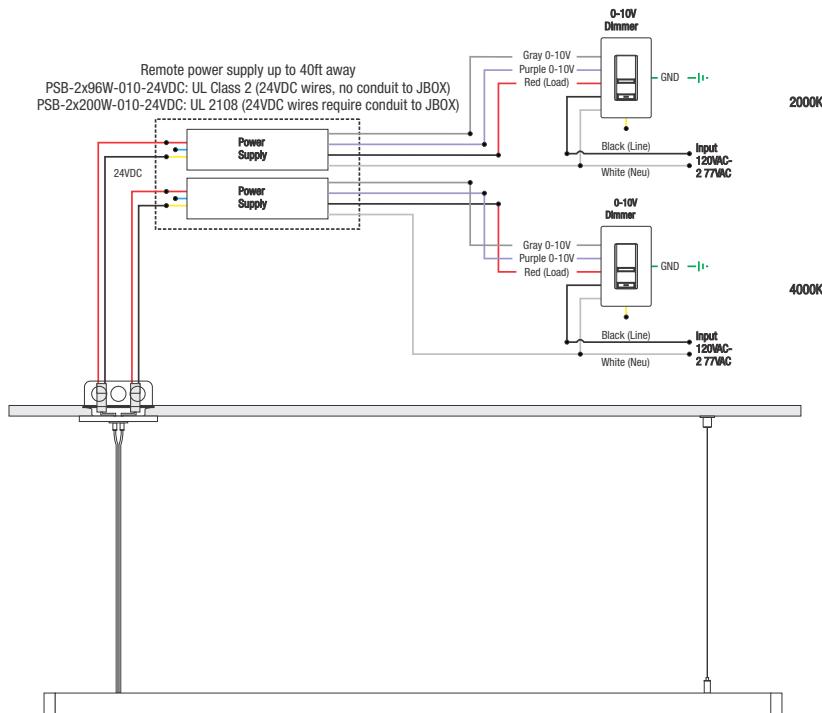
Dimming: Dimmable with ELV dimmer: Legrand, Adorne ADTP703TU; Lutron: Diva DVELV-300P, Skylark SELVz-300P, Maestro MAELV-600 and Radio Ra 2



Wiring Diagram: Wiring diagram for Tunable White with Dual 0-10 Volt Dimmers

Application: 0-10V dimming for Nova Suspension Downlight, End Feed Canopy, Tunable White 2000K-4000K

Dimming: Dimmable with 0-10 dimmer: Philips: Sunrise SR1200ZTUNV; Lutron: Diva DVTV-WH, Nova-T NTSTV-DV-XX, Grafix Eye QS QSGRJ-XP, Radio RA2 RRD-1-ND; Leviton: LEV40050, IP710-LFZ; Legrand ADPD4FBL3P2W4



PROJECT	FIXTURE TYPE	DATE
---------	--------------	------



NOVA SUSPENSION DOWNLIGHT WITH REMOTE POWER

REV.01.17.18

DESIGNED BY GREGORY KAY | ASSEMBLED IN AMERICA

Required Components: 24VDC ELV Compatible Power Supplies

ELECTRONIC LOW-VOLTAGE (ELV) POWER SUPPLIES & RECOMMENDED DIMMERS¹

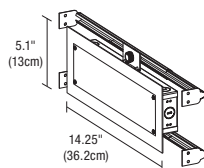
	PS-60L-ELV-24VDC	PSB-60W-ELV-24VDC	PSB-2X60W-ELV-24VDC	PSB-100W-ELV-24VDC
ORDERING CODES				
SPECIFICATIONS				
MAXIMUM LOAD	60W-NON-IC, 50W-IC (FITS IN JBOX)	60W	2X60W	96W
INPUT VOLTAGE	120VAC	120VAC	120VAC	120VAC
OUTPUT VOLTAGE	24VDC	24VDC	24VDC	24VDC
DIMENSIONS	2.25" X 1.25" X 0.83"	8.125" X 2" X 1.75"	12.15" X 6.48" X 2.18"	9.25" X 3.5" X 2"
CLASSIFICATION	CLASS 2	CLASS 2	CLASS 2	CLASS 2
IN WALL MOUNTING	N/A	PSB-60W-ELV-24VDC-IW	PSB-2X60W-ELV-24VDC-IW	PSB-100W-ELV-24VDC-IW
DIMMING AND CONTROLS				
LUTRON DIVA: DVELV-300P	•	•	•	•
LUTRON SKYLARK: SELV-300P	•	•	•	•
LUTRON RADIO RA2: RRD-6NA	N/A	•	•	•
LUTRON MAESTRO: MAELV-600	•	•	•	•
LEGRAND ADORNE: ADTP-703TUM4	N/A	•	•	•

ELECTRONIC LOW-VOLTAGE (ELV) POWER SUPPLIES & RECOMMENDED DIMMERS¹

	PSB-2X100W-ELV-24VDC	PSB-3X100W-ELV-24VDC	PSB-4X100W-ELV-24VDC	PSB-200W-ELV-24VDC	PSB-2X200W-ELV-24VDC
ORDERING CODES					
SPECIFICATIONS					
MAXIMUM LOAD	2X96W	3X96W	4X96W	200W	2X200W
INPUT VOLTAGE	120VAC	120VAC	120VAC	120VAC	120VAC
OUTPUT VOLTAGE	24VDC	24VDC	24VDC	24VDC	24VDC
DIMENSIONS	12.15" X 6.48" X 2.18"	14" X 10" X 3"	17" X 13" X 3"	12.15" X 6.48" X 2.18"	14" X 10" X 3"
CLASSIFICATION	CLASS 2	CLASS 2	CLASS 2	UL2108*	UL2108*
IN WALL MOUNTING	PSB-2X100W-ELV-24VDC-IW	N/A	N/A	PSB-200W-ELV-24VDC-IW	N/A
DIMMING AND CONTROLS					
LUTRON DIVA: DVELV-300P	•	•	•	•	•
LUTRON SKYLARK: SELV-300P	•	•	•	•	•
LUTRON RADIO RA2: RRD-6NA	•	•	•	•	•
LUTRON MAESTRO: MAELV-600	•	•	•	•	•
LEGRAND ADORNE: ADTP-703TUM4	•	•	•	•	•

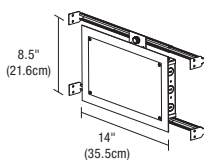
¹24K - 57K color temperatures are compatible with 0-10V, ELV, and Lutron Hi-lume® Power Supplies. Warm Dim (27D, 30D) color temperatures are only compatible with ELV power supplies. Tunable White (2K4K) color temperature is compatible with 0-10V, ELV, DMX, and Lutron Hi-lume® Power Supplies. Dynamic Color (RGB) and Static Color (Blue, Green, or Red) are compatible with DMX Power Supplies.

*Classification: UL2108 -24VDC over 100 watts, wires must be in conduit from Remote Power Supply to Junction Box in ceiling.



5.1 x 14.25 inch In-Wall Mounting Kit: Includes power supply, box cover, and stud hangers for installing Junction Box in wall. Select "IW" in the options section of compatible power supply ordering codes if an In-Wall Mounting Kit is needed.

Ordering Codes: PSB-60W-ELV-24VDC-IW, PSB-100W-ELV-24VDC-IW



8.5 x 14 inch In-Wall Mounting Kit: Includes power supply, box cover, and stud hangers for installing Junction Box in wall. Select "IW" in the options section of compatible power supply ordering codes if an In-Wall Mounting Kit is needed.

Ordering Codes: PSB-2x60W-ELV-24VDC-IW, PSB-2x100W-ELV-24VDC-IW, PSB-200W-ELV-24VDC-IW

PROJECT		FIXTURE TYPE		DATE	
---------	--	--------------	--	------	--



NOVA SUSPENSION DOWNLIGHT WITH REMOTE POWER

REV.01.17.18

DESIGNED BY GREGORY KAY | ASSEMBLED IN AMERICA

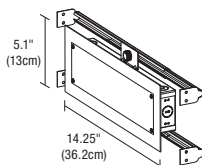
Required Components: 24VDC 0-10V Compatible Power Supplies

0-10 VOLT (010) POWER SUPPLIES & RECOMMENDED DIMMERS†				
ORDERING CODES	PSB-25W-010-24VDC	PSB-60W-010-24VDC	PSB-96W-010-24VDC	PSB-2X96W-010-24VDC
SPECIFICATIONS				
MAXIMUM LOAD	25W	60W	96W	2X96W
INPUT VOLTAGE	120VAC	120-277VAC	120-277VAC	120-277VAC
OUTPUT VOLTAGE	24VDC	24VDC	24VDC	24VDC
DIMENSIONS	12.4" X 3.12" X 2.18"	12.4" X 3.12" X 2.18"	12.4" X 3.12" X 2.18"	12.15" X 6.48" X 2.18"
CLASSIFICATION	CLASS 2	CLASS 2	CLASS 2	CLASS 2
IN WALL MOUNTING	PSB-25W-010-24VDC-IW	PSB-60W-010-24VDC-IW	PSB-96W-010-24VDC-IW	PSB-2X96W-010-24VDC-IW
DIMMING AND CONTROLS				
PHILIPS SUNRISE: SR1200ZTUNV	•	•	•	•
LUTRON DIVA: DVTV-WH	•	•	•	•
LUTRON NOVA T: NTSTV-DV-XX	•	•	•	•
LUTRON GRAFIX EYE QS: QSGRJ-XP	•	•	•	•
LUTRON RADIO RA2: RRD-10ND	•	•	•	•
LEVITON: LEV40050	•	•	•	•
LEVITON IP710-LFZ	•	•	•	•
LEGRAND: ADPD4FBL3P2W4	•	•	•	•

0-10 VOLT (010) POWER SUPPLIES & RECOMMENDED DIMMERS†				
ORDERING CODES	PSB-3X96W-010-24VDC	PSB-4X96W-010-24VDC	PSB-200W-010-24VDC	PSB-2X200W-010-24VDC
SPECIFICATIONS				
MAXIMUM LOAD	3X96W	4X96W	200W	2X200W
INPUT VOLTAGE	120-277VAC	120-277VAC	120VAC	120VAC
OUTPUT VOLTAGE	24VDC	24VDC	24VDC	24VDC
DIMENSIONS	14" X 10" X 3"	17" X 13" X 3"	12.15" X 6.48" X 2.18"	14" X 10" X 3"
CLASSIFICATION	CLASS 2	CLASS 2	UL2108*	UL2108*
IN WALL MOUNTING	N/A	N/A	PSB-200W-010-24VDC-IW	N/A
DIMMING AND CONTROLS				
PHILIPS SUNRISE: SR1200ZTUNV	•	•	•	•
LUTRON DIVA: DVTV-WH	•	•	•	•
LUTRON NOVA T: NTSTV-DV-XX	•	•	•	•
LUTRON GRAFIX EYE QS: QSGRJ-XP	•	•	•	•
LUTRON RADIO RA2: RRD-10ND	•	•	•	•
LEVITON: LEV40050	•	•	•	•
LEVITON IP710-LFZ	•	•	•	•
LEGRAND: ADPD4FBL3P2W4	•	•	•	•

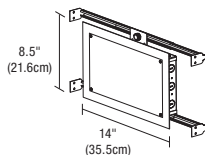
*24K - 57K color temperatures are compatible with 0-10V, ELV, and Lutron Hi-lume® Power Supplies. Warm Dim (27D, 30D) color temperatures are only compatible with ELV power supplies. Tunable White (2K4K) color temperature is compatible with 0-10V, ELV, DMX, and Lutron Hi-lume® Power Supplies. Dynamic Color (RGB) and Static Color (Blue, Green, or Red) are compatible with DMX Power Supplies.

*Classification: UL2108 -24VDC over 100 watts, wires must be in conduit from Remote Power Supply to Junction Box in ceiling.



5.1 x 14.25 inch In-Wall Mounting Kit: Includes power supply, box cover and stud hangers for installing Junction Box in wall. Select "IW" in the options section of compatible power supply ordering codes if an In-Wall Mounting Kit is needed.

Ordering Codes: PSB-25W-010-24VDC-IW, PSB-60W-010-24VDC-IW, PSB-96W-010-24VDC-IW



8.5 x 14 inch In-Wall Mounting Kit: Includes power supply, box cover and stud hangers for installing Junction Box in wall. Select "IW" in the options section of compatible power supply ordering codes if an In-Wall Mounting Kit is needed.

Ordering Codes: PSB-2X96W-010-24VDC-IW, PSB-200W-010-24VDC-IW

PROJECT		FIXTURE TYPE		DATE	
---------	--	--------------	--	------	--




NOVA SUSPENSION DOWNLIGHT WITH REMOTE POWER

REV.01.17.18

DESIGNED BY GREGORY KAY | ASSEMBLED IN AMERICA

Required Components: 24VDC Lutron Compatible Power Supply

LUTRON HI-LUME® PREMIER .1% ECOSYSTEM® 3-WIRE POWER SUPPLY & RECOMMENDED CONTROLLERS†

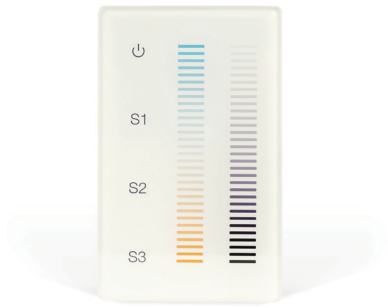
ORDERING CODES	<p>L3D0-96W24V-U</p> 
SPECIFICATIONS	
MAXIMUM LOAD	96W
INPUT VOLTAGE	120-277VAC
OUTPUT VOLTAGE	24VDC
DIMENSIONS	10.5" X 5.5" X 2"
CLASSIFICATION	CLASS 2
DIMMING AND CONTROLS	
RADIO RA2	•
HOMEWORKS QS	•
PHPM-3F-120	•
PHPM-3F-DV	•
BCI-0-10	•

†24K - 57K color temperatures are compatible with 0-10V, ELV, and Lutron Hi-lume® Power Supplies. Warm Dim (27D, 30D) color temperatures are only compatible with ELV power supplies. Tunable White (2K4K) color temperature is compatible with 0-10V, ELV, DMX, and Lutron Hi-lume® Power Supplies. Dynamic Color (RGB) and Static Color (Blue, Green, or Red) are compatible with DMX Power Supplies.

PROJECT		FIXTURE TYPE		DATE	
---------	--	--------------	--	------	--

TUNABLE WHITE TOUCH CONTROLLER

REV.01.17.18



Description:

The Tunable White Touch Controller is a full-touch controller that offers fast and accurate color temperature adjustment and independent brightness dimming of a single zone. Designed for tunable white and dual-color LED installations, this controller adjusts color temperature and brightness for warm and cool white LEDs. It also saves 3 preset scenes. Independent smooth dimming with 256 level brightness adjustment enables the DMX controller to achieve many colors within the full LED spectrum. Controller includes a power adapter that fits in junction box (not included) behind the controller. It contains an illuminated back light when powered off.

Applications:

Indoor

Installation:

Fits in a single gang 2.5 inch deep junction box, not to be used with a multi gang box

Power Input:

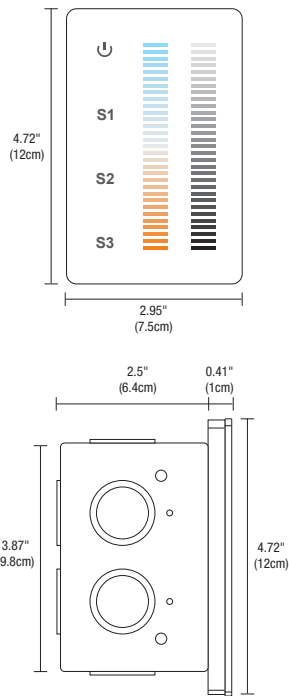
120-277VAC

Compatible Power Supplies (Sold Separately):

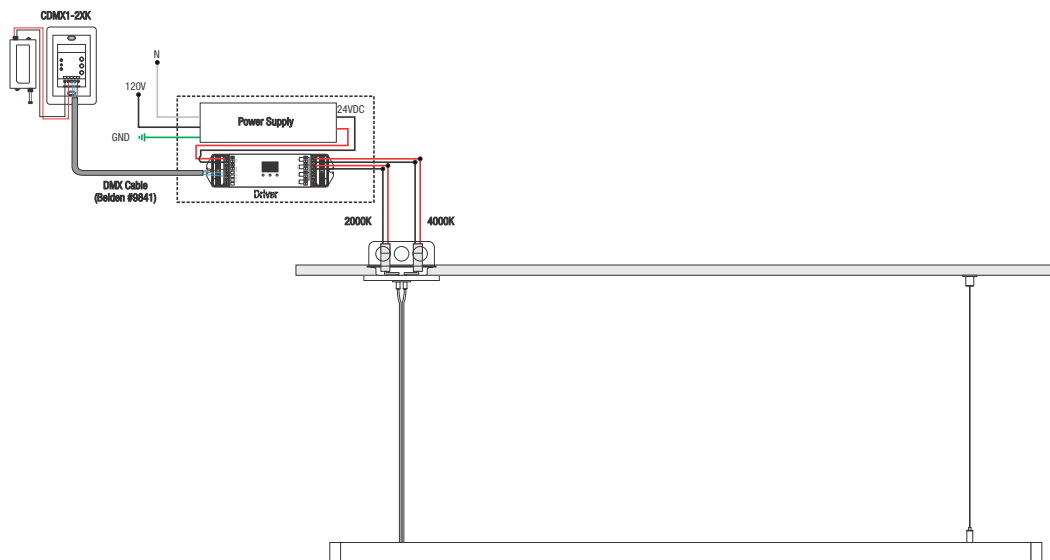
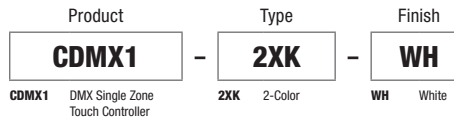
- PSB-100W-24VDC-2XK 100W output, 120-277V Input
- PSB-2X100W-24VDC-2XK 2x100W output, 120-277V Input
- PSB-3X100W-24VDC-2XK 3x100W output, 120-277V Input
- PSB-4X100W-24VDC-2XK 4x100W output, 120-277V Input

Output Signal:

USITT DMX 512 (1990)



side view jbox



PROJECT		FIXTURE TYPE		DATE	
---------	--	--------------	--	------	--










NOVA SUSPENSION DOWNLIGHT WITH REMOTE POWER

REV.01.17.18

DESIGNED BY GREGORY KAY | ASSEMBLED IN AMERICA

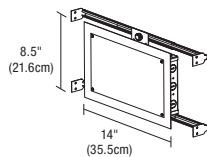
Required Components: 24VDC DMX 2XK Tunable White Compatible Power Supplies

DYNAMIC COLOR CHANGING (DMX) POWER SUPPLIES & RECOMMENDED CONTROLLERS†				
ORDERING CODES	PSB-100W-24VDC-2XK 	PSB-2X100W-24VDC-2XK 	PSB-3X100W-24VDC-2XK 	PSB-4X100W-24VDC-2XK 
SPECIFICATIONS				
MAXIMUM LOAD	100W	2X100W	3X100W	4X100W
INPUT VOLTAGE	120-277VAC	120-277VAC	120-277VAC	120-277VAC
OUTPUT VOLTAGE	24VDC	24VDC	24VDC	24VDC
DIMENSIONS	12.14" X 6.48" X 2.18"	14" X 10" X 3"	17" X 13" X 3"	17" X 13" X 3"
CLASSIFICATION	CLASS 2	CLASS 2	CLASS 2	CLASS 2
IN WALL MOUNTING	PSB-100W-24VDC-2XK-IW	N/A	N/A	N/A
DIMMING AND CONTROLS				
TOUCH SCREEN CONTROLLER (CTP)	•	•	•	•
COLOR DIAL CONTROLLER (CDP)	•	•	•	•
DMX 1 ZONE RGBW TOUCH CONTROLLER (CDMX1-RGBW)	•	•	•	•
TUNABLE WHITE TOUCH CONTROLLER (CDMX1-2XK)	•	•	•	•

DYNAMIC COLOR CHANGING (DMX) POWER SUPPLIES & RECOMMENDED CONTROLLERS†			
ORDERING CODES	PSB-200W-24VDC-2XK 	PSB-400W-24VDC-2XK 	PSB-100W-24VDC-DALI 
SPECIFICATIONS			
MAXIMUM LOAD	200W	400W	100W
INPUT VOLTAGE	120-240VAC	120-240VAC	120-277VAC
OUTPUT VOLTAGE	24VDC	24VDC	24VDC
DIMENSIONS	12" X 8" X 4.3"	12" X 8" X 6.5"	12.14" X 6.48" X 2.18"
CLASSIFICATION	UL2108*	UL2108*	UL2108*
IN WALL MOUNTING	N/A	N/A	PSB-100W-24VDC-DALI-IW
DIMMING AND CONTROLS			
TOUCH SCREEN CONTROLLER (CTP)	•	•	•
COLOR DIAL CONTROLLER (CDP)	•	•	•
DMX 1 ZONE RGBW TOUCH CONTROLLER (CDMX1-RGBW)	•	•	•
TUNABLE WHITE TOUCH CONTROLLER (CDMX1-2XK)	•	•	•
DALI COMPATIBLE	•	•	•

†24K - 57K color temperatures are compatible with 0-10V, ELV, and Lutron Hi-lume® Power Supplies. Warm Dim (27D, 30D) color temperatures are only compatible with ELV power supplies. Tunable White (2K4K) color temperature is compatible with 0-10V, ELV, DMX, and Lutron Hi-lume® Power Supplies. Dynamic Color (RGB) and Static Color (Blue, Green, or Red) are compatible with DMX Power Supplies.

*Classification: UL2108 - *24VDC over 100 watts, wires must be in conduit from Remote Power Supply to JBOX.



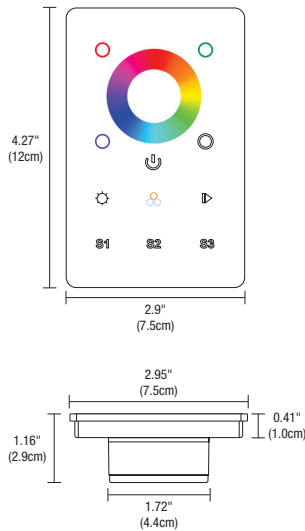
8.5 x 14 inch In-Wall Mounting Kit: Includes power supply, box cover and stud hangers for installing Junction Box in wall. Select "IW" in the options section of compatible power supply ordering codes if an In-Wall Mounting Kit is needed.

Ordering Codes: PSB-100W-24VDC-2XK-IW, PSB-100W-24VDC-2XK-IW

PROJECT	FIXTURE TYPE	DATE
---------	--------------	------

DMX 1 ZONE RGBW TOUCH CONTROLLER

REV.01.17.18



Description:

Full touch controller offers fast and accurate color tone adjustment and independent brightness control. The 1 zone controller can adjust RGB and RGBW LEDs smoothly and accurately. Independent smooth dimming of each channel enables the controller to achieve millions of colors. For indoor applications only, and includes a Power Adapter to operate the controller.

Applications:

Indoor

Installation:

Fits in a single gang junction box, not to be used with a multi gang box

Power Input:

120-277VAC

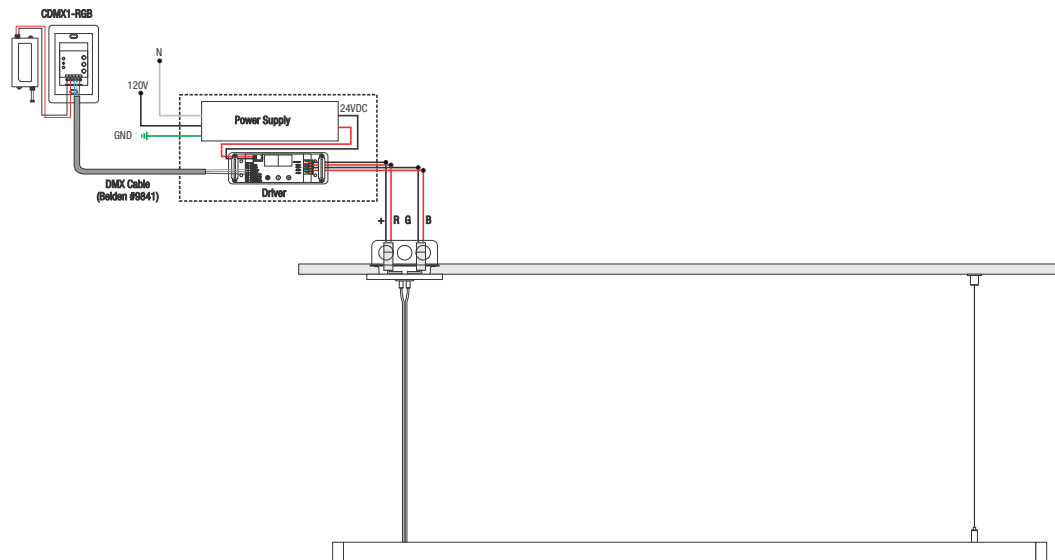
Compatible Power Supplies (Sold Separately):

- PSB-100W-24VDC-RGB 100W output, 120-277V Input
- PSB-200W-24VDC-RGB 100W output, 120-277V Input
- PSB-400W-24VDC-RGB 100W output, 120-277V Input
- PSB-2X100W-24VDC-RGB 2x100W output, 120-277V Input
- PSB-3X100W-24VDC-RGB 3x100W output, 120-277V Input
- PSB-4X100W-24VDC-RGB 4x100W output, 120-277V Input

Output Signal:

USITT DMX 512 (1990)

Product	Type	Finish
CDMX1	RGBW	WH
CDMX1 DMX 1 Zone Touch Controller	RGBW RGB & RGBW	WH White



PROJECT	FIXTURE TYPE	DATE
---------	--------------	------











NOVA SUSPENSION DOWNLIGHT WITH REMOTE POWER

REV.01.17.18

DESIGNED BY GREGORY KAY | ASSEMBLED IN AMERICA

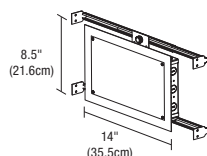
Required Components: 24VDC DMX RGB Compatible Power Supplies

DYNAMIC COLOR CHANGING (DMX) POWER SUPPLIES & RECOMMENDED CONTROLLERS†					
ORDERING CODES	PS-25W-24VDC	PSB-100W-24VDC-RGB	PSB-2X100W-24VDC-RGB	PSB-3X100W-24VDC-RGB	PSB-4X100W-24VDC-RGB
					
SPECIFICATIONS					
MAXIMUM LOAD	25W	100W	2X100W	3X100W	4X100W
INPUT VOLTAGE	100-277VAC	120-277VAC	120-277VAC	120-277VAC	120-277VAC
OUTPUT VOLTAGE	24VDC	24VDC	24VDC	24VDC	24VDC
DIMENSIONS	5.25" X 1.57" X 1.2"	12.14" X 6.48" X 2.18"	14" X 10" X 3"	17" X 13" X 3"	17" X 13" X 3"
CLASSIFICATION	CLASS 2	CLASS 2	CLASS 2	CLASS 2	CLASS 2
IN WALL MOUNTING	N/A	PSB-100W-24VDC-RGB-IW	N/A	N/A	N/A
DIMMING AND CONTROLS					
TOUCH SCREEN CONTROLLER (CTP)	N/A	•	•	•	•
COLOR DIAL CONTROLLER (CDP)	N/A	•	•	•	•
DMX 1 ZONE RGBW TOUCH CONTROLLER (CDMX1-RGBW)	N/A	•	•	•	•
TUNABLE WHITE TOUCH CONTROLLER (CDMX1-2XK)	N/A	•	•	•	•

DYNAMIC COLOR CHANGING (DMX) POWER SUPPLIES & RECOMMENDED CONTROLLERS†			
ORDERING CODES	PSB-200W-24VDC-RGB	PSB-400W-24VDC-RGB	PSB-100W-24VDC-DALI
			
SPECIFICATIONS			
MAXIMUM LOAD	200W	400W	100W
INPUT VOLTAGE	120-240VAC	120-240VAC	120-277VAC
OUTPUT VOLTAGE	24VDC	24VDC	24VDC
DIMENSIONS	12" X 8" X 4.3"	12" X 8" X 6.5"	12.14" X 6.48" X 2.18"
CLASSIFICATION	UL2108*	UL2108*	UL2108*
IN WALL MOUNTING	N/A	N/A	PSB-100W-24VDC-DALI-IW
DIMMING AND CONTROLS			
TOUCH SCREEN CONTROLLER (CTP)	•	•	•
COLOR DIAL CONTROLLER (CDP)	•	•	•
DMX 1 ZONE RGBW TOUCH CONTROLLER (CDMX1-RGBW)	•	•	•
TUNABLE WHITE TOUCH CONTROLLER (CDMX1-2XK)	•	•	•
DALI COMPATIBLE	•	•	•

†24K - 57K color temperatures are compatible with 0-10V, ELV, and Lutron Hi-lume® Power Supplies. Warm Dim (27D, 30D) color temperatures are only compatible with ELV power supplies. Tunable White (2K4K) color temperature is compatible with 0-10V, ELV, DMX, and Lutron Hi-lume® Power Supplies. Dynamic Color (RGB) and Static Color (Blue, Green, or Red) are compatible with DMX Power Supplies.

*Classification: UL2108 - *24VDC over 100 watts, wires must be in conduit from Remote Power Supply to JBOX.



8.5 x 14 inch In-Wall Mounting Kit: Includes power supply, box cover and stud hangers for installing Junction Box in wall. Select "IW" in the options section of compatible power supply ordering codes if an In-Wall Mounting Kit is needed.

Ordering Codes: PSB-100W-24VDC-RGB-IW, PSB-100W-24VDC-RGB-IW

PROJECT		FIXTURE TYPE		DATE	
---------	--	--------------	--	------	--



NOVA SUSPENSION DOWNLIGHT WITH REMOTE POWER

REV.01.17.18

DESIGNED BY GREGORY KAY | ASSEMBLED IN AMERICA

Length Chart: Actual lengths for Nova Suspension Downlight - Remote Power Supply

22K, 27K, 30K, 35K, 40K, 57K, 2K4K & RGB

ORDERING CODE (NOMINAL SIZE)	ACTUAL LENGTH (INCHES)	ACTUAL LENGTH (CHROME)	ORDERING CODE (NOMINAL SIZE)	ACTUAL LENGTH (INCHES)	ACTUAL LENGTH (CHROME)	ORDERING CODE (NOMINAL SIZE)	ACTUAL LENGTH (INCHES)	ACTUAL LENGTH (CHROME)
12	13.3	13.3	171	172.1	172.5	329	331	331.4
15	15.7	15.7	173	174.5	174.9	332	333.4	333.8
17	18.1	18.1	176	176.9	177.3	334	335.8	336.2
20	20.5	20.5	178	179.3	179.7	336	338.2	338.6
22	22.9	22.9	180	181.7	182.1	339	340.6	341.4
24	25.3	25.3	183	184.1	184.5	341	343	343.8
27	27.7	27.7	185	186.5	186.9	344	345.4	346.2
29	30.1	30.1	188	188.9	189.3	346	347.7	348.6
32	32.5	32.5	190	191.3	191.7	348	350.1	351
34	34.9	34.9	192	193.7	194.1	351	352.5	353.4
36	37.3	37.3	195	196.1	196.5	353	354.9	355.7
39	39.7	39.7	197	198.5	198.9	356	357.3	358.1
41	42.1	42.1	200	200.9	201.3	358	359.7	360.5
44	44.5	44.5	202	203.3	203.7	360	362.1	362.9
46	46.9	46.9	204	205.7	206.1	363	364.9	365.3
48	49.3	49.3	207	208.1	208.5	365	367.3	367.7
51	51.7	51.7	209	210.5	210.9	368	369.7	370.1
53	54.1	54.1	212	212.9	213.3	370	372.1	372.5
56	56.5	56.5	214	215.3	215.7	372	374.5	374.9
58	58.9	58.9	216	217.7	218.1	375	376.9	377.3
60	61.3	61.3	219	220.1	220.5	377	379.3	379.7
63	63.7	63.7	221	222.5	222.9	380	381.7	382.1
65	66.1	66.1	224	224.9	225.3	382	384.1	384.5
68	68.5	68.5	226	227.3	227.7	384	386.5	386.9
70	70.9	70.9	228	229.7	230.1	387	388.9	389.3
72	73.3	73.3	231	232.1	232.5	389	391.3	391.7
75	75.7	75.7	233	234.5	234.9	392	393.7	394.1
77	78.1	78.1	236	236.9	237.3	394	396.1	396.5
80	80.5	80.5	238	239.3	239.7	396	398.5	398.9
82	82.9	82.9	240 - 2K4K & RGB max	241.7	242.1	399	400.9	401.3
84	85.3	85.3	243	244.6	244.6	401	403.3	403.7
87	87.7	88.1	245	247	247	404	405.7	406.1
89	90.1	90.5	248	249.4	249.4	406	408.1	408.5
92	92.5	92.9	250	251.8	251.8	408	410.5	410.9
94	94.9	95.3	252	254.2	254.2	411	412.9	413.3
96	97.3	97.7	255	256.6	257	413	415.3	415.7
99	99.7	100.1	257	259	259.4	416	417.7	418.1
101	102.1	102.5	260	261.4	261.8	418	420.1	420.5
104	104.5	104.9	262	263.8	264.2	420	422.5	422.9
106	106.9	107.3	264	266.2	266.6			
108	109.3	109.7	267	268.6	269			
111	111.7	112.1	269	271	271.4			
113	114.1	114.5	272	273.4	273.8			
116	116.5	116.9	274	275.8	276.2			
118	118.9	119.3	276	278.2	278.6			
120	121.3	121.7	279	280.6	281			
123	124.1	124.1	281	283	283.4			
125	126.5	126.5	284	285.8	285.8			
128	128.9	128.9	286	287.8	288.2			
130	131.3	131.3	288	290.2	290.6			
132	133.7	133.7	291	293.6	293			
135	136.1	136.1	293	295	295.4			
137	138.5	138.5	296	297.4	297.8			
140	140.9	140.9	298	299.8	300.2			
142	143.3	143.3	300	302.2	302.6			
144	145.7	145.7	303	304.6	305			
147	148.1	148.1	305	307	307.4			
149	150.5	150.5	308	309.8	309.8			
152	152.9	152.9	310	311.8	312.2			
154	155.3	155.3	312	314.2	314.6			
156	157.7	157.7	315	316.6	317			
159	160.1	160.1	317	319	319.4			
161	162.5	162.5	320	321.4	321.8			
164	164.9	164.9	322	323.8	324.2			
166	167.3	167.3	324	326.2	326.6			
168	169.7	169.7	327	328.6	329			

PROJECT		FIXTURE TYPE		DATE	
---------	--	--------------	--	------	--



NOVA SUSPENSION DOWNLIGHT WITH REMOTE POWER

REV.01.17.18

DESIGNED BY GREGORY KAY | ASSEMBLED IN AMERICA

Length Chart: Actual lengths for Nova Suspension Downlight with Power - End Feed

27D & 30D					
ORDERING CODE (NOMINAL SIZE)	ACTUAL LENGTH (INCHES)	ACTUAL LENGTH (CHROME)	ORDERING CODE (NOMINAL SIZE)	ACTUAL LENGTH (INCHES)	ACTUAL LENGTH (CHROME)
12	13.4	13.4	129	130.8	130.8
15	16.4	16.4	132	133.8	133.8
18	19.4	19.4	135	136.8	136.8
21	22.4	22.4	138	139.8	139.8
24	25.4	25.4	141	142.8	142.8
27	28.4	28.4	144	145.8	145.8
30	31.4	31.4	147	148.8	148.8
33	34.4	34.4	150	151.8	151.8
36	37.4	37.4	153	154.8	154.8
39	40.4	40.4	156	157.8	157.8
42	43.4	43.4	159	160.8	160.8
45	46.4	46.4	162	163.8	163.8
48	49.4	49.4	165	166.8	166.8
51	52.4	52.4	168	169.8	169.8
54	55.4	55.4	171	172.8	173.2
57	58.4	58.4	174	175.8	176.2
60	61.4	61.4	177	178.8	179.2
63	64.4	64.4	180	181.8	182.2
66	67.4	67.4	183	184.8	185.2
69	70.4	70.4	186	187.8	188.2
72	73.4	73.4	189	190.8	191.2
75	76.4	76.4	192	193.8	194.2
78	79.4	79.4	195	196.8	197.2
81	82.4	82.4	198	199.8	200.2
84	85.4	85.4	201	202.8	203.2
87	88.4	88.8	204	205.8	206.2
90	91.4	91.8	207	208.8	209.2
93	94.4	94.8	210	211.8	212.2
96	97.4	97.8	213	214.8	215.2
99	100.4	100.8	216	217.8	218.2
102	103.4	103.8	219	220.8	221.2
105	106.4	106.8	222	223.8	224.2
108	109.4	109.8	225	226.8	227.2
111	112.4	112.8	228	229.8	230.2
114	115.4	115.8	231	232.8	233.2
117	118.4	118.8	234	235.8	236.2
120	121.4	121.8	237	238.8	239.2
123	124.8	124.8	240	241.8	242.2
126	127.8	127.8			

PROJECT		FIXTURE TYPE		DATE	
---------	--	--------------	--	------	--

NOVA SUSPENSION DOWNLIGHT WITH REMOTE POWER

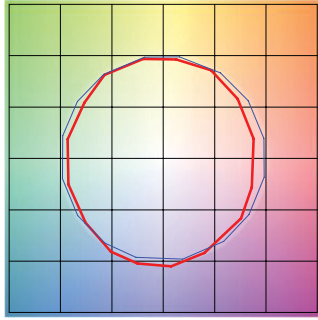
REV.01.17.18

DESIGNED BY GREGORY KAY | ASSEMBLED IN AMERICA

TM-30-15 DATA: The data below is for SS2C, SS5C, SS7C, and SS10C bare LED Soft Strips. Consistent color temperatures throughout a single strip and among multiple strips is possible through a 3 phase binning process in which each order is inspected with a color meter to ensure uniformity.

2200K | Rf: 83.9 | Rg: 94.9

COLOR VECTOR GRAPHIC

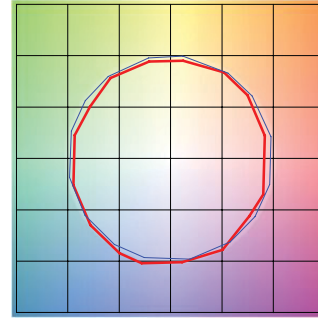


■ Test ■ Reference

HUE BIN	Rf	GRAPHIC SHIFTS %	
		CHROMA	HUE
1	77.6	-10.0%	1.8%
2	80.7	-7.5%	7.0%
3	79.5	-2.9%	8.9%
4	90.5	-3.1%	2.4%
5	93.9	-1.3%	1.9%
6	91.9	-0.9%	-0.2%
7	87.6	-6.3%	-2.7%
8	90.5	-5.4%	2.7%
9	83.8	-4.7%	6.5%
10	81.2	-2.5%	10.0%
11	83.3	3.9%	9.4%
12	86.4	5.6%	2.6%
13	86.2	4.5%	-12.4%
14	64.3	-1.0%	-21.9%
15	85.1	-4.4%	-7.5%
16	75.0	-9.9%	-12.0%

2700K | Rf: 87.7 | Rg: 96.1

COLOR VECTOR GRAPHIC

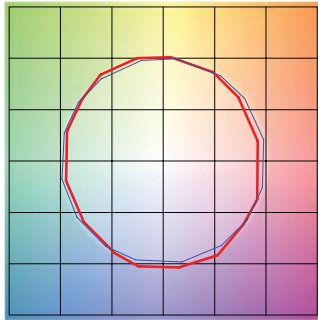


■ Test ■ Reference

HUE BIN	Rf	GRAPHIC SHIFTS %	
		CHROMA	HUE
1	86.4	-5.6%	2.3%
2	89.7	-3.3%	3.1%
3	90.5	-1.5%	3.8%
4	90.0	-4.3%	1.1%
5	92.9	-3.7%	0.2%
6	93.5	-2.5%	-0.8%
7	86.3	-7.2%	2.5%
8	90.7	-4.0%	3.2%
9	85.2	-2.4%	8.1%
10	81.7	0.9%	10.8%
11	85.4	4.5%	8.9%
12	88.7	5.7%	-1.4%
13	88.3	1.3%	-7.9%
14	85.1	2.4%	-10.4%
15	88.1	-4.8%	-2.7%
16	81.7	-4.3%	-10.9%

3000K | Rf: 88.1 | Rg: 99.7

COLOR VECTOR GRAPHIC

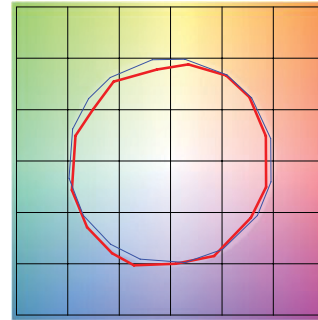


■ Test ■ Reference

HUE BIN	Rf	GRAPHIC SHIFTS %	
		CHROMA	HUE
1	87.7	-5.9%	-0.3%
2	87.9	-4.4%	4.3%
3	82.9	-1.2%	7.9%
4	89.9	0.6%	4.7%
5	92.7	3.0%	3.5%
6	92.7	3.6%	-1.7%
7	90.8	-1.3%	-4.4%
8	93.7	-2.5%	-2.2%
9	91.7	-3.7%	2.3%
10	85.5	-2.8%	7.8%
11	83.3	0.7%	11.0%
12	86.4	5.5%	3.8%
13	90.6	4.6%	-3.6%
14	85.6	5.9%	-8.4%
15	89.5	-0.6%	-5.7%
16	82.6	-2.7%	-12.0%

3500K | Rf: 86.1 | Rg: 95.5

COLOR VECTOR GRAPHIC

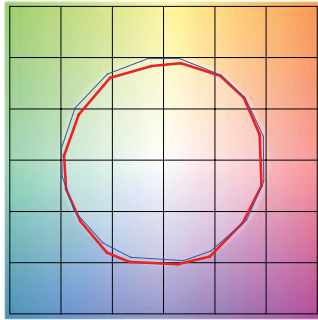


■ Test ■ Reference

HUE BIN	Rf	GRAPHIC SHIFTS %	
		CHROMA	HUE
1	86.6	-4.2%	3.4%
2	91.7	-1.4%	1.8%
3	94.9	-0.7%	0.4%
4	87.9	-4.5%	-4.1%
5	85.9	-10.3%	-2.7%
6	89.8	-5.2%	-0.4%
7	79.6	-9.5%	6.5%
8	87.6	-4.0%	5.7%
9	81.4	-0.5%	11.8%
10	78.3	3.3%	11.4%
11	85.7	6.3%	6.1%
12	86.3	7.1%	-4.6%
13	86.1	-0.7%	-9.6%
14	85.1	0.8%	-10.4%
15	83.4	-4.1%	-5.3%
16	82.5	-3.6%	-5.7%

4000K | Rf: 87.6 | Rg: 96.8

COLOR VECTOR GRAPHIC

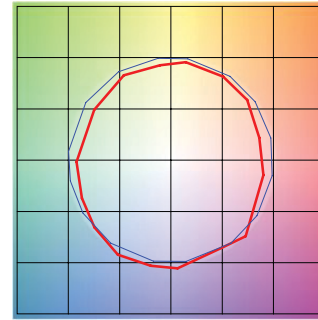


■ Test ■ Reference

HUE BIN	Rf	GRAPHIC SHIFTS %	
		CHROMA	HUE
1	89.0	-3.1%	2.1%
2	93.2	-0.9%	1.3%
3	94.3	-1.1%	0.7%
4	89.5	-4.0%	-2.3%
5	87.6	-7.8%	-1.8%
6	92.2	-4.6%	0.1%
7	87.4	-6.6%	3.6%
8	85.7	-3.8%	7.0%
9	81.5	-1.3%	12.4%
10	80.0	0.9%	11.4%
11	83.3	5.9%	8.7%
12	89.7	4.8%	-0.3%
13	88.5	2.4%	-6.3%
14	92.7	4.0%	-3.8%
15	86.1	-1.6%	-4.5%
16	85.0	-1.4%	-5.0%

5700K | Rf: 80.3 | Rg: 91.5

COLOR VECTOR GRAPHIC



■ Test ■ Reference

HUE BIN	Rf	GRAPHIC SHIFTS %	
		CHROMA	HUE
1	73.8	-11.2%	2.6%
2	83.7	-5.5%	5.8%
3	84.2	-4.0%	5.5%
4	85.8	-3.5%	1.3%
5	85.3	-7.1%	0.6%
6	89.2	-5.8%	-2.2%
7	81.5	-10.7%	1.2%
8	75.7	-9.7%	8.5%
9	74.9	-7.8%	18.8%
10	67.8	-1.6%	18.0%
11	76.1	5.5%	12.0%
12	90.8	4.9%	-1.6%
13	83.6	5.0%	-9.5%
14	81.7	-1.2%	-10.0%
15	69.0	2.0%	-22.8%
16	83.2	-8.5%	-1.0%

PROJECT	FIXTURE TYPE	DATE
---------	--------------	------

NOVA SUSPENSION DOWNLIGHT WITH REMOTE POWER

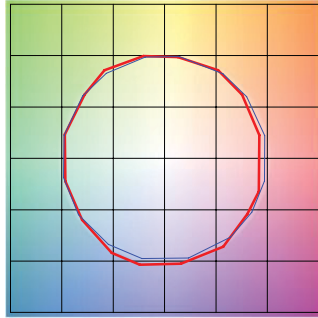
REV.01.17.18

DESIGNED BY GREGORY KAY | ASSEMBLED IN AMERICA

TM-30-15 DATA: The data below is for SS2C, SS5C, SS7C, and SS10C bare LED Soft Strips. Consistent color temperatures throughout a single strip and among multiple strips is possible through a 3 phase binning process in which each order is inspected with a color meter to ensure uniformity.

2700D | Rf: 89.5 | Rg: 100.8

COLOR VECTOR GRAPHIC

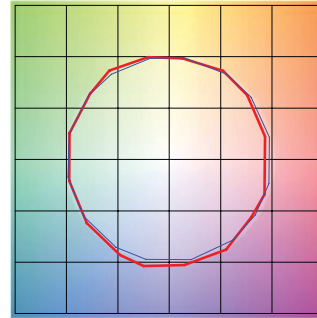


■ Test ■ Reference

HUE BIN	Rf	GRAPHIC SHIFTS %	
		CHROMA	HUE
1	88.8	-5.1%	1.4%
2	89.8	-2.7%	4.1%
3	87.2	0.3%	5.9%
4	92.3	-0.9%	1.0%
5	93.3	1.5%	1.7%
6	92.4	3.6%	-0.2%
7	92.2	-0.9%	-2.4%
8	96.7	-0.4%	-1.1%
9	92.3	-1.2%	3.7%
10	88.9	-0.0%	6.1%
11	86.4	5.1%	7.4%
12	88.2	6.3%	-0.9%
13	87.2	3.8%	-8.1%
14	84.2	3.8%	-11.0%
15	89.8	-2.6%	-4.3%
16	82.7	-3.4%	-11.1%

3000D | Rf: 89.8 | Rg: 101.4

COLOR VECTOR GRAPHIC

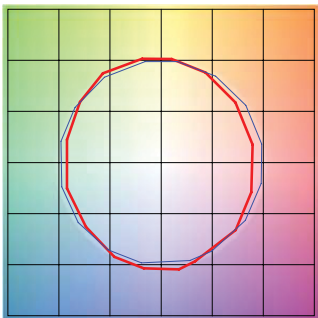


■ Test ■ Reference

HUE BIN	Rf	GRAPHIC SHIFTS %	
		CHROMA	HUE
1	90.2	-4.2%	1.5%
2	90.9	-2.0%	3.7%
3	87.9	0.8%	5.5%
4	92.1	-0.9%	0.6%
5	93.0	1.5%	1.6%
6	92.2	3.9%	-0.2%
7	92.1	-0.3%	-2.0%
8	96.7	0.0%	-1.2%
9	92.5	-0.6%	3.7%
10	88.3	1.1%	7.0%
11	87.2	4.1%	7.4%
12	87.2	6.7%	-1.0%
13	88.2	3.8%	-7.2%
14	85.3	4.3%	-9.9%
15	90.9	-2.2%	-3.6%
16	83.4	-2.2%	-11.2%

2000K only (2K4K) | Rf: 84.8 | Rg: 97.9

COLOR VECTOR GRAPHIC

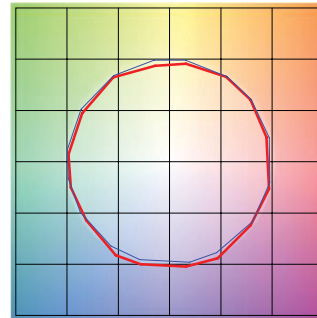


■ Test ■ Reference

HUE BIN	Rf	GRAPHIC SHIFTS %	
		CHROMA	HUE
1	81.1	-8.7%	1.2%
2	79.8	-6.9%	7.9%
3	78.5	-2.6%	10.3
4	88.9	1.3%	6.2%
5	94.7	3.2%	2.2%
6	91.4	4.1%	-0.7%
7	88.1	-1.1%	-7.1%
8	90.3	-5.4%	-2.6%
9	88.3	-4.8%	2.6%
10	84.1	-3.8%	7.7%
11	84.8	2.3%	8.8%
12	86.2	4.8%	3.4%
13	86.0	6.4%	-12.2%
14	62.1	-1.0%	-18.9%
15	79.8	-2.7%	-13.1%
16	79.1	-7.8%	-10.4%

4000K only (2K4K) | Rf: 89.6 | Rg: 99.1

COLOR VECTOR GRAPHIC

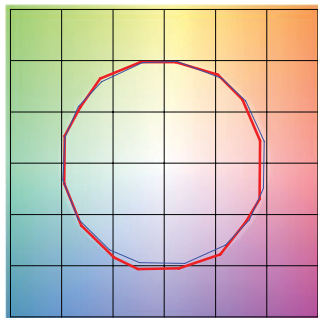


■ Test ■ Reference

HUE BIN	Rf	GRAPHIC SHIFTS %	
		CHROMA	HUE
1	91.3	-2.5%	1.0%
2	95.3	-0.5%	0.5%
3	94.3	-0.7%	1.1%
4	91.1	-3.4%	-1.1%
5	89.5	-5.6%	0.0%
6	94.6	-1.4%	1.3%
7	93.2	-3.0%	2.6%
8	91.3	-1.8%	4.6%
9	86.5	-0.9%	9.1%
10	83.3	-0.5%	9.5%
11	83.3	4.9%	9.0%
12	89.7	4.1%	1.7%
13	90.1	3.6%	-4.3%
14	93.4	5.2%	-2.1%
15	87.4	0.4%	-4.3%
16	86.6	0.4%	-6.1%

2K4K (3000K) | Rf: 90.2 | Rg: 101.4

COLOR VECTOR GRAPHIC



■ Test ■ Reference

HUE BIN	Rf	GRAPHIC SHIFTS %	
		CHROMA	HUE
1	90.9	-3.8%	1.3%
2	91.7	-1.9%	3.3%
3	88.7	0.7%	5.1%
4	92.4	-1.0%	0.7%
5	92.9	0.9%	1.7%
6	93.1	3.3%	-0.6%
7	91.0	-1.8%	-0.4%
8	97.0	0.2%	-1.1%
9	92.8	-0.5%	3.6%
10	88.3	1.0%	7.0%
11	87.1	3.8%	7.8%
12	87.6	6.5%	-0.3%
13	89.3	3.6%	-6.3%
14	86.1	4.5%	-9.1%
15	91.6	-1.9%	-3.1%
16	83.8	-1.5%	-11.2%

PROJECT		FIXTURE TYPE		DATE	
---------	--	--------------	--	------	--