

### Out-Rigger Power Feed

Monorail Out-Rigger Power Feed mounts to a standard 4" electrical box with plaster ring or an octagon box. The field-cuttable Out-Rigger cantilevers the rail up to 36" (91cm) from wall. Use with Out-Rigger standoffs and Remote Transformers Satin nickel, polished nickel or antique bronze finish.

#### Weight:

.95 lb (.43 kg)

System	Canopy	Type	Finish
<b>MP</b>	<b>4RD</b>	<b>OUT</b>	<b>SN</b>
<small>MP Monorail Power Feed</small>	<small>4RD 4.3" (10.9cm) Round</small>	<small>OUT Out-Rigger</small>	<small>SN Satin Nickel PN Polished Nickel BZ Antique Bronze</small>

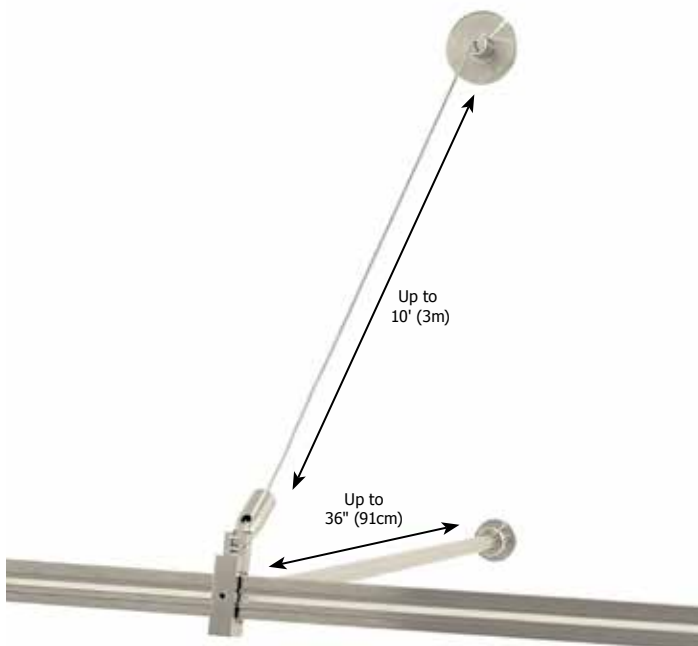
### Out-Rigger Standoff

The field-cuttable Out-Rigger standoff supports the Monorail up to 36" (91cm) from wall. Use an Out-Rigger Standoff approximately every 3' and at rail joints. Use with Out-Rigger Power Feed. Satin nickel, polished nickel or antique bronze finish.

#### Weight:

.95 lb (.43 kg)

System	Type	Finish
<b>MS</b>	<b>OUT</b>	<b>SN</b>
<small>MS Monorail Standoff</small>	<small>OUT Out-Rigger</small>	<small>SN Satin Nickel PN Polished Nickel BZ Antique Bronze</small>



PROJECT:

FIXTURE  
TYPE:

DATE:

