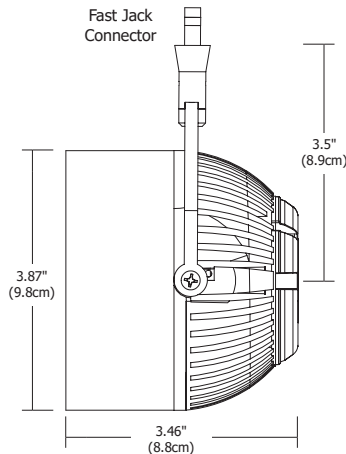


ATLAS LED - FAST JACK FIXTURE HEAD

REV 12.05.17
Compatible System Connectors

DESIGNED BY GREGORY KAY | ASSEMBLED IN AMERICA



Description:

Atlas **LED** presents a high level of accent lighting for retail displays, galleries/ museums or offices. Providing uniform illumination without UV, IR or the use of mercury, the 19 watt **LED** lamp is an energy efficient alternative for a 120 watt PAR 38 Spot or 71 watt MR16 lamp. The cool-to-touch fixture allows manual locking of 360° rotation, 90° tilt, and optical lens orientation. The standard version includes an 8° spot lens; additional versions are also available with 14° soft, 33° wide or 10° x 40° linear lens. Fixture includes 5 year warranty.

System Compatibility:

Use Fast Jack connector for ordering **LED** canopy.

Finish:

White

Lamp Specification:

70% lumen maintenance based on 50,000 hours of operation

BEAM SPREAD	LUMENS	WATTS	EQUIVALENT TO HALOGEN PAR38	LUMENS PER WATT	CBCP	COLOR TEMP (K)	CRI
8 degrees	664	19.2	112 Watt	33	21,617	3,116	85
14 degrees	607	19.2	65 Watt	31	6,198	3,116	85
33 degrees	598	19.2	77 Watt	31	1,800	3,116	85

Dimming Information:

Dimmable with Lutron Skylark or Diva and with Lightolier Sunrise low voltage dimmers. For additional details, see Atlas Dimming Chart at www.edgelighting.com

Optical Accessories:

L30 Lenses: Wide or Linear Spread, Color Lens with UV Filter, Hexcell Louver or Snoot #ST30

Weight:

2 lb (.9 kg)

LED lighting facts
A Program of the U.S. DOE

Light Output (Lumens)	664
Watts	19.2
Lumens per Watt (Efficacy)	34
Color Accuracy Color Rendering Index (CRI)	85

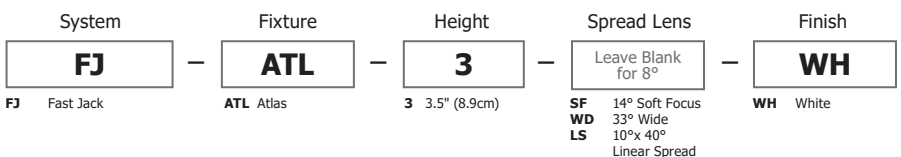
Light Color
Correlated Color Temperature (CCT) **3116 (Bright White)**

Warm White 2700K | Bright White 3000K | Daylight 4500K | 6500K

All results are according to IESNA LM-79-2008: Approved Method for the Electrical and Photometric Testing of Solid-State Lighting. The U.S. Department of Energy (DOE) verifies product test data and results.

Visit www.lightingfacts.com for the Label Reference Guide.

Registration Number: WS46-CY6PSN (Revised 8/16/2011)
Model Number: FJ-ATL-**-
Type: Other



PROJECT	FIXTURE TYPE	DATE	
---------	--------------	------	--

ATLAS LED - FAST JACK FIXTURE HEAD

REV 12.05.17
Compatible System Connectors

DESIGNED BY GREGORY KAY | ASSEMBLED IN AMERICA



Efficacy
34.6 Lm/W
Beam Angle (50%)
8°
CBCP
21,617

Wattage
19.2 watt LED
Luminous Diameter
3.87
Rated Life
50,000 Hrs.

Efficacy
31.6 Lm/W
Beam Angle (50%)
14°
CBCP
6,198

Wattage
19.2 watt LED
Luminous Diameter
3.87
Rated Life
50,000 Hrs.

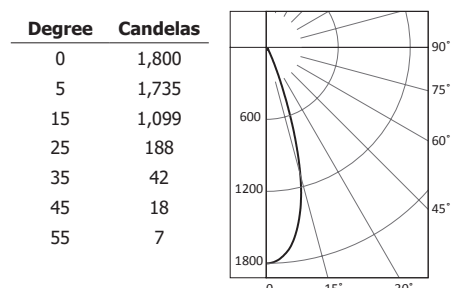
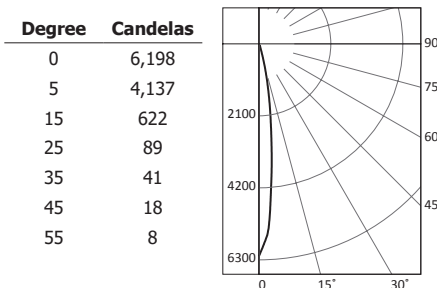
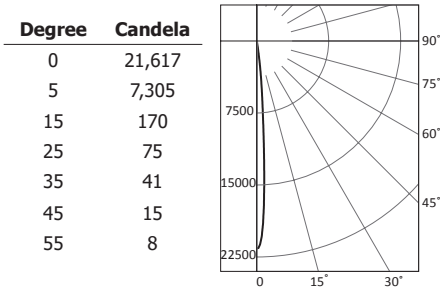
Efficacy
31.0 Lm/W
Beam Angle (50%)
33°
CBCP
1,800

Wattage
19.2 watt LED
Luminous Diameter
3.87
Rated Life
50,000 Hrs.

ATLAS 19.2 watt 8° = PAR 38 112 watt halogen

ATLAS 19.2 watt 14° = MR16 71 watt halogen

ATLAS 19.2 watt 33° = PAR 38 77 watt halogen



	0° Aiming Angle Horizontal Foot Candles	30° Aiming Angle Vertical Foot Candles	45° Aiming Angle Vertical Foot Candles																																																																	
ATLAS 8 DEGREE	<table border="1"> <thead> <tr><th>D</th><th>FC</th><th>DIA.</th></tr> </thead> <tbody> <tr><td>4'</td><td>1,351</td><td>7"</td></tr> <tr><td>6'</td><td>600</td><td>10"</td></tr> <tr><td>8'</td><td>338</td><td>1.1'</td></tr> <tr><td>10'</td><td>216</td><td>1.4'</td></tr> </tbody> </table>	D	FC	DIA.	4'	1,351	7"	6'	600	10"	8'	338	1.1'	10'	216	1.4'	<table border="1"> <thead> <tr><th>L</th><th>W</th></tr> </thead> <tbody> <tr><td>7"</td><td>3"</td></tr> <tr><td>1.1'</td><td>7"</td></tr> <tr><td>1.8'</td><td>10"</td></tr> <tr><td>2.2'</td><td>14"</td></tr> </tbody> </table> <table border="1"> <thead> <tr><th>D</th><th>C</th><th>FC</th></tr> </thead> <tbody> <tr><td>1'</td><td>1.8'</td><td>2,702</td></tr> <tr><td>2'</td><td>3.5'</td><td>676</td></tr> <tr><td>3'</td><td>5.1'</td><td>300</td></tr> <tr><td>4'</td><td>7.0'</td><td>169</td></tr> </tbody> </table>	L	W	7"	3"	1.1'	7"	1.8'	10"	2.2'	14"	D	C	FC	1'	1.8'	2,702	2'	3.5'	676	3'	5.1'	300	4'	7.0'	169	<table border="1"> <thead> <tr><th>L</th><th>W</th></tr> </thead> <tbody> <tr><td>10"</td><td>7"</td></tr> <tr><td>1.1'</td><td>9.4'</td></tr> <tr><td>1.4'</td><td>1.0'</td></tr> <tr><td>1.7'</td><td>1.1'</td></tr> </tbody> </table> <table border="1"> <thead> <tr><th>D</th><th>C</th><th>FC</th></tr> </thead> <tbody> <tr><td>3'</td><td>3'</td><td>870</td></tr> <tr><td>4'</td><td>4'</td><td>472</td></tr> <tr><td>5'</td><td>5'</td><td>313</td></tr> <tr><td>6'</td><td>6'</td><td>212</td></tr> </tbody> </table>	L	W	10"	7"	1.1'	9.4'	1.4'	1.0'	1.7'	1.1'	D	C	FC	3'	3'	870	4'	4'	472	5'	5'	313	6'	6'	212
D	FC	DIA.																																																																		
4'	1,351	7"																																																																		
6'	600	10"																																																																		
8'	338	1.1'																																																																		
10'	216	1.4'																																																																		
L	W																																																																			
7"	3"																																																																			
1.1'	7"																																																																			
1.8'	10"																																																																			
2.2'	14"																																																																			
D	C	FC																																																																		
1'	1.8'	2,702																																																																		
2'	3.5'	676																																																																		
3'	5.1'	300																																																																		
4'	7.0'	169																																																																		
L	W																																																																			
10"	7"																																																																			
1.1'	9.4'																																																																			
1.4'	1.0'																																																																			
1.7'	1.1'																																																																			
D	C	FC																																																																		
3'	3'	870																																																																		
4'	4'	472																																																																		
5'	5'	313																																																																		
6'	6'	212																																																																		
ATLAS 14 DEGREE	<table border="1"> <thead> <tr><th>D</th><th>FC</th><th>DIA.</th></tr> </thead> <tbody> <tr><td>4'</td><td>454</td><td>1.0'</td></tr> <tr><td>6'</td><td>202</td><td>1.5'</td></tr> <tr><td>8'</td><td>113</td><td>2.0'</td></tr> <tr><td>10'</td><td>73</td><td>2.5'</td></tr> </tbody> </table>	D	FC	DIA.	4'	454	1.0'	6'	202	1.5'	8'	113	2.0'	10'	73	2.5'	<table border="1"> <thead> <tr><th>L</th><th>W</th></tr> </thead> <tbody> <tr><td>1.0'</td><td>6"</td></tr> <tr><td>2.0'</td><td>1.0'</td></tr> <tr><td>3.0'</td><td>1.5'</td></tr> <tr><td>4.2'</td><td>2.0'</td></tr> </tbody> </table> <table border="1"> <thead> <tr><th>D</th><th>C</th><th>FC</th></tr> </thead> <tbody> <tr><td>1'</td><td>1.8'</td><td>908</td></tr> <tr><td>2'</td><td>3.5'</td><td>227</td></tr> <tr><td>3'</td><td>5.1'</td><td>101</td></tr> <tr><td>4'</td><td>7.0'</td><td>57</td></tr> </tbody> </table>	L	W	1.0'	6"	2.0'	1.0'	3.0'	1.5'	4.2'	2.0'	D	C	FC	1'	1.8'	908	2'	3.5'	227	3'	5.1'	101	4'	7.0'	57	<table border="1"> <thead> <tr><th>L</th><th>W</th></tr> </thead> <tbody> <tr><td>1.5'</td><td>1.0'</td></tr> <tr><td>2.0'</td><td>1.4'</td></tr> <tr><td>2.5'</td><td>1.8'</td></tr> <tr><td>3.0'</td><td>2.0'</td></tr> </tbody> </table> <table border="1"> <thead> <tr><th>D</th><th>C</th><th>FC</th></tr> </thead> <tbody> <tr><td>3'</td><td>3'</td><td>292</td></tr> <tr><td>4'</td><td>4'</td><td>159</td></tr> <tr><td>5'</td><td>5'</td><td>105</td></tr> <tr><td>6'</td><td>6'</td><td>71</td></tr> </tbody> </table>	L	W	1.5'	1.0'	2.0'	1.4'	2.5'	1.8'	3.0'	2.0'	D	C	FC	3'	3'	292	4'	4'	159	5'	5'	105	6'	6'	71
D	FC	DIA.																																																																		
4'	454	1.0'																																																																		
6'	202	1.5'																																																																		
8'	113	2.0'																																																																		
10'	73	2.5'																																																																		
L	W																																																																			
1.0'	6"																																																																			
2.0'	1.0'																																																																			
3.0'	1.5'																																																																			
4.2'	2.0'																																																																			
D	C	FC																																																																		
1'	1.8'	908																																																																		
2'	3.5'	227																																																																		
3'	5.1'	101																																																																		
4'	7.0'	57																																																																		
L	W																																																																			
1.5'	1.0'																																																																			
2.0'	1.4'																																																																			
2.5'	1.8'																																																																			
3.0'	2.0'																																																																			
D	C	FC																																																																		
3'	3'	292																																																																		
4'	4'	159																																																																		
5'	5'	105																																																																		
6'	6'	71																																																																		
ATLAS 33 DEGREE	<table border="1"> <thead> <tr><th>D</th><th>FC</th><th>DIA.</th></tr> </thead> <tbody> <tr><td>4'</td><td>113</td><td>2.4'</td></tr> <tr><td>6'</td><td>50</td><td>3.2'</td></tr> <tr><td>8'</td><td>28</td><td>4.3'</td></tr> <tr><td>10'</td><td>18</td><td>5.4'</td></tr> </tbody> </table>	D	FC	DIA.	4'	113	2.4'	6'	50	3.2'	8'	28	4.3'	10'	18	5.4'	<table border="1"> <thead> <tr><th>L</th><th>W</th></tr> </thead> <tbody> <tr><td>2.8'</td><td>1.1'</td></tr> <tr><td>5.5'</td><td>2.1'</td></tr> <tr><td>8.1'</td><td>3.2'</td></tr> <tr><td>11'</td><td>4.3'</td></tr> </tbody> </table> <table border="1"> <thead> <tr><th>D</th><th>C</th><th>FC</th></tr> </thead> <tbody> <tr><td>1'</td><td>1.8'</td><td>225</td></tr> <tr><td>2'</td><td>3.5'</td><td>56</td></tr> <tr><td>3'</td><td>5.1'</td><td>25</td></tr> <tr><td>4'</td><td>7.0'</td><td>14</td></tr> </tbody> </table>	L	W	2.8'	1.1'	5.5'	2.1'	8.1'	3.2'	11'	4.3'	D	C	FC	1'	1.8'	225	2'	3.5'	56	3'	5.1'	25	4'	7.0'	14	<table border="1"> <thead> <tr><th>L</th><th>W</th></tr> </thead> <tbody> <tr><td>3.5'</td><td>2.5'</td></tr> <tr><td>4.7'</td><td>3.3'</td></tr> <tr><td>5.8'</td><td>4.1'</td></tr> <tr><td>7.0'</td><td>5.0'</td></tr> </tbody> </table> <table border="1"> <thead> <tr><th>D</th><th>C</th><th>FC</th></tr> </thead> <tbody> <tr><td>3'</td><td>3'</td><td>72</td></tr> <tr><td>4'</td><td>4'</td><td>39</td></tr> <tr><td>5'</td><td>5'</td><td>26</td></tr> <tr><td>6'</td><td>6'</td><td>18</td></tr> </tbody> </table>	L	W	3.5'	2.5'	4.7'	3.3'	5.8'	4.1'	7.0'	5.0'	D	C	FC	3'	3'	72	4'	4'	39	5'	5'	26	6'	6'	18
D	FC	DIA.																																																																		
4'	113	2.4'																																																																		
6'	50	3.2'																																																																		
8'	28	4.3'																																																																		
10'	18	5.4'																																																																		
L	W																																																																			
2.8'	1.1'																																																																			
5.5'	2.1'																																																																			
8.1'	3.2'																																																																			
11'	4.3'																																																																			
D	C	FC																																																																		
1'	1.8'	225																																																																		
2'	3.5'	56																																																																		
3'	5.1'	25																																																																		
4'	7.0'	14																																																																		
L	W																																																																			
3.5'	2.5'																																																																			
4.7'	3.3'																																																																			
5.8'	4.1'																																																																			
7.0'	5.0'																																																																			
D	C	FC																																																																		
3'	3'	72																																																																		
4'	4'	39																																																																		
5'	5'	26																																																																		
6'	6'	18																																																																		

PROJECT	FIXTURE TYPE	DATE
---------	--------------	------