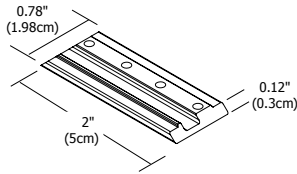


# ACCESSORIES FOR CIRRUS CHANNEL

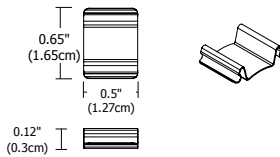
REV.04.22.15



## Straight Connector

Straight Connectors join two sections of Cirrus Channel.

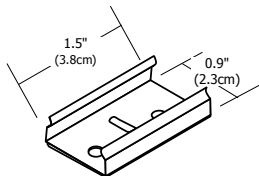
Product	Type
<b>C</b>	<b>SC</b>
C Channel	SC Straight Connector



## Wire Clip

Use Channel Wire Clips to conceal and manage product wires.

Product	Type
<b>C</b>	<b>WC</b>
C Channel	WC Wire Management Clip



C-MCL

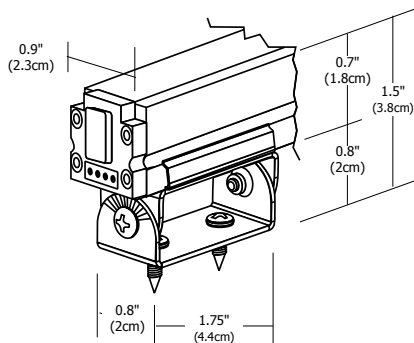
## Channel Mounting Clips

C-MCL Channel Mounting Clips, are provided with every 18" of Cirrus Channel.

C-MCL-075 rotates Cirrus Channel up to 75 degrees.

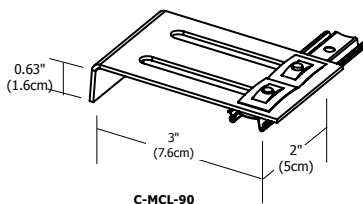
C-MCL-90 mounts Cirrus Channel at a 90 degree angle.

C-MCL-SL locks Cirrus Channel in place.

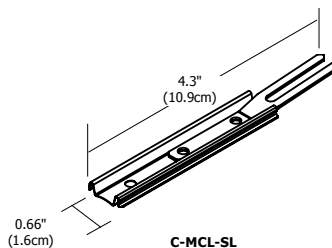


C-MCL-075

Product	Type	Options
<b>C</b>	<b>MCL</b>	Standard (leave blank)
C Channel	MCL Mounting Clip	<b>075</b> Adjusts 0-75° <b>90</b> 90° Mounting Angle <b>SL</b> Slide Clip



C-MCL-90



C-MCL-SL

PROJECT:

FIXTURE  
TYPE:

DATE:

