



VANISHING POINT 120VAC PENDANT CONNECTION CEILING CORD GRIP SYSTEM



DESIGNED BY GREGORY KAY | ASSEMBLED IN AMERICA | US PATENT PENDING

REV 09.04.20



V-C120A-WH
Vanishing Point 0.2" Opening Plaster-In

DESCRIPTION

The Vanishing Point 120VAC Pendant Connection System is a groundbreaking innovation, changing the way the world sees luminaires. The cord grip system is the only genuinely trimless and flush, allowing pendants to disappear into the ceiling. Mounting options available for both drywall and millwork ceilings, designed for 120VAC cord suspended fixtures. The epitome of refinement, the Vanishing Point Cord Connection System, eliminates the unattractive, bulky, and outdated canopy achieving a minimal and continuous architecture. Corded pendant/suspension fixtures sold separately. Patent Pending.

DRYWALL MOUNTING

V - Drywall Plaster-in option has no visible canopy outline, fixture cord vanishes in to the ceiling. Pendant/Fixtures sold separately.

C120A - 0.25" diameter opening for cord, accommodates fixtures up to 5lb

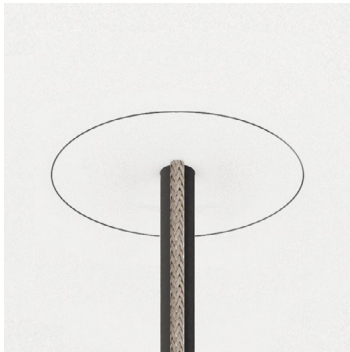
C120B - 0.30" diameter opening for fixtures with cord and 1/16 Aircraft cable, accommodates fixtures up to 33lbs

MILLWORK MOUNTING

V2M - Connection point at ceiling 2.0" canopy sits flush in Millwork ceilings for a clean look. Pendant/Fixtures sold separately.

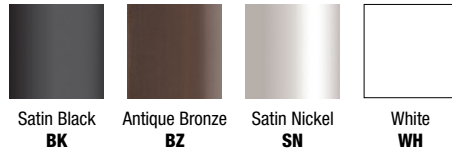
APPLICATIONS

Designed for indoor use only. Ideal applications in residential, commercial, retail and hospitality environments include not limited to kitchens, living rooms, dinning rooms, offices, conference rooms, architectural spaces, lobbies, large-scale public spaces, hotels, restaurants and luxury health spas. Connection Types Hard Wire



V-C120B-WH
Vanishing Point 2" Flush, Magnetic Canopy for drywall. For fixtures with 0.3" cord and aircraft cable.

FINISHES



WARRANTY / LABELS

Pro-rated 5 year warranty. Assembled in America
ETL, CSA Listed



V2M-C120A-BZ
Vanishing Point 2" Flush Canopy for Millwork ceilings.



*Install any UL, ETL or CSA Cord Listed pendant fixture with 2 or 3 #18 gauge wires, 120V.

System	Type/Voltage	Finish
V	C120A	WH
V Vanishing Point Drywall Plaster-in and paint plate, no visible canopy outline on the surface, fixture cord vanishes in to the ceiling. 120 volt pendant fixture supplied by other	C120A For .25" Cord Diameters. 5lb maximum.	BK Black
V2M Vanishing Point 2.0" Flush, Magnetic Canopy, 120 volt pendant fixture supplied by other	C120B For .30" Cord with 1/16" Cable Diameters. 33 lb maximum.	BZ Bronze
	CG 1/16" Cable Grip. No Power 33 lb maximum.	SN Satin Nickel
		WH White (Drywall Only)

PROJECT	FIXTURE TYPE	DATE
---------	--------------	------



VANISHING POINT 120VAC PENDANT CONNECTION CEILING CORD GRIP SYSTEM



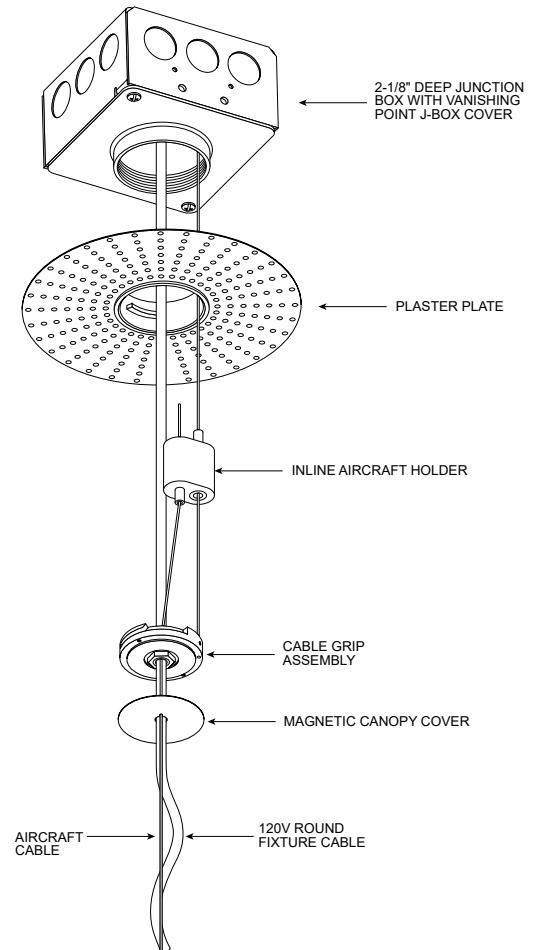
V-C120A-WH
Vanishing Point Plaster-in and paint plate with 0.3" diameter opening



V-C120B-WH
Vanishing Point Plaster-in and paint plate with 0.3" diameter opening for cords with aircraft cables.



V2M-C120A-BZ
Vanishing Point for Millwork with 0.3" diameter opening and 2" flush canopy



*Install any UL, ETL or CSA Cord Listed pendant fixture with 2 or 3 #18 gauge wires, 120V.

PROJECT	FIXTURE TYPE	DATE
---------	--------------	------