

# VANISHING POINT TUBO LARGE LED 24VDC

DESIGNED BY GREGORY KAY | ASSEMBLED IN AMERICA | PATENT PENDING

REV 10.21.20



**VR**

Vanishing Point .5" Opening Plaster-In, Remote Power supply (Order separately)

### DESCRIPTION:

The Vanishing Point Tubo Large Plaster-In System with integrated LED. Offered in four distinct mounting options for drywall and millwork, the Vanishing Point Tubo Large achieves the most minimal connection producing a refined and continuous architecture in any environment. You may feed up to 6 Tubo Large fixtures, with our 24VDC, Class 2 remote power supply. Patent Pending.

### DRYWALL APPLICATIONS (PLASTER-IN)

**VR** - Remote Power Supply has NO visible canopy line, just the small (0.5") point of connection where the Fast Jack disappears into the ceiling. 24V remote power supply (Order Separately). Title 24 compliant.

**V2P** - ELV power supply fits within the junction box. The plaster-in and paint plate allow for the slightest outline of the 2.0" Magnetic, Flush canopy cover. 24 VDC/50W IC or 60W Non-IC ELV.

### MILLWORK APPLICATIONS

**V2MR** - Connection point at ceiling 2.0" canopy sits flush in Millwork for a clean look. 24V remote power supply (order separately). Title 24 compliant.

**V2MP** - Connection point at ceiling 2.0" canopy sits flush in Millwork with included power supply that fits inside J-BOX. 24 VDC/50W IC or 60W Non-IC ELV.



**V2P**

Vanishing Point 2" Flush Magnetic Canopy Cover to dry wall with ELV power supply in J-Box

### APPLICATIONS:

Designed for indoor use only in drywall and millwork. Ideal applications in Commercial, Retail, Residential, Hospitality, Education, and Healthcare Institutions.

### POWER SUPPLIES & DIMMING\*

Input Voltage 120VAC/24VDC  
Power Consumption: 14-14.5 watts

**VR / V2MR:** Remote Power Class 2 wiring, 0-10V Dimming, up to 100 Watts

**V2P / V2MP:** 50W IC or 60W Non-IC ELV (power supply inside J-box) ELV Dimming only

\*Remote power supplies are ordered separately

### SPECIFICATIONS

Construction: Die Cast Aluminum  
Aim: 90° Tilt, 360° Rotation  
LED: COB Chromaticity range within a 2-step MacAdam Ellipse  
Average LED life: 60,000 hrs

### LAMPING

	BEAM ANGLE REFERENCE 40°				
COLOR TEMPERATURE	24K	27K	30K	30D	35K
TOTAL LUMENS	1324	1181	1317	1037	1356
WATTS	14.37	14.36	14	14.45	14.43
LUMENS PER WATT (lm/w)	92.2	82.2	91	72	94
CRI	92.4	97	92	97	97
TM-30 DATA	R9: 60 Rf: 91.3 Rg: 99.1	R9: 97 Rf: 93.1 Rg: 99	R9: 92 Rf: 90.8 Rg: 99	R9: 88.7 Rf: 90.8 Rg: 100	R9: 60 Rf: 91.3 Rg: 99.1
LAMP LIFE	60,000 Hours, 70% Lumen Maintenance				



**V2MP**

Vanishing Point 2" Flush Canopy for Millwork, with ELV power supply in J-Box

### ACCESSORIES

Field adjustable single optic reflector gives a smooth uniform beam at 15° / 25° / 40° / 60° beam spread options

TUBO LARGE	ORDERING CODE
15° BEAM SPREAD	REF-1.75-SP
25° BEAM SPREAD	REF-1.75-NF
40° BEAM SPREAD	REF-1.75-FL
60° BEAM SPREAD	REF-1.75-WF

### WARRANTY / LABELS

Pro-rated 5 year warranty. Assembled in America, RoHS, ETL (Conforms to UL1598 and CSA 22.2 #250.0), Title 24 (Remote power supplies only)

### FINISH



Black  
**BK**

White  
**WH**

System

Type

Fixture

Head / Beam Spread Lens

Color Temperature

Finish

<b>VR</b>	<b>FJ24</b>	<b>TUBL</b>	<b>NF</b>	<b>30K</b>	<b>WH</b>
-----------	-------------	-------------	-----------	------------	-----------

**VR** Vanishing Point Drywall Plaster-in with .5" opening with Universal or 0-10 Remote Power supply (order separately)  
**V2P** Vanishing Point 2" Flush, Magnetic Canopy Cover to dry wall, ELV power supply in J-box  
**V2MR** Vanishing Point 2" Flush canopy for Millwork, with Universal or 0-10 Remote Power supply (ordered separately)  
**V2MP** Vanishing Point 2" Flush canopy for Millwork with ELV power supply in J-box ELV

**FJ24** Fast Jack 24VDC

**TUBL** Tubo Large

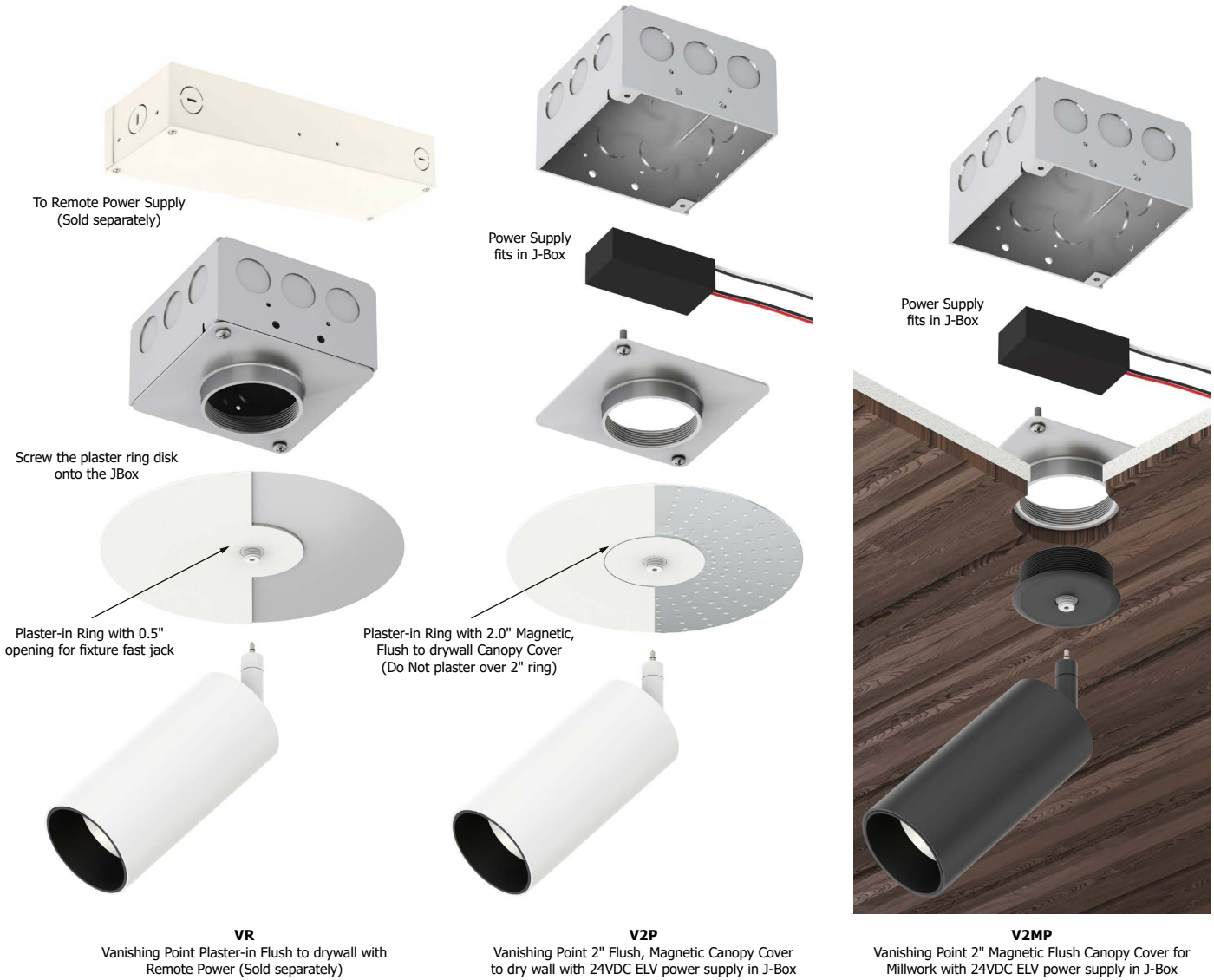
**SP** Spot 15°  
**NF** Narrow Flood 25°  
**FL** Flood 40°  
**WF** Wide Flood 60°

**24K** 2400K  
**27K** 2700K  
**30K** 3000K  
**30D** 3000K Warm Dim to 1800K  
**35K** 3500K

**BK** Black  
**WH** White\*  
 \*Not available with Millwork

PROJECT	FIXTURE TYPE	DATE
---------	--------------	------

# VANISHING POINT TUBO LARGE LED 24VDC

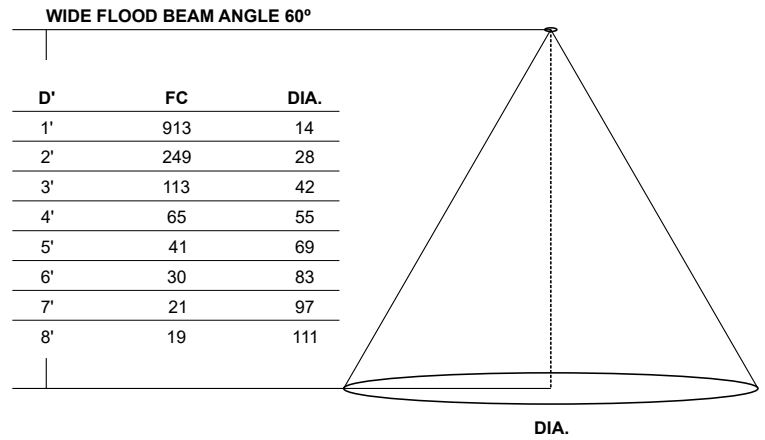
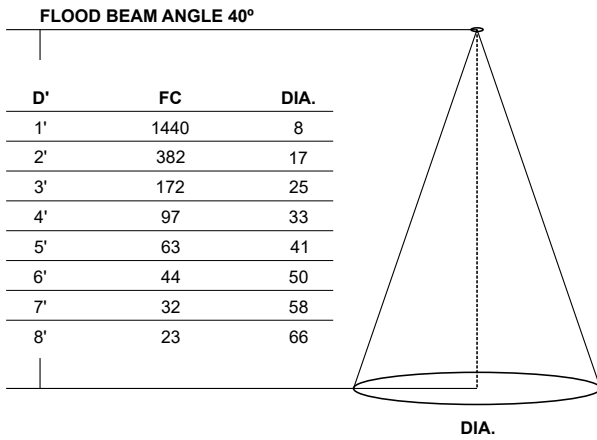
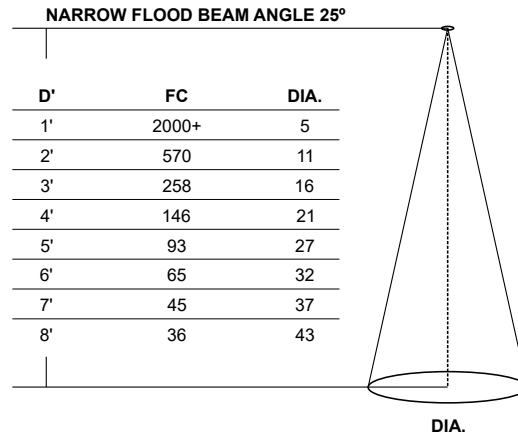
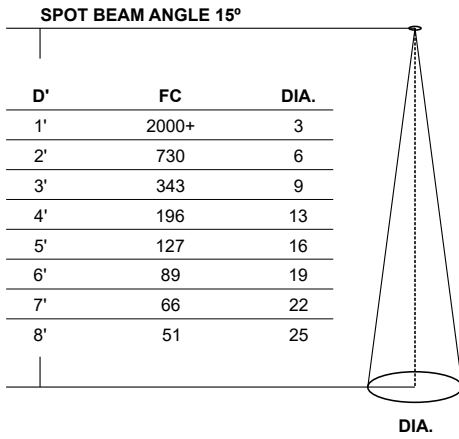


PROJECT	FIXTURE TYPE	DATE
---------	--------------	------

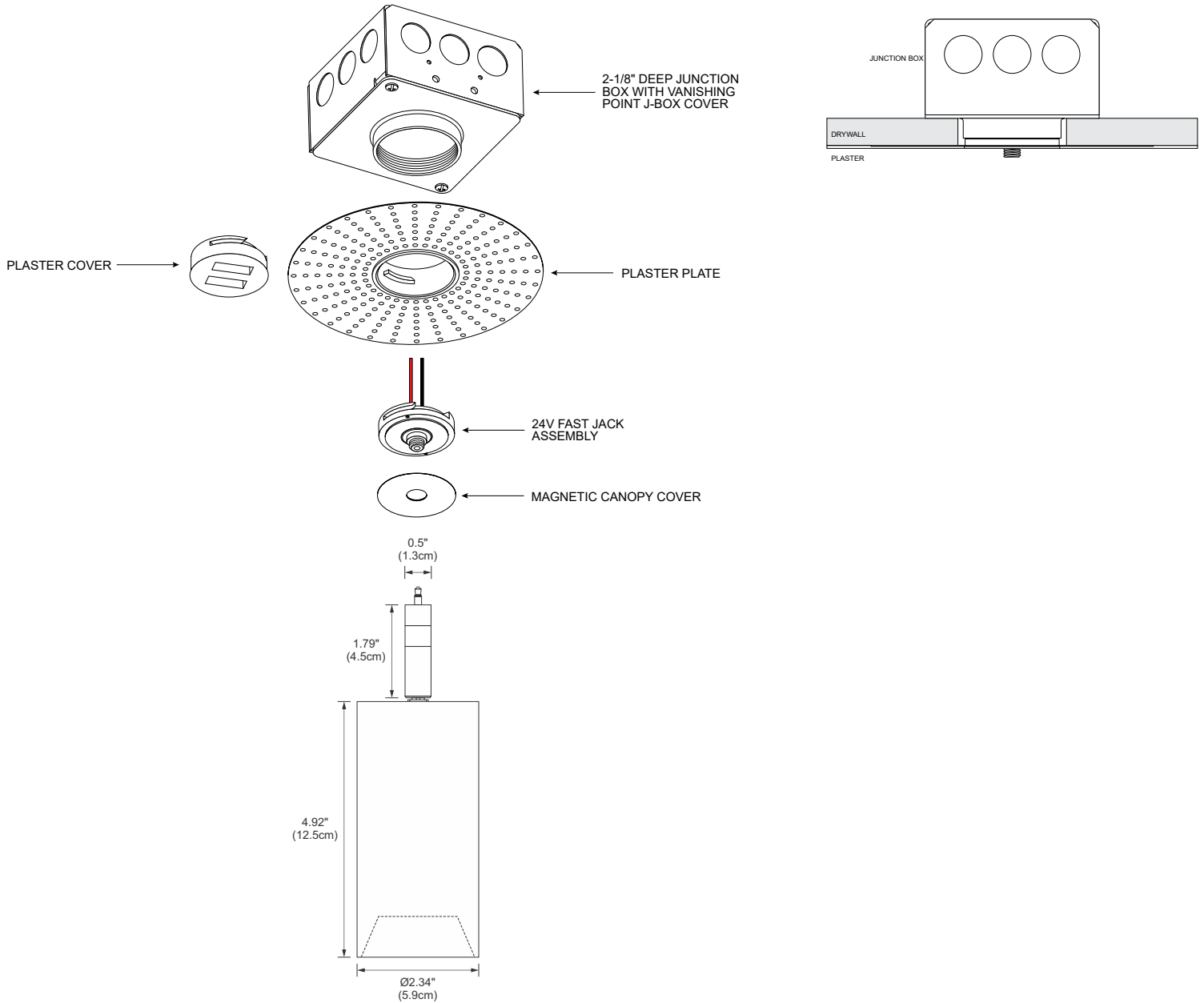
# VANISHING POINT TUBO LARGE

## LED 24VDC

D - Distance from TUBO LARGE DOWNLIGHT fixture  
 FC - Initial foot candles at the center of beam  
 DIA - Diameter







PROJECT	FIXTURE TYPE	DATE
---------	--------------	------





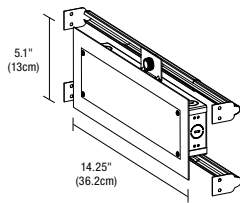
## FILM LENS ACCESSORIES

FILM LENS SOFT FOCUS		FILM LENS LINEAR SPREAD		HEXCELL LOUVER	
DIFFUSES A BEAM PATTERN TO PROVIDE EVEN ILLUMINATION		LINEAR SPREAD LENS DIRECTS LIGHT THROUGH 10° / 15° / 25° DEGREE BEAM LENS CREATING AN ELONGATED SHAPE, USED FOR LONG RECTANGLE PAINTINGS OR ART WORK. LINEAR SPREAD LENS DIRECTS LIGHT THROUGH 35° / 40° / 60° DEGREE BEAM LENS CREATING AN ELONGATED OVAL SHAPE, USED IN ART WORK AND WALL WASH APPLICATIONS.		HEXCELL LOUVER ACCESSORY FOR ADDITIONAL DIFFUSION.	
PRODUCT	TUBO LARGE 	PRODUCT	TUBO LARGE 	PRODUCT	HEXCELL LOUVER 
ORDERING CODE	LF-TUBL-SF, MF, WF	ORDERING CODE	LF-TUBL-LS	ORDERING CODE	L016-H

PROJECT		FIXTURE TYPE		DATE	
---------	--	--------------	--	------	--

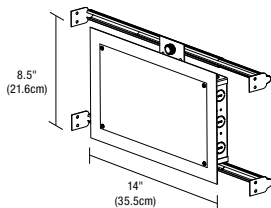
0-10 VOLT (010) POWER SUPPLIES & RECOMMENDED DIMMERS†				
ORDERING CODE	PSB-25W-010-24VDC 	PSB-60W-010-24VDC 	PSB-96W-010-24VDC 	PSB-2X96W-010-24VDC 
SPECIFICATIONS				
MAXIMUM LOAD	25W	60W	96W	2X96W
INPUT VOLTAGE	120VAC	120-277VAC	120-277VAC	120-277VAC
OUTPUT VOLTAGE	24VDC	24VDC	24VDC	24VDC
DIMENSIONS	12.4" X 3.12" X 2.18"	12.4" X 3.12" X 2.18"	12.4" X 3.12" X 2.18"	12.15" X 6.48" X 2.18"
CLASSIFICATION	CLASS 2	CLASS 2	CLASS 2	CLASS 2
IN-WALL MOUNTING	PSB-25W-010-24VDC-IW	PSB-60W-010-24VDC-IW	PSB-96W-010-24VDC-IW	PSB-2X96W-010-24VDC-IW

0-10 VOLT (010) POWER SUPPLIES & RECOMMENDED DIMMERS†			
ORDERING CODE	PSB-3X96W-010-24VDC 	PSB-4X96W-010-24VDC 	
SPECIFICATIONS			
MAXIMUM LOAD	3X96W	4X96W	
INPUT VOLTAGE	120-277VAC	120-277VAC	
OUTPUT VOLTAGE	24VDC	24VDC	
DIMENSIONS	14" X 10" X 3"	17" X 13" X 3"	
CLASSIFICATION	CLASS 2	CLASS 2	
IN-WALL MOUNTING	N/A	N/A	
DIMMING & CONTROLS			
PHILIPS SUNRISE: SR1200ZTUNV	•		•
LUTRON DIVA: DVTV-WH, DVSTV-WH	•		•
LUTRON NOVA T: NTSTV-DV-XX	•		•
LUTRON GRAFIX EYE QS: QSGRJ-XP	•		•
LUTRON RADIO RA2: RRD-10ND	•		•
LEVITON: LEV40050	•		•
LEVITON IP710-LFZ	•		•
LEGRAND: ADPD4FBL3P2W4	•		•



**5.1 x 14.25 inch In-Wall Mounting Kit:** Includes power supply, box cover and stud hangers for installing Junction Box in wall. Select "IW" in the options section of compatible power supply ordering codes if an In-Wall Mounting Kit is needed.

**Ordering Codes:** PSB-25W-010-24VDC-IW, PSB-60W-010-24VDC-IW, PSB-96W-010-24VDC-IW



**8.5 x 14 inch In-Wall Mounting Kit:** Includes power supply, box cover and stud hangers for installing Junction Box in wall. Select "IW" in the options section of compatible power supply ordering codes if an In-Wall Mounting Kit is needed.

**Ordering Codes:** PSB-2X96W-010-24VDC-IW

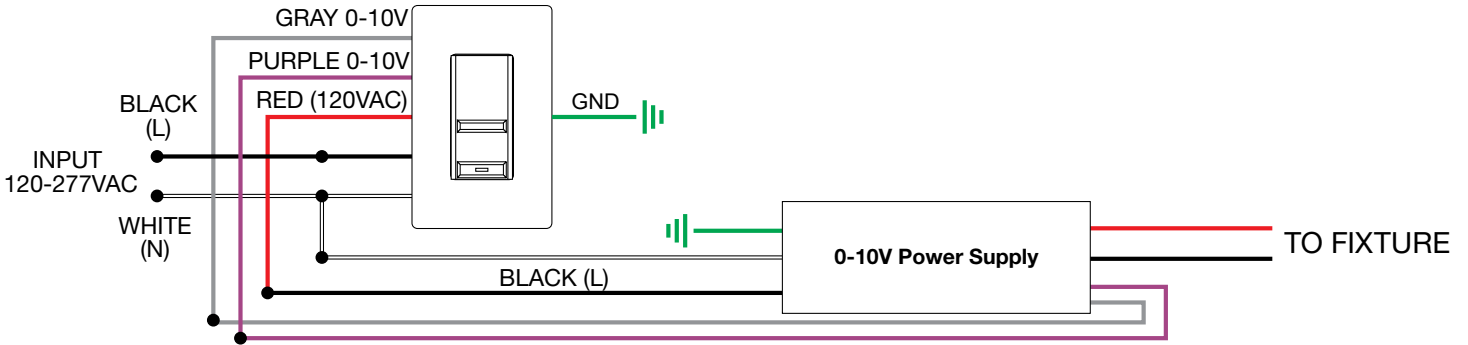
PROJECT		FIXTURE TYPE		DATE	
---------	--	--------------	--	------	--

**SAMPLE WIRING DIAGRAMS 24VDC 010**

**Application:** 0-10V Dimming Applications For Static White and Warm Dim 0-10V Dual Dimming.

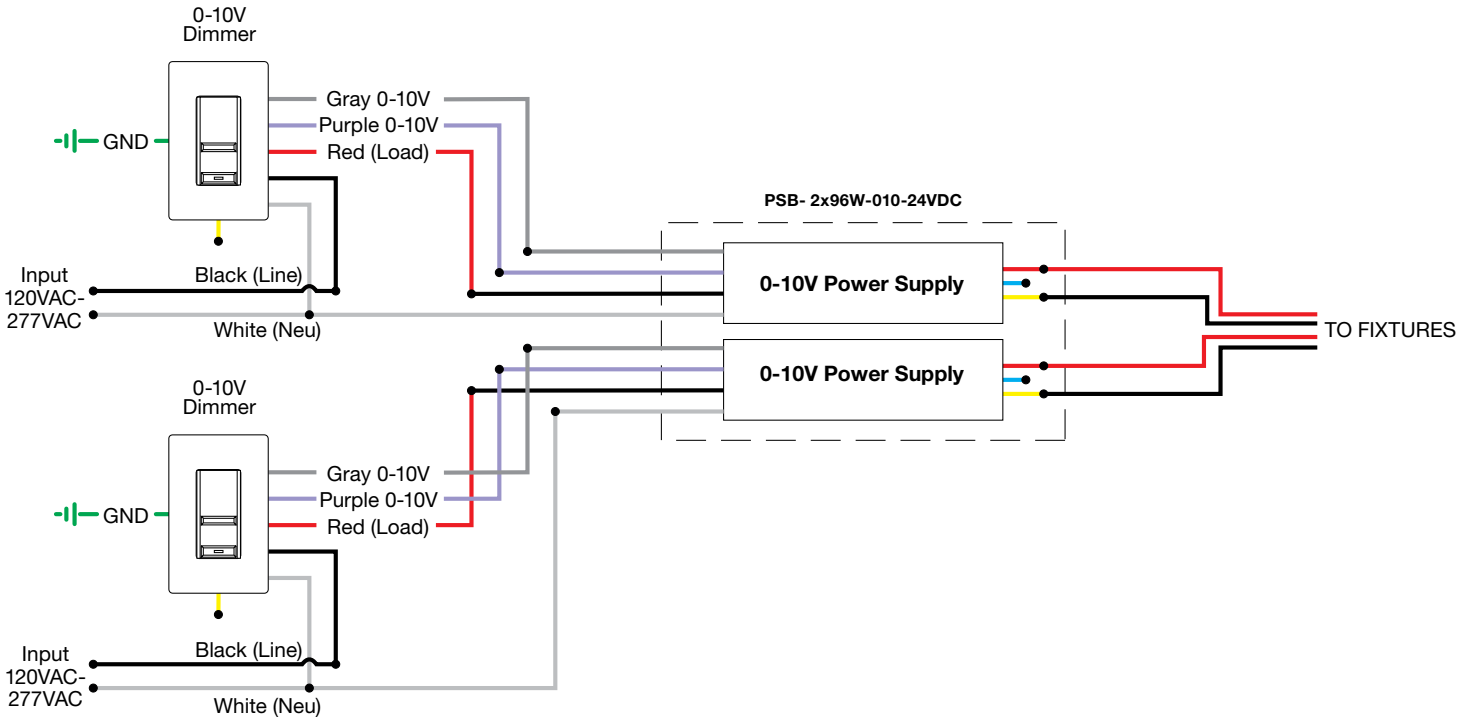
**Dimming:** Dimmable with 0-10V dimmers: Signify (Phillips) Sunrise: SR1200ZTUNV, Leviton Dimmers: LEV40050, IP710-LFZ, \*IP710-DLZ \*(Built in LED locator light) Legrand Dimmer: ADPD4FBL3P2W4 Lutron Systems: Lutron GRAFIX Eye QS Main Unit (with DRX-TVI) Radio Ra2 (with GRX-TVI)

**0-10V DIMMER**

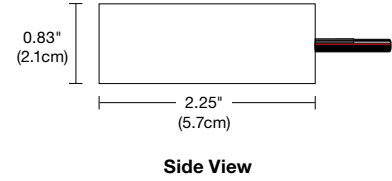
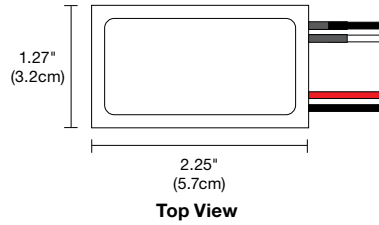
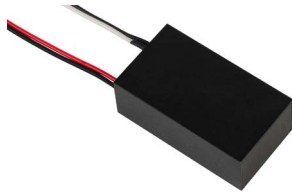


**Application:** Dual 0-10V dimming for Dynamic/Tunable White 2000K-4000K

**Dimming:** Dimmable with Dual 0-10V dimmers: Signify (Phillips) Sunrise: SR1200ZTUNV, Leviton Dimmers: LEV40050, IP710-LFZ, \*IP710-DLZ \*(Built in LED locator light), Legrand Dimmer: ADPD4FBL3P2W4, Lutron Systems: Lutron GRAFIX Eye QS Main Unit (with DRX-TVI) Radio Ra2 (with GRX-TVI)



PROJECT		FIXTURE TYPE		DATE	
---------	--	--------------	--	------	--



## DESCRIPTION

Compact, lightweight remote electronic 60W/24V LED Power Supply\* converts standard 120VAC voltage to 24VDC and features built-in short-circuit protection. The low voltage output may be dimmed using an electronic low voltage dimmer. The Power Supply is certified to be used inside a standard Junction Box enclosure. Power Supply features short circuit and overload protection. Indoor applications only.

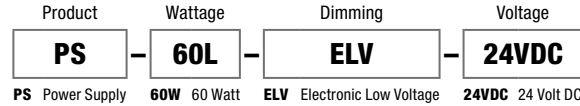
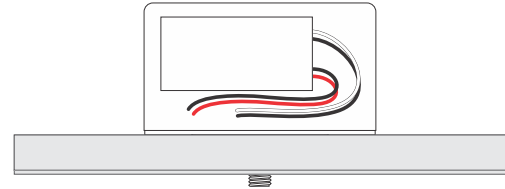
*\*Electrical Panels using Siemens/Murray AFCI breakers are not compatible with this ELV transformer. Use 0-10 Volt power supplies with this breaker.*

## APPLICATIONS

Indoor\*

To avoid overheating the power supply, install it in a ventilated remote location where air flows. Maintain proper spacing among power supplies when multiple power supplies are installed in the same remote location.

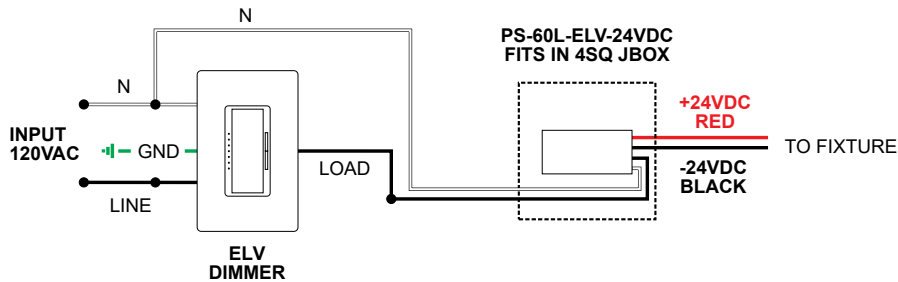
- POWER INPUT** 120 volts AC, 60Hz
- POWER OUTPUT** Class 2; 24 volts DC 2.5A 60 watt maximum
- DIMENSIONS** 2.25" x 1.25" x 0.83"
- DIMMER TYPE** Electronic Low Voltage Dimmer Lutron: Diva #DVELV-300P; Skylark #SELV-300P; Maestro #MAELV-600



## SAMPLE WIRING DIAGRAMS 24VDC ELV

**Application:** ELV dimming for Static White

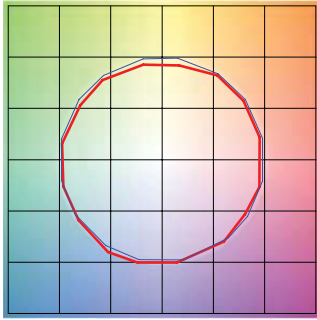
**Dimming:** Dimmable with ELV dimmer: Legrand, Adorne ADTP703TU; Lutron: Diva DVELV-300P, Skylark SELV-300P, Maestro MAELV-600 and Radio Ra 2



PROJECT		FIXTURE TYPE		DATE	
---------	--	--------------	--	------	--

**TM-30-15 DATA:** The data below is for Tubo. Consistent color temperatures among multiple track heads is possible through a 3 phase binning process in which each order is inspected with a color meter to ensure uniformity.

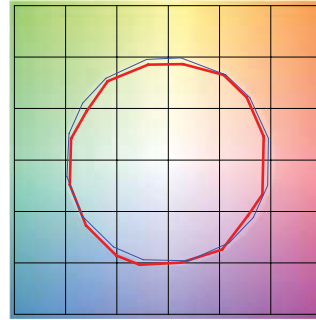
**2400K** | Rf: 91.2 | Rg: 96.8  
Color Vector Graphic



■ Test ■ Reference

HUE BIN	Rf	GRAPHIC SHIFTS %	
		CHROMA	HUE
1	92.0	-2.4%	1.5%
2	94.7	-2.1%	0.0%
3	95.4	-1.9%	-0.1%
4	88.7	-6.7%	-3.1%
5	92.8	-5.6%	1.0%
6	92.7	-3.4%	3.4%
7	89.9	-4.3%	4.1%
8	92.4	-1.4%	4.4%
9	89.0	-0.6%	5.8%
10	88.9	0.4%	6.2%
11	89.7	4.0%	5.4%
12	92.6	3.0%	-0.7%
13	90.9	1.1%	-7.0%
14	89.9	0.5%	-5.8%
15	92.1	-3.2%	0.1%
16	88.9	-1.7%	-6.3%

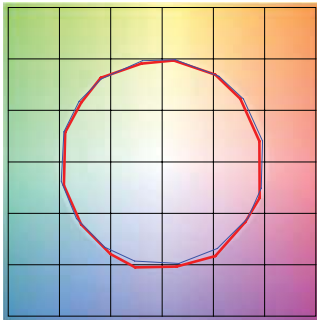
**2700K** | Rf: 87.7 | Rg: 96.1  
Color Vector Graphic



■ Test ■ Reference

HUE BIN	Rf	GRAPHIC SHIFTS %	
		CHROMA	HUE
1	88.0	-4.3%	2.6%
2	91.6	-2.4%	2.0%
3	93.7	-1.4%	1.9%
4	88.9	-5.6%	-3.1%
5	92.3	-5.5%	-0.5%
6	92.9	-3.5%	0.1%
7	84.5	-7.5%	4.6%
8	90.8	-3.0%	4.4%
9	84.5	-1.3%	8.3%
10	83.9	2.0%	9.8%
11	87.2	5.3%	7.1%
12	89.2	5.4%	-2.6%
13	88.7	0.3%	-7.8%
14	86.8	1.7%	-9.3%
15	87.6	-5.4%	-1.3%
16	83.6	-3.3%	-9.5%

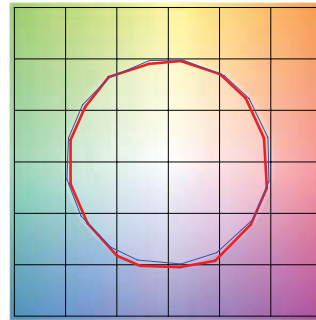
**3000K** | Rf: 88.1 | Rg: 99.7  
Color Vector Graphic



■ Test ■ Reference

HUE BIN	Rf	GRAPHIC SHIFTS %	
		CHROMA	HUE
1	92.5	-3.1%	0.3%
2	93.3	-2.3%	1.9%
3	90.9	-0.8%	3.9%
4	94.3	-1.1%	1.4%
5	92.5	-2.6%	1.5%
6	96.4	1.2%	-0.3%
7	92.6	-2.5%	-0.0%
8	96.9	-1.4%	0.2%
9	92.3	-1.8%	4.3%
10	86.6	-0.7%	7.0%
11	86.5	2.4%	8.2%
12	89.8	5.9%	1.7%
13	93.9	2.6%	-2.7%
14	89.4	5.1%	-5.8%
15	90.1	-0.1%	-4.7%
16	86.5	0.3%	-9.7%

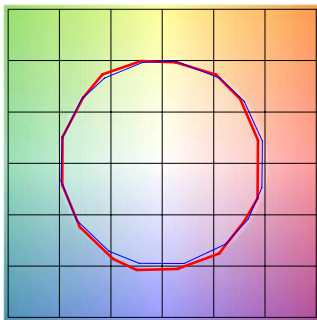
**3500K** | Rf: 86.1 | Rg: 95.5  
Color Vector Graphic



■ Test ■ Reference

HUE BIN	Rf	GRAPHIC SHIFTS %	
		CHROMA	HUE
1	90.8	-3.8%	0.3%
2	92.3	-2.8%	2.1%
3	89.7	-1.0%	4.3%
4	92.6	-1.4%	1.7%
5	91.8	-3.1%	1.3%
6	96.2	0.8%	-0.4%
7	92.9	-3.2%	0.2%
8	94.3	-2.5%	1.5%
9	90.4	-2.5%	5.2%
10	84.3	-1.4%	9.5%
11	83.1	3.5%	9.8%
12	88.2	4.8%	3.4%
13	94.0	2.7%	-2.0%
14	88.7	5.9%	-5.8%
15	88.7	0.7%	-5.9%
16	86.8	-0.7%	-6.7%

**3000D** | Rf: 89.8 | Rg: 101.4  
Color Vector Graphic



■ Test ■ Reference

HUE BIN	Rf	GRAPHIC SHIFTS %	
		CHROMA	HUE
1	90.2	-4.2%	1.5%
2	90.9	-2.0%	3.7%
3	87.9	0.8%	5.5%
4	92.1	-0.9%	0.6%
5	93.0	1.5%	1.6%
6	92.2	3.9%	-0.2%
7	92.1	-0.3%	-2.0%
8	96.7	0.0%	-1.2%
9	92.5	-0.6%	3.7%
10	88.3	1.1%	7.0%
11	87.2	4.1%	7.4%
12	87.2	6.7%	-1.0%
13	88.2	3.8%	-7.2%
14	85.3	4.3%	-9.9%
15	90.9	-2.2%	-3.6%
16	83.4	-2.2%	-11.2%

PROJECT	FIXTURE TYPE	DATE
---------	--------------	------