

TIE STIX WALL 1-LIGHT VERTICAL DYNAMIC/TUNABLE WHITE

WITH REMOTE 24VDC POWER SUPPLY, HUMAN CENTRIC LIGHTING

DESIGNED BY GREGORY KAY | ASSEMBLED IN AMERICA

REV 01.31.20



DESCRIPTION

Tie Stix Wall 1-Light Vertical offering Dynamic/Tunable White LED Technology. Using the latest advancements in LED technology and design, Variable White temperature (Kelvin) changes at full brightness from 2000K (Sunset) to 4000K (Cool White). Suitable for warm dim (dim-to-warm) applications. Uses Designer Commercial Grade LED Variable White Soft Strip. 95+ CRI LEDs are set behind a clean opaque lens with a 100-degree beam spread.

ELECTRICAL:

Power Supply Options:	2xUNIVERSAL Remote Power Supply (Not Included)
Input Voltage:	120VAC-277VAC
Output Voltage:	Pure 24VDC Class 2 wiring
Power Consumed:	5 Watts per foot
LEDs per Foot:	35 at 2000K, 35 at 4000K, TOTAL = 70
Average LED life:	60,000 hrs @ normal usage

DIMMING

ELV, 0-10V, Triac, DMX, DALI, Lutron Hi-Lume® (Ordered Separately)

LUMEN PERFORMANCE:

@3000K, 4.8W per Foot

Lumen Output:	235 Lm/Ft
Efficiency:	51 lm/watt
CRI:	95+
Beam Angle:	100 degrees

APPROVALS

Class 2 Wiring up to 100 watts, Damp Location Suitable, ADA and ETL listed. Title 24. Assembled in America.

PHYSICAL ATTRIBUTES:

Mounting Options:	<p>4SQ: Canopy Mounts to standard 4" electrical box with round plaster plate.</p> <p>2RE: Canopy Mounts to standard 4" electrical box with single gang plaster ring or single gang electrical box.</p> <p>1RE: Canopy Mounts to Slim Profile junction box (included) recommend for new construction application.</p>
Material:	Real Hardwood NOT LAMINATE, NOT MDF. High Grade Aluminum. LED Soft Strip Tape Light.
Compliance:	ADA, Damp Rated, ETL listed, Class 2 wiring, Title 24
Warranty:	PureEdge's 5 Year PRO-RATED Warranty is backed by over 30 years of precision lighting manufacturing and design.

APPLICATIONS

Commercial: Hospitality, Office Buildings/Spaces, Conference Spaces, Commercial Real Estate, Hi-Rise, Hallway lighting, Municipal Buildings, Health Care, Human Centric Lighting
 Residential: Foyer, Home Office, Media Room, Game Rooms, General Geometric Lighting Design with Luxury LED efficiency and Human Centric Variable White Dynamic LED

*Dynamic Tunable White please see TIE STICK 2K4K variable white spec sheet.

System	Wattage	Canopy	Nominal Size (L) In Inches	Color Temperature	Canopy and Hardware Finish	Channel Finish
TXW1R	5W	4SQ	12	2K4K	S	WM
TXW1R Tie Stix Wall 1-Light Adjustable, Remote Power Supply (Order Separately pgs 4-7)	5W 5 Watt	4SQ 4.6" Square 1RE 1" Rectangle with Junction Box 2RE 2" x 4" Rectangle	12 13.2" 15 15.6" 17 18.0" 22 22.8" 29 30.6" 34 34.8" 46 46.8"	2K4K 2K4K Dynamic/Tunable White	S Satin Nickel C Chrome Z Antique Bronze B Satin Black W White	WM Wood Maple WN Wood Walnut WC Wood Cherry WO Wood White Oak WE Wood Espresso BK Satin Black BZ Antique Bronze CH Chrome SN Satin Nickel WH White SB Satin Brass

PROJECT	FIXTURE TYPE	DATE
---------	--------------	------

TIE STIX WALL 1-LIGHT VERTICAL DYNAMIC/TUNABLE WHITE

WITH REMOTE 24VDC POWER SUPPLY, HUMAN CENTRIC LIGHTING

REV 01.31.20



TXW1-5W-2RE-22-2K4K-CWO



TXW1-5W-2RE-22-2K4K-SWN



TXW1-5W-2RE-22-2K4K-ZWM



TXW1-5W-2RE-22-2K4K-CWE



TXW1-5W-2RE-22-2K4K-SWC



TXW1-5W-1RE-22-2K4K-SSN



TXW1-5W-1RE-22-2K4K-CCH



TXW1-5W-1RE-22-2K4K-ZBZ



TXW1-5W-1RE-22-2K4K-BSB



TXW1-5W-1RE-22-2K4K-CBK



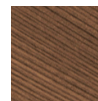
TXW1-5W-1RE-22-2K4K-BWH

DESCRIPTION	TXW1R					
	TIE STIX - TUNABLE WHITE					
COLOR TEMPERATURE	20K	24K	27K	30K	35K	40K
WATTS	2.5	3.7	4.6	4	3.3	2.6
LUMENS PER FOOT (lm/ft)	154	188	236	209	178	145
LUMENS PER WATT (lm/w)	48	50	51.3	52.4	54.4	56.4
CRI	85+	90+	95+	95+	84	84

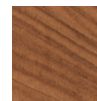
CHANNEL FINISHES:



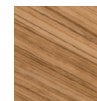
Wood Maple
WM



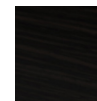
Wood Walnut
WN



Wood Cherry
WC



Wood White Oak
WO



Wood Espresso
WE

Wood finishes are authentic natural products, exact color and grain may vary. If trying to match existing product original product must be returned to PureEdge to ensure the closest possible match.

HARDWARE FINISHES:



Satin Nickel
S



Chrome
C



Antique Bronze
Z



Satin Black
B



White
W



Satin Nickel
SN



Chrome
CH



Antique Bronze
BZ



Satin Brass
SB



Satin Black
BK



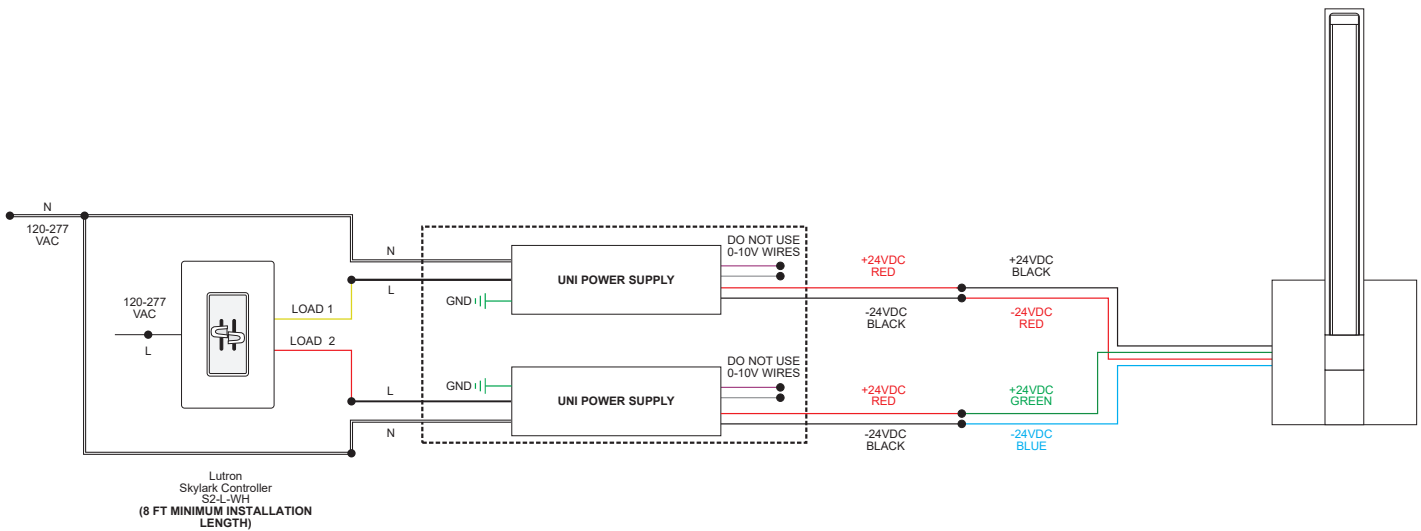
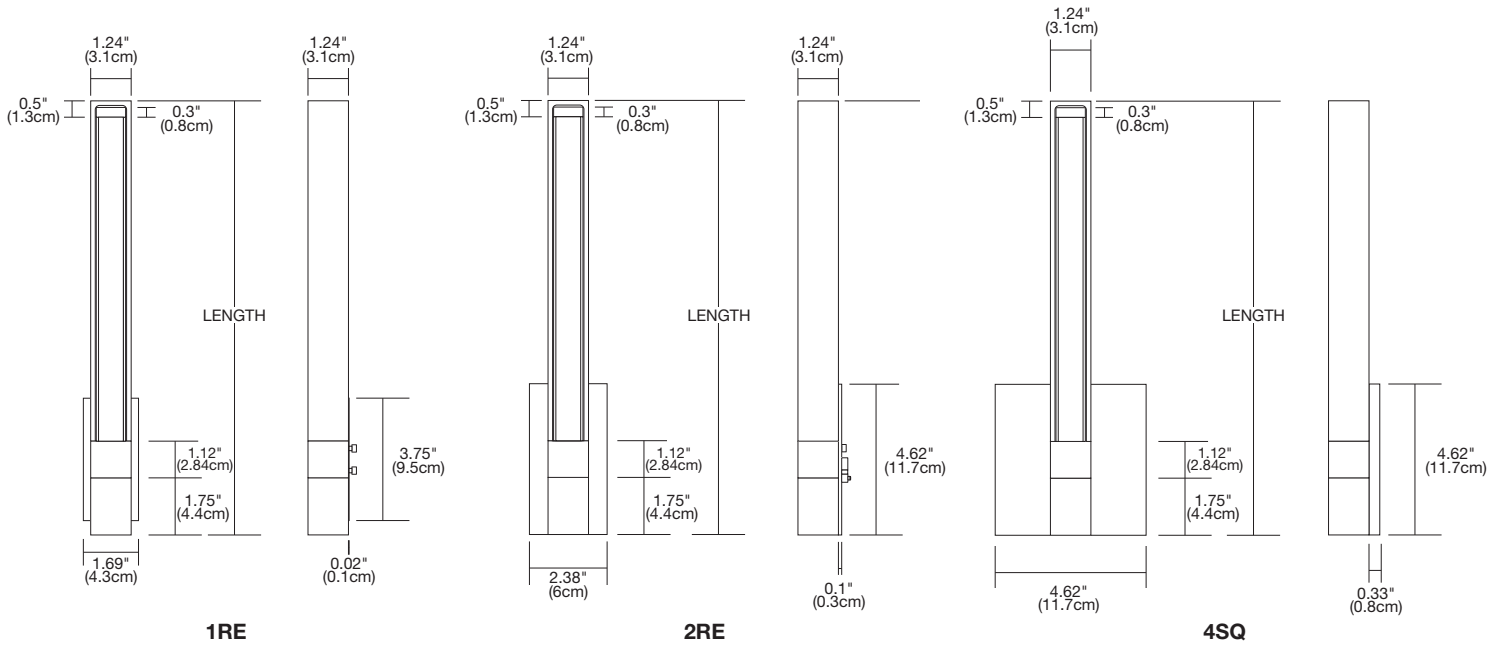
White
WH

PROJECT	FIXTURE TYPE	DATE
---------	--------------	------

TIE STIX WALL 1-LIGHT VERTICAL DYNAMIC/TUNABLE WHITE

WITH REMOTE 24VDC POWER SUPPLY, HUMAN CENTRIC LIGHTING

REV 01.31.20



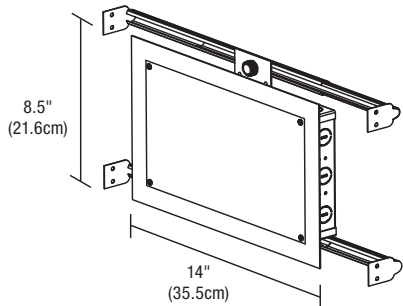
PROJECT	FIXTURE TYPE	DATE
---------	--------------	------

UNIVERSAL POWER SUPPLIES & RECOMMENDED DIMMERS†				
ORDERING CODE	PSB-2X40W-UNI-24VDC	PSB-2X60W-UNI-24VDC	PSB-2X96W-UNI-24VDC-IW	PSB-4X96W-UNI-24VDC
SPECIFICATIONS				
MAXIMUM LOAD	2X40W	2X60W	2X96W	4X96W
INPUT VOLTAGE	120-277VAC	120-277VAC	120-277VAC	120-277VAC
OUTPUT VOLTAGE	24VDC	24VDC	24VDC	24VDC
DIMENSIONS	12.15" X 6.48" X 2.18"	12.15" X 6.48" X 2.18"	12.15" X 6.48" X 2.18"	17" X 13" X 3"
CLASSIFICATION	CLASS 2	CLASS 2	CLASS 2	CLASS 2
IN-WALL MOUNTING	PSB-2X40W-UNI-24VDC-IW	PSB-2X60W-UNI-24VDC-IW	PSB-2X96W-UNI-24VDC-IW	NA
ELV DIMMING & CONTROLS				
LUTRON DIVA: DVELV-300P	•	•	•	•
LUTRON SKYLARK: SELV-300P	•	•	•	•
LUTRON RADIO RA2: RRD-6NA	•	•	•	•
LUTRON MAESTRO: MAELV-600	•	•	•	•
LEGRAND ADRNE: ADTP-703TUM4	•	•	•	•
0-10 DIMMING & CONTROLS				
PHILIPS SUNRISE: SR1200ZTUNV	•	•	•	•
LUTRON DIVA: DDTV-WH, DVSTV-WH	•	•	•	•
LUTRON NOVA T: NTSTV-DV-XX	•	•	•	•
LUTRON GRAFIX EYE QS: QSGRJ-XP	•	•	•	•
LUTRON RADIO RA2: RRD-10ND	•	•	•	•
LEVITON: LEV40050	•	•	•	•
LEVITON IP710-LFZ	•	•	•	•
LEGRAND: ADPD4FBL3P2W4	•	•	•	•
TRIAC DIMMING & CONTROLS				
LUTRON SKYLARK: S2-L-WH	•	•	•	•
LUTRON DVLV-600P-WH	•	•	•	•
LUTRON DVLV-603P-WH	•	•	•	•
LUTRON MALV-600-WH	•	•	•	•
LUTRON MALV-1000-WH	•	•	•	•
LUTRON MA-R-XX	•	•	•	•

- Flicker free dimming
- Aluminum casing for optimal heat dissipation
- Isolated output power per NEC and UL safety requirements
- UL & ETL recognized/ listed, meets UL 8750, 1310 requirements
- Auto-reset; short circuit, overload and thermal protection
- Class 2 power supply
- Efficient, High power factor > 0.90

- The Solid State Constant Voltage Uni-Power Supply is compatible with most commercially available Dimmers:
 - Triac Dimmer: (Forward Phase) Typically used for the dimming of Incandescent and Low Voltage Magnetic Transformers
 - ELV Dimmer: (Reverse Phase) Dimming of Electronic Low Voltage Transformers and Power Supply's used for LED lighting
 - 0-10 Dimmer: Dims the Low Voltage side of a 0-10 volt power supply commonly used in large scale lighting or commercial applications.
- The Uni-Power Supply is recommended with any Siemens/Murray brand of arc fault breaker to overcome the issues with tripping the breakers with an ELV LED Low Voltage Drivers.

IN WALL MOUNTING OPTIONS



In-Wall Mounting Kit: Includes power supply, box cover and stud hangers for installing Junction Box in wall. Select "IW" in the options section of compatible power supply ordering codes if an In-Wall Mounting Kit is needed.

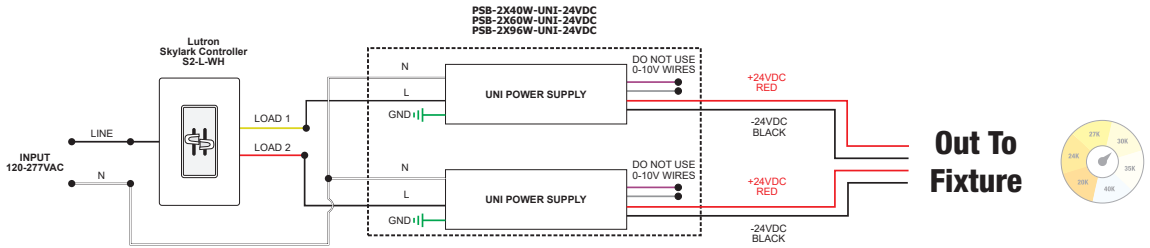
Ordering Codes 8.5 x 14.25 inch: PSB-2X40W-UNI-24VDC-IW, PSB-2X60W-UNI-24VDC-IW, PSB-2X96W-UNI-24VDC-IW

PROJECT		FIXTURE TYPE		DATE	
---------	--	--------------	--	------	--

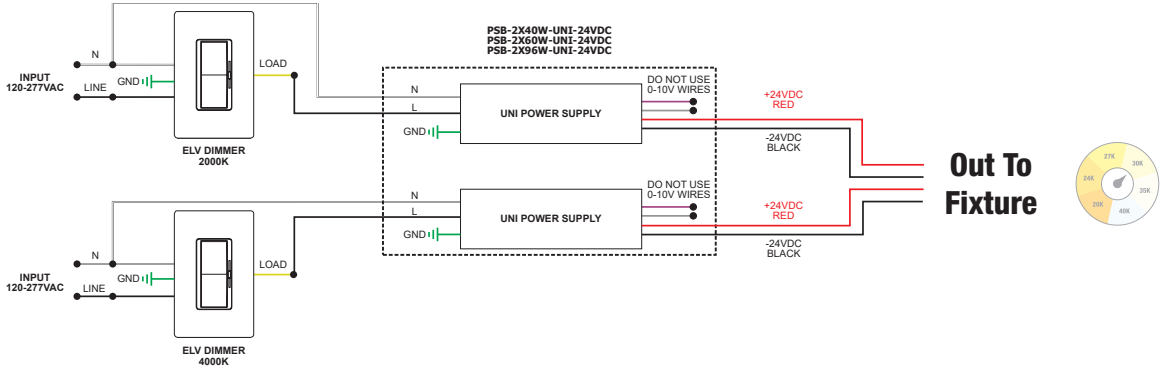
WIRING DIAGRAMS

- TRIAC Dimming:** Single pole dimming with dual remote universal power supplies with Lutron Skylark controller (sold separately)
- ELV Dimming:** Dual ELV dimming with dual ELV remote power supplies. Two ELV dimmers required (sold separately)
- 0-10V Dimming:** Dual 0-10V dimming with dual universal remote power supplies. Two 0-10V dimmers required (sold separately)
- Power Supply:** Remote, Class 2, 24VDC output: 120VAC input | Configuration 1: PSB-2x96W-UNI-24VDC with Remote Power Supply with Lutron Skylark Controller | Configuration 2: PSB-2x60W-UNI-24VDC with Dual ELV Dimmers | Configuration 3: PSB-2x96W-UNI-24VDC with Dual 0-10V Dimming
- Dimming :** Dimmable with Dual ELV Dimmers, Dual 0-10V Dimmers, Single Pole DMX, Single Pole TRIAC.

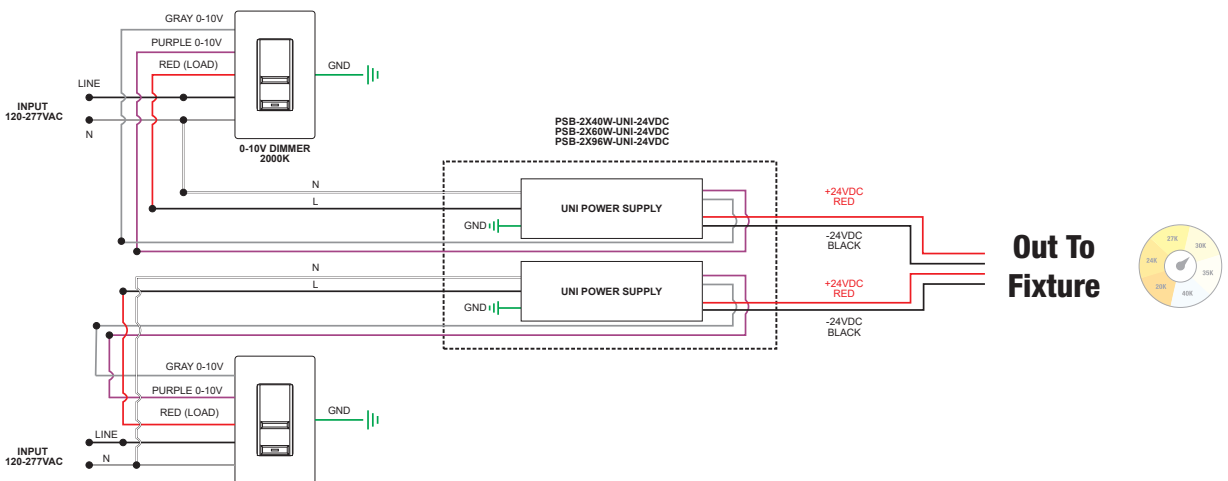
Configuration 1
 S2-L-WH (TRIAC) Single Pole Dimming with Dual Universal Power Supplies



Configuration 2
 Dual Universal Power Supplies controlled via individual ELV Dimmers



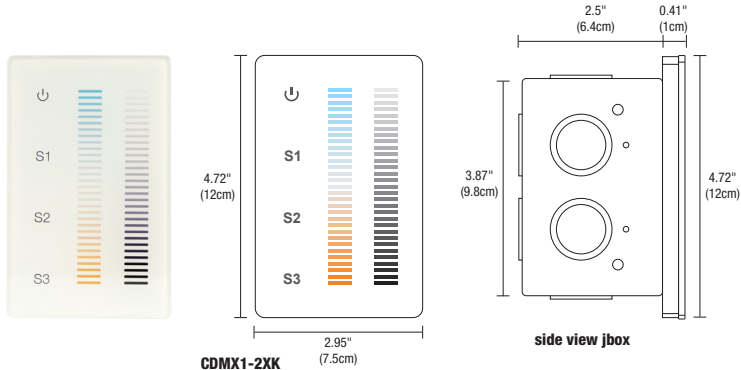
Configuration 3
 Dual Universal Power Supplies controlled via individual 0-10V Dimmers



PROJECT		FIXTURE TYPE		DATE	
---------	--	--------------	--	------	--

INDOOR CONSTANT VOLTAGE REMOTE POWER SUPPLIES

24VDC, DYNAMIC/TUNABLE WHITE POWER SUPPLIES WITH DMX DRIVER



Description:

The Tunable White Touch Controller is a full-touch controller that offers fast and accurate color temperature adjustment and independent brightness dimming of a single zone. Designed for dynamic/tunable white and dual-color LED installations, this controller adjusts color temperature and brightness for warm and cool white LEDs. It also saves 3 preset scenes. Independent smooth dimming with 256 level brightness adjustment enables the DMX controller to achieve many colors within the full LED spectrum. Controller includes a power adapter that fits in junction box (not included) behind the controller. It contains an illuminated back light when powered off.

Applications:

Indoor

Power Input:

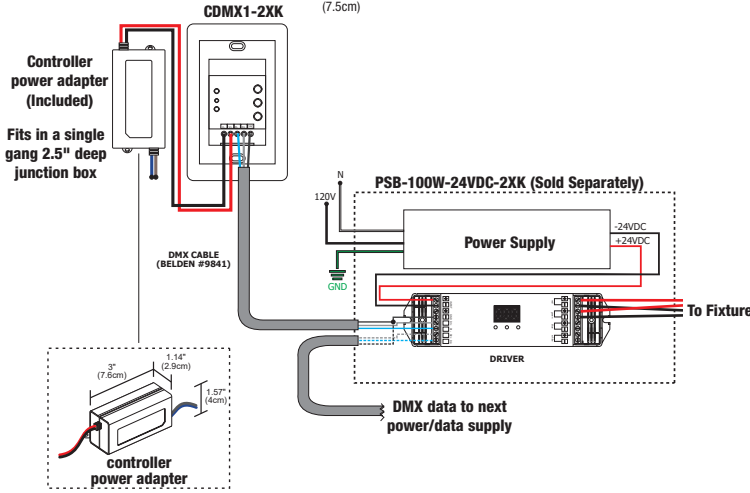
120-240VAC

Installation:

Fits in a single gang 2.5 inch deep junction box, not to be used with a multi gang box

Output Signal:

USITT DMX 512 (1990)



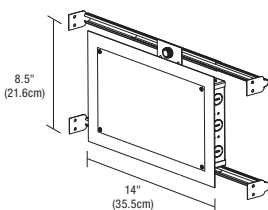
Product	Type	Finish
CDMX1	2XK	WH
CDMX1 DMX Single Zone Touch Controller	2XK 2 X Kelvin	WH White

DYNAMIC COLOR CHANGING (DMX) POWER SUPPLIES & RECOMMENDED CONTROLLERS ¹				
ORDERING CODE	PSB-100W-24VDC-2XK	PSB-2X100W-24VDC-2XK	PSB-3X100W-24VDC-2XK	PSB-4X100W-24VDC-2XK
SPECIFICATIONS				
MAXIMUM LOAD	100W	2X100W	3X100W	4X100W
INPUT VOLTAGE	120-277VAC	120-277VAC	120-277VAC	120-277VAC
OUTPUT VOLTAGE	24VDC	24VDC	24VDC	24VDC
DIMENSIONS	12.4" X 6.48" X 2.18"	14" X 10" X 3"	17" X 10" X 3"	17" X 10" X 3"
CLASSIFICATION	CLASS 2	CLASS 2	CLASS 2	CLASS 2
IN-WALL MOUNTING	PSB-100W-24VDC-2XK-IW	NA	NA	NA
DMX DYNAMIC/TUNABLE WHITE DIMMING & CONTROLS				
TUNABLE WHITE TOUCH CONTROLLER (CDMX1-2XK)	•	•	•	•

- Flicker free dimming
- Aluminum casing for optimal heat dissipation
- Isolated output power per NEC and UL safety requirements
- UL & ETL recognized/ listed, meets UL 8750, 1310 requirements
- Auto-reset; short circuit, overload and thermal protection
- Class 2 power supply
- Efficient, High power factor > 0.90

- The Solid State Constant Voltage Uni-Power Supply is compatible with most commercially available Dimmers:
 - Triac Dimmer: (Forward Phase) Typically used for the dimming of Incandescent and Low Voltage Magnetic Transformers
 - ELV Dimmer: (Reverse Phase) Dimming of Electronic Low Voltage Transformers and Power Supply's used for LED lighting
 - 0-10 Dimmer: Dims the Low Voltage side of a 0-10 volt power supply commonly used in large scale lighting or commercial applications.
- The Uni-Power Supply is recommended with any Siemens/Murray brand of arc fault breaker to overcome the issues with tripping the breakers with an ELV LED Low Voltage Drivers.

IN WALL MOUNTING OPTIONS



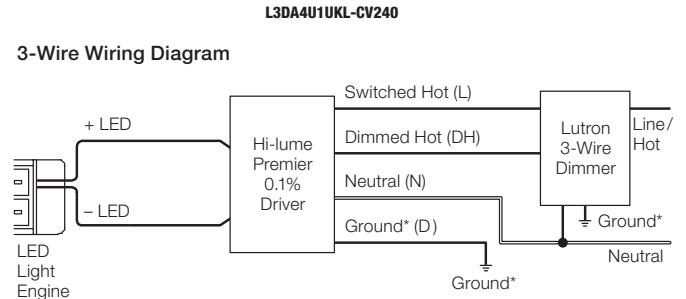
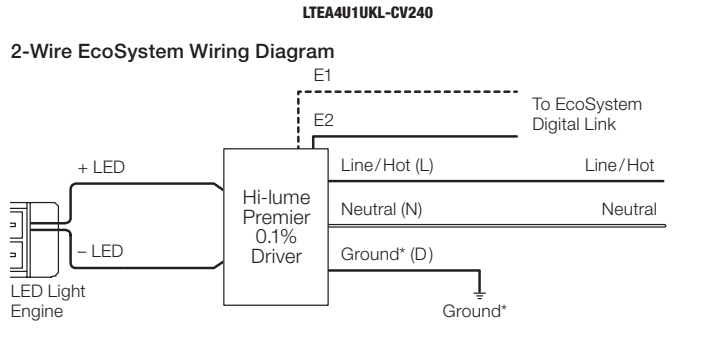
8.5 x 14 inch In-Wall Mounting Kit: Includes power supply, box cover and stud hangers for installing Junction Box in wall. Select "IW" in the options section of compatible power supply ordering codes if an In-Wall Mounting Kit is needed.

Ordering Codes: PSB-100W-24VDC-2XK-IW

PROJECT		FIXTURE TYPE		DATE	
---------	--	--------------	--	------	--

LUTRON HI-LUME® PREMIER .1% ECOSYSTEM®†			
ORDERING CODES	L3D0-96W24V-U	2-WIRE ECOSYSTEM LTEA4U1UKL-CV240	3-WIRE ECOSYSTEM L3DA4U1UKL-CV240
SPECIFICATIONS			
MAXIMUM LOAD	96W	5W-40W	5W-40W
INPUT VOLTAGE	120-277VAC	120-277VAC	120-277VAC
OUTPUT VOLTAGE	24VDC	24VDC	24VDC
DIMENSIONS	10.5" X 5.5" X 2"	4" X 4.89" X 2.62"	4" X 4.89" X 2.62"
CLASSIFICATION	CLASS 2	CLASS 2	CLASS 2
DIMMING AND CONTROLS			
RADIO RA2	•	•	•
HOMEWORKS QS	•	•	•
PHPM-3F-120	•	•	•
PHPM-3F-DV	•	•	•
BCI-0-10	•	•	•

†24K - 57K color temperatures are compatible with 0-10V, ELV, and Lutron Hi-lume® Power Supplies. Warm Dim (27D, 30D) color temperatures are only compatible with ELV power supplies.



PROJECT		FIXTURE TYPE		DATE	
---------	--	--------------	--	------	--

VANITY TM30 DATA

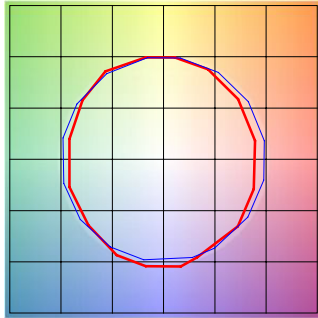
WITH REMOTE 24VDC POWER SUPPLY, HUMAN CENTRIC LIGHTING

TM-30-15 DATA

The data below is for SS5C bare LED Soft Strips. Consistent color temperatures throughout a single strip and among multiple strips is possible through a 3 phase binning process in which each order is inspected with a color meter to ensure uniformity.

2000K ONLY (2K4K) | Rf: 84.3 | Rg: 96.9

Color Vector Graphic

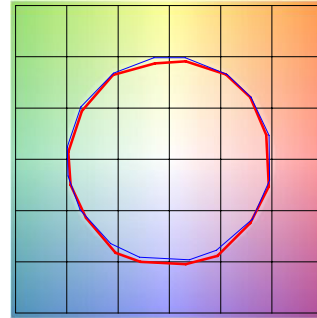


■ Test ■ Reference

GRAPHIC SHIFTS %			
HUE BIN	Rf	CHROMA	HUE
1	80.3	-8.9%	1.7%
2	79.7	-7.0%	7.8%
3	78.9	-2.9%	10.0%
4	89.5	-0.5%	5.1%
5	94.4	0.7%	1.7%
6	92.1	2.4%	-0.3%
7	89.4	-2.4%	-5.9%
8	89.7	-6.4%	-0.2%
9	86.0	-4.9%	4.6%
10	81.8	-3.4%	9.3%
11	83.1	3.3%	9.7%
12	85.8	5.6%	3.3%
13	85.6	6.2%	-12.8%
14	61.7	-1.9%	-19.0%
15	79.7	-3.3%	-12.9%
16	78.1	-7.9%	-10.6%

4000K ONLY (2K4K) | Rf: 89.6 | Rg: 99.1

Color Vector Graphic

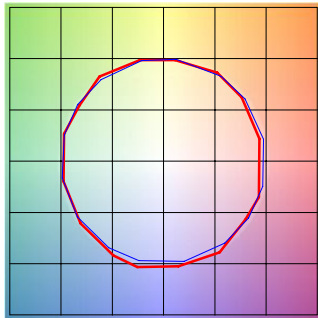


■ Test ■ Reference

GRAPHIC SHIFTS %			
HUE BIN	Rf	CHROMA	HUE
1	91.3	-2.5%	1.0%
2	95.3	-0.5%	0.5%
3	94.3	-0.7%	1.1%
4	91.1	-3.4%	-1.1%
5	89.5	-5.6%	0.0%
6	94.6	-1.4%	1.3%
7	93.2	-3.0%	2.6%
8	91.3	-1.8%	4.6%
9	86.5	-0.9%	9.1%
10	83.3	-0.5%	9.5%
11	83.3	4.9%	9.0%
12	89.7	4.1%	1.7%
13	90.1	3.6%	-4.3%
14	93.4	5.2%	-2.1%
15	87.4	0.4%	-4.3%
16	86.6	0.4%	-6.1%

2K4K (3000K) | Rf: 90.2 | Rg: 101.4

Color Vector Graphic



■ Test ■ Reference

GRAPHIC SHIFTS %			
HUE BIN	Rf	CHROMA	HUE
1	90.9	-3.8%	1.3%
2	91.7	-1.9%	3.3%
3	88.7	0.7%	5.1%
4	92.4	-1.0%	0.7%
5	92.9	0.9%	1.7%
6	93.1	3.3%	-0.6%
7	91.0	-1.8%	-0.4%
8	97.0	0.2%	-1.1%
9	92.8	-0.5%	3.6%
10	88.3	1.0%	7.0%
11	87.1	3.8%	7.8%
12	87.6	6.5%	-0.3%
13	89.3	3.6%	-6.3%
14	86.1	4.5%	-9.1%
15	91.6	-1.9%	-3.1%
16	83.8	-1.5%	-11.2%

PROJECT	FIXTURE TYPE	DATE
---------	--------------	------