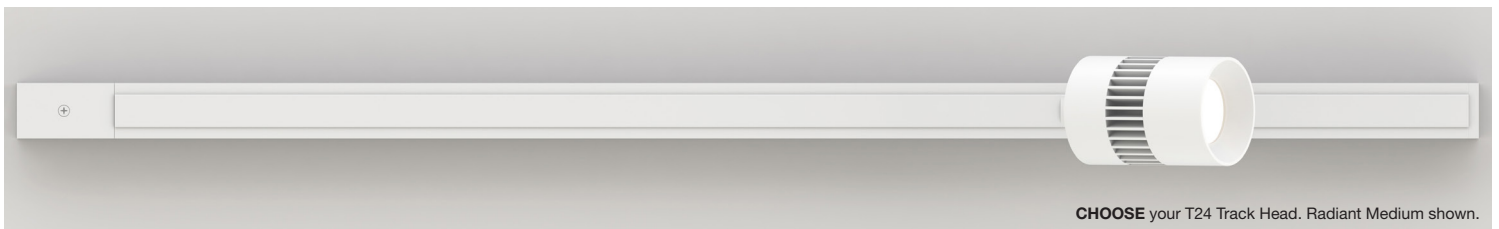


TS24 TRACK SURFACE

SINGLE CIRCUIT, 24VDC **LIMITED QUANTITIES, CALL FOR AVAILABILITY**



CHOOSE your T24 Track Head. Radiant Medium shown.



DESCRIPTION

The TS24 Track Surface Mount is designed with a 24VDC remote power supply and minimal track heads giving it a refined appearance. The Single Circuit Track comes with a plastic slot cover that hides the #10 AWG copper conductor allowing the system to blend into the ceiling. Offered in various lengths and can be cut in the field. The T24 Track Heads offer the latest in LED technology including Warm Dim.

FEATURES

- Designed for use with 24VDC Universal Remote Power Supplies up to 40' away
- Remote Power Supply, and minimal Track Heads create a refined architectural aesthetic
- Track Heads allow you to easily adjust the fixture direction, tilt and rotation with one hand
- Track Heads are available in five color temperatures including Warm Dim (30D) that dims from 3000K down to 1800K
- Track Head Lumen Output up to 1256 Lumens with multiple fixed and adjustable beam spread options
- Designer-grade Color Rendering 95CRI
- Power Feeds may be ordered in End and Center, up to 100 Watts before re-feeding, 200 Watts with Center Feed
- TS24 Track Surface Mount is available in 2', 4', 6' and 8' lengths, with the ability to be cut in the field
- Opaque white cover is included to conceal the track slot
- 10 Gauge busbar helps to eliminate voltage drop

FINISH & MATERIAL

	
BK Black Powder Paint	WH Warm White Powder Coat RAL 9010

- Extruded Aluminum Channel and a pair of #10 Gauge copper busbar conductors

INTEGRAL LED LAMP

- Warm Dim: 30D (3000K-1800K)
- Standard Dim: 24K, 27K, 30K, & 35K
- 50,000 Hour Lamp Life

REMOTE POWER SUPPLIES*, DIMMERS & CONTROLS (SOLD SEPARATELY)

24VDC, Class 2 wiring

- [Uni Trim Power Supply](#) Universal Dimming (TRIAC, ELV, 0-10V) ELV & TRIAC [Smart Dimmer & Switch](#)

APPLICATIONS

Suitable for damp or dry location. Interior use only

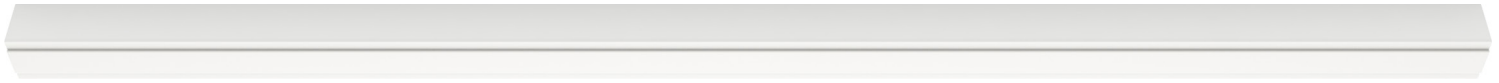
WARRANTY / LABELS

5 year warranty. Assembled in America
ETL (Conforms to UL 2018 and CSA 22.2 #250.0)

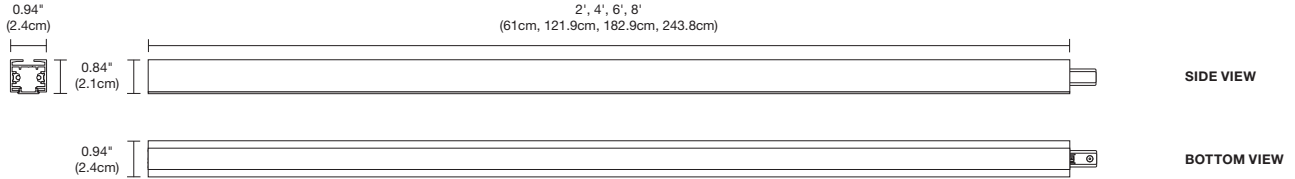
PROJECT	FIXTURE TYPE	DATE
---------	--------------	------

TS24 TRACK SURFACE

SINGLE CIRCUIT, 24VDC



SINGLE CIRCUIT SURFACE 24VDC TRACK



SINGLE CIRCUIT TRACK

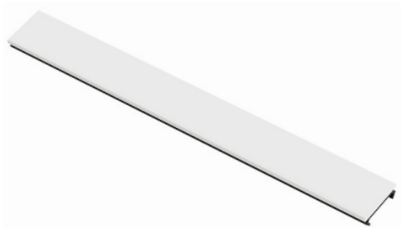
Made of extruded Aluminum Channel, #10 Gauge Round Copper Bus Bar to help eliminate voltage drop and is designed for use with 24VDC Remote Power Supply, sold separately. Includes Opaque Covers for Track Slot, two End Caps, Anchors, and Screws.

System	Circuit	Length in Feet	Finish
TS24	1C	8FT	WH
TS24 Track Surface Mount 24VDC	1C Single Circuit	2FT 2' 4FT 4' 6FT 6' 8FT 8'	WH Warm White Powder Coat RAL 9010 BK Black Powder Paint

**LIMITED QUANTITIES, CALL FOR AVAILABILITY*

OPAQUE SLOT COVER (INCLUDED)

Included with each Track is a Plastic Slot Cover.

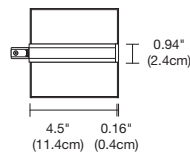


System	Type	Length in Feet	Finish
T24	SCO	8FT	WH
T24 Track Recessed 24VDC	SCO Opaque Cover for Track Slot	8FT 8'	WH Warm White Powder Coat RAL 9010 BK Black

**LIMITED QUANTITIES, CALL FOR AVAILABILITY*

COMPONENTS Power Feeds

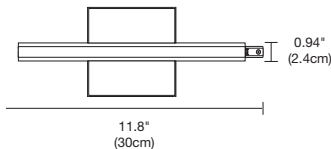
END POWER FEED



System	Type	Canopy	Power Supply	Finish
TS24	EP1	4SQ	RT	WH
TS24 Track Surface Mount 24VDC	EP1 End Power Feed, Single Circuit, up to 100 Watts	4SQ 4" Square, Standard 2.5" deep Electrical Junction Box for Remote Power Supply	RT 24VDC Remote Power Supply (Not Included)	WH Warm White Powder Coat RAL 9010 Cover BK Black Cover

**LIMITED QUANTITIES, CALL FOR AVAILABILITY*

CENTER POWER FEED



System	Type	Canopy	Power Supply	Finish
TS24	CP1	4SQ	RT	WH
TS24 Track Surface Mount 24VDC	CP1 Center Power Feed, Single Circuit Dual Feed, up to 2x100 Watts CPD Dual Connector, 2x100 Watts	4SQ 4" Square, Standard 2.5" deep Electrical Junction Box for Remote Power Supply	RT 24VDC Remote Power Supply (Not Included)	WH Warm White Powder Coat RAL 9010 Cover BK Black Cover

**LIMITED QUANTITIES, CALL FOR AVAILABILITY*

CONDUIT FEED



TS24-EP1-4FTC-WH



TS24-EP1-C0N-WH

System	Type	Canopy	Finish
TS24	EP1	CON	WH
TS24 Track Surface Mount 24VDC	EP1 End Power Feed, Single Circuit, up to 200 Watts	CON 1/2" Conduit Feed Connector 4FTC 4' #14Ga Plenum Rated Cable	WH Warm White Powder Coat RAL 9010 BK Black

**LIMITED QUANTITIES, CALL FOR AVAILABILITY*

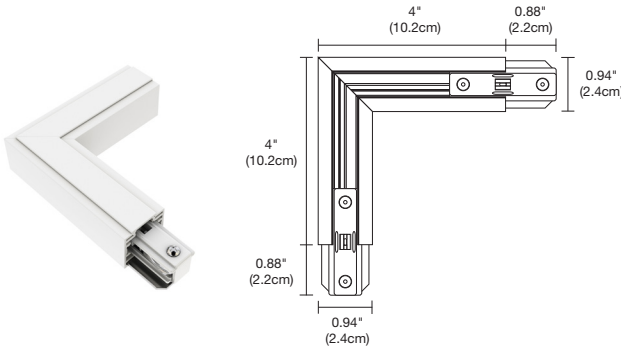
PROJECT	FIXTURE TYPE	DATE
---------	--------------	------

TS24 TRACK SURFACE

SINGLE CIRCUIT, 24VDC

REV 04.07.25

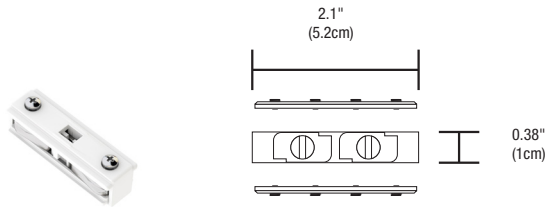
COMPONENTS Connectors, End Cap, & Mounting Clips



L-CONNECTOR

Conductive or Non-Conductive L-Connector joins two straight Track Surface Channels together to make a 90° angle. Order Non-Conductive when adding two Power Supplies in a square configuration.

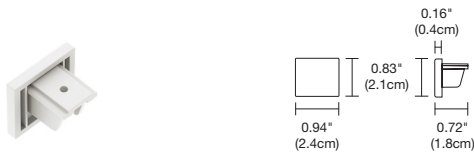
System	Type	Ceiling Type	Finish
TS24	1C	LC	WH
TS24 Track Surface Mount 24VDC	1C Single Circuit	LC L-Connector Conductive LNC L-Connector Non-Conductive	WH Warm White Powder Coat RAL 9010 with White Cover BK Black with Black Cover <i>*LIMITED QUANTITIES, CALL FOR AVAILABILITY</i>



STRAIGHT CONNECTOR

Miniature Straight Connector joins two Track sections end to end and may be covered by the Plastic Insert.

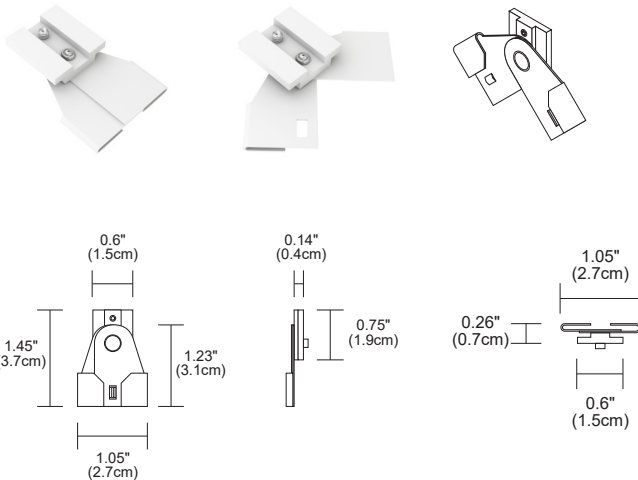
System	Type
T24	ILSC
T24 Track 24VDC	ILSC In-line Connector Conductive - Joiner <i>*LIMITED QUANTITIES, CALL FOR AVAILABILITY</i>



END CAP

Need to order with each dead end of TS24 Track System.

System	Type	Fixture	Finish
TS24	1C	CA	WH
TS24 Track Surface Mount 24VDC	1C Single Circuit	CA End Cap	WH Warm White Powder Coat RAL 9010 Cover BK Black Cover <i>*LIMITED QUANTITIES, CALL FOR AVAILABILITY</i>



TRACK SURFACE T-BAR CEILING MOUNTING CLIP (FOR 1" WIDE T-BAR)

Order 1 for every 2ft of TS24 Track.

System	Type	Ceiling	Finish
T24	MCL	TB1	WH
T24 Track 24VDC	MCL Mounting Clip	TB1 1" Wide T-Bar	WH Warm White Powder Coat RAL 9010 BK Black

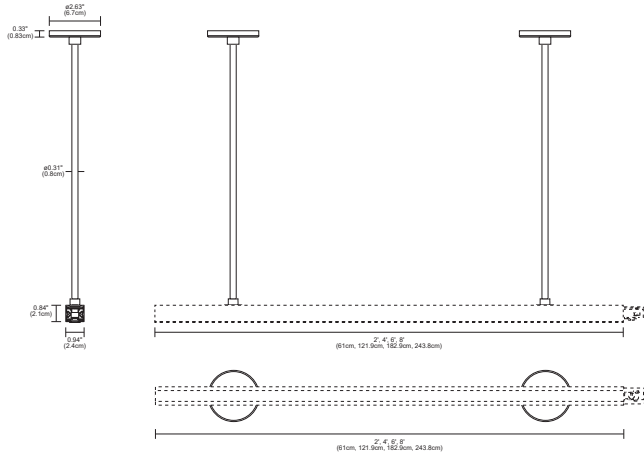
PROJECT	FIXTURE TYPE	DATE
---------	--------------	------

TS24 TRACK SURFACE

SINGLE CIRCUIT, 24VDC

REV 04.07.25

STEM MOUNT Components



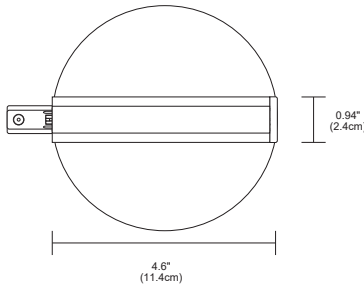
STEMS WITHOUT POWER

The TS24 Stem Mount allows the TS24 track system to be suspended from a ceiling. Available in sizes from 4" to 48". Black or White Finish Options, 4" Round Canopy or 2" Round canopy. Custom sizes are available upon request.

System	Suspension Type	Canopy	Size	Finish
TS24	STM	2R	36	WH
TS24 Track Surface Mount 24VDC	STM Stem Mount	2R 2" Round Canopy 4R 4" Round Canopy	4 4" 6 6" 12 12" 14 14" 18 18" 24 24" 30 30" 36 36" 48 48"	WH Warm White Powder Coat RAL 9010 BK Black <i>*LIMITED QUANTITIES, CALL FOR AVAILABILITY</i>

STEM END FEED WITH POWER

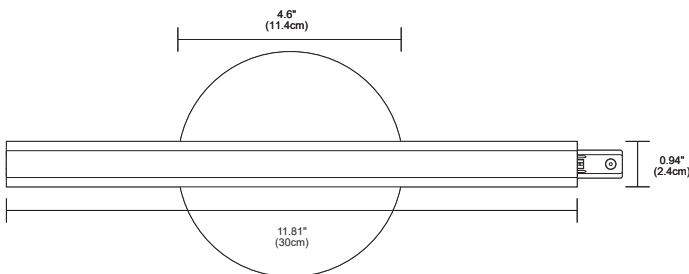
The TS24 End Feed Stem Mount Single Circuit With Power allows the TS24 track to be suspended and powered from a ceiling up to 40' away. Stem lengths available in sizes from 4" to 48". with choice of 4.6" Round canopy that fits on a standard J box or 2.6" Round Canopy for new construction that come with its own 2" Jbox plaster ring. Black or White Finish Options. Custom sizes are available upon request.



System	Type	Suspension Type	Canopy	Size	Finish
TS24	EP1	STM	2R	36	WH
TS24 Track Surface Mount 24VDC	EP1 End Feed Power Single Circuit	STM Stem Mount	2R 2" Round Canopy 4R 4" Round Canopy	4 4" 6 6" 12 12" 14 14" 18 18" 24 24" 30 30" 36 36" 48 48"	WH Warm White Powder Coat RAL 9010 BK Black <i>*LIMITED QUANTITIES, CALL FOR AVAILABILITY</i>

STEM CENTER FEED WITH POWER

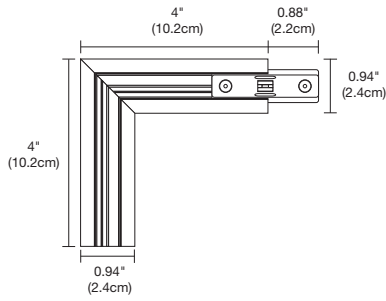
The TS24 Center Feed Stem Mount Single Circuit With Power allows the TS24 track to be suspended and powered from a ceiling up to 40' away, with remote power supply. Stem lengths available in sizes from 4" to 48". With choice of 4.6" Round canopy that fits on a standard J box or 2.6" Round Canopy for new construction that come with its own 2" Jbox plaster ring. Black or White Finish Options. Custom sizes are available upon request.



System	Type	Suspension Type	Size	Finish
TS24	CP1	STM	36	WH
TS24 Track Surface Mount 24VDC	CP1 Center Feed Power Single Circuit	STM Stem Mount	4 4" 6 6" 12 12" 14 14" 18 18" 24 24" 30 30" 36 36" 48 48"	WH Warm White Powder Coat RAL 9010 BK Black <i>*LIMITED QUANTITIES, CALL FOR AVAILABILITY</i>

PROJECT	FIXTURE TYPE	DATE
---------	--------------	------

STEM MOUNT Components



STEM L CONNECTOR WITH POWER

The TS24 Feed Stem Mount Single L Connector Single Circuit With Power allows the TS24 track to be suspended and powered from a ceiling up to 40' away with remote power supply. Stem lengths available in sizes from 4" to 48" with choice of 4.6" Round canopy that fits on a standard J box or 2.6" Round Canopy for new construction that come with its own 2" Jbox plaster ring. Black or White Finish Options. Custom sizes are available upon request.

System	Type	Suspension Type	Canopy	Size	Finish
TS24	LP1	STM	2R	36	WH
TS24 Track Surface Mount 24VDC	LP1 L Connector Single Circuit Power Feed L1 L Connector	STM Stem Mount	2R 2" Round Canopy 4R 4" Round Canopy	4 4" 6 6" 12 12" 14 14" 18 18" 24 24" 30 30" 36 36" 48 48"	WH Warm White Powder Coat RAL 9010 BK Black <i>*LIMITED QUANTITIES, CALL FOR AVAILABILITY</i>

PROJECT	FIXTURE TYPE	DATE
---------	--------------	------

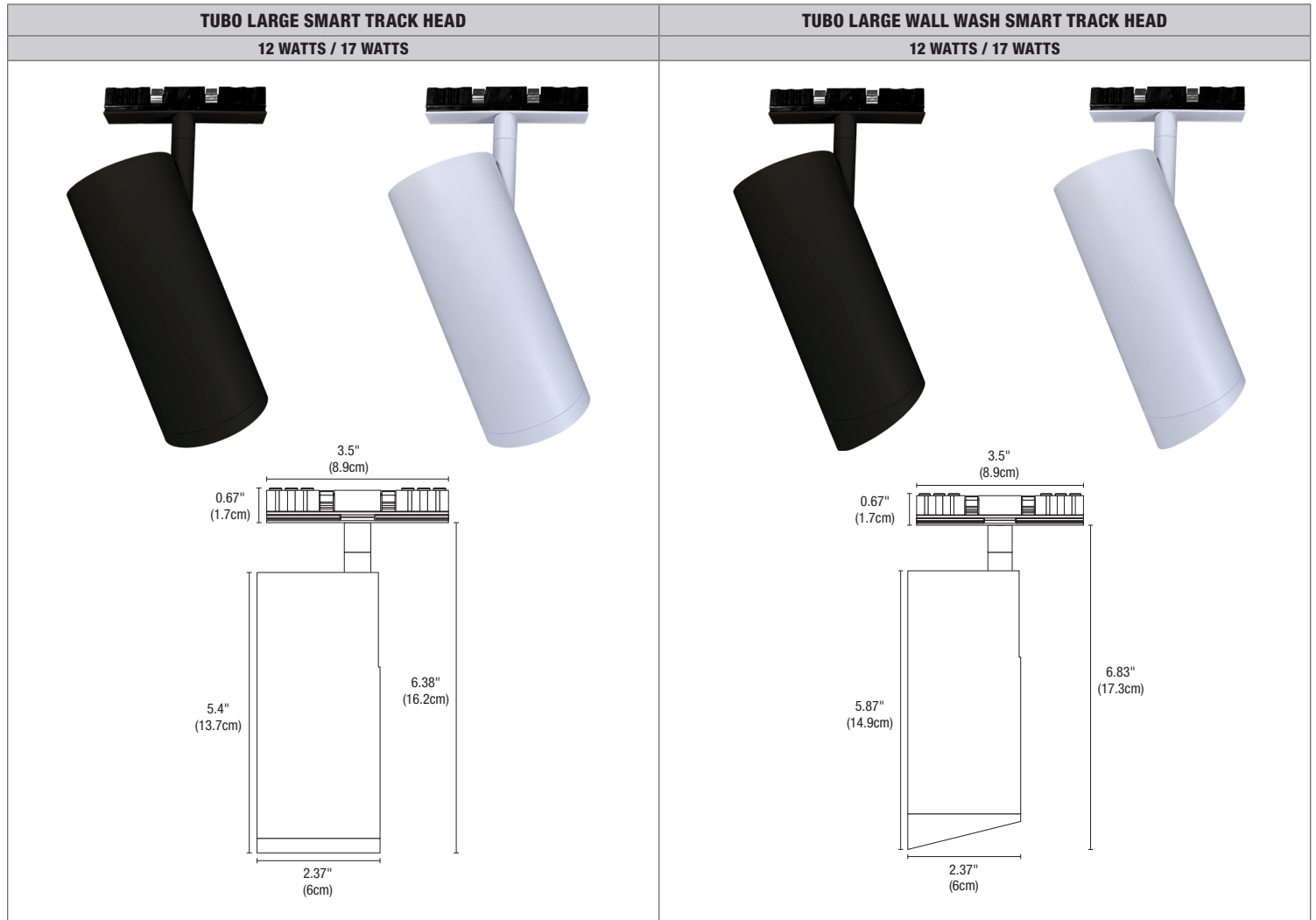
T24M TRACK HEADS, 2 CIRCUIT MAGNETIC

24VDC WITH INTEGRATED LED, STATIC WHITE & WARM DIM TECHNOLOGY

REV 04.07.25

PureEdge T24M Track Heads are Compatible with TruTrack® Magnetic (TR24M-2C). All uniform beam spread options are field changeable. See accessories page for more information.

Pure Smart™ TruColor™ RGBTW



System	Type	Fixture	Wattage	Beam Spread Lens	Control	Color Temperature	Finish
T24M	2C	TU2L	12W	NF	WZ	TC	BK
T24M Track Head 24V Magnetic Connector	2C 2 Circuit	TU2L Tubo Large 2	12W 12 Watts	SP' Spot 16° NF Narrow Flood 30° FL' Flood 35° WF Wide Flood 45° WW Wall Wash *Has Aura Effect without diffusion film	WZ WIZ Smart Control	TC TruColor™ RGBTW Red, Green, Blue & Tunable White 1500K- 6500K	BK Black Powder Coat WH Warm White Powder Coat RAL 9010

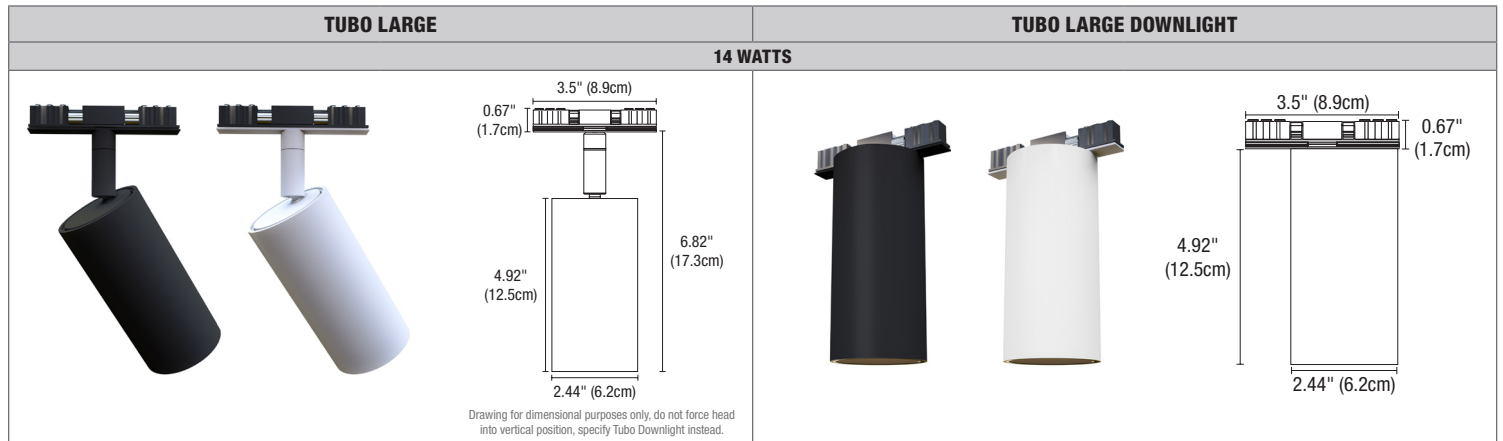
WATTS	12W										17W									
	20K	22K	24K	27K	30K	35K	40K	57K	65K	20K	22K	24K	27K	30K	35K	40K	57K	65K		
COLOR TEMPERATURE	445	462	507	596	670	737	751	596	494	830	862	962	1130	1271	1401	1531	1307	1082		
LUMENS	44	44	47	52	56	61	64	60	56	64	62	65	72	79	87	96	93	82		
LUMENS PER WATT (lm/w)	86.7	88.3	89.7	93.2	95.2	96.8	96.7	93.9	91.6	86.4	88.4	91.8	94.7	95.9	97.3	96.5	94.8	93.3		
CRI	-0.0027	-0.0011	-0.0019	-0.0022	-0.0023	-0.0005	-0.0005	-0.0041	-0.0036	0.0026	0.0026	0.0026	0.0033	0.0037	0.0024	0.0008	0.0024	0.0006		
Duv	87	88	90	93	94	94	93	93	91	88	89	92	94	95	95	94	93	92		
Rf	104	101	103	103	103	101	100	105	106	105	105	105	104	104	103	100	105	105		
Rg	91	92	90	94	97	98	94	80	66	84	86	92	97	97	98	85	90	83		
R9	83	85	87	91	93	96	96	93	92	82	85	89	93	94	96	99	96	96		
R13	92	93	93	95	96	97	95	91	88	90	91	93	96	96	97	96	94	93		
R15	10	11	11	12	12	12	12	10	9	13	14	15	16	16	16	16	14	13		
WATTS																				

PROJECT	FIXTURE TYPE	DATE
---------	--------------	------

T24M TRACK HEADS, 2 CIRCUIT MAGNETIC

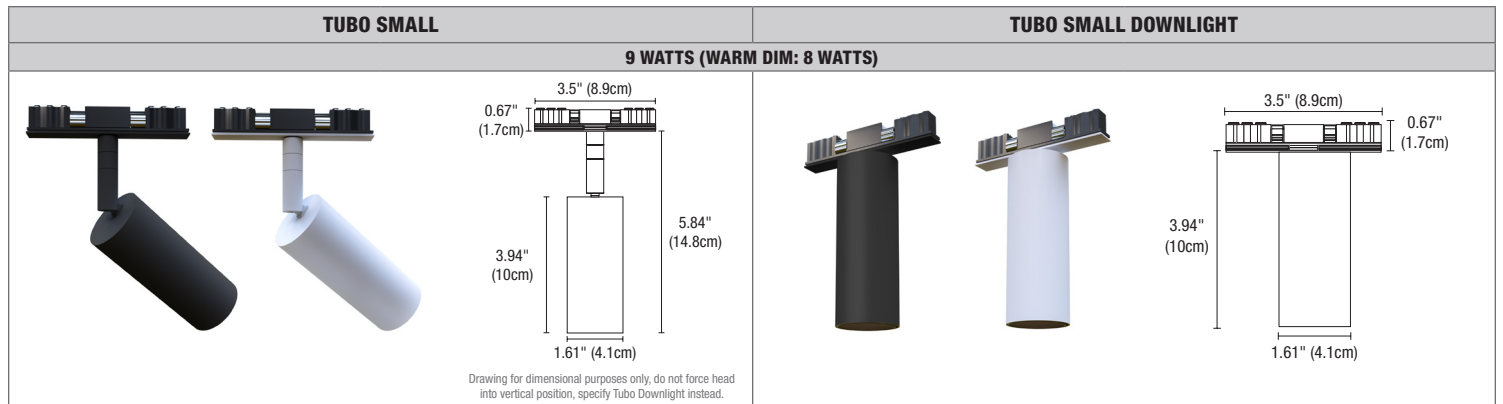
24VDC WITH INTEGRATED LED, STATIC WHITE & WARM DIM TECHNOLOGY

PureEdge T24M Track Heads are Compatible with Surface/Suspended Magnetic track (TS24M-2C) and TruTrack® Trim (TTR24M). All uniform beam spread options are field changeable. See accessories page for more information.



System	Type	Fixture	Beam Spread	Color Temperature	Finish
T24M	2C	TUBL	FL	30K	WH
T24M Track Head 24V Magnetic Connector	2C 2 Circuit	TUBL Tubo Large TUBLD Tubo Large Downlight	NS* Narrow Spot 10° SP Spot 20° NF Narrow Flood 35° FL Flood 45° WF Wide Flood 60° For 7° use STB16 snoot with NS	24K 2400K Very Warm White 27K 2700K Incandescent White 30K 3000K Warm White 30D 3000D Warm Dim 35K 3500K Neutral White 30D NS: 7.5W 400 lumens	BK Black Powder Coat WH Warm White Powder Coat RAL 9010

COLOR TEMPERATURE	BEAM ANGLE REFERENCE 45°				
	24K	27K	30K	30D	35K
TOTAL LUMENS	1238	1035	1069	683	1268
WATTS	14	14	14	14	14
LUMENS PER WATT (lm/w)	88	74	76	49	91
CRI	97	92	91	97	98
TM-30 DATA	R9: 60 Rf: 93 Rg: 98	R9: 97 Rf: 92 Rg: 100	R9: 64 Rf: 91 Rg: 98	R9: 90 Rf: 95 Rg: 102	R9: 92 Rf: 94 Rg: 101



System	Type	Fixture	Beam Spread	Color Temperature	Finish
T24M	2C	TUBS	FL	30K	WH
T24M Track Head 24V Magnetic Connector	2C 2 Circuit	TUBS Tubo Small TUBSD Tubo Small Downlight	NS Narrow Spot 15° SP Spot 25° NF Narrow Flood 35° FL Flood 45° WF Wide Flood 60° For 7° use TUBS-ST snoot with NS	24K 2400K Very Warm White 27K 2700K Incandescent White 30K 3000K Warm White 30D 3000D Warm Dim 35K 3500K Neutral White	BK Black Powder Coat WH Warm White Powder Coat RAL 9010

COLOR TEMPERATURE	BEAM ANGLE REFERENCE 45°				
	24K	27K	30K	30D	35K
TOTAL LUMENS	503	420	434	287	515
WATTS	9	9	9	8	9
LUMENS PER WATT (lm/w)	59	49	51	39	61
CRI	97	92	93	94	98
TM-30 DATA	R9: 60 Rf: 93 Rg: 98	R9: 97 Rf: 92 Rg: 100	R9: 64 Rf: 91 Rg: 98	R9: 90 Rf: 95 Rg: 102	R9: 92 Rf: 94 Rg: 101

All track heads with the exception of Tubo Wall Wash and Zoom are JA8 listed with universal power supplies in 27K CCT. Click the link to access our full Title 24 compliance listings: pureedgelighting.com/resources

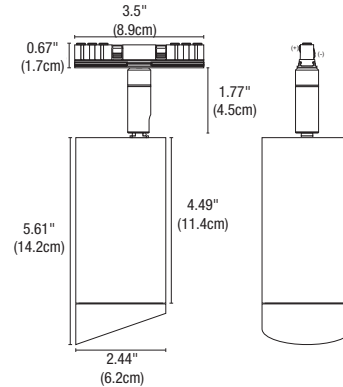
PROJECT		FIXTURE TYPE		DATE	
---------	--	--------------	--	------	--

T24M TRACK HEADS, 2 CIRCUIT MAGNETIC

24VDC WITH INTEGRATED LED, STATIC WHITE & WARM DIM TECHNOLOGY

TUBO LARGE WALL WASH

15 WATTS

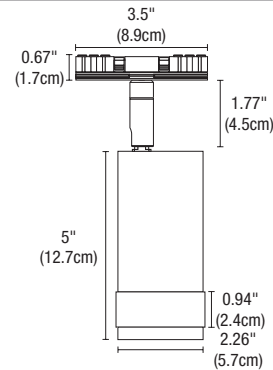


System	Type	Fixture	Beam Spread	Color Temperature	Finish
T24M	2C	TUBL	WW	30K	BK
T24M Track Head 24V Magnetic Connector	2C 2 Circuit	TUBL Tubo Large	WW Wall Wash	24K 2400K Very Warm White 27K 2700K Incandescent White 30K 3000K Warm White 30D 3000K Warm Dim to 1800K 35K 3500K Neutral White	BK Black Powder Coat WH Warm White Powder Coat RAL 9010

TUBO WALL WASH	
COLOR TEMPERATURE	30K
TOTAL LUMENS	884
WATTS	15
LUMENS PER WATT (lm/w)	59
CRI	92
TM-30 DATA	R9: 61.2 Rf: 92 Rg: 100

ZOOM

16 WATTS



System	Type	Fixture	Beam Spread	Color Temperature	Finish
T24M	2C	ZOOM	Z2	30K	BK
T24M Track Head 24V Magnetic Connector	2C 2 Circuit	ZOOM Zoom	Z1 Zoom Adjust 15° to 55° Z2 Zoom Adjust 20° to 50°	24K 2400K Very Warm White 27K 2700K Incandescent White 30K 3000K Warm White 30D 3000K Warm Dim to 1800K* 35K 3500K Neutral White *Only available for Z2	BK Black Powder Coat WH Warm White Powder Coat RAL 9010

	Z1		Z2		Z2	
BEAM ANGLE	15°	55°	20°	50°	20°	50°
COLOR TEMPERATURE	30K	30K	30K	30K	30D	30D
TOTAL LUMENS	686	873	795	1188	727	879
WATTS	16	16	16	16	15	15
LUMENS PER WATT (lm/w)	46	61	69	89	50	61
CRI	93	93	94	94	97	97
TM-30 DATA	R9: 66 Rf: 92 Rg: 101	R9: 66 Rf: 92 Rg: 101	R9: 74 Rf: 92 Rg: 102	R9: 74 Rf: 92 Rg: 102	R9: 66 Rf: 94 Rg: 101	R9: 66 Rf: 94 Rg: 101

PROJECT		FIXTURE TYPE		DATE	
---------	--	--------------	--	------	--

T24M TRACK HEADS, 2 CIRCUIT MAGNETIC

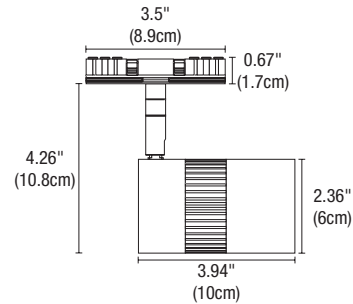
24VDC WITH INTEGRATED LED, STATIC WHITE & WARM DIM TECHNOLOGY

REV 04.07.25

All uniform beam spread options are field changeable.

RADIANT LARGE

14 WATTS



System	Type	Fixture	Beam Spread	Color Temperature	Finish
T24M	2C	RADL	FL	30K	WH

T24M Track Head 24V Magnetic Connector **2C** 2 Circuit **RADL** Radiant Large

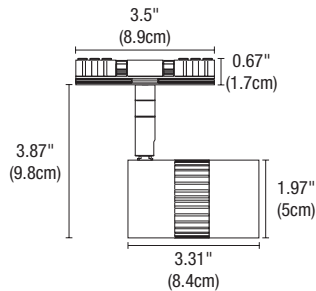
NS Narrow Spot 10° **24K** 2400K Very Warm White **BK** Black Powder Coat
SP Spot 20° **27K** 2700K Incandescent White **WH** Warm White Powder Coat RAL 9010
NF Narrow Flood 35° **30K** 3000K Warm White
FL Flood 45° **30D** 3000D Warm Dim*
WF Wide Flood 60° **35K** 3500K Neutral White
Warm Dim: **NS** (15°), *Not available in NF
SP (25°)

BEAM ANGLE REFERENCE 45°

	24K	27K	30K	30D	35K
COLOR TEMPERATURE	24K	27K	30K	30D	35K
TOTAL LUMENS	1389	1161	1199	838	1422
WATTS	14	14	14	14	14
LUMENS PER WATT (lm/w)	99	83	86	58	102
CRI	97	92	93	97	98
TM-30 DATA	R9: 60 Rf: 93 Rg: 98	R9: 97 Rf: 92 Rg: 100	R9: 64 Rf: 91 Rg: 98	R9: 90 Rf: 95 Rg: 102	R9: 92 Rf: 94 Rg: 101

RADIANT MEDIUM

11 WATTS (WARM DIM: 8 WATTS)



System	Type	Fixture	Beam Spread	Color Temperature	Finish
T24M	2C	RADM	FL	30K	WH

T24M Track Head 24V Magnetic Connector **2C** 2 Circuit **RADM** Radiant Medium

SP Spot 20° **24K** 2400K Very Warm White **BK** Black Powder Coat
NF Narrow Flood 35° **27K** 2700K Incandescent White **WH** Warm White Powder Coat RAL 9010
FL Flood 45° **30K** 3000K Warm White
WF Wide Flood 60° **30D** 3000D Warm Dim
35K 3500K Neutral White

BEAM ANGLE REFERENCE 45°

	24K	27K	30K	30D	35K
COLOR TEMPERATURE	24K	27K	30K	30D	35K
TOTAL LUMENS	765	639	660	360	783
WATTS	11	11	11	8	11
LUMENS PER WATT (lm/w)	70	58	64	47	76
CRI	97	92	93	93	98
TM-30 DATA	R9: 97 Rf: 92 Rg: 100	R9: 64 Rf: 91 Rg: 98	R9: 90 Rf: 95 Rg: 102	R9: 92 Rf: 94 Rg: 101	R9: 92 Rf: 94 Rg: 101

PROJECT	FIXTURE TYPE	DATE
---------	--------------	------

T24M TRACK HEADS, 2 CIRCUIT MAGNETIC


24VDC WITH INTEGRATED LED, STATIC WHITE & WARM DIM TECHNOLOGY


MATERIAL	Extruded Aluminum	FREQUENCY	50/60HZ	APPLICATION	Suitable for dry locations. Indoor use only.	COMPLIANCE LABEL	ETL to UL 2108 Standard
INPUT VOLTAGE	24VDC	POWER FACTOR	> 0.90	DIMMING & FLICKER	0-10V dimming Flicker less than 2%	LED LAMP LIFE	60,000 Hours

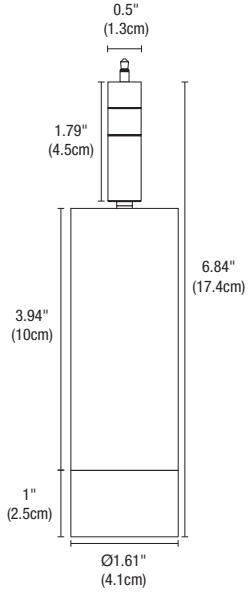
All track heads with the exception of Tubo Wall Wash and Zoom are JA8 listed with universal power supplies in 27K+ CCT. Click the link to access our full Title 24 compliance listings: pureedgelighting.com/resources.

TUBO SMALL NARROW SPOT (NS) 30D WARM DIM WITH SNOOT DETAIL

WARM DIM: 8 WATTS







*Snoot is included in ordering code & required for use

PROJECT	FIXTURE TYPE	DATE
---------	--------------	------

T24M TRACK HEADS, 2 CIRCUIT MAGNETIC

24VDC WITH INTEGRATED LED, STATIC WHITE & WARM DIM TECHNOLOGY

Additional Lenses and Accessories

REV 04.07.25

TUBO LARGE LENS		SNOOT		LOUVER	FOCUS LENS	LINEAR SPREAD FILM	
ORDERING CODE	STATIC WHITE LEN-TUBL-NS-SW LEN-TUBL-SP-SW LEN-TUBL-NF-SW LEN-TUBL-FL-SW LEN-TUBL-WF-SW	WARM DIM LEN-TUBL-SP-WD LEN-TUBL-NF-WD LEN-TUBL-FL-WD LEN-TUBL-WF-WD	STB16-BK STB16-WH (WHITE SHELL)	ST16-BK ST16-WH	L016-H	LF-TUBL-SF (SOFT FOCUS), MF (MEDIUM FOCUS), WF (WIDE FOCUS)	LF-TUBL-LS
LENS SIZE	2" (50mm) Diameter						
BEAM SPREADS	NS (10°), SP (20°), NF (35°) FL (45°), WF (60°)		Conical snoot creates a 7° Beam spread and is designed to reduce spill and control glare. Spun aluminum.	Snoot is designed to reduce spill and control glare. Spun aluminum.	Hexcell louver eliminates glare. 0.125" Thickness.	Soft focus lens is included with every track head. Diffuses the beam, providing uniform illumination.	Linear spread film: directs the light into an elongated beam. Typical applications using 10°, 15°, 25° include illuminating landscape oriented art. 35°, 40°, 60° create an elongated oval typically used for wall washing.

TUBO SMALL LENS		SNOOT		LOUVER	FOCUS LENS	LINEAR SPREAD FILM	
ORDERING CODE	STATIC WHITE LEN-TUBS-NS-SW LEN-TUBS-SP-SW LEN-TUBS-NF-SW LEN-TUBS-FL-SW LEN-TUBS-WF-SW	WARM DIM LEN-TUBS-SP-WD LEN-TUBS-NF-WD LEN-TUBS-FL-WD LEN-TUBS-WF-WD	TUBS-ST-BK TUBS-ST-WH (WHITE SHELL)		L011-H	LF-TUBS-SF (SOFT FOCUS), MF (MEDIUM FOCUS), WF (WHITE FOCUS)	LF-TUBS-LS
LENS SIZE	1.37" (35mm) Diameter						
BEAM SPREADS	NS (15°), SP (25°), NF (35°), FL (45°), VW (75°)		Conical snoot creates a 7° Beam spread and is designed to reduce spill and control glare. Spun aluminum.		Hexcell louver eliminates glare. 0.125" Thickness.	Soft focus lens is included with every track head. Diffuses the beam, providing uniform illumination.	Linear spread film: directs the light into an elongated beam. Typical applications using 10°, 15°, 25° include illuminating landscape oriented art. 35°, 40°, 60° create an elongated oval typically used for wall washing.

RADIANT LARGE LENS		SNOOT		LOUVER	FOCUS LENS	LINEAR SPREAD FILM	
ORDERING CODE	STATIC WHITE LEN-RADL-NS-SW LEN-RADL-SP-SW LEN-RADL-NF-SW LEN-RADL-FL-SW LEN-RADL-WF-SW	WARM DIM LEN-RADL-NS-WD LEN-RADL-SP-WD LEN-RADL-FL-WD LEN-RADL-WF-WD	STB16-BK STB16-WH (WHITE SHELL)		L016-H	LF-RADL-SF (SOFT FOCUS), MF (MEDIUM FOCUS), WF (WIDE FOCUS)	LF-RADL-LS
LENS SIZE	2" (50mm) Diameter						
BEAM SPREADS	NS (10°), SP (20°), NF (35°), FL (45°), WF (60°)	NS (15°), SP (25°), FL (45°), WF (60°)	Conical snoot creates a 7° Beam spread and is designed to reduce spill and control glare. Spun aluminum.		Hexcell louver eliminates glare. 0.125" Thickness.	Soft focus lens is included with every track head. Diffuses the beam, providing uniform illumination.	Linear spread film: directs the light into an elongated beam. Typical applications using 10°, 15°, 25° include illuminating landscape oriented art. 35°, 40°, 60° create an elongated oval typically used for wall washing.

RADIANT MEDIUM LENS		LOUVER	FOCUS LENS	LINEAR SPREAD FILM
ORDERING CODE	STATIC WHITE LEN-RADM-SP-SW LEN-RADM-NF-SW LEN-RADM-FL-SW LEN-RADM-WF-SW	L011-H	LF-RADM-SF (SOFT FOCUS) MF (MEDIUM FOCUS), WF (WIDE FOCUS)	LF-RADM-LS
LENS SIZE	1.37" (35mm) Diameter			
BEAM SPREADS	SP (20°), NF (35°), FL (45°), WF (60°)		Hexcell louver eliminates glare. 0.125" Thickness.	Soft focus lens is included with every track head. Diffuses the beam, providing uniform illumination.

PROJECT		FIXTURE TYPE		DATE	
---------	--	--------------	--	------	--

T24M TRACK HEADS, 2 CIRCUIT MAGNETIC

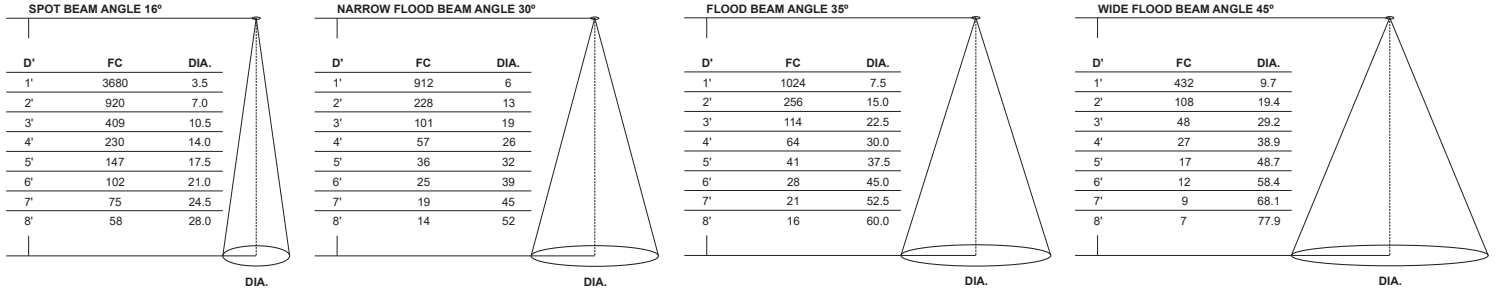
24VDC WITH INTEGRATED LED, STATIC WHITE & WARM DIM TECHNOLOGY

REV 04.07.25

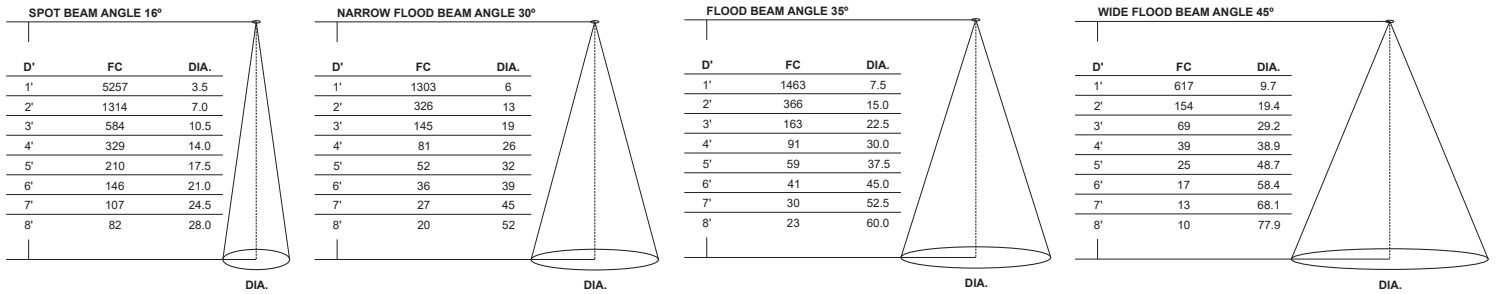
TUBO LARGE RGBTW SMART TRACKHEAD Photometric Data at 3000K

D - Distance from TUBO LARGE fixture
FC - Initial foot candles at the center of beam
DIA - Diameter

12 Watt

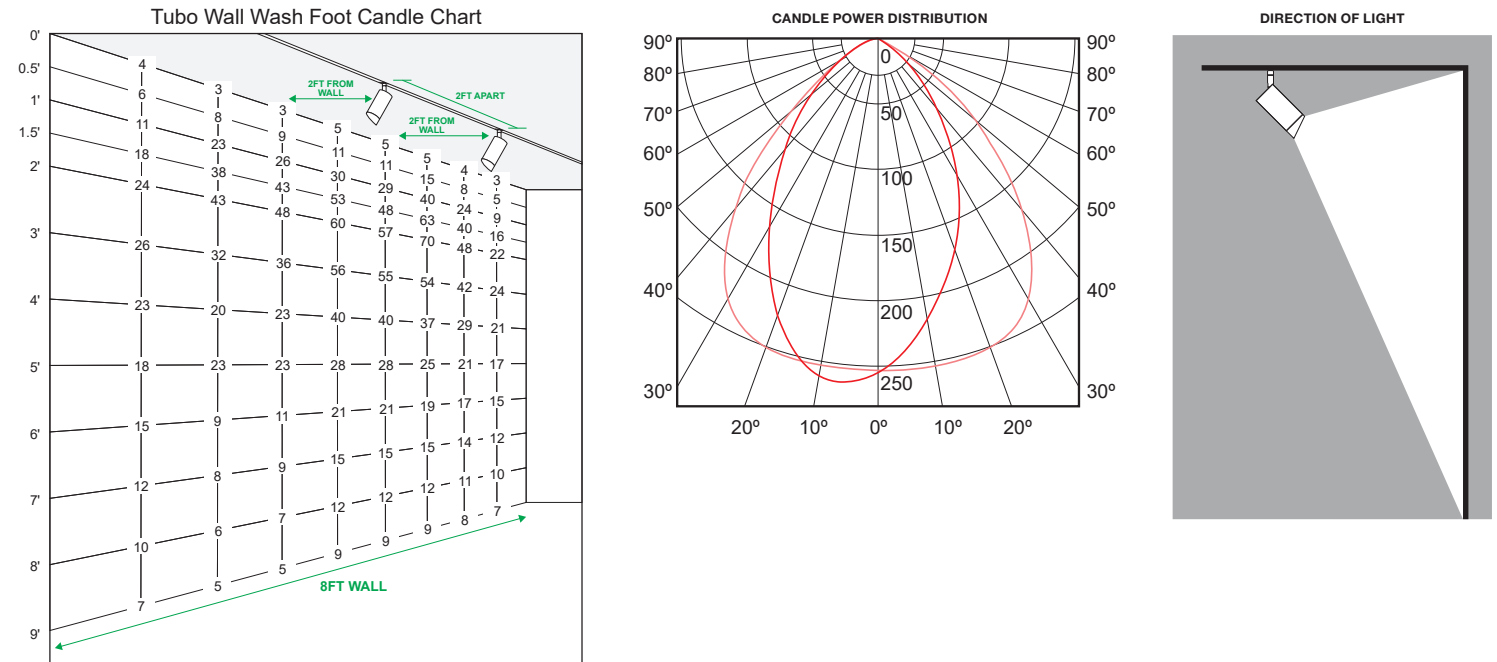


17 Watt



TUBO WALL WASH RGBTW SMART TRACKHEAD Photometric Data at 3000K

D - Distance from fixture
FC - Initial foot candles at the center of beam
DIA - Diameter



PROJECT	FIXTURE TYPE	DATE
---------	--------------	------

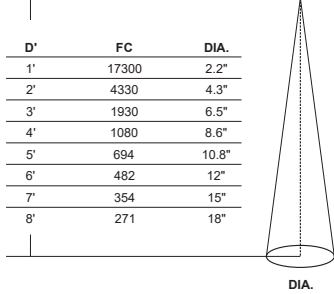
T24M TRACK HEADS, 2 CIRCUIT MAGNETIC

24VDC WITH INTEGRATED LED, STATIC WHITE & WARM DIM TECHNOLOGY

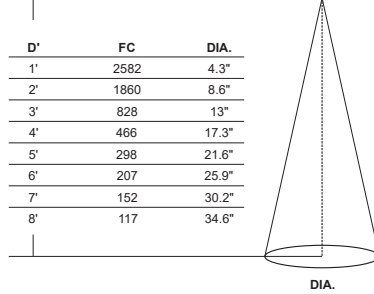
TUBO LARGE Photometric Data at 3000K

D - Distance from fixture
FC - Initial foot candles at the center of beam
DIA - Diameter

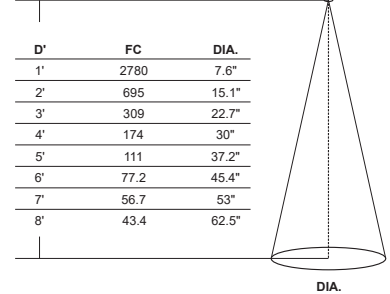
NARROW SPOT BEAM ANGLE 10°



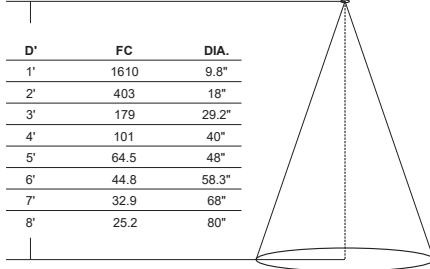
SPOT BEAM ANGLE 20°



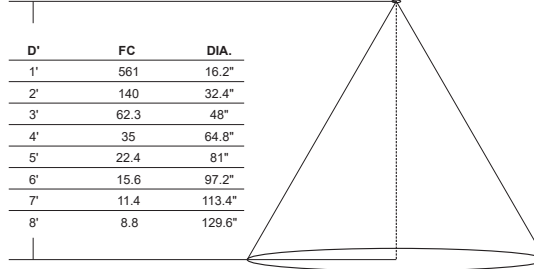
NARROW FLOOD BEAM ANGLE 35°



FLOOD BEAM ANGLE 45°



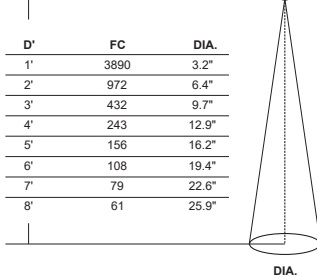
WIDE FLOOD BEAM ANGLE 60°



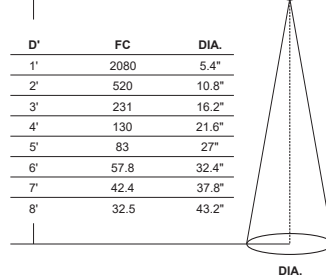
TUBO SMALL Photometric Data at 3000K

D - Distance from fixture
FC - Initial foot candles at the center of beam
DIA - Diameter

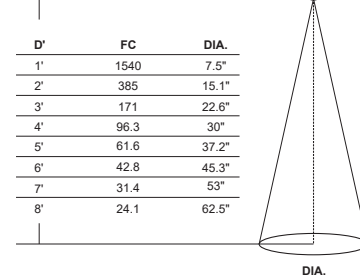
NARROW SPOT BEAM ANGLE 15°



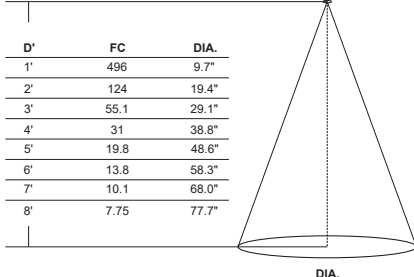
SPOT BEAM ANGLE 25°



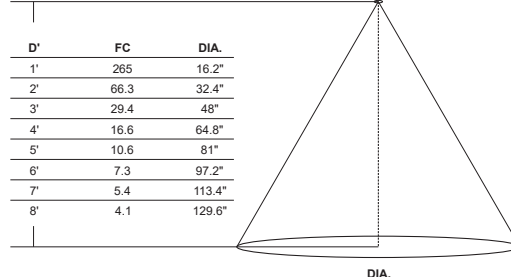
NARROW FLOOD BEAM ANGLE 35°



FLOOD BEAM ANGLE 45°



WIDE FLOOD BEAM ANGLE 60°



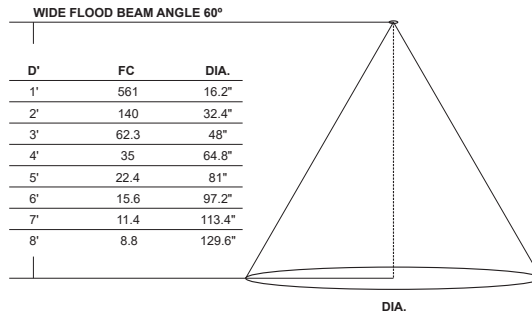
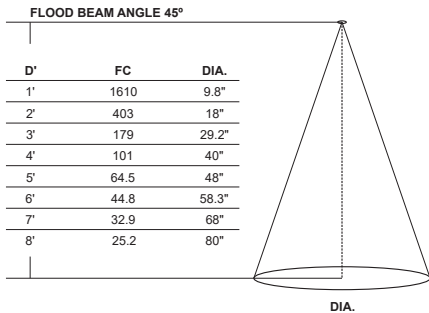
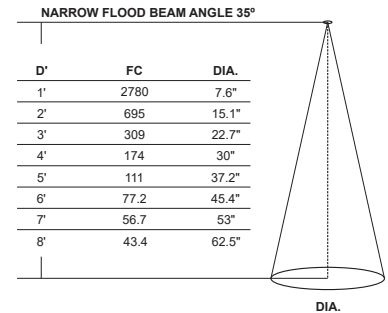
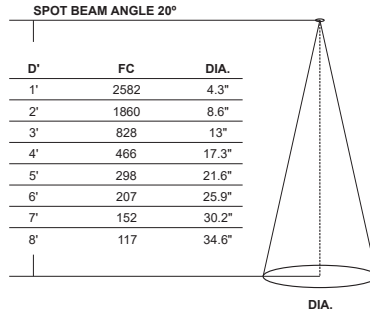
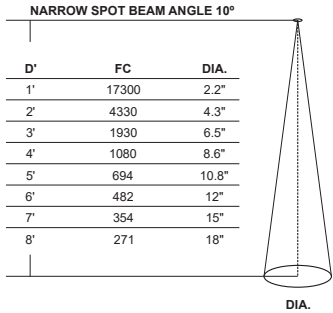
PROJECT	FIXTURE TYPE	DATE
---------	--------------	------

T24M TRACK HEADS, 2 CIRCUIT MAGNETIC

24VDC WITH INTEGRATED LED, STATIC WHITE & WARM DIM TECHNOLOGY

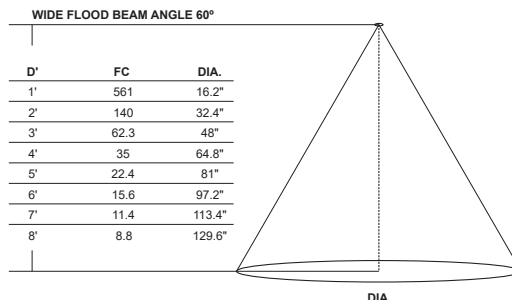
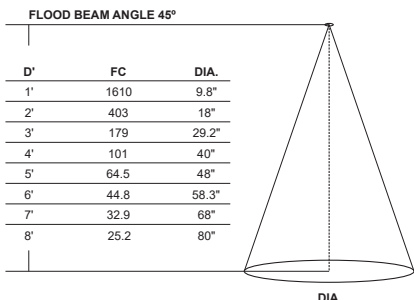
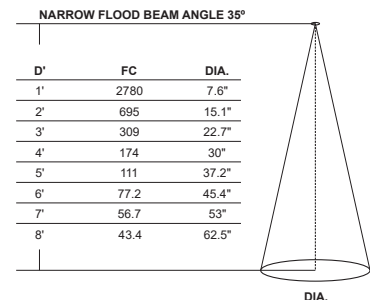
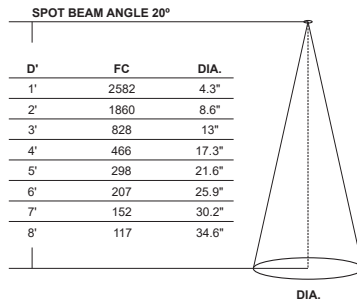
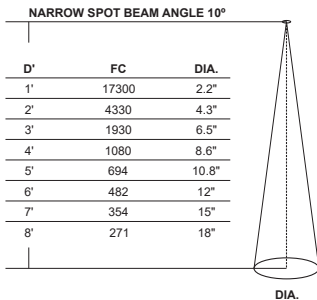
TUBO LARGE DOWNLIGHT Photometric Data at 3000K

D - Distance from fixture
FC - Initial foot candles at the center of beam
DIA - Diameter



TUBO SMALL DOWNLIGHT Photometric Data at 3000K

D - Distance from fixture
FC - Initial foot candles at the center of beam
DIA - Diameter



PROJECT	FIXTURE TYPE	DATE
---------	--------------	------

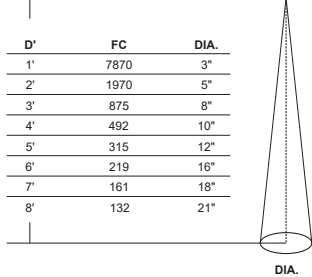
T24M TRACK HEADS, 2 CIRCUIT MAGNETIC

24VDC WITH INTEGRATED LED, STATIC WHITE & WARM DIM TECHNOLOGY

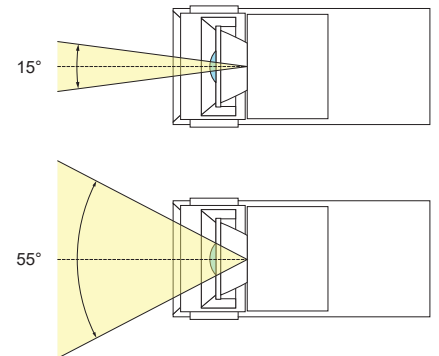
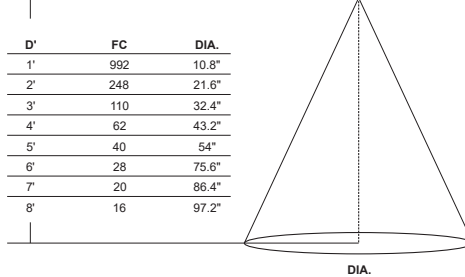
ZOOM Z1 Photometric Data at 3000K

D - Distance from fixture
FC - Initial foot candles at the center of beam
DIA - Diameter

15° BEAM ANGLE



55° BEAM ANGLE

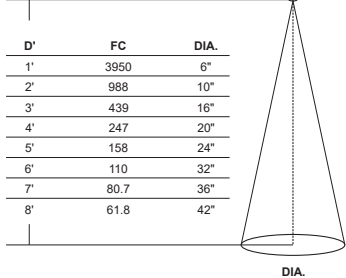


Z1: Adjustable between 15° and 55°

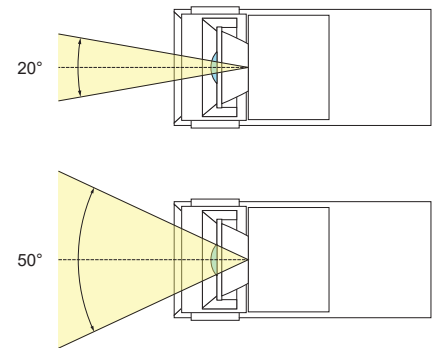
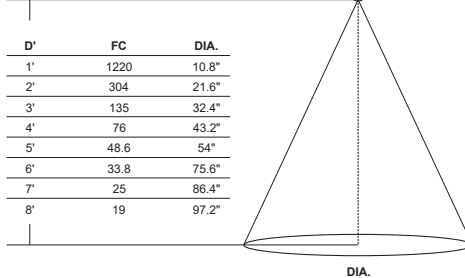
ZOOM Z2 Photometric Data at 3000K

D - Distance from fixture
FC - Initial foot candles at the center of beam
DIA - Diameter

20° BEAM ANGLE



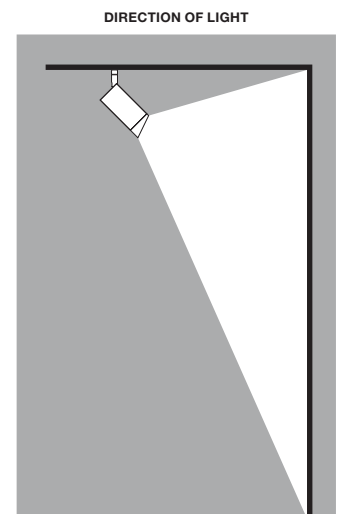
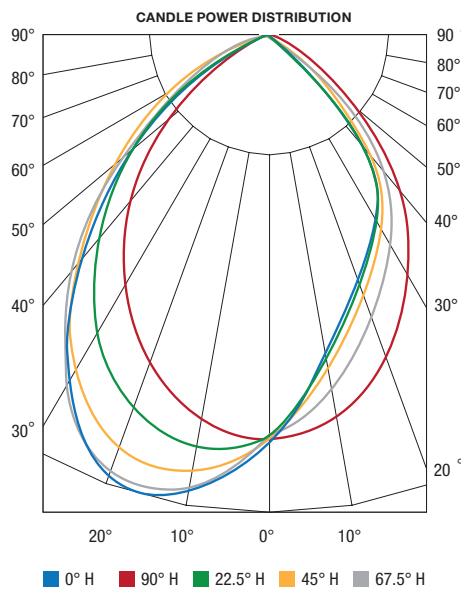
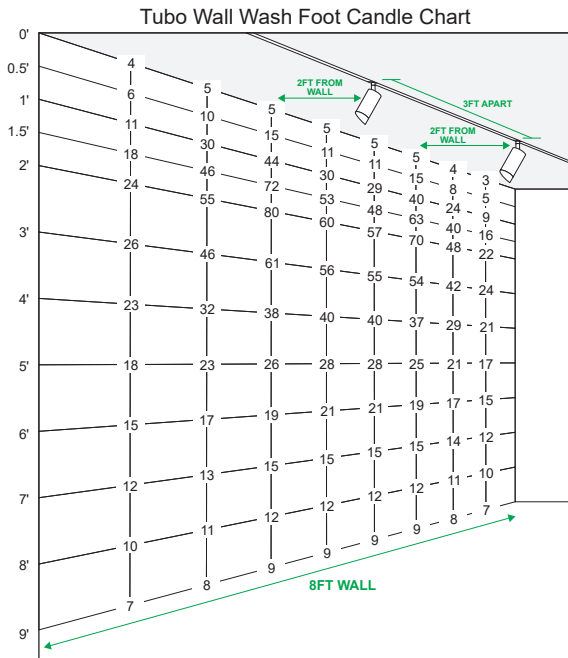
50° BEAM ANGLE



Z2: Adjustable between 20° and 50°

TUBO WALL WASH Photometric Data at 3000K

D - Distance from fixture
FC - Initial foot candles at the center of beam
DIA - Diameter



PROJECT	FIXTURE TYPE	DATE
---------	--------------	------

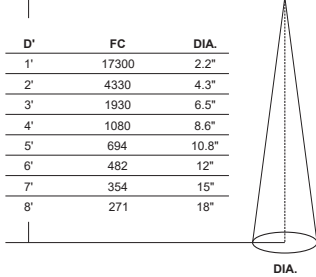
T24M TRACK HEADS, 2 CIRCUIT MAGNETIC

24VDC WITH INTEGRATED LED, STATIC WHITE & WARM DIM TECHNOLOGY

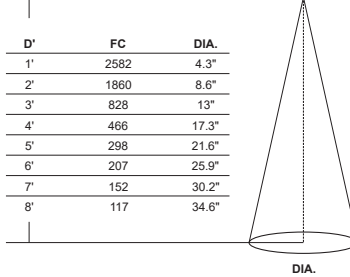
RADIANT LARGE Photometric Data at 3000K

D - Distance from fixture
FC - Initial foot candles at the center of beam
DIA - Diameter

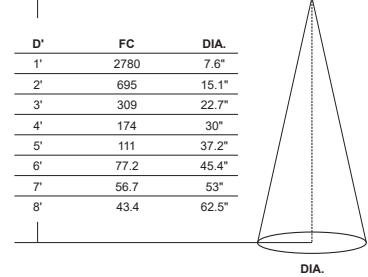
NARROW SPOT BEAM ANGLE 10°



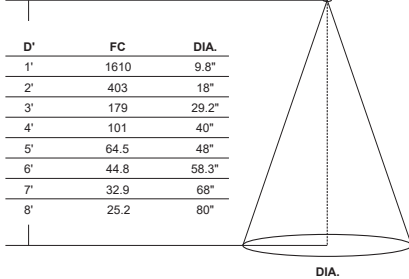
SPOT BEAM ANGLE 20°



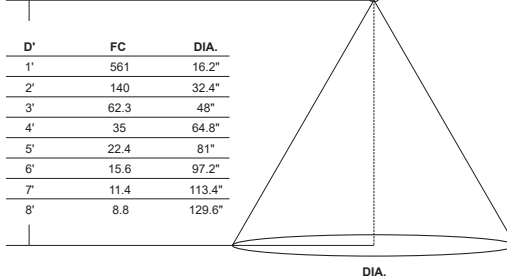
NARROW FLOOD BEAM ANGLE 35°



FLOOD BEAM ANGLE 45°



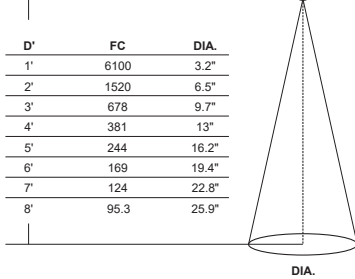
WIDE FLOOD BEAM ANGLE 60°



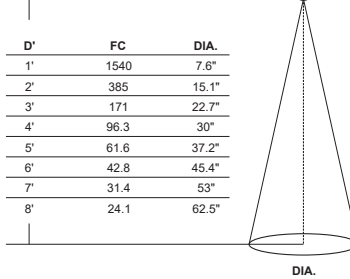
RADIANT MEDIUM Photometric Data at 3000K

D - Distance from fixture
FC - Initial foot candles at the center of beam
DIA - Diameter

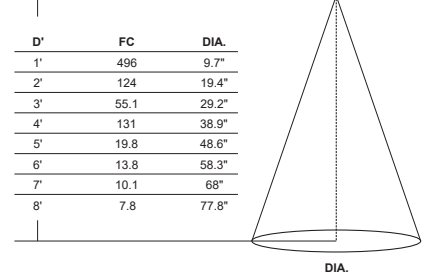
SPOT BEAM ANGLE 20°



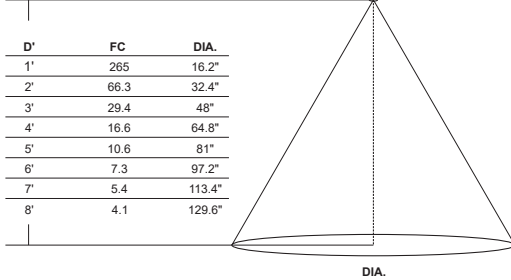
NARROW FLOOD BEAM ANGLE 35°



FLOOD BEAM ANGLE 45°



WIDE FLOOD BEAM ANGLE 60°



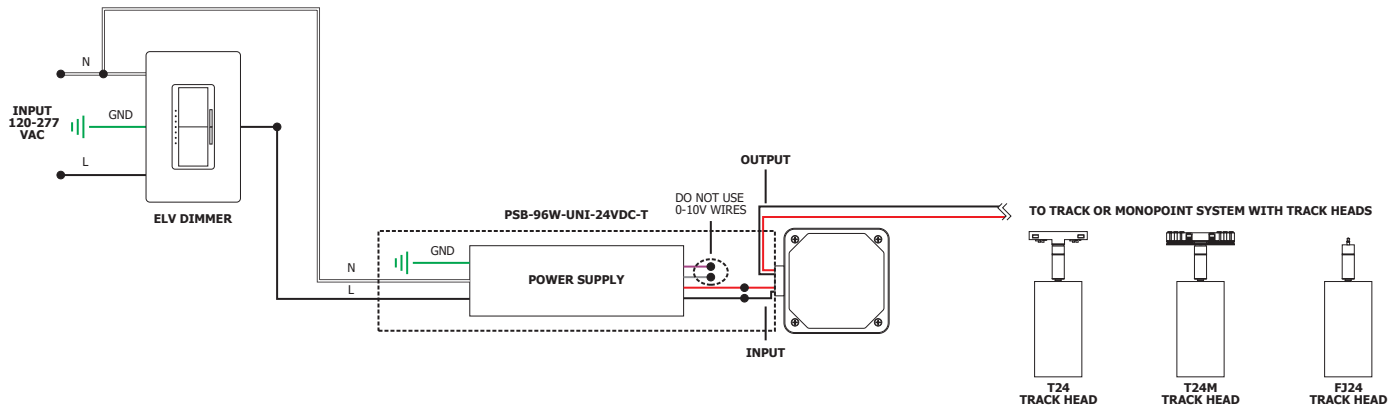
PROJECT	FIXTURE TYPE	DATE
---------	--------------	------

UNIVERSAL POWER SUPPLIES WITH TRIM

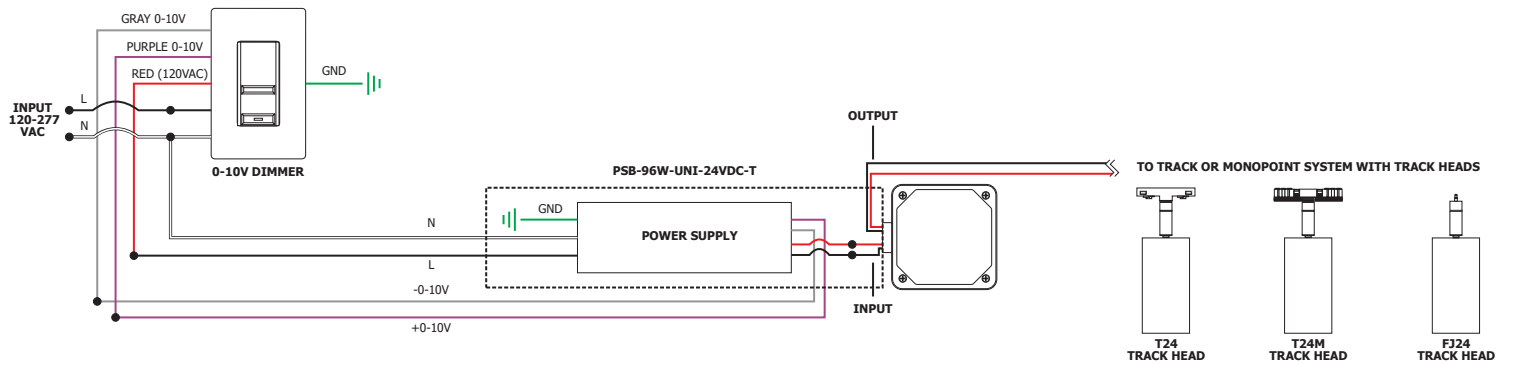
24VDC, UNIVERSAL DIMMING (ELV, TRIAC, 0-10V) STATIC WHITE & WARM DIM FOR TRACK HEADS

REV 04.07.25

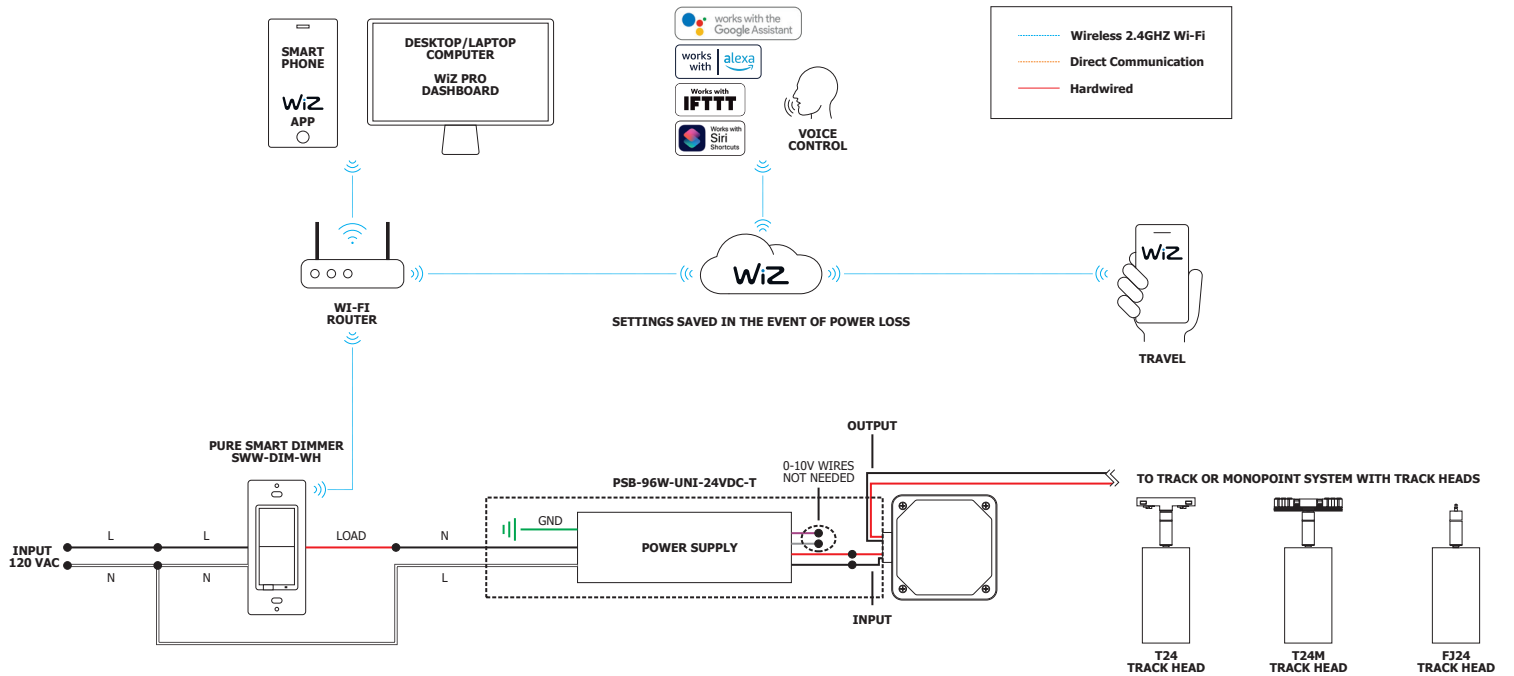
ELV WIRING DIAGRAM



0-10V WIRING DIAGRAM



SMART WIRING DIAGRAM & NETWORK TOPOGRAPHY



PROJECT	FIXTURE TYPE	DATE
---------	--------------	------

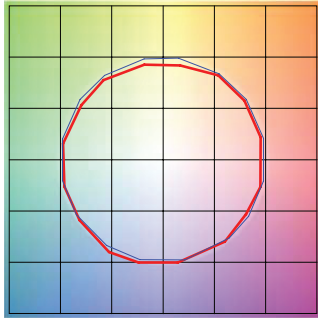
TM30 DATA

24VDC WITH INTEGRATED LED, STATIC WHITE & WARM DIM TECHNOLOGY

TM-30-15 DATA: Consistent color temperatures among multiple track heads is possible through a 3 phase binning process in which each order is inspected with a color meter to ensure uniformity.

2400K | Rf: 91.2 | Rg: 96.8

Color Vector Graphic

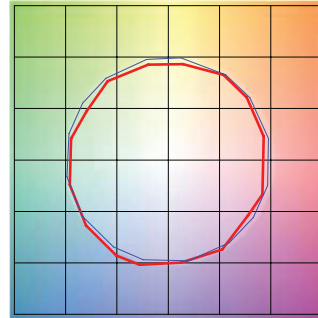


■ Test ■ Reference

HUE BIN	Rf	GRAPHIC SHIFTS %	
		CHROMA	HUE
1	92.0	-2.4%	1.5%
2	94.7	-2.1%	0.0%
3	95.4	-1.9%	-0.1%
4	88.7	-6.7%	-3.1%
5	92.8	-5.6%	1.0%
6	92.7	-3.4%	3.4%
7	89.9	-4.3%	4.1%
8	92.4	-1.4%	4.4%
9	89.0	-0.6%	5.8%
10	88.9	0.4%	6.2%
11	89.7	4.0%	5.4%
12	92.6	3.0%	-0.7%
13	90.9	1.1%	-7.0%
14	89.9	0.5%	-5.8%
15	92.1	-3.2%	0.1%
16	88.9	-1.7%	-6.3%

2700K | Rf: 87.7 | Rg: 96.1

Color Vector Graphic

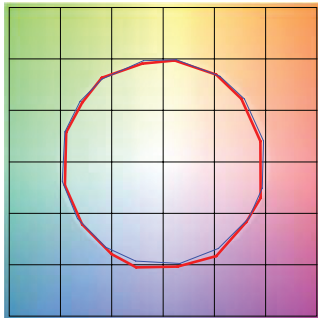


■ Test ■ Reference

HUE BIN	Rf	GRAPHIC SHIFTS %	
		CHROMA	HUE
1	88.0	-4.3%	2.6%
2	91.6	-2.4%	2.0%
3	93.7	-1.4%	1.9%
4	88.9	-5.6%	-3.1%
5	92.3	-5.5%	-0.5%
6	92.9	-3.5%	0.1%
7	84.5	-7.5%	4.6%
8	90.8	-3.0%	4.4%
9	84.5	-1.3%	8.3%
10	83.9	2.0%	9.8%
11	87.2	5.3%	7.1%
12	89.2	5.4%	-2.6%
13	88.7	0.3%	-7.8%
14	86.8	1.7%	-9.3%
15	87.6	-5.4%	-1.3%
16	83.6	-3.3%	-9.5%

3000K | Rf: 88.1 | Rg: 99.7

Color Vector Graphic

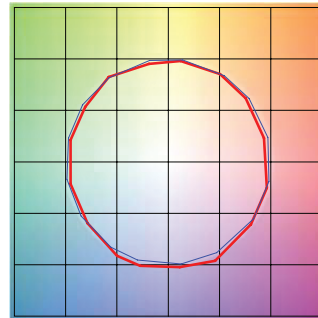


■ Test ■ Reference

HUE BIN	Rf	GRAPHIC SHIFTS %	
		CHROMA	HUE
1	92.5	-3.1%	0.3%
2	93.3	-2.3%	1.9%
3	90.9	-0.8%	3.9%
4	94.3	-1.1%	1.4%
5	92.5	-2.6%	1.5%
6	96.4	1.2%	-0.3%
7	92.6	-2.5%	-0.0%
8	96.9	-1.4%	0.2%
9	92.3	-1.8%	4.3%
10	86.6	-0.7%	7.0%
11	86.5	2.4%	8.2%
12	89.8	5.9%	1.7%
13	93.9	2.6%	-2.7%
14	89.4	5.1%	-5.8%
15	90.1	-0.1%	-4.7%
16	86.5	0.3%	-9.7%

3500K | Rf: 86.1 | Rg: 95.5

Color Vector Graphic

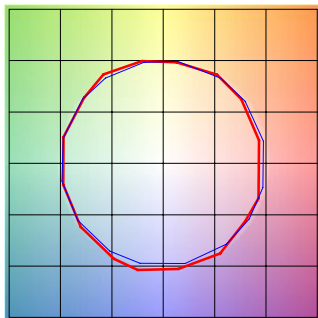


■ Test ■ Reference

HUE BIN	Rf	GRAPHIC SHIFTS %	
		CHROMA	HUE
1	90.8	-3.8%	0.3%
2	92.3	-2.8%	2.1%
3	89.7	-1.0%	4.3%
4	92.6	-1.4%	1.7%
5	91.8	-3.1%	1.3%
6	96.2	0.8%	-0.4%
7	92.9	-3.2%	0.2%
8	94.3	-2.5%	1.5%
9	90.4	-2.5%	5.2%
10	84.3	-1.4%	9.5%
11	83.1	3.5%	9.8%
12	88.2	4.8%	3.4%
13	94.0	2.7%	-2.0%
14	88.7	5.9%	-5.8%
15	88.7	0.7%	-5.9%
16	86.8	-0.7%	-6.7%

3000D | Rf: 89.8 | Rg: 101.4

Color Vector Graphic



■ Test ■ Reference

HUE BIN	Rf	GRAPHIC SHIFTS %	
		CHROMA	HUE
1	90.2	-4.2%	1.5%
2	90.9	-2.0%	3.7%
3	87.9	0.8%	5.5%
4	92.1	-0.9%	0.6%
5	93.0	1.5%	1.6%
6	92.2	3.9%	-0.2%
7	92.1	-0.3%	-2.0%
8	96.7	0.0%	-1.2%
9	92.5	-0.6%	3.7%
10	88.3	1.1%	7.0%
11	87.2	4.1%	7.4%
12	87.2	6.7%	-1.0%
13	88.2	3.8%	-7.2%
14	85.3	4.3%	-9.9%
15	90.9	-2.2%	-3.6%
16	83.4	-2.2%	-11.2%

PROJECT	FIXTURE TYPE	DATE
---------	--------------	------