

# SOLINA 360 HOOP PENDANT

24VDC, STATIC WHITE, WARM DIM, TUNABLE WHITE, & TRUCOLOR

ASSEMBLED IN AMERICA

REV 06.12.26



## DESCRIPTION

Solina 360 Hoop Pendant is an architectural lighting system that blends form and function to create continuous, 360-degree illumination without pixelation. Its sculptural, minimal design provides a striking visual element while delivering exceptional color rendering for a clean, uninterrupted glow.

Designed to offer both a sophisticated aesthetic and an inviting ambiance, Solina 360 enhances interiors with its fluid, seamless flow. Choose from Static White, Warm Dim (27D & 30D), Tunable White (2K4K & 27K6), or TruColor RGBTW which is our premier light engine with a wide spectrum from 1500K-6500K and exceptional color rendering (96+ CRI). TruColor RGBTW takes Tunable White to the next level. With the addition of the red, green, and blue channels to the Tunable White, we're able to achieve a level of quality, performance, and accuracy that was previously unattainable. TruColor RGBTW can be controlled with either DMX or WiZ Pro wireless controls. With flexible configuration options and precision engineering, Solina 360 Hoop Pendant serves as both a functional lighting solution and a design statement, making it the perfect solution for a wide range of applications. For custom designs and quotes, send drawings to [design@PureEdgeLighting.com](mailto:design@PureEdgeLighting.com).

## LUMEN PERFORMANCE AT 3000K (D)

3W LUMEN OUTPUT	482 lm/ft	EFFICIENCY	138 lm/watt
CRI	93	Rg	101
BEAM ANGLE	360°	BEAM TOLERANCE	+/- 30CCT

## SPECIFICATIONS

DIMENSIONS	DIA: C & D = 1.2"
INPUT	24VDC with 5" leads
POWER SUPPLIES	Remote 24VDC power supply required
POWER CONSUMPTION	3, 5, or 7 watts per foot
MATERIAL	UV Resistant Silicon
OPERATING TEMPERATURE	-4° F (-20° C) to 122° F (+50° C)
AVERAGE LED LIFE	50,000 hrs
WARRANTY	5 Year pro-rated

## LAMP

- Static White Color Temperatures ranging from **2400K** through **4000K**
- Warm Dim: **27D & 30D** dim down to 1800K, resembling halogen light sources
- Tunable White: **2K4K** and **27K6** grants independent control for adjusting color temperature and intensity
- **TruColor™ RGBTW** Dynamic RGB with Tunable White 1500K-6500K

## REMOTE POWER SUPPLIES\*, DIMMERS & CONTROLS (SOLD SEPARATELY)

24VDC, Class 2 wiring

### Static White

- Pure Smart™ WiZ Pro [Power Supplies & Smart Controls](#)
- [UNI Driver: Universal Dimming \(ELV, TRIAC, 0-10V\)](#) ELV & TRIAC [Smart Dimmer & Switch](#)
- [2-in-1 96W Power Supply and Wall Dimmer](#)

### Warm Dim

- [UNI Driver: Universal Dimming \(TRIAC, ELV, 0-10V\)](#)
- [Make It Smart: Pure Smart™ Wi-Fi Dimmer](#)
- [2-in-1 96W Power Supply and Wall Dimmer](#)

### Tunable White

- [0-10V](#): Requires two dimmers, one for intensity and one for color temperature
- [DMX & Controls](#)
- Pure Smart™ WiZ Pro [Power Supplies & Smart Controls](#)
- [2-in-1 Power Driver and Dimmer](#)

### RGBTW

- [Home Integration Solutions](#)
  - Pure Smart™ WiZ Pro [Power Supplies & Smart Controls](#)
- \*In-wall mounting and drop ceiling kits available for select power supplies

## COMPLIANCE

\*Title 24 JA8 compliant for 2700K CCT and above when used with PureEdge remote Universal power supplies, ETL, Class 2, Damp Location, Assembled in USA.

## APPLICATIONS

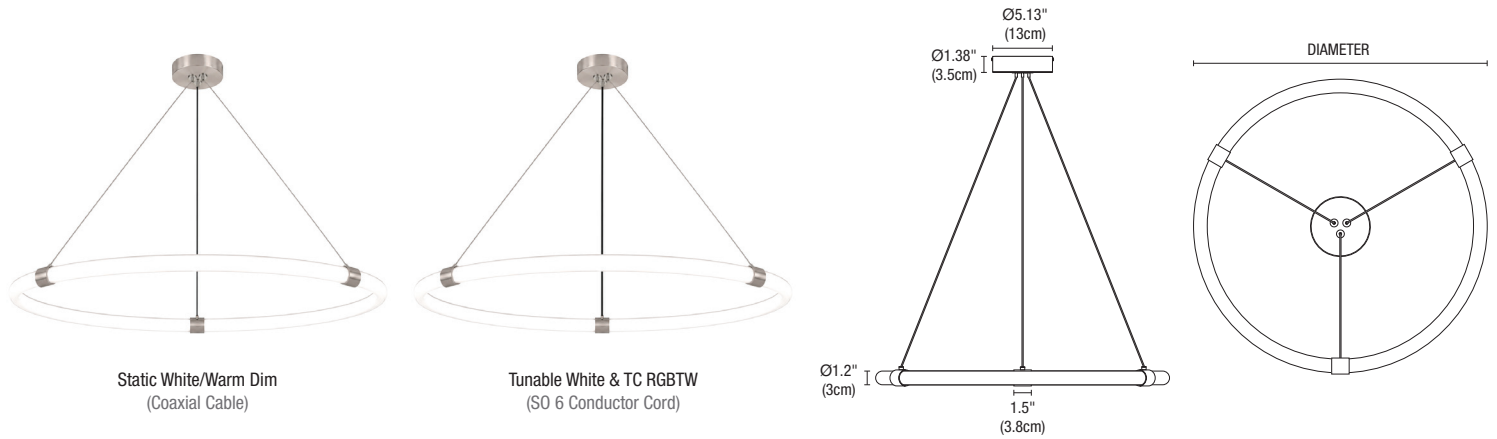
Designed for indoor use only. Ideal applications include general lighting, residential, commercial, retail, and hospitality environments.

# SOLINA 360 HOOP PENDANT

24VDC, STATIC WHITE, WARM DIM, TUNABLE WHITE, & TRUCOLOR

REV 06.12.26

## HOOP MONOPOINT SUSPENSION PENDANT



System	Type	Wattage	Diameter	Color Temperature	Finish
<b>SLHSR</b> Solina Ring Suspension 1.2" Dia Tube with 8ft Cord and 5RD Canopy with Power	<b>C</b> Cora Weave Lens in 1.2" Dia Rigid Tubing <b>D</b> Diffused Lens in 1.2" Dia Rigid Tubing	<b>3W*</b> 3 Watts per foot <b>5W</b> 5 watts per foot <b>7W</b> 7 watts per foot <small>*Only available in Static White color temperatures</small>	<b>D18</b> 18" Diameter <b>D24</b> 24" Diameter <b>D30</b> 30" Diameter <b>D36</b> 36" Diameter <b>D42</b> 42" Diameter <b>D48</b> 48" Diameter <b>D54</b> 54" Diameter <b>D60</b> 60" Diameter <b>D72</b> 72" Diameter <small>*Custom sizes available upon request.</small>	<b>24K</b> 2400K Very Warm White <b>27K</b> 2700K Incandescent White <b>27D</b> 2700K Warm Dim, Dims to 1800K <b>30K</b> 3000K Warm White <b>30D</b> 3000K Warm Dim, Dims to 1800K <b>35K</b> 3500K Neutral White <b>40K</b> 4000K Cool White <b>2K4K</b> Tunable White 2000K-4000K <b>27K6*</b> Tunable White 2700K-6500K <b>TC*</b> TruColor RGBTW Red, Green, Blue, and Tunable White 1500K-6500K <small>*5 Watts Only</small>	<b>BK</b> Black <b>MW</b> Matte White RAL 9003 <b>SB</b> Satin Brass <b>SN</b> Satin Nickel <b>PN</b> Polished Nickel <b>XX</b> Custom* <small>*RAL/... Specify RAL Powder Coat Code (ex: #RAL/9007) Additional finishes are available with an extended lead time. Custom quotation is required prior to ordering.</small>

### 360 LENS OPTIONS



(C) Cora Weave Rigid Tube



(D) Diffused Rigid Tube

### COVER FINISHES



Black

Polished Nickel

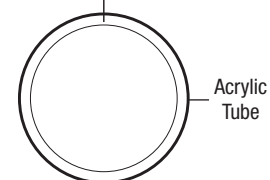
Satin Nickel

Satin Brass

Matte White  
RAL 9003

### 360 ILLUMINATION

Cora Weave or Diffused Lens

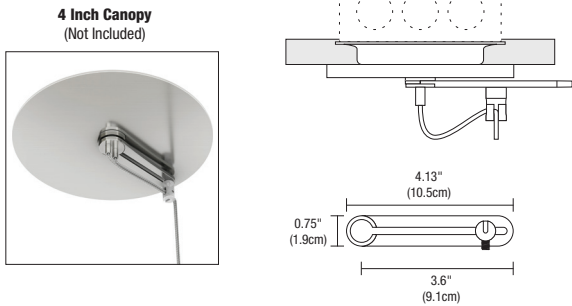


Ø1.2" (3cm)  
C & D

# SOLINA 360 HOOP PENDANT

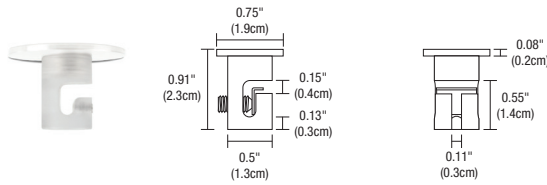
24VDC, STATIC WHITE, WARM DIM, TUNABLE WHITE, & TRUCOLOR

## MONOPOINT CANOPY OPTIONS



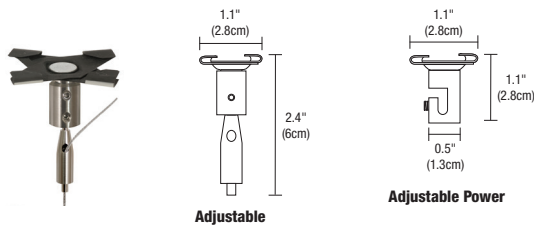
**CHANNEL SUSPENSION ADJUSTABLE SWAG BAR AND HOOK**  
 Channel Suspension Adjustable Swag Bar and Hook allows a cable to form a straight connection to the channel suspension when the Power Canopy is not located directly above the fixture. Use when you have two or more canopies (power supplies) on the same fixture run. The Adjustable Swag Hook is compatible with the 2R, and 4R Power Canopies (Canopy not included).

Product	Type	Finish
<b>CS</b>	<b>ADJ-DP-SWAG</b>	<b>SN</b>
CS Channel Suspension	ADJ-SWAG Adjustable Swag Hook for Static White ADJ-DP-SWAG Dual Post Adjustable Swag Hook for 2K4K & RGB	SN Satin Nickel



**CHANNEL SUSPENSION SWAG HOOK**  
 The clear plastic Swag Hook extends a cable from a ceiling or an electrical box that is not located directly above desired fixture location.

System	Type
<b>CS</b>	<b>SWAG</b>
CS Channel Suspension	SWAG Swag Hook



**CHANNEL SUSPENSION ADJUSTABLE T-BAR CLIP**  
 Channel Suspension Adjustable T-Bar Clip mounts to T-Bar grid ceilings. Available in Satin Black or White with Satin Nickel Hardware as Adjustable Power and Non-Power versions.

Product	Type	Options	Finish
<b>CS</b>	<b>TBAR</b>	<b>A</b>	<b>W</b>
CS Channel Suspension	TBAR 9/16" and 15/16"	A Adjustable AP Adjustable Power	W White BK Satin Black

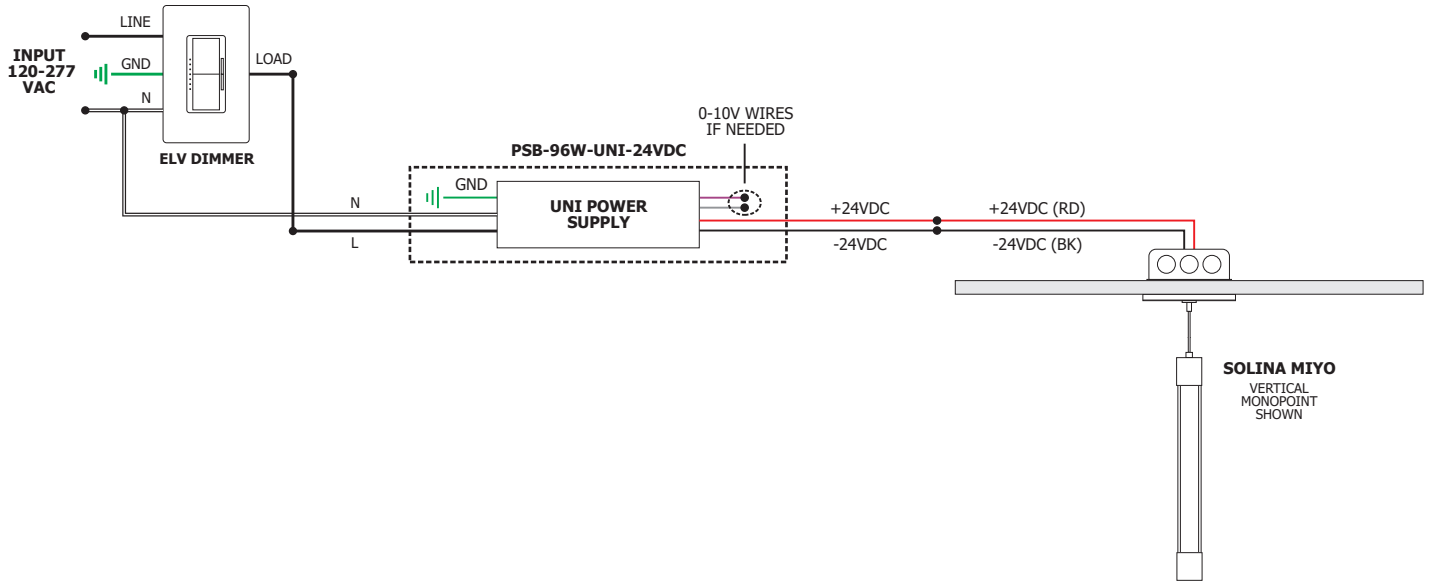
# SOLINA 360 HOOP PENDANT

24VDC, STATIC WHITE, WARM DIM, TUNABLE WHITE, & TRUCOLOR

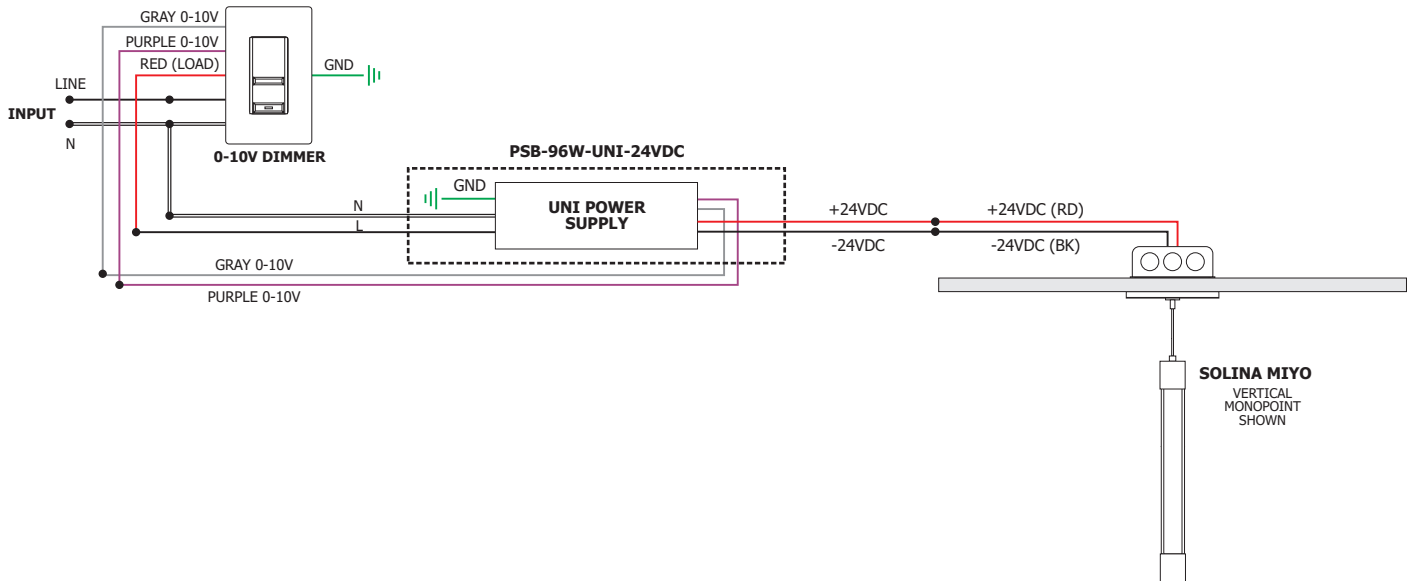
REV 06.12.26

## STATIC WHITE & WARM DIM

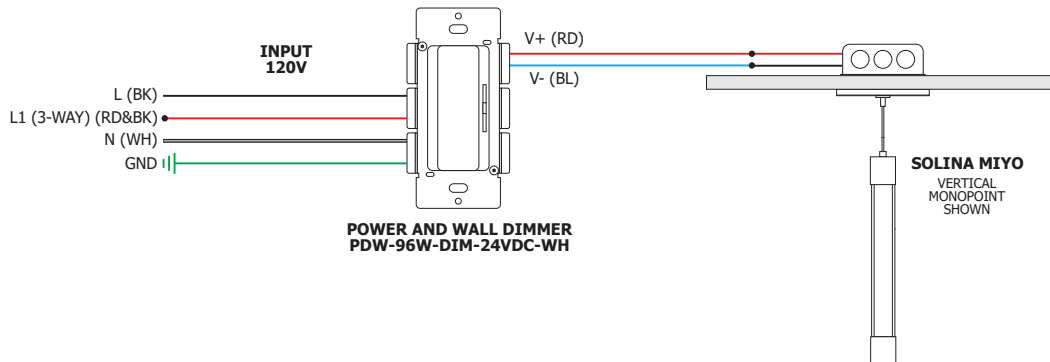
**WIRING DIAGRAM: Single Junction Box**



**WIRING DIAGRAM: 0-10V**



**WIRING DIAGRAM: 2-IN-1 WALL DIMMER & POWER SUPPLY**



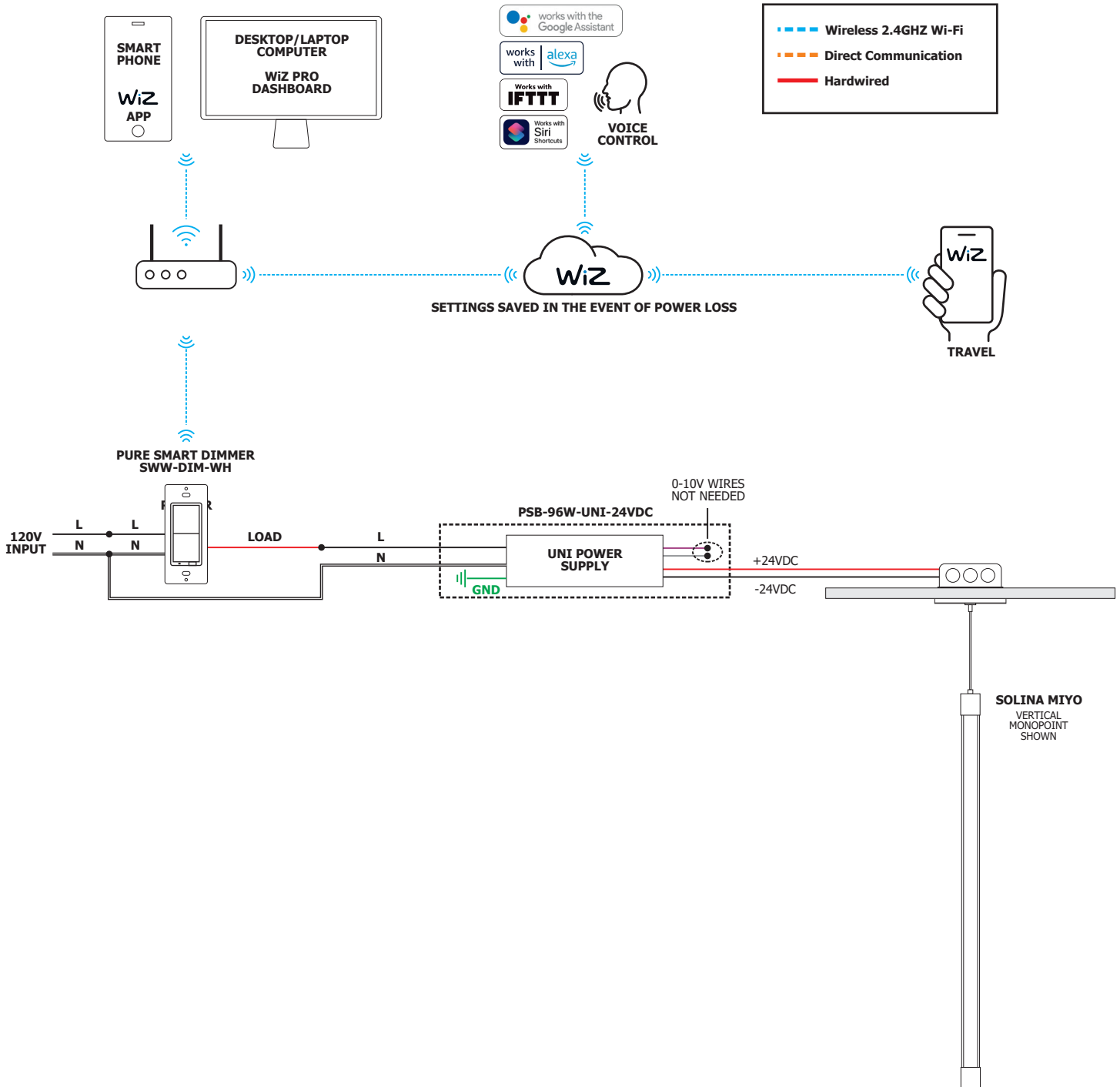
# SOLINA 360 HOOP PENDANT

24VDC, STATIC WHITE, WARM DIM, TUNABLE WHITE, & TRUCOLOR

REV 06.12.26

## STATIC WHITE & WARM DIM

### WIRING DIAGRAM: Pure Smart



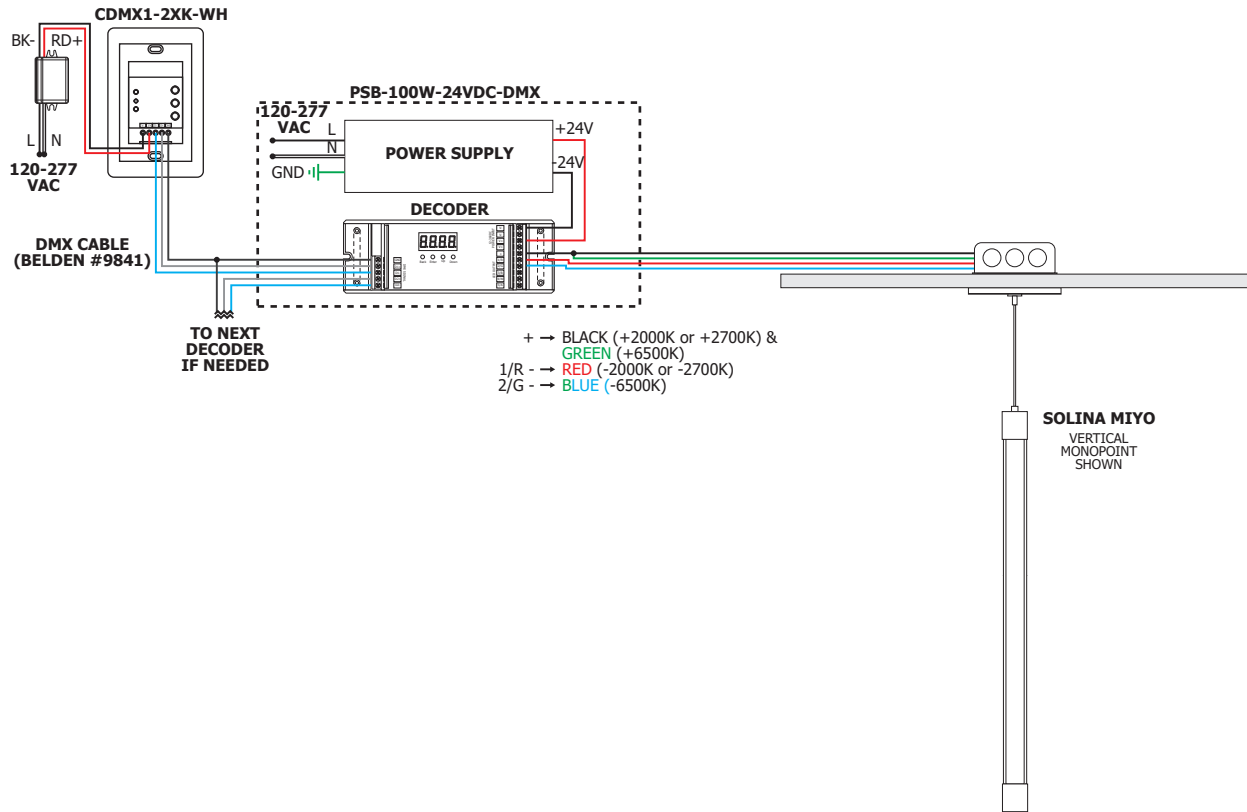
# SOLINA 360 HOOP PENDANT

24VDC, STATIC WHITE, WARM DIM, TUNABLE WHITE, & TRUCOLOR

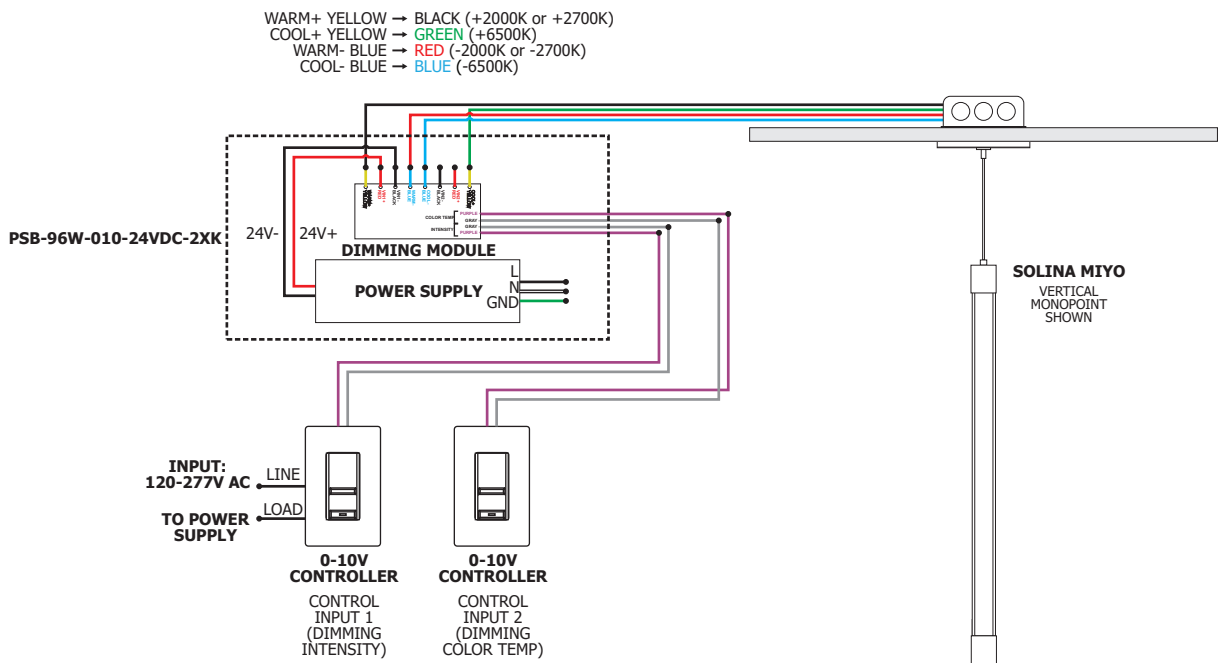
REV 06.12.26

## TUNABLE WHITE

### WIRING DIAGRAM: DMX Dimming

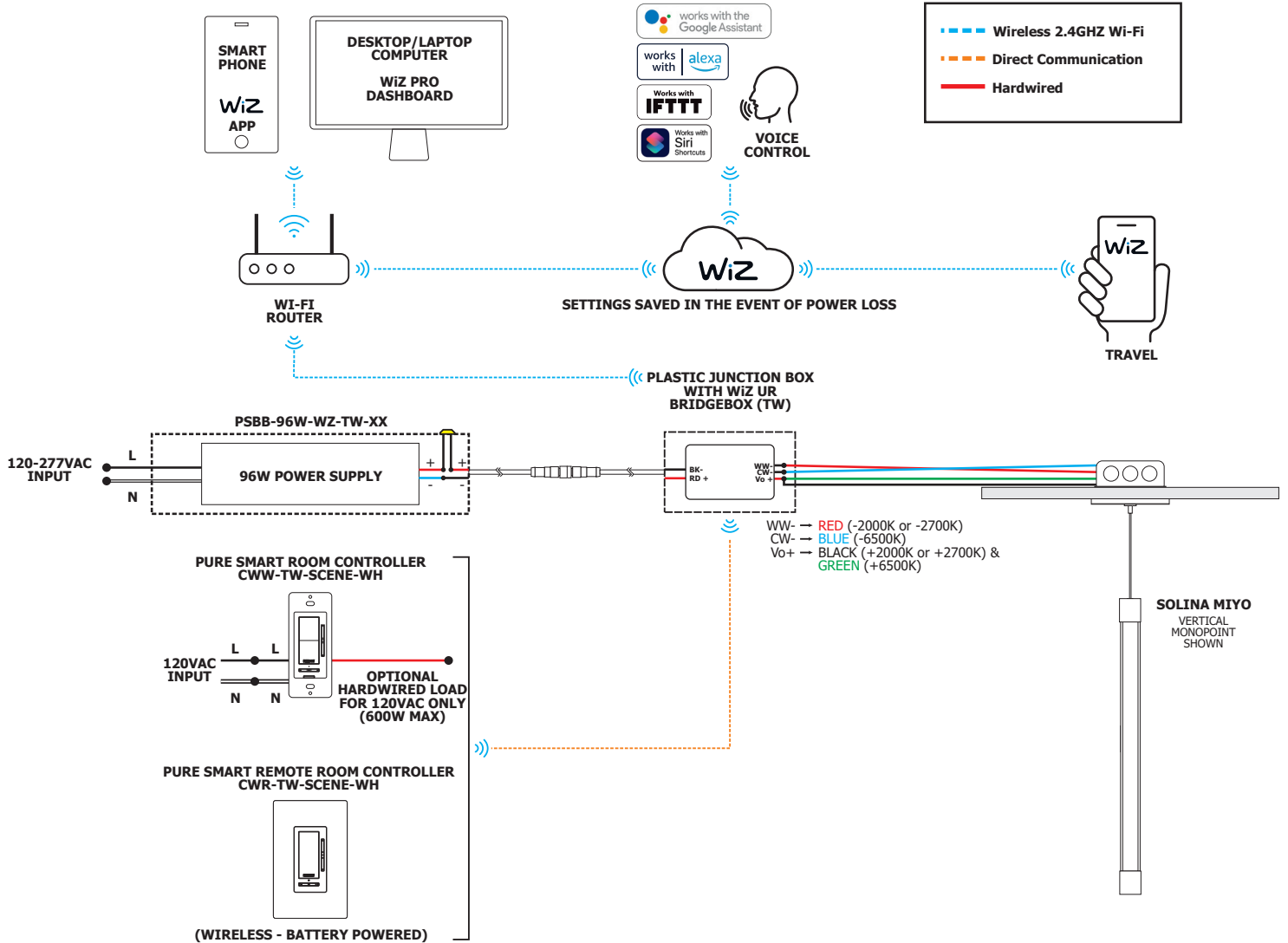


### WIRING DIAGRAM: 0-10V

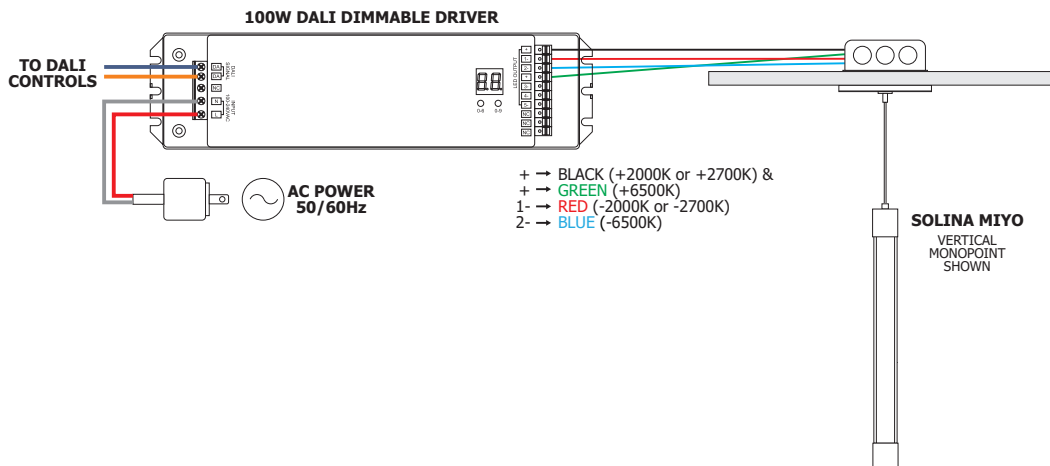


## TUNABLE WHITE

### WIRING DIAGRAM: Pure Smart Connected by WiZ



### WIRING DIAGRAM: DALI



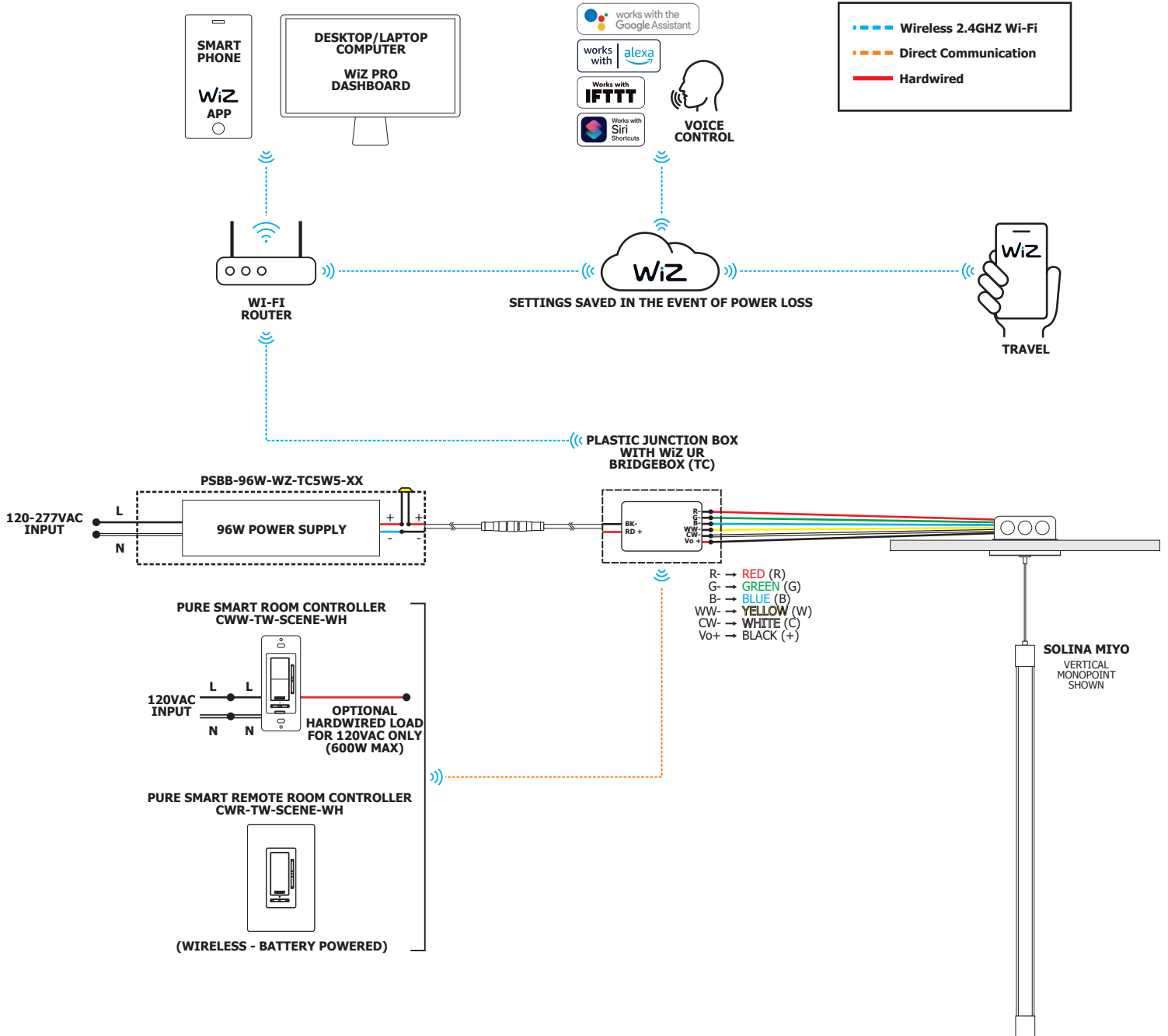
# SOLINA 360 HOOP PENDANT

24VDC, STATIC WHITE, WARM DIM, TUNABLE WHITE, & TRUCOLOR

REV 06.12.26

## TRUCOLOR RGBTW

### WIRING DIAGRAM: Pure Smart Connected by WiZ

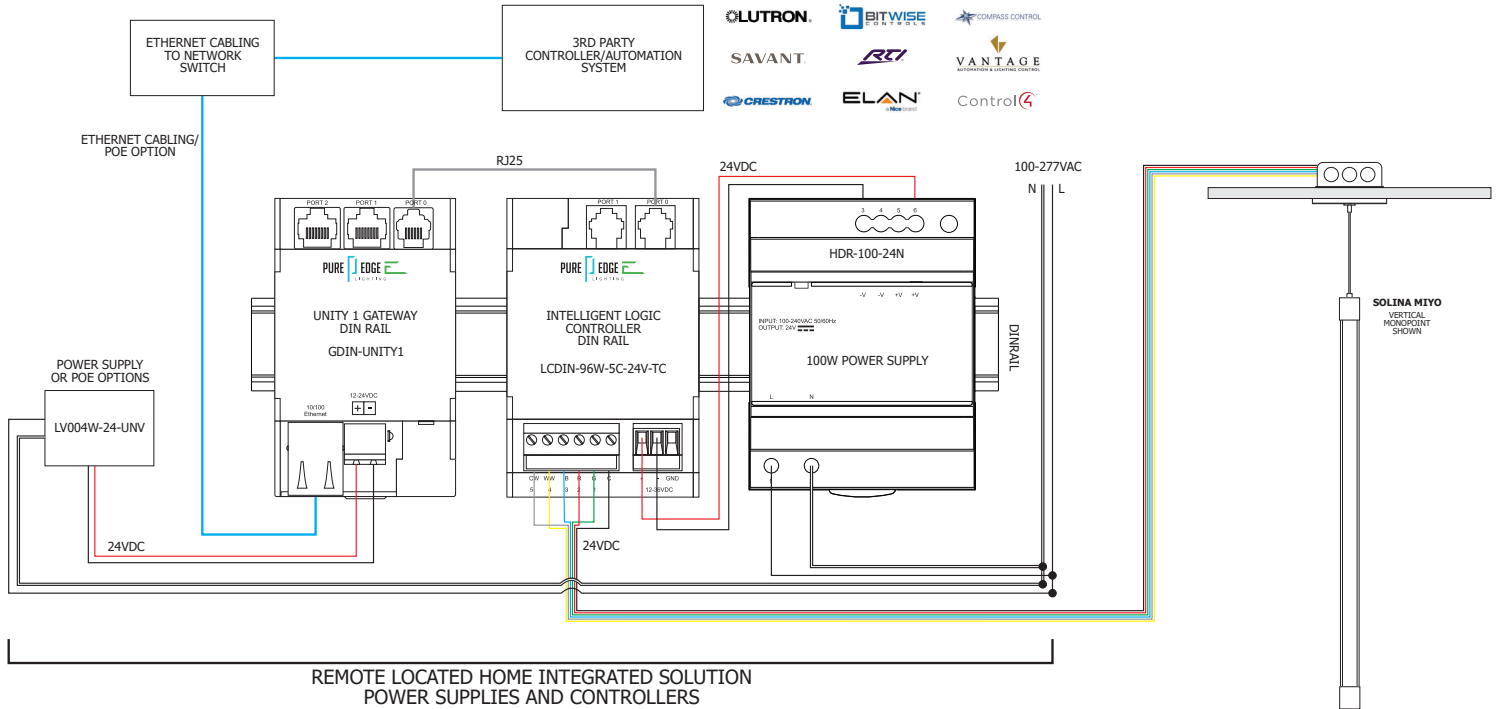


# SOLINA 360 HOOP PENDANT

24VDC, STATIC WHITE, WARM DIM, TUNABLE WHITE, & TRUCOLOR

## TRUCOLOR RGBTW

### WIRING DIAGRAM: Pure Smart Integration



# SOLINA 360 HOOP PENDANT

24VDC, STATIC WHITE, WARM DIM, TUNABLE WHITE, & TRUCOLOR

## NOMINAL DELIVERED LUMENS

1C CORA WEAVE FLEX - STATIC WHITE & WARM DIM																			
WATTS PER FOOT	3W					5W					7W								
COLOR TEMPERATURE	24K	27K	30K	35K	40K	24K	27K	27D	30K	30D	35K	40K	24K	27K	27D	30K	30D	35K	40K
LUMENS PER FOOT (lm/ft)	402	418	423	422	512	642	661	355	680	375	652	822	924	967	502	978	543	943	1183
LUMENS PER WATT (lm/w)	112	117	121	120	145	112	117	63	121	65	120	151	111	121	60	120	66	117	146
CRI	95	94	93	93	93	95	94	95	93	96	93	93	96	94	96	93	95	93	93

1D DIFFUSED FLEX - STATIC WHITE & WARM DIM																			
WATTS PER FOOT	3W					5W					7W								
COLOR TEMPERATURE	24K	27K	30K	35K	40K	24K	27K	27D	30K	30D	35K	40K	24K	27K	27D	30K	30D	35K	40K
LUMENS PER FOOT (lm/ft)	459	476	482	481	584	732	754	405	775	428	743	937	1054	1103	572	1114	619	1074	1349
LUMENS PER WATT (lm/w)	128	133	138	137	166	128	133	71	138	74	137	172	126	138	69	137	75	133	167
CRI	95	96	93	93	93	95	94	95	93	96	93	93	96	94	96	93	95	93	93

1C CORA WEAVE FLEX - 2K4K TUNABLE WHITE														
WATTS PER FOOT	5W							7W						
COLOR TEMPERATURE	20K	22K	24K	27K	30K	35K	40K	20K	22K	24K	27K	30K	35K	40K
LUMENS PER FOOT (lm/ft)	258	334	334	337	351	403	393	415	549	549	554	578	663	629
LUMENS PER WATT (lm/w)	55	69	67	66	67	77	76	59	76	74	73	74	86	82
CRI	93	93	93	96	96	93	93	93	93	93	96	96	93	93

1D DIFFUSED FLEX - 2K4K TUNABLE WHITE														
WATTS PER FOOT	5W							7W						
COLOR TEMPERATURE	20K	22K	24K	27K	30K	35K	40K	20K	22K	24K	27K	30K	35K	40K
LUMENS PER FOOT (lm/ft)	294	380	380	384	400	459	448	473	625	625	632	658	755	717
LUMENS PER WATT (lm/w)	62	78	76	75	76	88	86	67	87	85	83	85	98	94
CRI	93	93	93	96	96	93	93	93	93	93	96	96	93	93

1C CORA WEAVE FLEX - 27K6 TUNABLE WHITE							
WATTS PER FOOT	5W						
COLOR TEMPERATURE	27K	30K	35K	40K	45K	57K	65K
LUMENS PER FOOT (lm/ft)	214	254	261	268	293	315	300
LUMENS PER WATT (lm/w)	54	51	52	54	59	63	75
CRI	94+	93+	92+	92+	92+	92+	91+

1D DIFFUSED FLEX - 27K6 TUNABLE WHITE							
WATTS PER FOOT	5W						
COLOR TEMPERATURE	27K	30K	35K	40K	45K	57K	65K
LUMENS PER FOOT (lm/ft)	244	290	298	306	334	359	342
LUMENS PER WATT (lm/w)	49	46	48	49	53	58	68
CRI	94+	93+	92+	92+	92+	92+	91+

1C CORA WEAVE FLEX - TRUCOLOR RGBTW									
WATTS PER FOOT	5W								
COLOR TEMPERATURE	20K	22K	24K	27K	30K	35K	40K	57K	65K
LUMENS PER FOOT (lm/ft)	98	111	115	122	127	136	139	111	104
LUMENS PER WATT (lm/w)	19	22	24	28	30	30	29	28	35
CRI	92	94	95	95	96	97	97	92	90

1D DIFFUSED FLEX - TRUCOLOR RGBTW									
WATTS PER FOOT	5W								
COLOR TEMPERATURE	20K	22K	24K	27K	30K	35K	40K	57K	65K
LUMENS PER FOOT (lm/ft)	101	114	118	125	239	140	143	114	107
LUMENS PER WATT (lm/w)	48	54	56	30	58	34	68	54	51
CRI	93	93	93	96	96	96	94	94	94

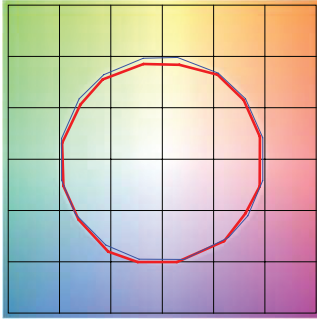
# LED STRIP TM30 DATA

5W | 7W STATIC WHITE, WARM DIM, TUNABLE WHITE, RGBTW

**TM-30-15 DATA:** The data below is for bare LED Static White Strip. Consistent color temperatures throughout a single strip and among multiple strips is possible through a 3 phase binning process in which each order is inspected with a color meter to ensure uniformity.

**2400K** | Rf: 84.5 | Rg: 94.4

Color Vector Graphic

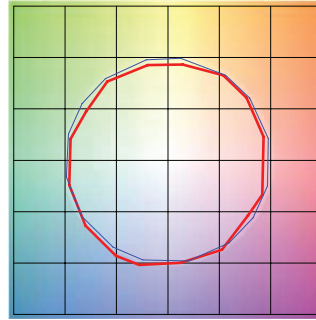


■ Test ■ Reference

HUE BIN	Rf	GRAPHIC SHIFTS %	
		CHROMA	HUE
1	92	-2.4%	1.5%
2	94.7	-2.1%	-0.0%
3	95.4	-1.9%	-0.1%
4	88.7	-6.7%	-3.1%
5	92.8	-5.6%	1.0%
6	92.7	-3.4%	3.4%
7	89.9	-4.3%	4.1%
8	92.4	-1.4%	4.4%
9	89	-0.6%	5.8%
10	88.9	0.4%	6.2%
11	89.7	4.0%	5.4%
12	92.6	3.0%	-0.7%
13	90.9	1.1%	-7.0%
14	89.9	0.5%	-5.8%
15	92.1	-3.2%	0.1%
16	88.9	-1.7%	-6.3%

**2700K** | Rf: 87.7 | Rg: 96.1

Color Vector Graphic

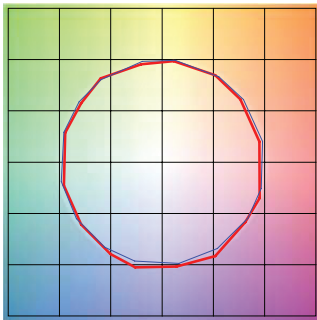


■ Test ■ Reference

HUE BIN	Rf	GRAPHIC SHIFTS %	
		CHROMA	HUE
1	88.0	-4.3%	2.6%
2	91.6	-2.4%	2.0%
3	93.7	-1.4%	1.9%
4	88.9	-5.6%	-3.1%
5	92.3	-5.5%	-0.5%
6	92.9	-3.5%	0.1%
7	84.5	-7.5%	4.6%
8	90.8	-3.0%	4.4%
9	84.5	-1.3%	8.3%
10	83.9	2.0%	9.8%
11	87.2	5.3%	7.1%
12	89.2	5.4%	-2.6%
13	88.7	0.3%	-7.8%
14	86.8	1.7%	-9.3%
15	87.6	-5.4%	-1.3%
16	83.6	-3.3%	-9.5%

**3000K** | Rf: 88.1 | Rg: 99.7

Color Vector Graphic

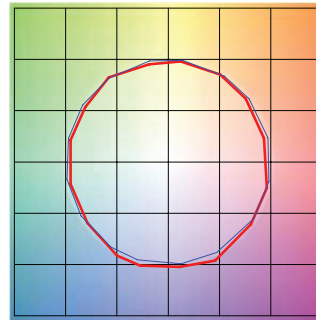


■ Test ■ Reference

HUE BIN	Rf	GRAPHIC SHIFTS %	
		CHROMA	HUE
1	92.5	-3.1%	0.3%
2	93.3	-2.3%	1.9%
3	90.9	-0.8%	3.9%
4	94.3	-1.1%	1.4%
5	92.5	-2.6%	1.5%
6	96.4	1.2%	-0.3%
7	92.6	-2.5%	-0.0%
8	96.9	-1.4%	0.2%
9	92.3	-1.8%	4.3%
10	86.6	-0.7%	7.0%
11	86.5	2.4%	8.2%
12	89.8	5.9%	1.7%
13	93.9	2.6%	-2.7%
14	89.4	5.1%	-5.8%
15	90.1	-0.1%	-4.7%
16	86.5	0.3%	-9.7%

**3500K** | Rf: 86.1 | Rg: 95.5

Color Vector Graphic

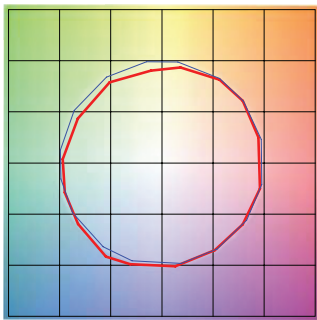


■ Test ■ Reference

HUE BIN	Rf	GRAPHIC SHIFTS %	
		CHROMA	HUE
1	90.8	-3.8%	0.3%
2	92.3	-2.8%	2.1%
3	89.7	-1.0%	4.3%
4	92.6	-1.4%	1.7%
5	91.8	-3.1%	1.3%
6	96.2	0.8%	-0.4%
7	92.9	-3.2%	0.2%
8	94.3	-2.5%	1.5%
9	90.4	-2.5%	5.2%
10	84.3	-1.4%	9.5%
11	83.1	3.5%	9.8%
12	88.2	4.8%	3.4%
13	94.0	2.7%	-2.0%
14	88.7	5.9%	-5.8%
15	88.7	0.7%	-5.9%
16	86.8	-0.7%	-6.7%

**4000K** | Rf: 87.6 | Rg: 96.8

Color Vector Graphic



■ Test ■ Reference

HUE BIN	Rf	GRAPHIC SHIFTS %	
		CHROMA	HUE
1	88.9	-2.4%	2.5%
2	93.3	-0.4%	0.8%
3	94.8	-1.0%	-0.6%
4	87.9	-4.9%	-3.6%
5	85.3	-9.4%	-2.6%
6	90.2	-6.0%	0.2%
7	85.3	-7.6%	4.6%
8	83.7	-4.1%	8.2%
9	79.5	-1.1%	13.8%
10	78.6	1.5%	12.1%
11	83.5	6.4%	7.8%
12	90.9	3.6%	-1.1%
13	88.3	1.7%	-6.3%
14	91.9	-0.4%	-2.2%
15	84.5	-0.9%	-5.5%
16	84.7	-1.1%	-4.4%

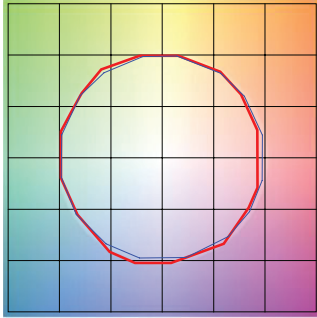
# LED STRIP TM30 DATA

5W | 7W STATIC WHITE, WARM DIM, TUNABLE WHITE, RGBTW

**TM-30-15 DATA:** The data below is for bare LED Warm Dim Strip. Consistent color temperatures throughout a single strip and among multiple strips is possible through a 3 phase binning process in which each order is inspected with a color meter to ensure uniformity.

## 2700D | Rf: 90.7 | Rg: 101.1

Color Vector Graphic

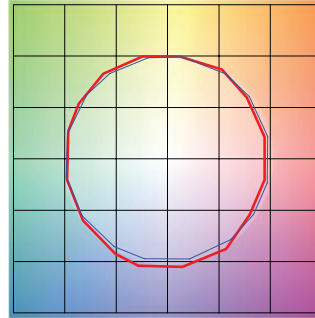


■ Test ■ Reference

GRAPHIC SHIFTS %			
HUE BIN	Rf	CHROMA	HUE
1	90.9	-4.1%	1.1%
2	91.8	-2.2%	3.2%
3	89.0	0.2%	5.0%
4	92.9	-1.1%	0.8%
5	93.9	1.1%	1.7%
6	93.3	3.3%	0.0%
7	93.1	-0.5%	-1.9%
8	97.2	-0.3%	-0.9%
9	93.4	-1.0%	3.2%
10	89.9	-0.1%	5.6%
11	87.0	4.7%	7.2%
12	89.2	5.8%	-0.2%
13	89.1	3.5%	-6.7%
14	86.3	4.1%	-9.2%
15	91.4	-2.0%	-3.6%
16	84.7	-2.1%	-10.3%

## 3000D | Rf: 90.6 | Rg: 101.1

Color Vector Graphic



■ Test ■ Reference

GRAPHIC SHIFTS %			
HUE BIN	Rf	CHROMA	HUE
1	91.5	-3.5%	1.3%
2	92.2	-1.8%	3.0%
3	89.3	0.5%	4.8%
4	92.7	-1.1%	0.6%
5	93.3	0.5%	1.4%
6	93.8	2.7%	-0.8%
7	91.2	-2.1%	-0.2%
8	97.0	-0.5%	-0.7%
9	92.5	-0.7%	3.8%
10	88.3	0.9%	7.1%
11	87.5	3.9%	7.6%
12	88.2	6.2%	-0.2%
13	89.9	3.4%	-6.0%
14	86.9	4.4%	-8.5%
15	91.9	-1.9%	-2.9%
16	84.7	-1.3%	-10.6%

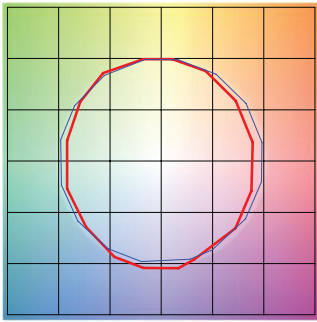
# LED STRIP TM30 DATA

5W | 7W STATIC WHITE, WARM DIM, TUNABLE WHITE, RGBTW

**TM-30-15 DATA:** The data below is for LS5 bare Lazer Strips. Consistent color temperatures throughout a single strip and among multiple strips is possible through a 3 phase binning process in which each order is inspected with a color meter to ensure uniformity.

## 2000K ONLY (2K4K) | Rf: 84.3 | Rg: 96.9

Color Vector Graphic

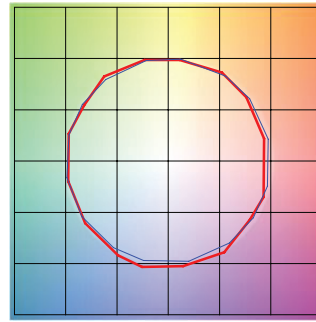


■ Test ■ Reference

HUE BIN	Rf	GRAPHIC SHIFTS %	
		CHROMA	HUE
1	80.3	-8.9%	1.7%
2	79.7	-7.0%	7.8%
3	78.9	-2.9%	10.0%
4	89.5	-0.5%	5.1%
5	94.4	0.7%	1.7%
6	92.1	2.4%	-0.3%
7	89.4	-2.4%	-5.9%
8	89.7	-6.4%	-0.2%
9	86.0	-4.9%	4.6%
10	81.8	-3.4%	9.3%
11	83.1	3.3%	9.7%
12	85.8	5.6%	3.3%
13	85.6	6.2%	-12.8%
14	61.7	-1.9%	-19.0%
15	79.7	-3.3%	-12.9%
16	78.1	-7.9%	-10.6%

## 3000K (2K4K) | Rf: 90.2 | Rg: 101.4

Color Vector Graphic

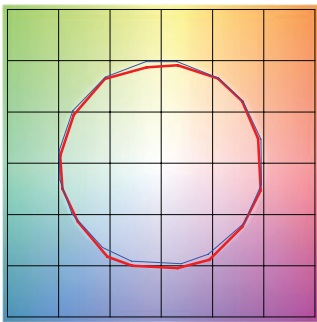


■ Test ■ Reference

HUE BIN	Rf	GRAPHIC SHIFTS %	
		CHROMA	HUE
1	90.9	-3.8%	1.3%
2	91.7	-1.9%	3.3%
3	88.7	0.7%	5.1%
4	92.4	-1.0%	0.7%
5	92.9	0.9%	1.7%
6	93.1	3.3%	-0.6%
7	91.0	-1.8%	-0.4%
8	97.0	0.2%	-1.1%
9	92.8	-0.5%	3.6%
10	88.3	1.0%	7.0%
11	87.1	3.8%	7.8%
12	87.6	6.5%	-0.3%
13	89.3	3.6%	-6.3%
14	86.1	4.5%	-9.1%
15	91.6	-1.9%	-3.1%
16	83.8	-1.5%	-11.2%

## 4000K ONLY (2K4K) | Rf: 89.6 | Rg: 99.1

Color Vector Graphic



■ Test ■ Reference

HUE BIN	Rf	GRAPHIC SHIFTS %	
		CHROMA	HUE
1	91.3	-2.5%	1.0%
2	95.3	-0.5%	0.5%
3	94.3	-0.7%	1.1%
4	91.1	-3.4%	-1.1%
5	89.5	-5.6%	0.0%
6	94.6	-1.4%	1.3%
7	93.2	-3.0%	2.6%
8	91.3	-1.8%	4.6%
9	86.5	-0.9%	9.1%
10	83.3	-0.5%	9.5%
11	83.3	4.9%	9.0%
12	89.7	4.1%	1.7%
13	90.1	3.6%	-4.3%
14	93.4	5.2%	-2.1%
15	87.4	0.4%	-4.3%
16	86.6	0.4%	-6.1%

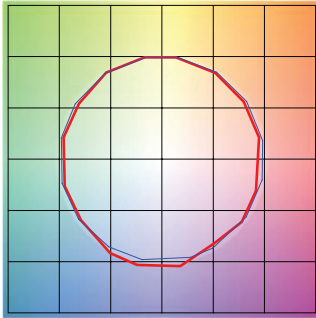
# LED STRIP TM30 DATA

5W | 7W STATIC WHITE, WARM DIM, TUNABLE WHITE, RGBTW

**TM-30-15 DATA:** The data below is for Tunable White bare LED Strip. Consistent color temperatures throughout a single strip and among multiple strips is possible through a 3 phase binning process in which each order is inspected with a color meter to ensure uniformity.

## 2000K ONLY (2K6K/27K6) | Rf: 90.6 | Rg: 98.5

Color Vector Graphic

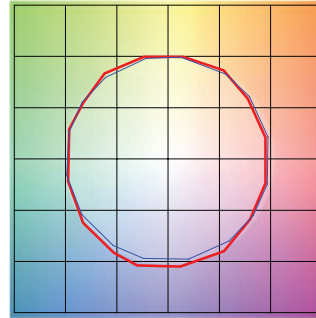


■ Test ■ Reference

		GRAPHIC SHIFTS %	
HUE BIN	Rf	CHROMA	HUE
1	87.7	-5.5%	1.2%
2	88.7	-3.9%	4.2%
3	90.5	-1.5%	4.3%
4	95.0	-1.7%	0.8%
5	95.2	-0.2%	2.1%
6	94.2	1.6%	1.9%
7	95.9	-0.8%	-2.2%
8	95.5	-1.7%	1.3%
9	93.8	-1.4	2.6%
10	91.9	-0.7%	4.2%
11	91.3	3.6%	3.7%
12	91.2	4.2%	-1.0%
13	86.6	3.8%	-12.7%
14	67.2	-3.0%	-16.3%
15	84.9	-3.3%	-9.4%
16	84.2	-5.7%	-7.5%

## 3000K (2K6K/27K6) | Rf: 90.5 | Rg: 100.7

Color Vector Graphic

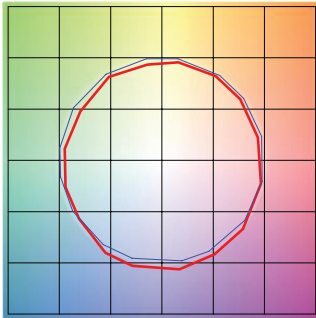


■ Test ■ Reference

		GRAPHIC SHIFTS %	
HUE BIN	Rf	CHROMA	HUE
1	91.5	-3.5%	1.2%
2	92.4	-1.8%	2.7%
3	89.8	0.3%	4.5%
4	92.4	-1.7%	0.4%
5	93.3	-0.1%	1.4%
6	94.5	2.1%	-0.6%
7	91.0	-2.5%	0.3%
8	96.9	-0.8%	-0.2%
9	91.6	-0.9%	4.6%
10	86.7	0.7%	7.8%
11	86.3	3.8%	8.5%
12	88.3	6.1%	0.6%
13	90.9	3.1%	-5.2%
14	87.3	4.7%	-7.9%
15	92.1	-1.9%	-2.5%
16	84.5	-0.9%	-10.9%

## 4000K ONLY (2K6K/27K6) | Rf: 86.4 | Rg: 96.1

Color Vector Graphic



■ Test ■ Reference

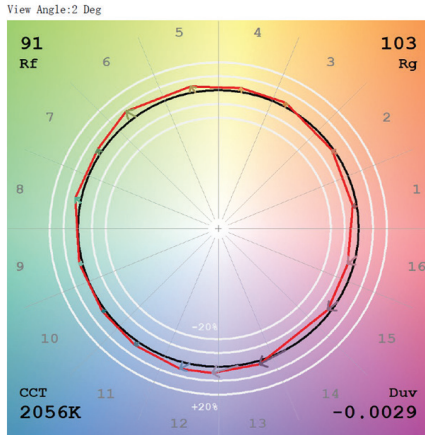
		GRAPHIC SHIFTS %	
HUE BIN	Rf	CHROMA	HUE
1	86.5	-5.5%	1.3%
2	90.4	-3.0%	2.3%
3	89.8	-2.1%	3.6%
4	89.1	-3.4%	0.4%
5	88.5	-5.9%	0.1%
6	93.6	-3.0%	-0.4%
7	88.9	-6.2%	1.7%
8	87.3	-5.0%	4.9%
9	82.4	-3.6%	11.3%
10	77.4	-1.8%	12.7%
11	79.8	4.9%	11.4%
12	88.7	4.4%	2.7%
13	88.7	4.0%	-5.1%
14	91.2	2.2%	-3.8%
15	82.7	-0.1%	-9.2%
16	82.8	-2.2%	-7.6%

# LED STRIP TM30 DATA

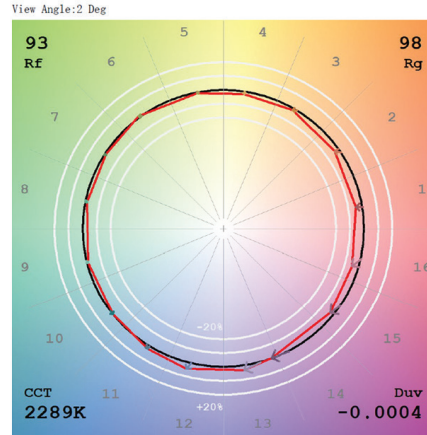
5W | 7W STATIC WHITE, WARM DIM, TUNABLE WHITE, RGBTW

**TM-30-15 DATA:** The data below is for TruColor™ RGBTW (S5W7) bare LED Strips. Consistent color temperatures throughout a single strip and among multiple strips is possible through a 3 phase binning process in which each order is inspected with a color meter to ensure uniformity.

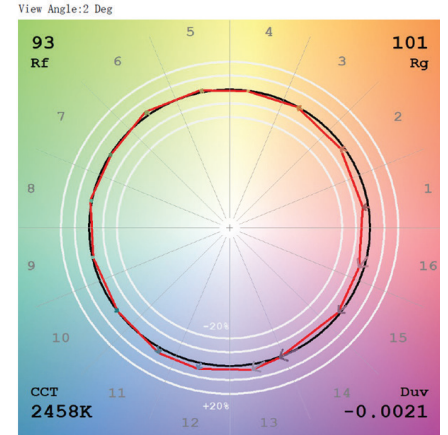
## 2000K (TruColor™ RGBTW)



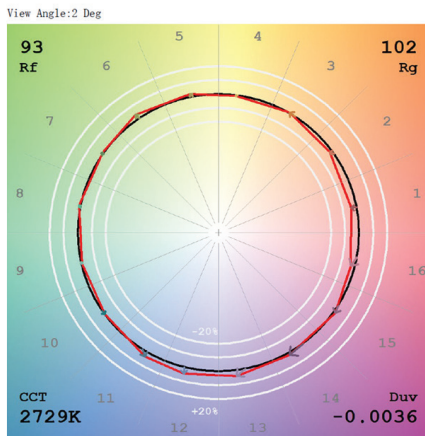
## 2200K (TruColor™ RGBTW)



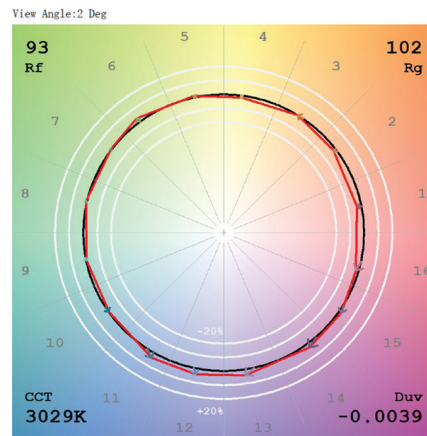
## 2400K (TruColor™ RGBTW)



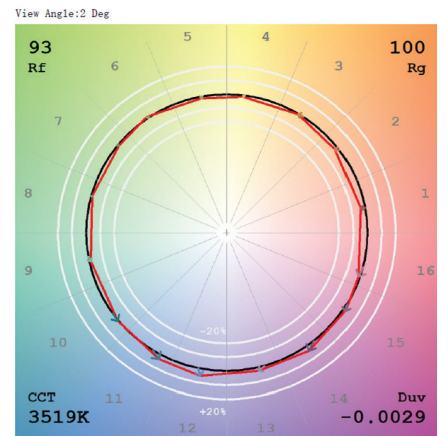
## 2700K (TruColor™ RGBTW)



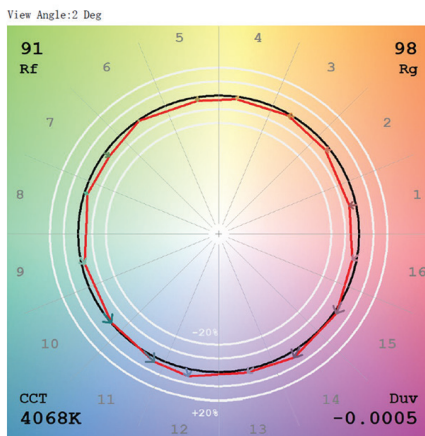
## 3000K (TruColor™ RGBTW)



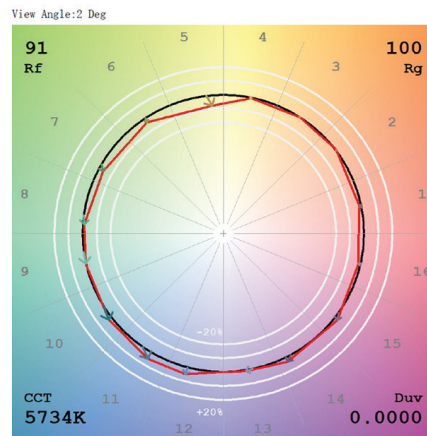
## 3500K (TruColor™ RGBTW)



## 4000K (TruColor™ RGBTW)



## 5700K (TruColor™ RGBTW)



## 6500K (TruColor™ RGBTW)

