

SOLINA 360 HOOP CEILING

24VDC, STATIC WHITE, WARM DIM, TUNABLE WHITE, & TRUCOLOR

ASSEMBLED IN AMERICA

REV 06.12.26



DESCRIPTION

Solina 360 Hoop Ceiling is an architectural lighting system that blends form and function to create continuous, 360-degree illumination without pixelation. Its sculptural, minimal design provides a striking visual element while delivering exceptional color rendering for a clean, uninterrupted glow.

Designed to offer both a sophisticated aesthetic and an inviting ambiance, Solina 360 enhances interiors with its fluid, seamless flow. Choose from Static White, Warm Dim (27D & 30D), Tunable White (2K4K & 27K6), or TruColor RGBTW which is our premier light engine with a wide spectrum from 1500K-6500K and exceptional color rendering (96+ CRI). TruColor RGBTW takes Tunable White to the next level. With the addition of the red, green, and blue channels to the Tunable White, we're able to achieve a level of quality, performance, and accuracy that was previously unattainable. TruColor RGBTW can be controlled with either DMX or WiZ Pro wireless controls. With flexible configuration options and precision engineering, Solina 360 Hoop Ceiling serves as both a functional lighting solution and a design statement, making it the perfect solution for a wide range of applications. For custom designs and quotes, send drawings to design@PureEdgeLighting.com.

LUMEN PERFORMANCE AT 3000K (D)

3W LUMEN OUTPUT	482 lm/ft	EFFICIENCY	138 lm/watt
CRI	93	Rg	101
BEAM ANGLE	360°	BEAM TOLERANCE	+/- 30CCT

SPECIFICATIONS

DIMENSIONS	DIA: C & D = 1.2"
INPUT	24VDC with 5" leads
POWER SUPPLIES	Remote 24VDC power supply required
POWER CONSUMPTION	3, 5, or 7 watts per foot
MATERIAL	UV Resistant Silicon
OPERATING TEMPERATURE	-4° F (-20° C) to 122° F (+50° C)
AVERAGE LED LIFE	50,000 hrs
WARRANTY	5 Year pro-rated

LAMP

- Static White Color Temperatures ranging from **2400K** through **4000K**
- Warm Dim: **27D** & **30D** dim down to 1800K, resembling halogen light sources
- Tunable White: **2K4K** and **27K6** grants independent control for adjusting color temperature and intensity
- **TruColor™ RGBTW** Dynamic RGB with Tunable White 1500K-6500K

REMOTE POWER SUPPLIES*, DIMMERS & CONTROLS (SOLD SEPARATELY)

24VDC, Class 2 wiring

Static White

- Pure Smart™ WiZ Pro [Power Supplies & Smart Controls](#)
- [UNI Driver: Universal Dimming \(ELV, TRIAC, 0-10V\)](#) ELV & TRIAC [Smart Dimmer & Switch](#)
- [2-in-1 96W Power Supply and Wall Dimmer](#)

Warm Dim

- [UNI Driver: Universal Dimming \(TRIAC, ELV, 0-10V\)](#)
- [Make It Smart: Pure Smart™ Wi-Fi Dimmer](#)
- [2-in-1 96W Power Supply and Wall Dimmer](#)

Tunable White

- [0-10V](#): Requires two dimmers, one for intensity and one for color temperature
- [DMX & Controls](#)
- Pure Smart™ WiZ Pro [Power Supplies & Smart Controls](#)
- [2-in-1 Power Driver and Dimmer](#)

RGBTW

- [Home Integration Solutions](#)
- Pure Smart™ WiZ Pro [Power Supplies & Smart Controls](#)

*In-wall mounting and drop ceiling kits available for select power supplies

COMPLIANCE

*Title 24 JA8 compliant for 2700K CCT and above when used with PureEdge remote Universal power supplies, ETL, Class 2, Damp Location, Assembled in USA.

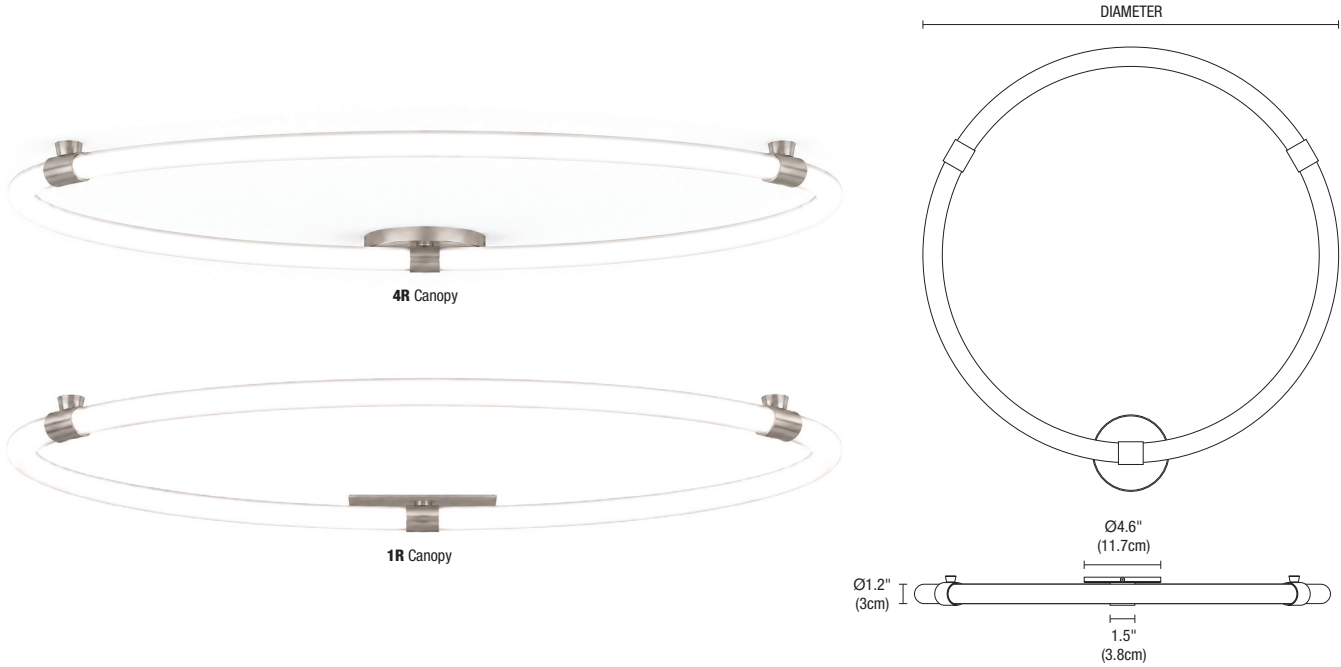
APPLICATIONS

Designed for indoor use only. Ideal applications include general lighting, residential, commercial, retail, and hospitality environments.

SOLINA 360 HOOP CEILING

24VDC, STATIC WHITE, WARM DIM, TUNABLE WHITE, & TRUCOLOR

HOOP MONOPOINT CEILING PENDANT



System	Type	Wattage	Canopy*	Diameter	Color Temperature	Finish
SLHCR	C	5W	4R	D18	30K	SN
SLHCR Solina Hoop Ceiling 1.2" Dia Tube with Remote Power	C Cora Weave Lens in 1.2" Dia Rigid Tubing D Diffused Lens in 1.2" Dia Rigid Tubing	3W* 3 Watts per foot 5W 5 watts per foot 7W 7 watts per foot	1R 1" Rectangular Canopy 4R 4.6" Round Canopy	D18 18" Diameter D24 24" Diameter D30 30" Diameter D36 36" Diameter D42 42" Diameter D48 48" Diameter D54 54" Diameter D60 60" Diameter D72 72" Diameter	24K 2400K Very Warm White 27K 2700K Incandescent White 27D 2700K Warm Dim, Dims to 1800K 30K 3000K Warm White 30D 3000K Warm Dim, Dims to 1800K 35K 3500K Neutral White 40K 4000K Cool White 2K4K Tunable White 2000K-4000K 27K6* Tunable White 2700K-6500K TC* TruColor RGBTW Red, Green, Blue, and Tunable White 1500K-6500K	BK Black MW Matte White RAL 9003 SB Satin Brass SN Satin Nickel PN Polished Nickel XX Custom*
		<small>*Only available in Static White color temperatures</small>		<small>*Custom sizes available upon request.</small>	<small>*5 Watts Only</small>	<small>*RAL/___ Specify RAL Powder Coat Code (ex: #RAL9007) Additional finishes are available with an extended lead time. Custom quotation is required prior to ordering.</small>

360 LENS OPTIONS



(C) Cora Weave Rigid Tube



(D) Diffused Rigid Tube

COVER FINISHES



Black



Polished Nickel



Satin Nickel



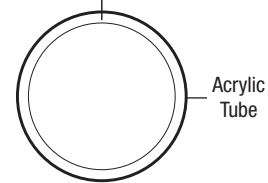
Satin Brass



Matte White
RAL 9003

360 ILLUMINATION

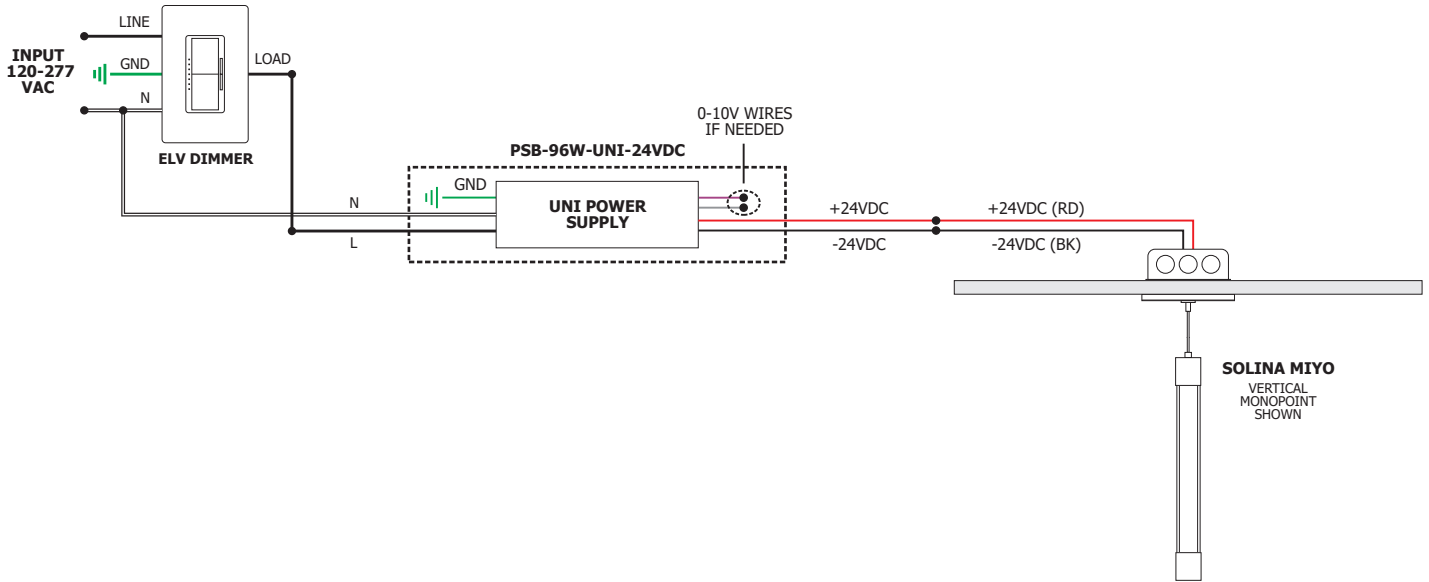
Cora Weave or Diffused Lens



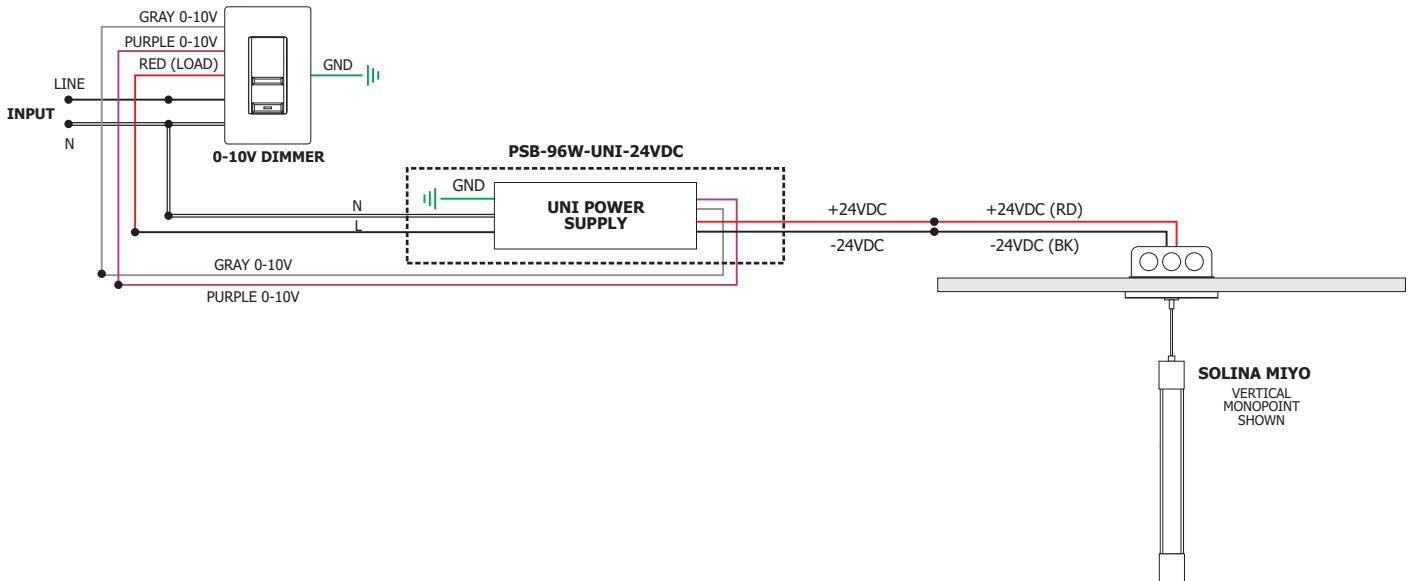
Ø1.2" (3cm)
C & D

STATIC WHITE & WARM DIM

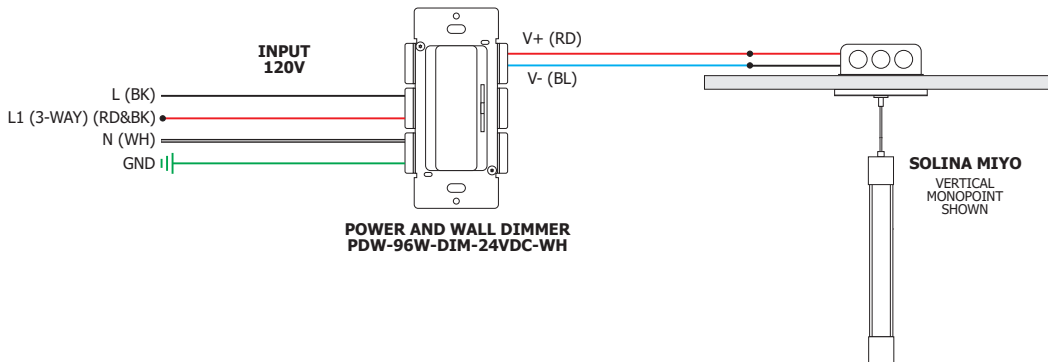
WIRING DIAGRAM: Single Junction Box



WIRING DIAGRAM: 0-10V

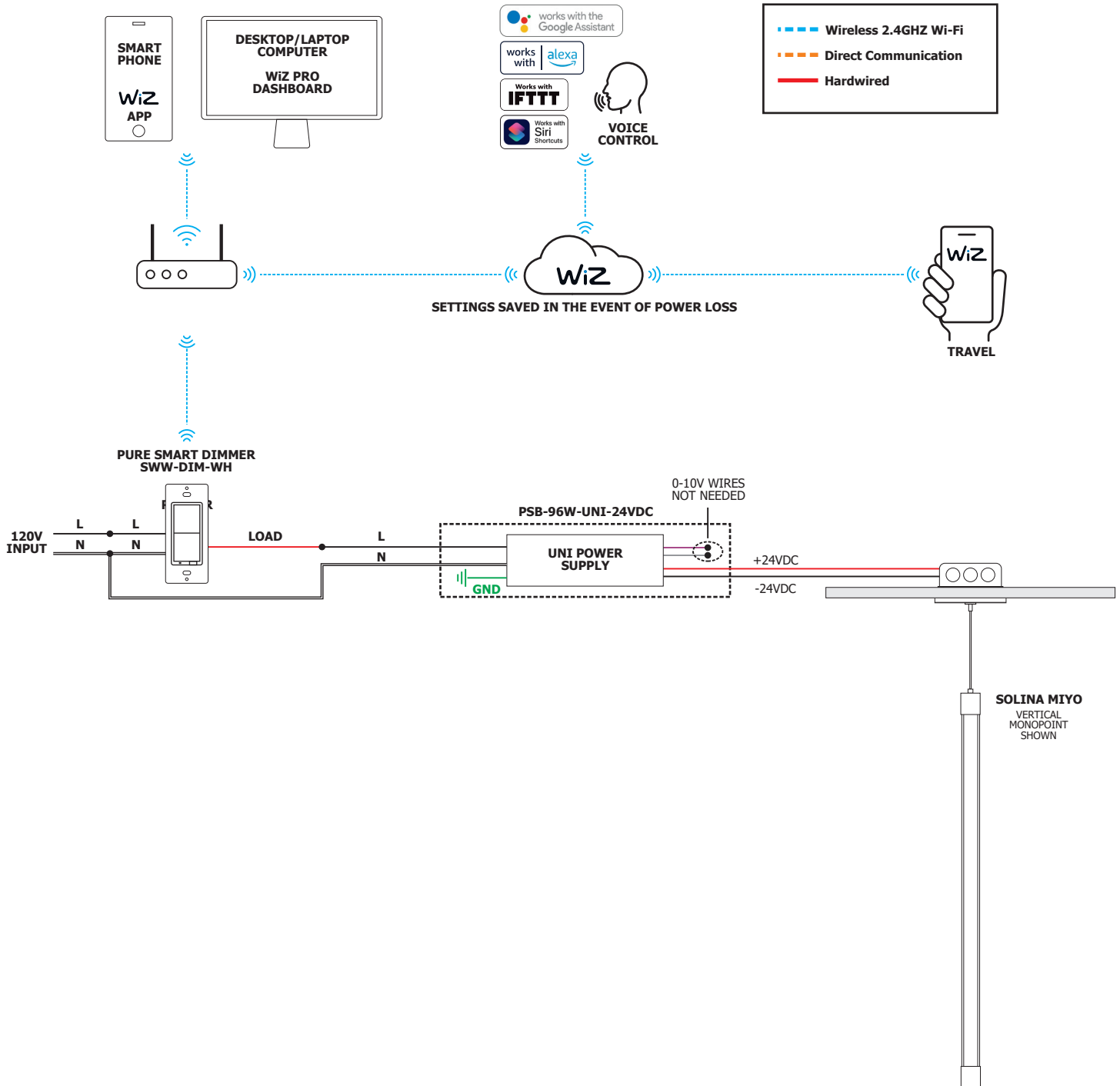


WIRING DIAGRAM: 2-IN-1 WALL DIMMER & POWER SUPPLY



STATIC WHITE & WARM DIM

WIRING DIAGRAM: Pure Smart



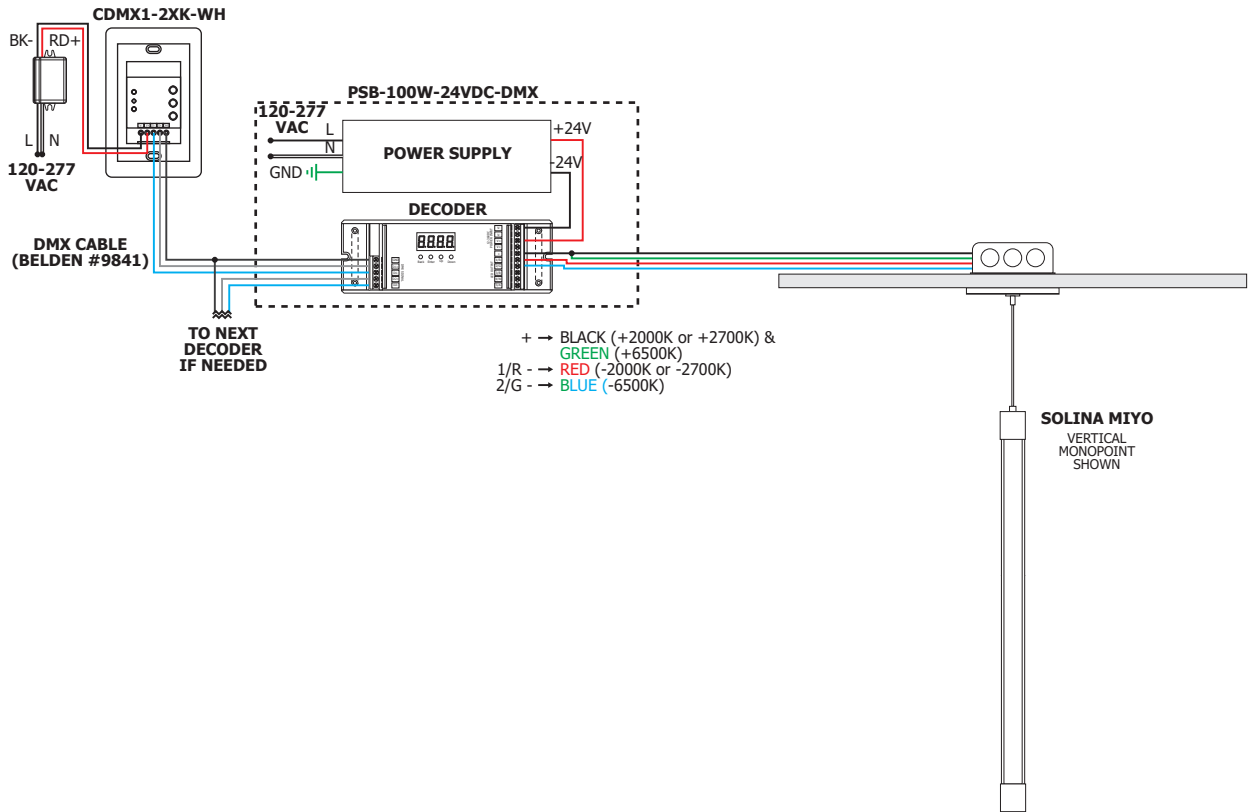
SOLINA 360 HOOP CEILING

24VDC, STATIC WHITE, WARM DIM, TUNABLE WHITE, & TRUCOLOR

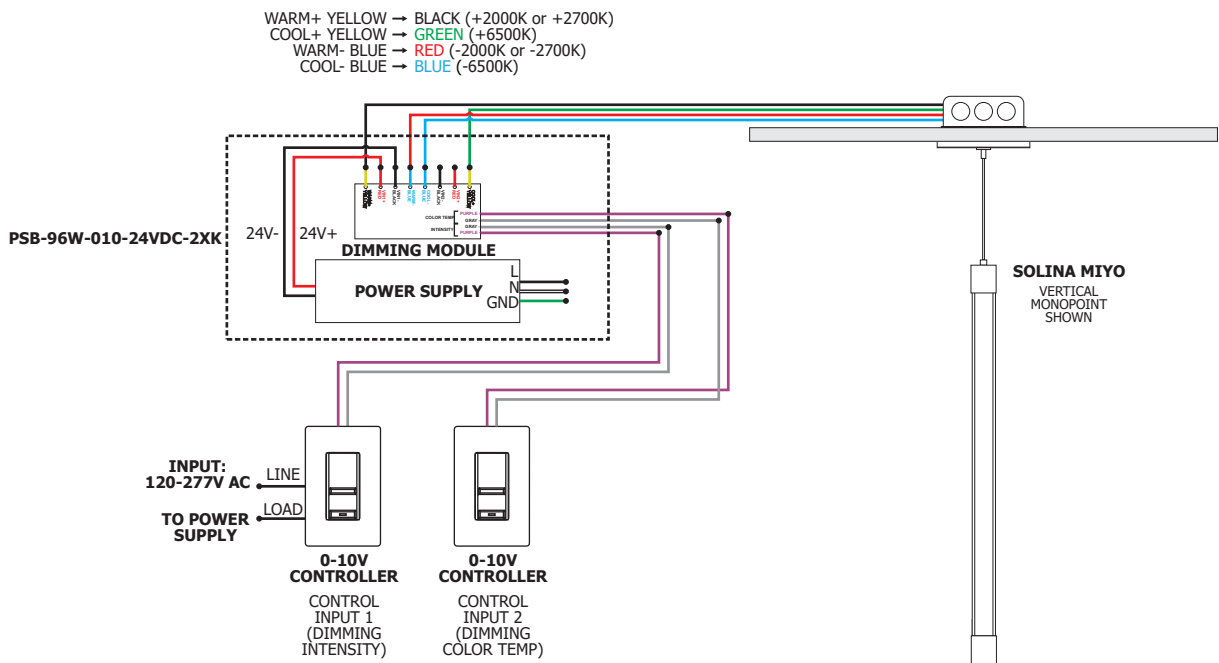
REV 06.12.26

TUNABLE WHITE

WIRING DIAGRAM: DMX Dimming

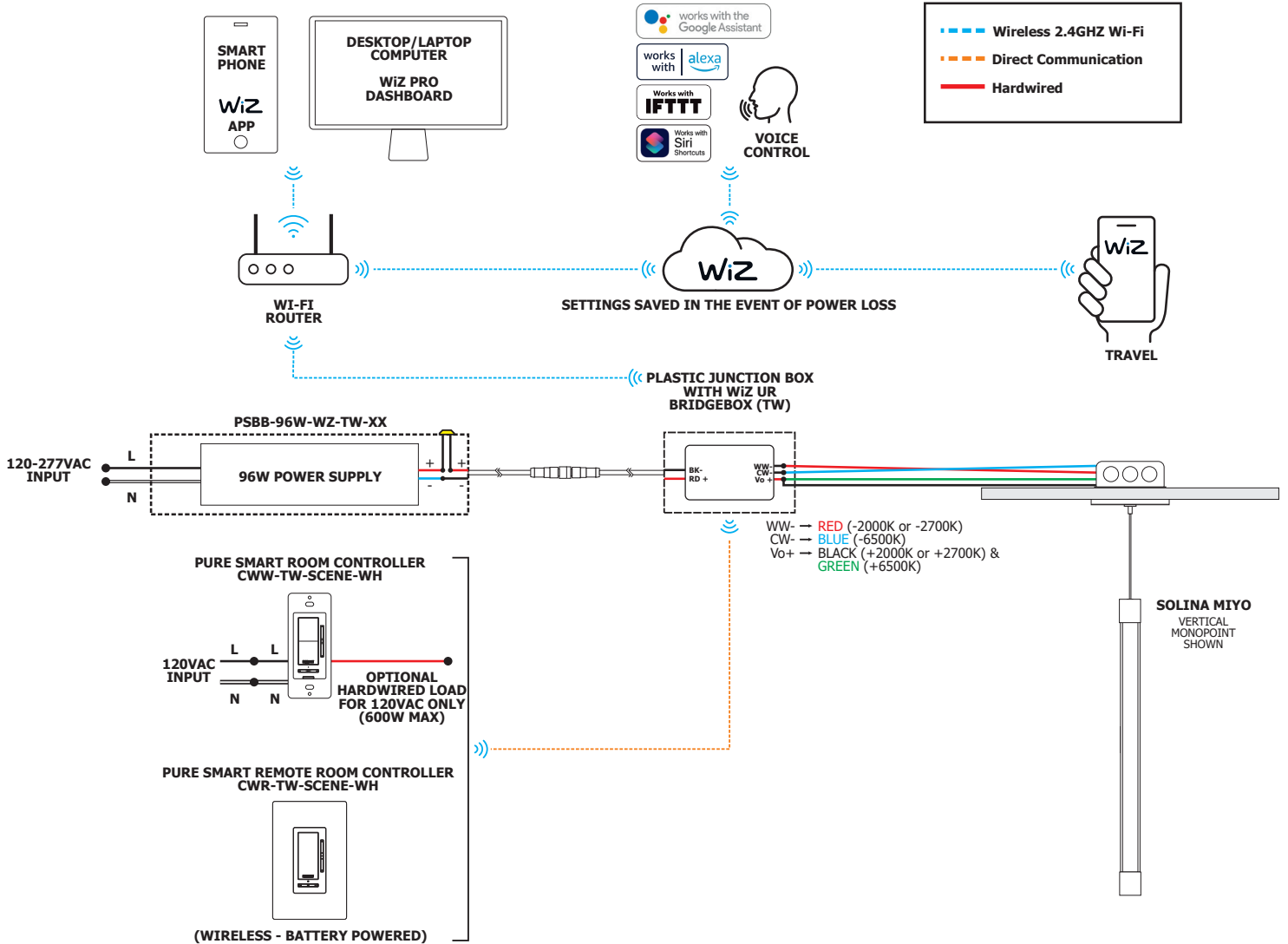


WIRING DIAGRAM: 0-10V

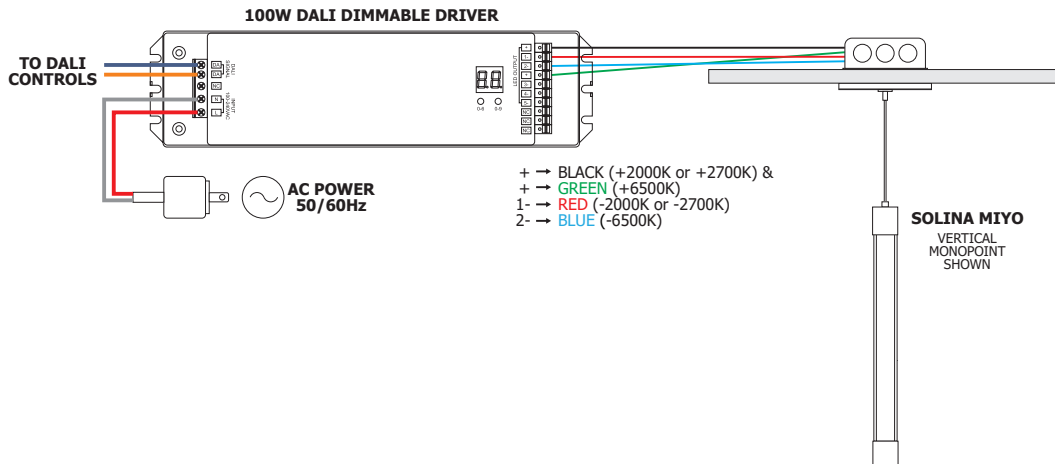


TUNABLE WHITE

WIRING DIAGRAM: Pure Smart Connected by WiZ

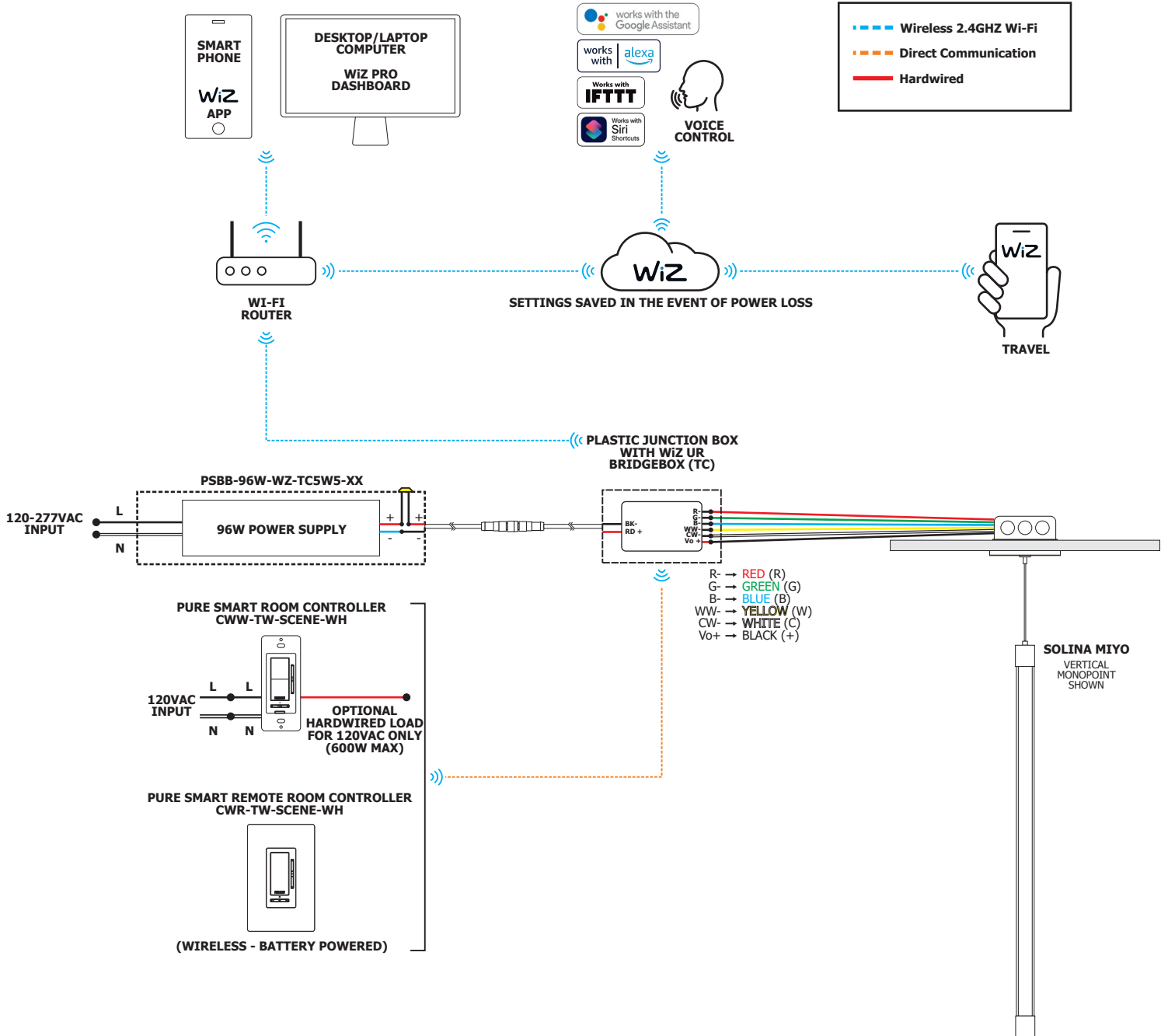


WIRING DIAGRAM: DALI



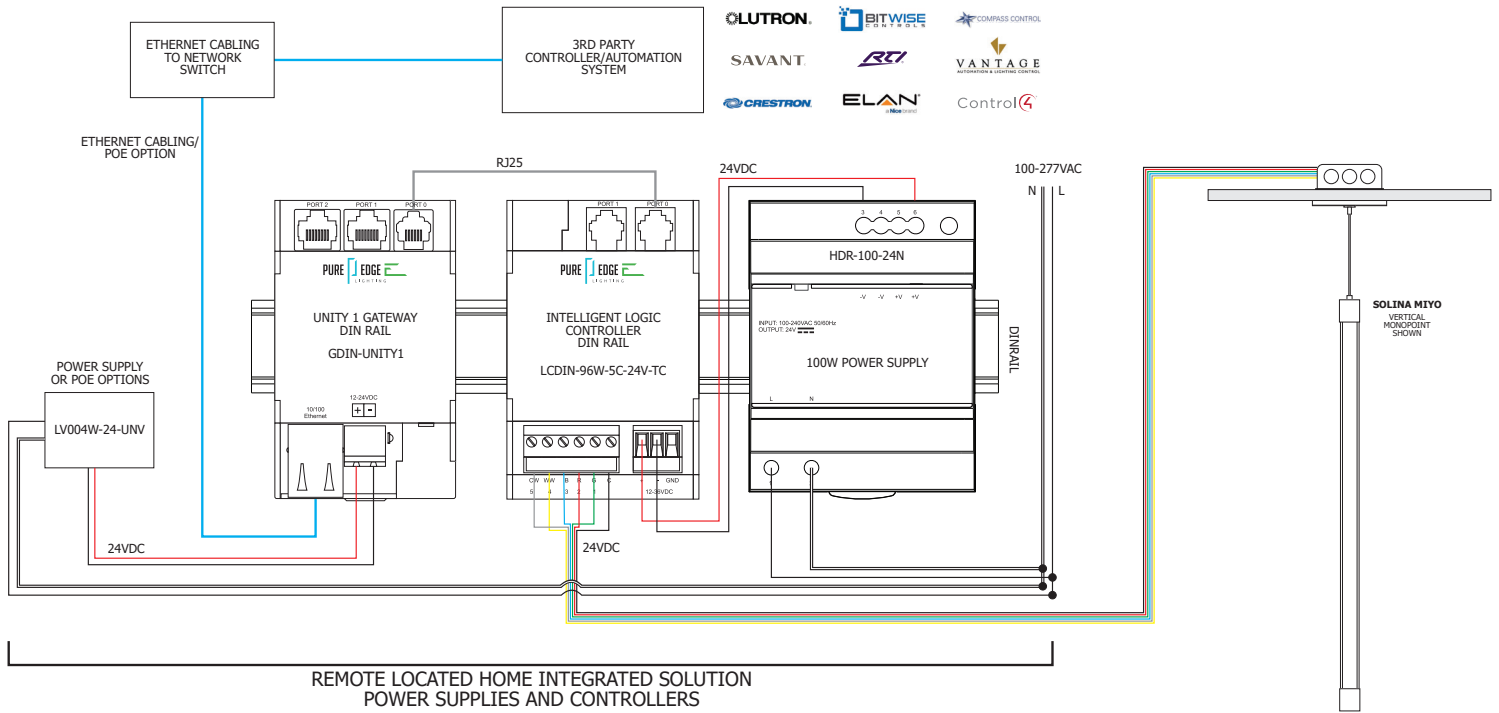
TRUCOLOR RGBTW

WIRING DIAGRAM: Pure Smart Connected by WiZ



TRUCOLOR RGBTW

WIRING DIAGRAM: Pure Smart Integration



SOLINA 360 HOOP CEILING

24VDC, STATIC WHITE, WARM DIM, TUNABLE WHITE, & TRUCOLOR

NOMINAL DELIVERED LUMENS

1C CORA WEAVE FLEX - STATIC WHITE & WARM DIM																			
WATTS PER FOOT	3W					5W					7W								
COLOR TEMPERATURE	24K	27K	30K	35K	40K	24K	27K	27D	30K	30D	35K	40K	24K	27K	27D	30K	30D	35K	40K
LUMENS PER FOOT (lm/ft)	402	418	423	422	512	642	661	355	680	375	652	822	924	967	502	978	543	943	1183
LUMENS PER WATT (lm/w)	112	117	121	120	145	112	117	63	121	65	120	151	111	121	60	120	66	117	146
CRI	95	94	93	93	93	95	94	95	93	96	93	93	96	94	96	93	95	93	93

1D DIFFUSED FLEX - STATIC WHITE & WARM DIM																			
WATTS PER FOOT	3W					5W					7W								
COLOR TEMPERATURE	24K	27K	30K	35K	40K	24K	27K	27D	30K	30D	35K	40K	24K	27K	27D	30K	30D	35K	40K
LUMENS PER FOOT (lm/ft)	459	476	482	481	584	732	754	405	775	428	743	937	1054	1103	572	1114	619	1074	1349
LUMENS PER WATT (lm/w)	128	133	138	137	166	128	133	71	138	74	137	172	126	138	69	137	75	133	167
CRI	95	96	93	93	93	95	94	95	93	96	93	93	96	94	96	93	95	93	93

1C CORA WEAVE FLEX - 2K4K TUNABLE WHITE														
WATTS PER FOOT	5W							7W						
COLOR TEMPERATURE	20K	22K	24K	27K	30K	35K	40K	20K	22K	24K	27K	30K	35K	40K
LUMENS PER FOOT (lm/ft)	258	334	334	337	351	403	393	415	549	549	554	578	663	629
LUMENS PER WATT (lm/w)	55	69	67	66	67	77	76	59	76	74	73	74	86	82
CRI	93	93	93	96	96	93	93	93	93	93	96	96	93	93

1D DIFFUSED FLEX - 2K4K TUNABLE WHITE														
WATTS PER FOOT	5W							7W						
COLOR TEMPERATURE	20K	22K	24K	27K	30K	35K	40K	20K	22K	24K	27K	30K	35K	40K
LUMENS PER FOOT (lm/ft)	294	380	380	384	400	459	448	473	625	625	632	658	755	717
LUMENS PER WATT (lm/w)	62	78	76	75	76	88	86	67	87	85	83	85	98	94
CRI	93	93	93	96	96	93	93	93	93	93	96	96	93	93

1C CORA WEAVE FLEX - 27K6 TUNABLE WHITE							
WATTS PER FOOT	5W						
COLOR TEMPERATURE	27K	30K	35K	40K	45K	57K	65K
LUMENS PER FOOT (lm/ft)	214	254	261	268	293	315	300
LUMENS PER WATT (lm/w)	54	51	52	54	59	63	75
CRI	94+	93+	92+	92+	92+	92+	91+

1D DIFFUSED FLEX - 27K6 TUNABLE WHITE							
WATTS PER FOOT	5W						
COLOR TEMPERATURE	27K	30K	35K	40K	45K	57K	65K
LUMENS PER FOOT (lm/ft)	244	290	298	306	334	359	342
LUMENS PER WATT (lm/w)	49	46	48	49	53	58	68
CRI	94+	93+	92+	92+	92+	92+	91+

1C CORA WEAVE FLEX - TRUCOLOR RGBTW									
WATTS PER FOOT	5W								
COLOR TEMPERATURE	20K	22K	24K	27K	30K	35K	40K	57K	65K
LUMENS PER FOOT (lm/ft)	98	111	115	122	127	136	139	111	104
LUMENS PER WATT (lm/w)	19	22	24	28	30	30	29	28	35
CRI	92	94	95	95	96	97	97	92	90

1D DIFFUSED FLEX - TRUCOLOR RGBTW									
WATTS PER FOOT	5W								
COLOR TEMPERATURE	20K	22K	24K	27K	30K	35K	40K	57K	65K
LUMENS PER FOOT (lm/ft)	101	114	118	125	239	140	143	114	107
LUMENS PER WATT (lm/w)	48	54	56	30	58	34	68	54	51
CRI	93	93	93	96	96	96	94	94	94

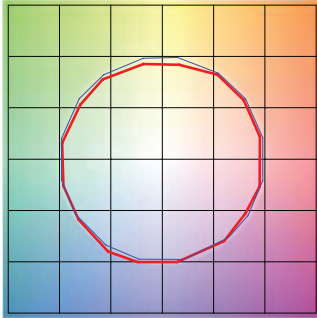
LED STRIP TM30 DATA

5W | 7W STATIC WHITE, WARM DIM, TUNABLE WHITE, RGBTW

TM-30-15 DATA: The data below is for bare LED Static White Strip. Consistent color temperatures throughout a single strip and among multiple strips is possible through a 3 phase binning process in which each order is inspected with a color meter to ensure uniformity.

2400K | Rf: 84.5 | Rg: 94.4

Color Vector Graphic

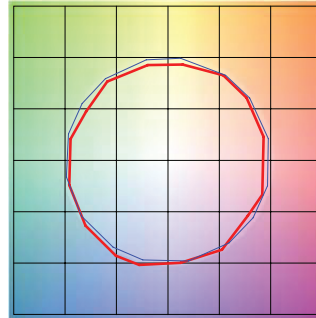


■ Test ■ Reference

HUE BIN	Rf	GRAPHIC SHIFTS %	
		CHROMA	HUE
1	92	-2.4%	1.5%
2	94.7	-2.1%	-0.0%
3	95.4	-1.9%	-0.1%
4	88.7	-6.7%	-3.1%
5	92.8	-5.6%	1.0%
6	92.7	-3.4%	3.4%
7	89.9	-4.3%	4.1%
8	92.4	-1.4%	4.4%
9	89	-0.6%	5.8%
10	88.9	0.4%	6.2%
11	89.7	4.0%	5.4%
12	92.6	3.0%	-0.7%
13	90.9	1.1%	-7.0%
14	89.9	0.5%	-5.8%
15	92.1	-3.2%	0.1%
16	88.9	-1.7%	-6.3%

2700K | Rf: 87.7 | Rg: 96.1

Color Vector Graphic

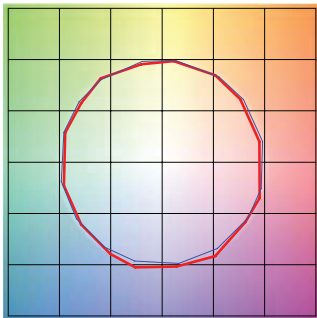


■ Test ■ Reference

HUE BIN	Rf	GRAPHIC SHIFTS %	
		CHROMA	HUE
1	88.0	-4.3%	2.6%
2	91.6	-2.4%	2.0%
3	93.7	-1.4%	1.9%
4	88.9	-5.6%	-3.1%
5	92.3	-5.5%	-0.5%
6	92.9	-3.5%	0.1%
7	84.5	-7.5%	4.6%
8	90.8	-3.0%	4.4%
9	84.5	-1.3%	8.3%
10	83.9	2.0%	9.8%
11	87.2	5.3%	7.1%
12	89.2	5.4%	-2.6%
13	88.7	0.3%	-7.8%
14	86.8	1.7%	-9.3%
15	87.6	-5.4%	-1.3%
16	83.6	-3.3%	-9.5%

3000K | Rf: 88.1 | Rg: 99.7

Color Vector Graphic

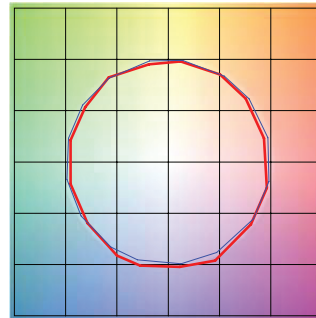


■ Test ■ Reference

HUE BIN	Rf	GRAPHIC SHIFTS %	
		CHROMA	HUE
1	92.5	-3.1%	0.3%
2	93.3	-2.3%	1.9%
3	90.9	-0.8%	3.9%
4	94.3	-1.1%	1.4%
5	92.5	-2.6%	1.5%
6	96.4	1.2%	-0.3%
7	92.6	-2.5%	-0.0%
8	96.9	-1.4%	0.2%
9	92.3	-1.8%	4.3%
10	86.6	-0.7%	7.0%
11	86.5	2.4%	8.2%
12	89.8	5.9%	1.7%
13	93.9	2.6%	-2.7%
14	89.4	5.1%	-5.8%
15	90.1	-0.1%	-4.7%
16	86.5	0.3%	-9.7%

3500K | Rf: 86.1 | Rg: 95.5

Color Vector Graphic

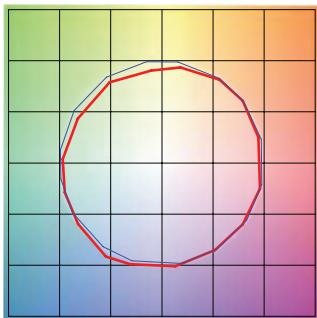


■ Test ■ Reference

HUE BIN	Rf	GRAPHIC SHIFTS %	
		CHROMA	HUE
1	90.8	-3.8%	0.3%
2	92.3	-2.8%	2.1%
3	89.7	-1.0%	4.3%
4	92.6	-1.4%	1.7%
5	91.8	-3.1%	1.3%
6	96.2	0.8%	-0.4%
7	92.9	-3.2%	0.2%
8	94.3	-2.5%	1.5%
9	90.4	-2.5%	5.2%
10	84.3	-1.4%	9.5%
11	83.1	3.5%	9.8%
12	88.2	4.8%	3.4%
13	94.0	2.7%	-2.0%
14	88.7	5.9%	-5.8%
15	88.7	0.7%	-5.9%
16	86.8	-0.7%	-6.7%

4000K | Rf: 87.6 | Rg: 96.8

Color Vector Graphic



■ Test ■ Reference

HUE BIN	Rf	GRAPHIC SHIFTS %	
		CHROMA	HUE
1	88.9	-2.4%	2.5%
2	93.3	-0.4%	0.8%
3	94.8	-1.0%	-0.6%
4	87.9	-4.9%	-3.6%
5	85.3	-9.4%	-2.6%
6	90.2	-6.0%	0.2%
7	85.3	-7.6%	4.6%
8	83.7	-4.1%	8.2%
9	79.5	-1.1%	13.8%
10	78.6	1.5%	12.1%
11	83.5	6.4%	7.8%
12	90.9	3.6%	-1.1%
13	88.3	1.7%	-6.3%
14	91.9	-0.4%	-2.2%
15	84.5	-0.9%	-5.5%
16	84.7	-1.1%	-4.4%

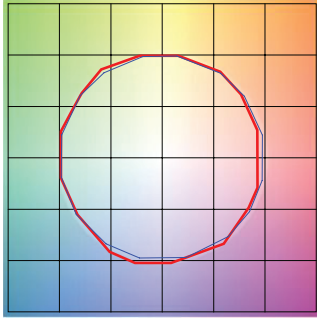
LED STRIP TM30 DATA

5W | 7W STATIC WHITE, WARM DIM, TUNABLE WHITE, RGBTW

TM-30-15 DATA: The data below is for bare LED Warm Dim Strip. Consistent color temperatures throughout a single strip and among multiple strips is possible through a 3 phase binning process in which each order is inspected with a color meter to ensure uniformity.

2700D | Rf: 90.7 | Rg: 101.1

Color Vector Graphic

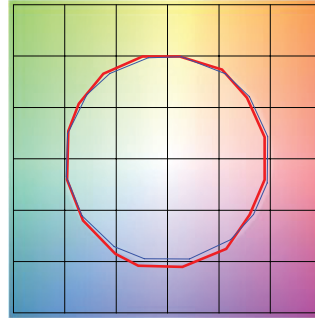


■ Test ■ Reference

		GRAPHIC SHIFTS %	
HUE BIN	Rf	CHROMA	HUE
1	90.9	-4.1%	1.1%
2	91.8	-2.2%	3.2%
3	89.0	0.2%	5.0%
4	92.9	-1.1%	0.8%
5	93.9	1.1%	1.7%
6	93.3	3.3%	0.0%
7	93.1	-0.5%	-1.9%
8	97.2	-0.3%	-0.9%
9	93.4	-1.0%	3.2%
10	89.9	-0.1%	5.6%
11	87.0	4.7%	7.2%
12	89.2	5.8%	-0.2%
13	89.1	3.5%	-6.7%
14	86.3	4.1%	-9.2%
15	91.4	-2.0%	-3.6%
16	84.7	-2.1%	-10.3%

3000D | Rf: 90.6 | Rg: 101.1

Color Vector Graphic



■ Test ■ Reference

		GRAPHIC SHIFTS %	
HUE BIN	Rf	CHROMA	HUE
1	91.5	-3.5%	1.3%
2	92.2	-1.8%	3.0%
3	89.3	0.5%	4.8%
4	92.7	-1.1%	0.6%
5	93.3	0.5%	1.4%
6	93.8	2.7%	-0.8%
7	91.2	-2.1%	-0.2%
8	97.0	-0.5%	-0.7%
9	92.5	-0.7%	3.8%
10	88.3	0.9%	7.1%
11	87.5	3.9%	7.6%
12	88.2	6.2%	-0.2%
13	89.9	3.4%	-6.0%
14	86.9	4.4%	-8.5%
15	91.9	-1.9%	-2.9%
16	84.7	-1.3%	-10.6%

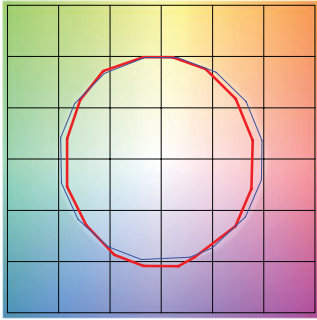
LED STRIP TM30 DATA

5W | 7W STATIC WHITE, WARM DIM, TUNABLE WHITE, RGBTW

TM-30-15 DATA: The data below is for LS5 bare Lazer Strips. Consistent color temperatures throughout a single strip and among multiple strips is possible through a 3 phase binning process in which each order is inspected with a color meter to ensure uniformity.

2000K ONLY (2K4K) | Rf: 84.3 | Rg: 96.9

Color Vector Graphic

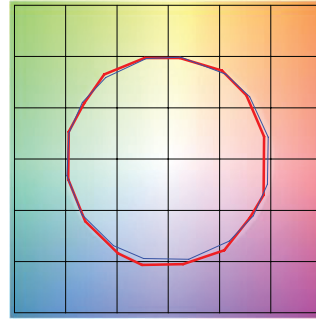


■ Test ■ Reference

HUE BIN	Rf	GRAPHIC SHIFTS %	
		CHROMA	HUE
1	80.3	-8.9%	1.7%
2	79.7	-7.0%	7.8%
3	78.9	-2.9%	10.0%
4	89.5	-0.5%	5.1%
5	94.4	0.7%	1.7%
6	92.1	2.4%	-0.3%
7	89.4	-2.4%	-5.9%
8	89.7	-6.4%	-0.2%
9	86.0	-4.9%	4.6%
10	81.8	-3.4%	9.3%
11	83.1	3.3%	9.7%
12	85.8	5.6%	3.3%
13	85.6	6.2%	-12.8%
14	61.7	-1.9%	-19.0%
15	79.7	-3.3%	-12.9%
16	78.1	-7.9%	-10.6%

3000K (2K4K) | Rf: 90.2 | Rg: 101.4

Color Vector Graphic

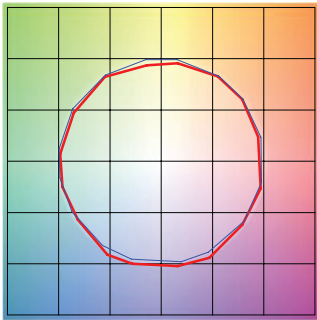


■ Test ■ Reference

HUE BIN	Rf	GRAPHIC SHIFTS %	
		CHROMA	HUE
1	90.9	-3.8%	1.3%
2	91.7	-1.9%	3.3%
3	88.7	0.7%	5.1%
4	92.4	-1.0%	0.7%
5	92.9	0.9%	1.7%
6	93.1	3.3%	-0.6%
7	91.0	-1.8%	-0.4%
8	97.0	0.2%	-1.1%
9	92.8	-0.5%	3.6%
10	88.3	1.0%	7.0%
11	87.1	3.8%	7.8%
12	87.6	6.5%	-0.3%
13	89.3	3.6%	-6.3%
14	86.1	4.5%	-9.1%
15	91.6	-1.9%	-3.1%
16	83.8	-1.5%	-11.2%

4000K ONLY (2K4K) | Rf: 89.6 | Rg: 99.1

Color Vector Graphic



■ Test ■ Reference

HUE BIN	Rf	GRAPHIC SHIFTS %	
		CHROMA	HUE
1	91.3	-2.5%	1.0%
2	95.3	-0.5%	0.5%
3	94.3	-0.7%	1.1%
4	91.1	-3.4%	-1.1%
5	89.5	-5.6%	0.0%
6	94.6	-1.4%	1.3%
7	93.2	-3.0%	2.6%
8	91.3	-1.8%	4.6%
9	86.5	-0.9%	9.1%
10	83.3	-0.5%	9.5%
11	83.3	4.9%	9.0%
12	89.7	4.1%	1.7%
13	90.1	3.6%	-4.3%
14	93.4	5.2%	-2.1%
15	87.4	0.4%	-4.3%
16	86.6	0.4%	-6.1%

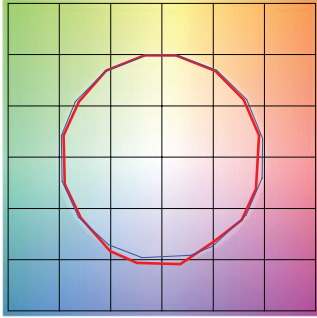
LED STRIP TM30 DATA

5W | 7W STATIC WHITE, WARM DIM, TUNABLE WHITE, RGBTW

TM-30-15 DATA: The data below is for Tunable White bare LED Strip. Consistent color temperatures throughout a single strip and among multiple strips is possible through a 3 phase binning process in which each order is inspected with a color meter to ensure uniformity.

2000K ONLY (2K6K/27K6) | Rf: 90.6 | Rg: 98.5

Color Vector Graphic

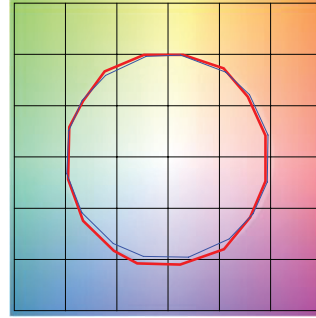


■ Test ■ Reference

		GRAPHIC SHIFTS %	
HUE BIN	Rf	CHROMA	HUE
1	87.7	-5.5%	1.2%
2	88.7	-3.9%	4.2%
3	90.5	-1.5%	4.3%
4	95.0	-1.7%	0.8%
5	95.2	-0.2%	2.1%
6	94.2	1.6%	1.9%
7	95.9	-0.8%	-2.2%
8	95.5	-1.7%	1.3%
9	93.8	-1.4	2.6%
10	91.9	-0.7%	4.2%
11	91.3	3.6%	3.7%
12	91.2	4.2%	-1.0%
13	86.6	3.8%	-12.7%
14	67.2	-3.0%	-16.3%
15	84.9	-3.3%	-9.4%
16	84.2	-5.7%	-7.5%

3000K (2K6K/27K6) | Rf: 90.5 | Rg: 100.7

Color Vector Graphic

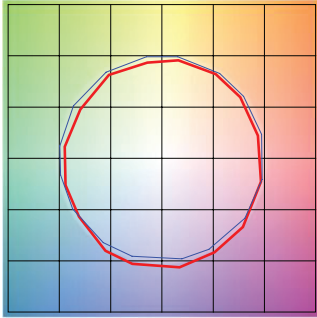


■ Test ■ Reference

		GRAPHIC SHIFTS %	
HUE BIN	Rf	CHROMA	HUE
1	91.5	-3.5%	1.2%
2	92.4	-1.8%	2.7%
3	89.8	0.3%	4.5%
4	92.4	-1.7%	0.4%
5	93.3	-0.1%	1.4%
6	94.5	2.1%	-0.6%
7	91.0	-2.5%	0.3%
8	96.9	-0.8%	-0.2%
9	91.6	-0.9%	4.6%
10	86.7	0.7%	7.8%
11	86.3	3.8%	8.5%
12	88.3	6.1%	0.6%
13	90.9	3.1%	-5.2%
14	87.3	4.7%	-7.9%
15	92.1	-1.9%	-2.5%
16	84.5	-0.9%	-10.9%

4000K ONLY (2K6K/27K6) | Rf: 86.4 | Rg: 96.1

Color Vector Graphic



■ Test ■ Reference

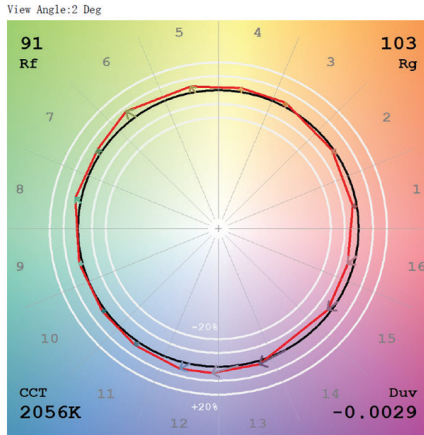
		GRAPHIC SHIFTS %	
HUE BIN	Rf	CHROMA	HUE
1	86.5	-5.5%	1.3%
2	90.4	-3.0%	2.3%
3	89.8	-2.1%	3.6%
4	89.1	-3.4%	0.4%
5	88.5	-5.9%	0.1%
6	93.6	-3.0%	-0.4%
7	88.9	-6.2%	1.7%
8	87.3	-5.0%	4.9%
9	82.4	-3.6%	11.3%
10	77.4	-1.8%	12.7%
11	79.8	4.9%	11.4%
12	88.7	4.4%	2.7%
13	88.7	4.0%	-5.1%
14	91.2	2.2%	-3.8%
15	82.7	-0.1%	-9.2%
16	82.8	-2.2%	-7.6%

LED STRIP TM30 DATA

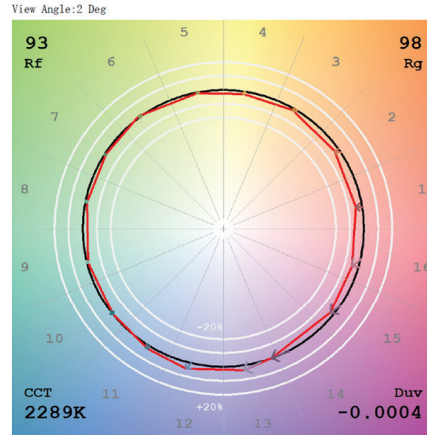
5W | 7W STATIC WHITE, WARM DIM, TUNABLE WHITE, RGBTW

TM-30-15 DATA: The data below is for TruColor™ RGBTW (S5W7) bare LED Strips. Consistent color temperatures throughout a single strip and among multiple strips is possible through a 3 phase binning process in which each order is inspected with a color meter to ensure uniformity.

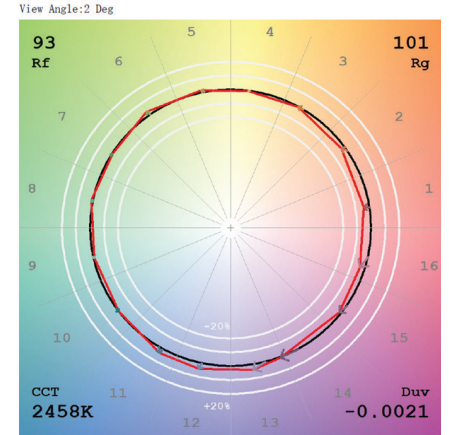
2000K (TruColor™ RGBTW)



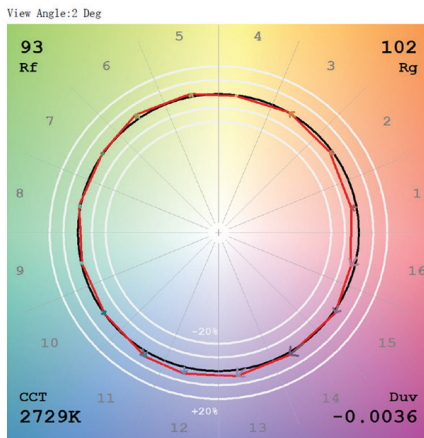
2200K (TruColor™ RGBTW)



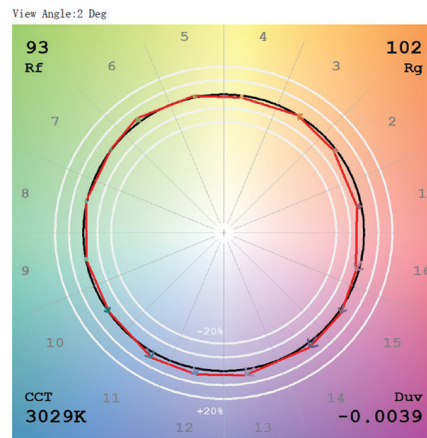
2400K (TruColor™ RGBTW)



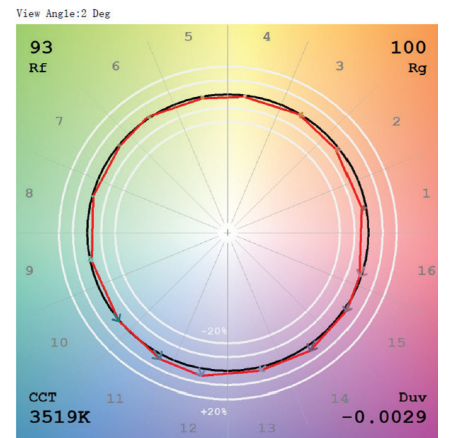
2700K (TruColor™ RGBTW)



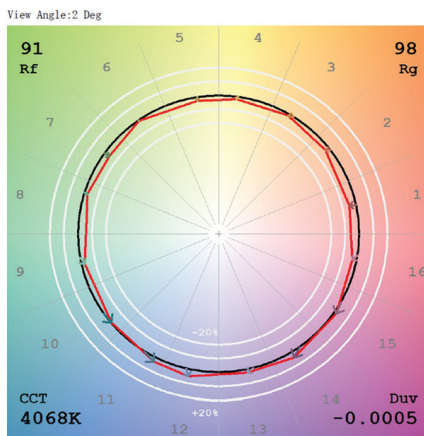
3000K (TruColor™ RGBTW)



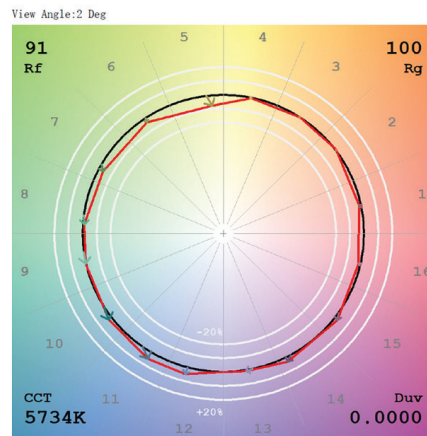
3500K (TruColor™ RGBTW)



4000K (TruColor™ RGBTW)



5700K (TruColor™ RGBTW)



6500K (TruColor™ RGBTW)

