

# RADIANT LARGE WITH FAST JACK CANOPY

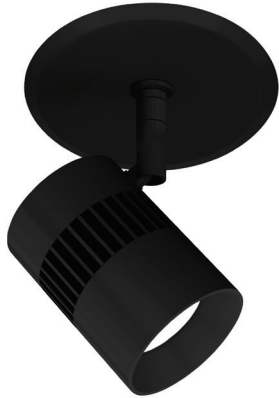
24VDC INTEGRATED LED, STATIC WHITE & WARM DIM TECHNOLOGY

DESIGNED BY GREGORY KAY | ASSEMBLED IN AMERICA

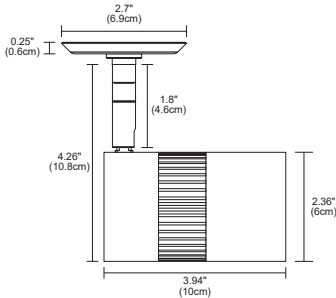
REV 05.28.24



MR2R-RADL-SP-30K-WH



MR4R-RADL-SP-30K-BK



## DESCRIPTION

The Radiant Large Track Head with Fast Jack (**FJ**) Canopy forms the perfect marriage of technology and stealth design. The 14-watt, Low Voltage 24VDC fixture is offered with your choice of four beam spreads, optional field-changeable lenses available. The flat-back cylinder with a radiant heat sink swivels 90° vertically and 360° horizontally. Available in 5 color temperatures, including Warm Dim (**30D**), that dims from 3000K-1800K, exhibiting high-grade color rendering as high as 98 CRI and R9-92. Made from Billet Aluminum, producing a high degree of precision and maximum light output within a small package. Radiant Large is ideal for residential, commercial, and retail environments. 5-year pro-rated warranty. For custom quotes and layout assistance, send your drawings and ideas to our design team: [design@PureEdgeLighting.com](mailto:design@PureEdgeLighting.com).

## MOUNTING OPTIONS

For use with any PureEdge Fast Jack Port Canopies with corresponding power supply (Remote Power sold separately)

## REMOTE POWER SUPPLIES (SOLD SEPARATELY)

- [Uni Trim Power Supply](#) Universal Dimming (**TRIAC, ELV, 0-10V**)  
ELV & TRIAC [Smart Dimmer & Switch](#)

## DIMMING

- ELV, 0-10V, TRIAC with corresponding power Supply
- Dimmable to 1%, Flicker less than 2%
- Compatible with Lutron Diva, Skylark and Legrand 0-10 Volt dimmers

## LAMPING

	BEAM ANGLE REFERENCE 45°				
COLOR TEMPERATURE	24K	27K	30K	30D	35K
TOTAL LUMENS	1389	1161	1199	838	1422
WATTS	14	14	14	14	14
LUMENS PER WATT (lm/w)	99	83	86	58	102
CRI	97	92	93	97	98
TM-30 DATA	R9: 60 Rf: 93 Rg: 98	R9: 97 Rf: 92 Rg: 100	R9: 64 Rf: 91 Rg: 98	R9: 90 Rf: 95 Rg: 102	R9: 92 Rf: 94 Rg: 101
LAMP LIFE	60,000 Hours, 70% Lumen Maintenance				

## ACCESSORIES

Additional lenses can be ordered and changed in the field offered in **NS** (10°), **SP** (20°), **NF** (35°), **FL** (45°), **WF** (60°) beam spread options.

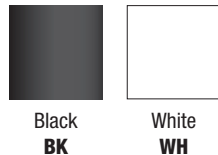
## APPLICATIONS

Designed for indoor use only, dry and damp locations. Ideal applications in Commercial, Retail, Residential, Hospitality, Education, and Healthcare Institutions.

## WARRANTY / LABELS

Pro-rated 5 year warranty. Assembled in America, ETL (Conforms to UL1598 and CSA 22.2 #250.0) RoHs, Title24 JA8 listed with universal power supplies in 27K> CCT.

## FINISHES



## Remote Power Supply

Type	Fixture	Beam Spread	Color Temperature	Finish
<b>MR2R</b>	<b>RADL</b>	<b>NF</b>	<b>30K</b>	<b>BK</b>
<b>MR2R</b> Mono-Point 2" Round Flat Canopy with Remote Power	<b>RADL</b> Radiant Large	<b>NS</b> Narrow Spot 10° <b>SP</b> Spot 20° <b>NF</b> Narrow Flood 35° <b>FL</b> Flood 45° <b>WF</b> Wide Flood 60°	<b>24K</b> 2400K Very Warm White <b>27K</b> 2700K Incandescent White <b>30D</b> 3000K Warm Dim to 1800K* <b>30K</b> 3000K Warm White <b>35K</b> 3500K Neutral White	<b>BK</b> Black Powder Coat <b>WH</b> White Powder Coat
<b>MR4R</b> Mono-Point 4" Round Flat Canopy with Remote Power				
<b>2RRE</b> 2-Port 12" Rectangular Canopy with Remote Power				
<b>3RRE</b> 3-Port 12" Rectangular Canopy with Remote Power				

Warm Dim: **NS** (15°), **SP** (25°) \*Not available in **NF**

PROJECT		FIXTURE TYPE		DATE	
---------	--	--------------	--	------	--

**RADIANT LARGE WITH FAST JACK CANOPY**  
 24VDC INTEGRATED LED, STATIC WHITE & WARM DIM TECHNOLOGY

**MONOPOINT 2" ROUND FLAT CANOPY**



**MONOPOINT 4" ROUND FLAT CANOPY**



**MR2R WITH REMOTE POWER SUPPLY**

**MR4R WITH REMOTE POWER SUPPLY**

**2-PORT 12" RECTANGLE CANOPY**



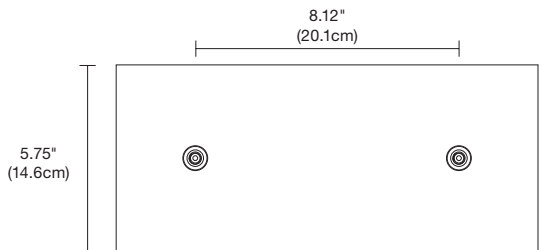
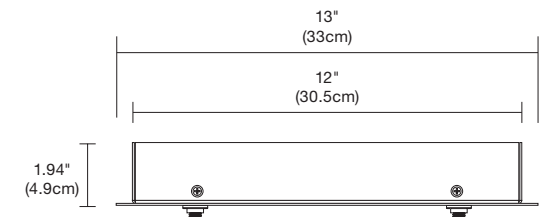
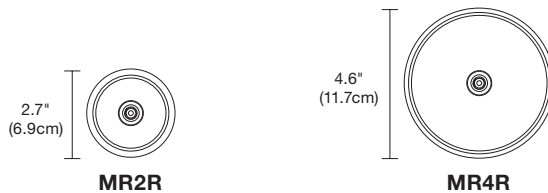
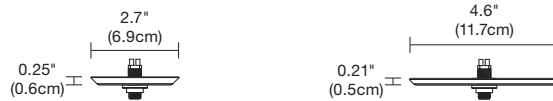
**3-PORT 12" RECTANGLE CANOPY**



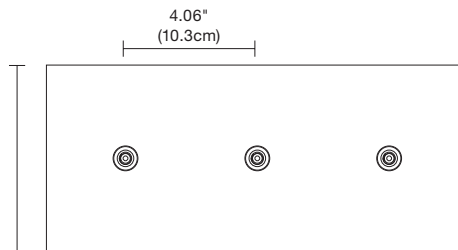
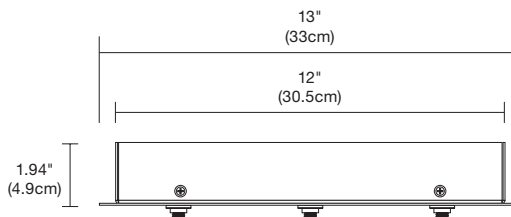
**2RRE WITH REMOTE POWER SUPPLY**

**3RRE WITH REMOTE POWER SUPPLY**

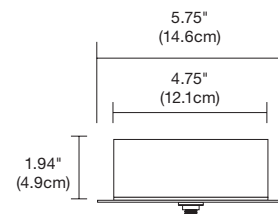
PROJECT		FIXTURE TYPE		DATE	
---------	--	--------------	--	------	--



**2RRE**

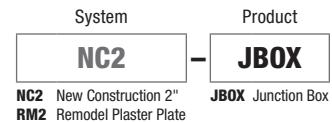
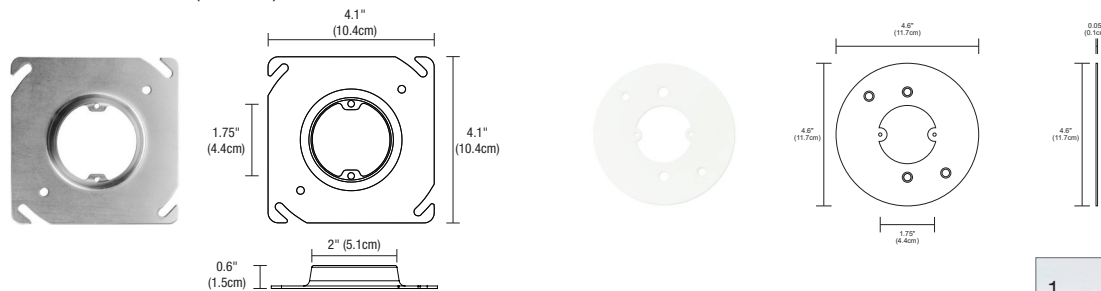


**3RRE**

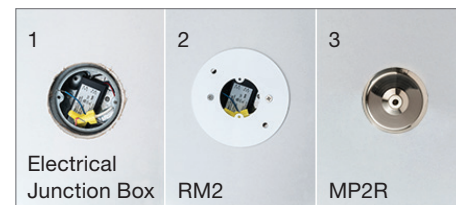


**NEW CONSTRUCTION & REMODEL 2" COVER FOR 4" SQUARE JUNCTION BOX**

The New Construction NC2-JBOX Cover is included with the 2" Round and Square Canopies and is not required for the 4" Square Canopies. NC2 New Construction Junction Box Cover mounts to a standard 4" Electrical Box or Octagon Box, converting it to a 2" Plaster Ring for use with the 2R (Round) Canopy. The Remodel RM2-JBOX Plaster Plate cover is used with an existing 4" Square Junction Box and standard Round Plaster Ring. The PS-60L-ELV-24VDC (50 Watt) will fit inside the NC2 or RM2-JBOX Cover and Electrical Junction Box for a flush look.



- Existing 4SQ J-box with Round Plaster Ring
- Add RM2 Remodel Plate with Power Supply from MP2R fixture
- Plaster and paint ceiling, then add Canopy and fixture



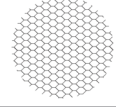




PROJECT	FIXTURE TYPE	DATE
---------	--------------	------

# RADIANT LARGE WITH FAST JACK CANOPY

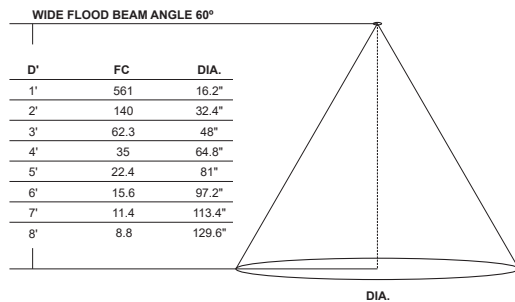
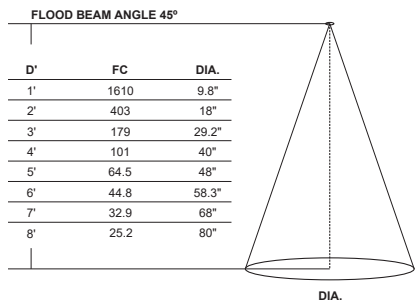
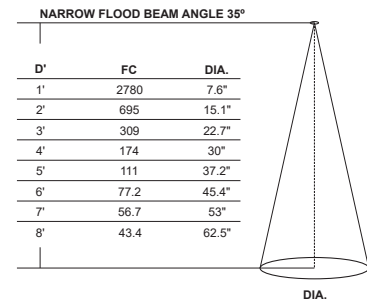
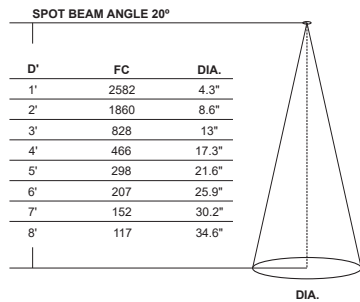
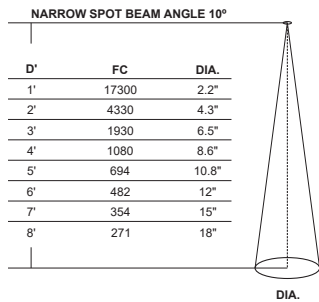
24VDC INTEGRATED LED, STATIC WHITE & WARM DIM TECHNOLOGY

## ADDITIONAL LENSES & ACCESSORIES

RADIANT LARGE LENS		SNOOT	LOUVER	FOCUS LENS	LINEAR SPREAD FILM	
						
<b>ORDERING CODE</b>	<b>STATIC WHITE</b> LEN-RADL-NS-SW LEN-RADL-SP-SW LEN-RADL-NF-SW LEN-RADL-FL-SW LEN-RADL-WF-SW	<b>WARM DIM</b> LEN-RADL-NS-WD LEN-RADL-SP-WD LEN-RADL-FL-WD LEN-RADL-WF-WD	<b>STB16-BK</b> <b>STB16-WH (WHITE SHELL)</b>	<b>L016-H</b>	<b>LF-RADL-SF (SOFT FOCUS),</b> <b>MF (MEDIUM FOCUS),</b> <b>WF (WIDE FOCUS)</b>	<b>LF-RADL-LS</b>
<b>LENS SIZE</b>	2" (50mm) Diameter					
<b>BEAM SPREADS</b>	<b>NS (10°), SP (20°),</b> <b>NF (35°), FL (45°),</b> <b>WF (60°)</b>	<b>NS (15°), SP (25°),</b> <b>FL (45°), WF (60°)</b>	Conical snoot creates a 7° Beam spread and is designed to reduce spill and control glare. Spun aluminum.	Hexcell louver eliminates glare. 0.125" Thickness.	Soft focus lens is included with every track head. Diffuses the beam, providing uniform illumination.	Linear spread film: directs the light into an elongated beam. Typical applications using 10°, 15°, 25° include illuminating landscape oriented art. 35°, 40°, 60° create an elongated oval typically used for wall washing.

## RADIANT LARGE Photometric Data using 3000K CCT

D' - Distance from RADIANT LARGE fixture  
 FC - Initial foot candles at the center of beam  
 DIA - Diameter



PROJECT		FIXTURE TYPE		DATE	
---------	--	--------------	--	------	--

# UNIVERSAL POWER SUPPLIES WITH TRIM

24VDC, UNIVERSAL DIMMING (ELV, TRIAC, 0-10V) STATIC WHITE & WARM DIM FOR TRACK HEADS



### DESCRIPTION

The Uni TRIM Power Supply is designed for 24 Volt Track Heads, accepts input voltage in a range of 120 - 277VAC and outputs 24VDC power up to 96 watts. Can be used as a dimmable or non-dim Power Supply. Dims down 7% with an ELV dimmer or a 0-10 volt dimmer when two additional wires are connected to the dimmer. The enclosure provides a space inside for electrical connections. Power Supply features short circuit and overload and over temperature protection. Indoor applications only. For custom quotes and layout assistance, send your drawings and ideas to our design team: [design@PureEdgeLighting.com](mailto:design@PureEdgeLighting.com).

### MOUNTING

Surface mounted with conduit access

### COMPATIBILITY

Compatible with PureEdge 24VDC Track heads (T24, T24M), Vanishing Point and Mono-point/Multi-point heads (FJ24, VR, V2MR, MR2R, M44R, 2RRE, 3R8R).

### POWER INPUT

120-277 volts AC, 50/60Hz

### POWER OUTPUT

Class 2; 24 volts DC 4A, 96 watts maximum

### EFFICIENCY

85%

### AMBIENT OPERATING TEMPERATURE

-25C to 40C

### ELV DIMMER TYPE

Legrand: Adorne ADTP703TU  
Lutron: Diva DVELV-300P, Skylark SELV-300P, Maestro MAELV-600 and Radio RA 2

### MAKE IT SMART

ELV & TRIAC [Smart Dimmer & Switch](#)

### 0-10 DIMMER TYPE

Lutron: Radio RA2 (with GRX-TVI), Grafik Eye Qs (with GRX-TVI), Diva (with PP20); Nova T  
Philips: Sunrise SR1200ZTUNV  
Leviton: IP710-DL

### DIMMING CURVE

Linear, Logarithmic 100% - 7% (HydraDrive)

### APPLICATIONS: Indoor




To avoid overheating the power supply, install it in a ventilated remote location where air flows. Maintain proper spacing among power supplies when multiple power supplies are installed in the same remote location.




Product	Wattage	Dimming	Voltage	Type	Options
<b>PSB</b>	<b>96W</b>	<b>UNI</b>	<b>24VDC</b>	<b>T</b>	<b>STANDARD</b> (Leave Blank)
<b>PSB</b> Power Supply with Enclosure Box	<b>40W</b> 40 Watt <b>60W</b> 60 Watt <b>96W</b> 96 Watt <b>2X40W</b> 2x40 Watt <b>2X60W</b> 2x60 Watt <b>2X96W</b> 2x96 Watt	<b>UNI</b> Universal Power Supply	<b>24VDC</b> 24 Volt DC	<b>T</b> Trim	<b>TB</b> T-Bar <b>CP</b> Chicago Plenum

PROJECT	FIXTURE TYPE	DATE
---------	--------------	------

# UNIVERSAL POWER SUPPLIES WITH TRIM

24VDC, UNIVERSAL DIMMING (ELV, TRIAC, 0-10V) STATIC WHITE & WARM DIM FOR TRACK HEADS

UNIVERSAL POWER SUPPLIES & RECOMMENDED DIMMERS			
ORDERING CODE	PSB-40W-UNI-24VDC-T	PSB-60W-UNI-24VDC-T	PSB-96W-UNI-24VDC-T
			
SPECIFICATIONS			
MAXIMUM LOAD	40W	60W	96W
INPUT VOLTAGE	120-277VAC	120-277VAC	120-277VAC
OUTPUT VOLTAGE	24VDC	24VDC	24VDC
DIMENSIONS	15.65" X 6.37" X 3.43"	15.65" X 6.37" X 3.43"	15.65" X 6.37" X 3.43"
CLASSIFICATION	CLASS 2	CLASS 2	CLASS 2
T-BAR MOUNTING	PSB-40W-UNI-24VDC-T-TB	PSB-60W-UNI-24VDC-T-TB	PSB-96W-UNI-24VDC-T-TB
T-BAR CHICAGO PLENUM	PSB-40W-UNI-24VDC-T-CP	PSB-60W-UNI-24VDC-T-CP	PSB-96W-UNI-24VDC-T-CP

UNIVERSAL POWER SUPPLIES & RECOMMENDED DIMMERS			
ORDERING CODE	PSB-2X40W-UNI-24VDC-T	PSB-2X60W-UNI-24VDC-T	PSB-2X96W-UNI-24VDC-T
			
SPECIFICATIONS			
MAXIMUM LOAD	2X40W	2X60W	2X96W
INPUT VOLTAGE	120-277VAC	120-277VAC	120-277VAC
OUTPUT VOLTAGE	24VDC	24VDC	24VDC
DIMENSIONS	15.4" X 9.73" X 3.43"	15.4" X 9.73" X 3.43"	15.4" X 9.73" X 3.43"
CLASSIFICATION	CLASS 2	CLASS 2	CLASS 2
T-BAR MOUNTING	PSB-2X40W-UNI-24VDC-T-TB	PSB-2X60W-UNI-24VDC-T-TB	PSB-2X96W-UNI-24VDC-T-TB
T-BAR CHICAGO PLENUM	PSB-2X40W-UNI-24VDC-T-CP	PSB-2X60W-UNI-24VDC-T-CP	PSB-2X96W-UNI-24VDC-T-CP

ELV DIMMING & CONTROLS			
LUTRON DIVA: DVELV-300P	•	•	•
LUTRON SKYLARK: SELV-300P	•	•	•
LUTRON RADIO RA3: RR-PROC3-XX	•	•	•
LUTRON MAESTRO: MAELV-600	•	•	•
LEGRAND ADORNE: ADTP-703TUM4	•	•	•

0-10 DIMMING & CONTROLS			
PHILIPS SUNRISE: SR1200ZTUNV	•	•	•
LUTRON DIVA: DVTV-WH, DVSTV-WH	•	•	•
LUTRON NOVA T: NTSTV-DV-XX	•	•	•
LUTRON GRAFIX EYE QS: QSGRJ-XP	•	•	•
LUTRON RADIO RA3: RR-PROC3-XX	•	•	•
LEVITON: LEV40050	•	•	•
LEVITON IP710-LFZ	•	•	•
LEGRAND: ADPD4FBL3P2W4	•	•	•
LEGRAND RADIANT: RH703PTUW	•	•	•

TRIAC DIMMING & CONTROLS			
LUTRON SKYLARK: S2-L-WH	•	•	•
LUTRON DIVA DVLV-600P-WH	•	•	•
LUTRON DIVA DVLV-603P-WH	•	•	•
LUTRON MAESTRO MALV-600-WH	•	•	•
LUTRON MAESTRO MALV-1000-WH	•	•	•
LUTRON MAESTRO MA-R-XX	•	•	•
PURE SMART DIMMER AND SWITCH	•	•	•

- Flicker free dimming
- Aluminum casing for optimal heat dissipation
- Isolated output power per e and UL safety requirements
- UL & ETL recognized/ listed, meets UL 8750, 1310 requirements
- Auto-reset; short circuit, overload and thermal protection
- Class 2 power supply
- Efficient, High power factor > 0.90

- The Solid State Constant Voltage Uni-Power Supply is compatible with most commercially available Dimmers:
  - Triac Dimmer: (Forward Phase) Typically used for the dimming of Incandescent and Low Voltage Magnetic Transformers
  - ELV Dimmer: (Reverse Phase) Dimming of Electronic Low Voltage Transformers and Power Supplies used for LED lighting
  - 0-10 Dimmer : Dims the Low Voltage side of a 0-10 volt power supply commonly used in large scale lighting or commercial applications.
- The Uni-Power Supply is recommended with any Siemens/Murray brand of arc fault breaker to overcome the issues with tripping the breakers with ELV Low Voltage Drivers.

\*Title 24 with JA8 listed PureEdge products and systems

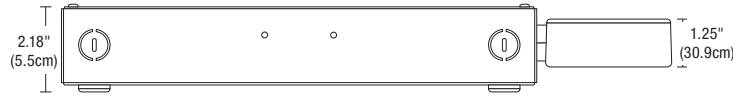
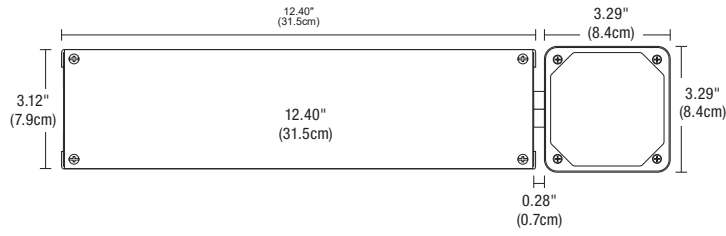
PROJECT		FIXTURE TYPE		DATE	
---------	--	--------------	--	------	--

# UNIVERSAL POWER SUPPLIES WITH TRIM

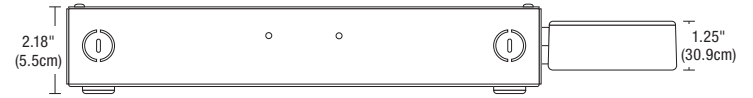
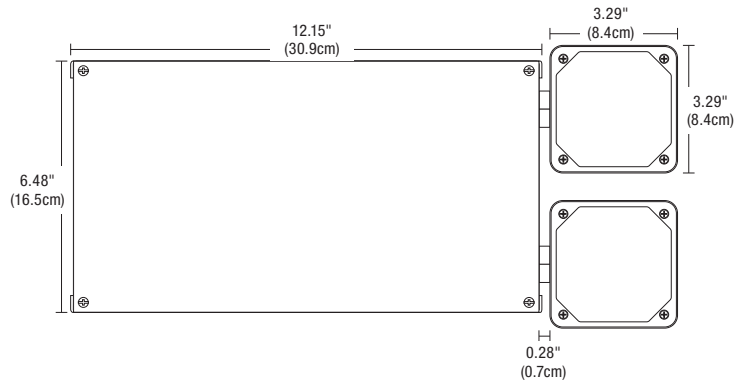
24VDC, UNIVERSAL DIMMING (ELV, TRIAC, 0-10V) STATIC WHITE & WARM DIM FOR TRACK HEADS

## POWER SUPPLY DIMENSIONS & DIAGRAMS

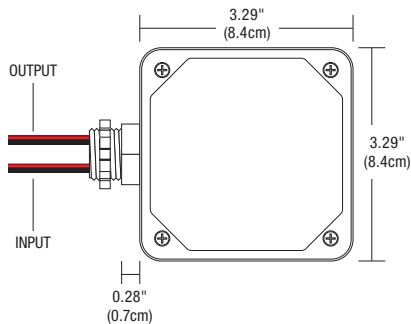
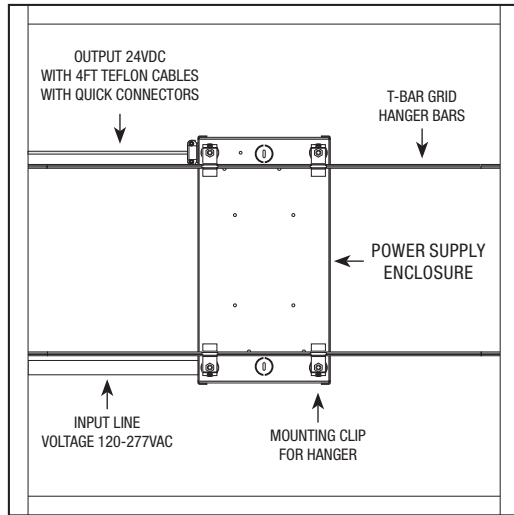
### 40W, 60W, 96W



### 2X40W, 2X60W, 2X96W



### T-BAR GRID CEILING



### VOLTAGE TRIM BOX

Voltage Trim Box is included with power supply. Mounts in 1/2" knock-outs. The part number below is to be used for replacement only.

Product	Voltage	Type
<b>PSB</b>	<b>24VDC</b>	<b>TRIM</b>
PSB Power Supply with Enclosure Box	24VDC 24 Volt DC	TRIM Voltage Trim Box

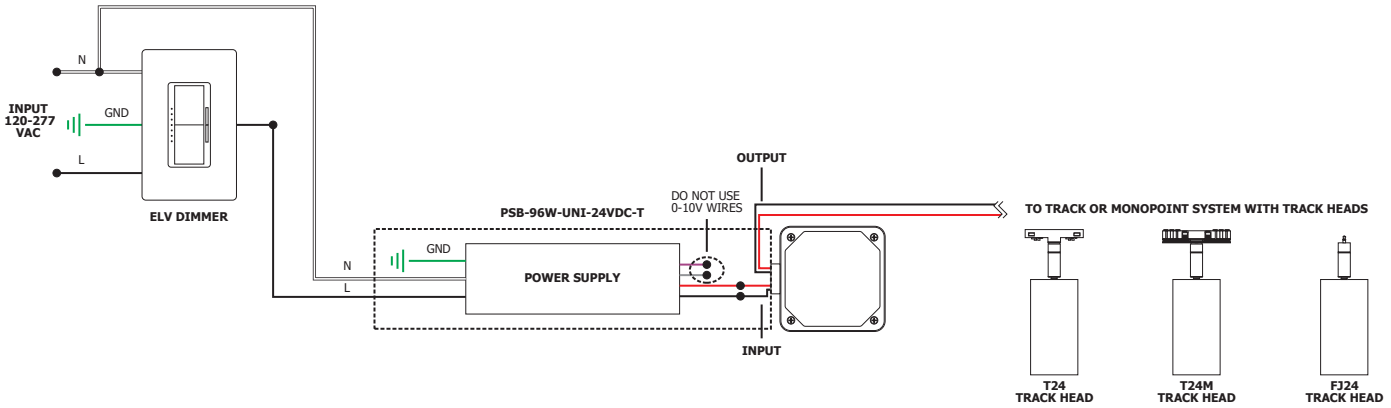
PROJECT	FIXTURE TYPE	DATE
---------	--------------	------

# UNIVERSAL POWER SUPPLIES WITH TRIM

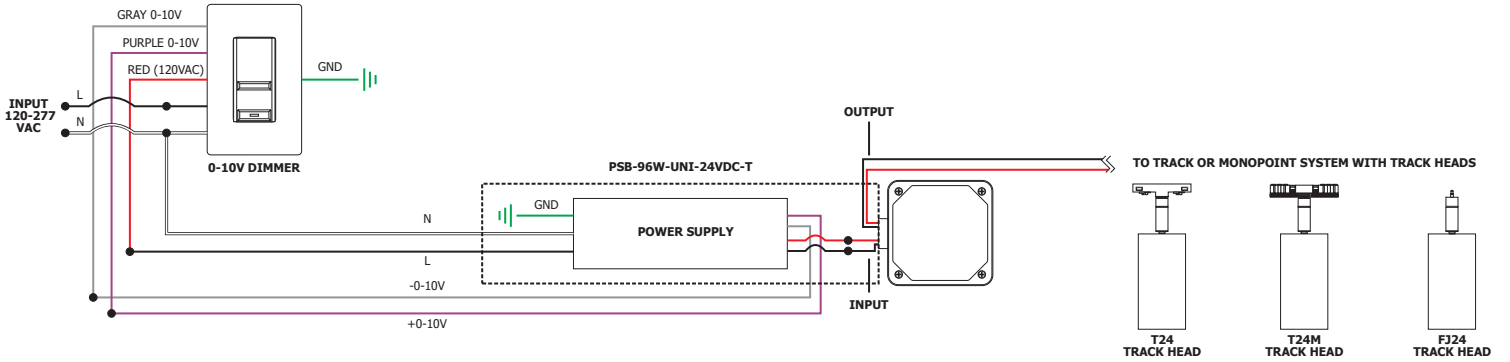
24VDC, UNIVERSAL DIMMING (ELV, TRIAC, 0-10V) STATIC WHITE & WARM DIM FOR TRACK HEADS

REV 05.28.24

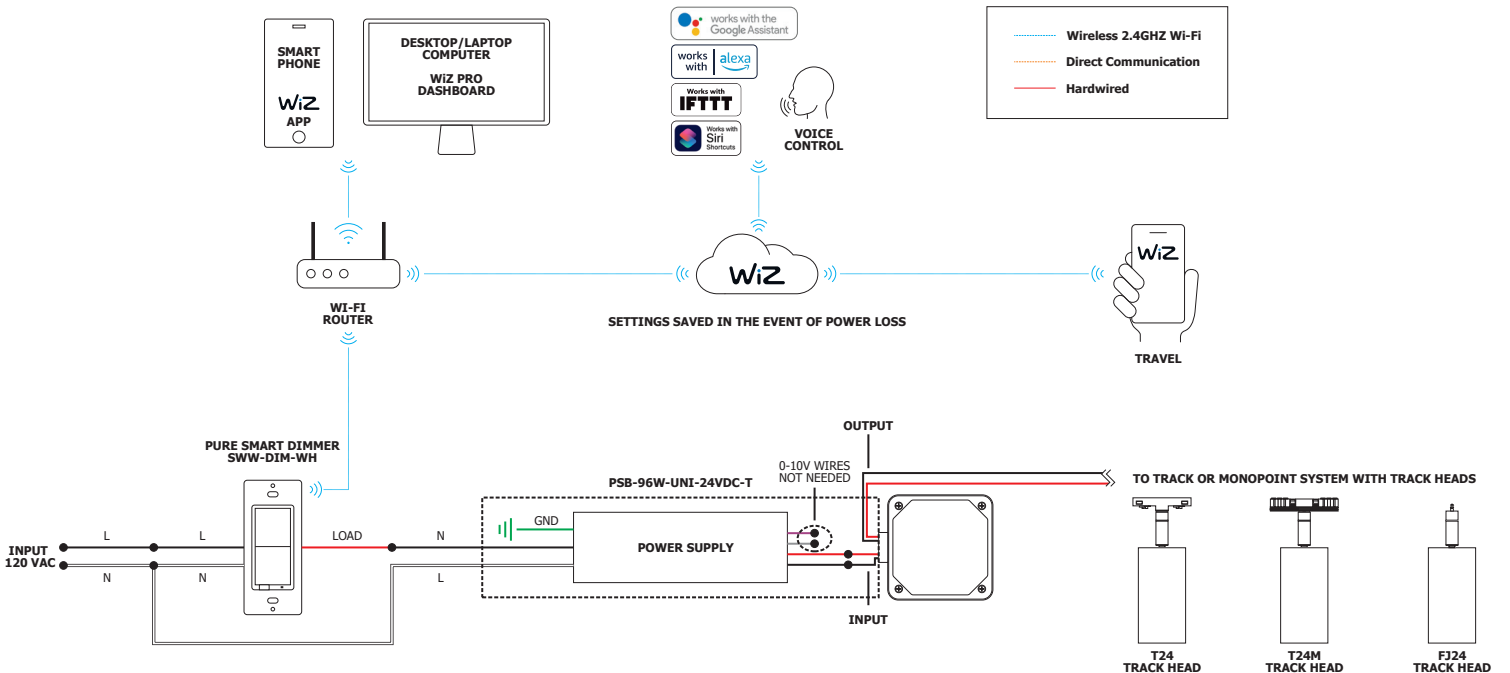
## ELV WIRING DIAGRAM



## 0-10V WIRING DIAGRAM



## SMART WIRING DIAGRAM & NETWORK TOPOGRAPHY



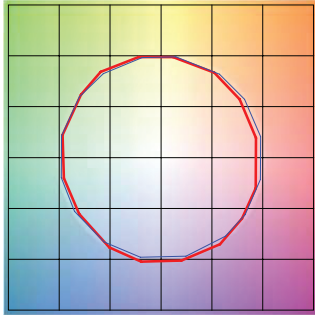
PROJECT		FIXTURE TYPE		DATE	
---------	--	--------------	--	------	--



**TM-30 DATA:** The data below is for Radiant Large. Consistent color temperatures among multiple track heads is possible through a 3 phase binning process in which each order is inspected with a color meter to ensure uniformity.

**2400K | Rf: 91.0 | Rg: 99.6**

Color Vector Graphic

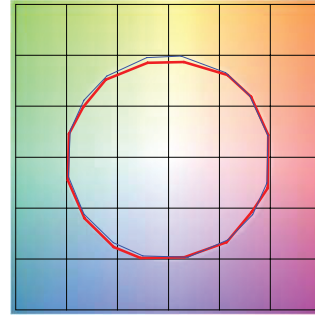


■ Test ■ Reference

		GRAPHIC SHIFTS %	
HUE BIN	Rf	CHROMA	HUE
1	90.1	-4.6%	-0.3%
2	90.6	-4.0%	2.7%
3	88.6	-1.6%	5.1%
4	93.1	-0.9%	2.7%
5	94.6	1.1%	3.3%
6	94.6	2.9%	1.0%
7	94.1	-0.2%	-2.7%
8	97.1	-0.9%	-1.2%
9	94.5	-2.4%	1.0%
10	90.3	-2.5%	4.5%
11	88.6	1.5%	7.1%
12	89.2	4.1%	1.5%
13	90.6	3.4%	-5.3%
14	84.5	3.5%	-8.9%
15	92.3	-0.5%	-4.7%
16	85.4	-2.9%	-9.4%

**2700K | Rf: 93.3 | Rg: 98.8**

Color Vector Graphic

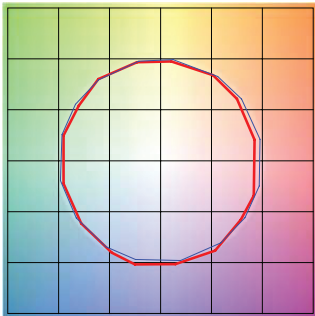


■ Test ■ Reference

		GRAPHIC SHIFTS %	
HUE BIN	Rf	CHROMA	HUE
1	95.9	0.3%	0.7%
2	95.5	0.6%	-2.0%
3	93.7	-0.8%	-2.8%
4	89.8	-5.2%	-4.0%
5	93.1	-5.2%	0.2%
6	93.9	-2.4%	2.9%
7	89.0	-3.1%	5.5%
8	93.6	0.5%	3.7%
9	92.9	1.2%	3.8%
10	92.7	2.0%	3.9%
11	93.7	3.2%	2.9%
12	93.7	2.7%	-1.8%
13	94.9	-0.7%	-3.4%
14	94.7	1.3%	-2.4%
15	92.9	-2.1%	2.0%
16	92.2	1.7%	-5.0%

**3000K | Rf: 90.5 | Rg: 98.0**

Color Vector Graphic

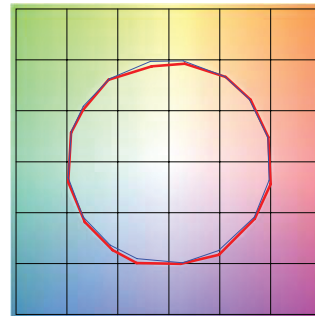


■ Test ■ Reference

		GRAPHIC SHIFTS %	
HUE BIN	Rf	CHROMA	HUE
1	88.7	-5.3%	0.5%
2	90.7	-3.6%	2.8%
3	89.4	-1.7%	4.6%
4	93.3	-2.1%	1.4%
5	94.6	-0.8%	2.2%
6	96.2	0.6%	-0.2%
7	92.5	-3.4%	-0.9%
8	96.4	-1.7%	0.5%
9	92.0	-2.4%	3.7%
10	87.3	-1.1%	7.1%
11	87.6	1.7%	8.2%
12	89.2	4.8%	0.4%
13	90.6	2.5%	-5.7%
14	86.7	3.3%	-9.0%
15	90.9	-2.4%	-3.9%
16	84.1	-3.5%	-10.3%

**3500K | Rf: 93.9 | Rg: 100.9**

Color Vector Graphic

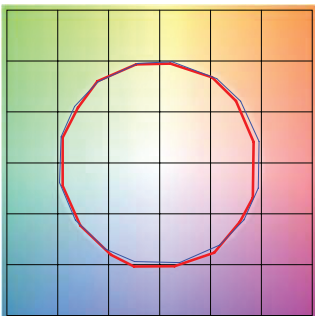


■ Test ■ Reference

		GRAPHIC SHIFTS %	
HUE BIN	Rf	CHROMA	HUE
1	95.7	0.6%	0.3%
2	96.7	0.8%	-1.2%
3	96.0	0.2%	-1.0%
4	94.3	-2.5%	-1.9%
5	93.2	-4.8%	-0.2%
6	97.1	-0.3%	1.4%
7	93.8	-1.7%	3.2%
8	97.3	0.2%	1.3%
9	93.3	0.8%	4.2%
10	91.4	1.4%	5.2%
11	90.6	2.8%	4.5%
12	92.6	4.4%	0.5%
13	96.3	0.7%	-1.9%
14	93.9	3.6%	-1.8%
15	92.4	1.2%	-0.9%
16	91.5	2.3%	-3.3%

**3000D | Rf: 90.5 | Rg: 98.0**

Color Vector Graphic



■ Test ■ Reference

		GRAPHIC SHIFTS %	
HUE BIN	Rf	CHROMA	HUE
1	88.7	-5.3%	0.5%
2	90.7	-3.6%	2.8%
3	89.4	-1.7%	4.6%
4	93.3	-2.1%	1.4%
5	94.6	-0.8%	2.2%
6	96.2	0.6%	-0.2%
7	92.5	-3.4%	-0.9%
8	96.4	-1.7%	0.5%
9	92.0	-2.4%	3.7%
10	87.3	-1.1%	7.1%
11	87.6	1.7%	8.2%
12	89.2	4.8%	0.4%
13	90.6	2.5%	-5.7%
14	86.7	3.3%	-9.0%
15	90.9	-2.4%	-3.9%
16	84.1	-3.5%	-10.3%

PROJECT		FIXTURE TYPE		DATE	
---------	--	--------------	--	------	--