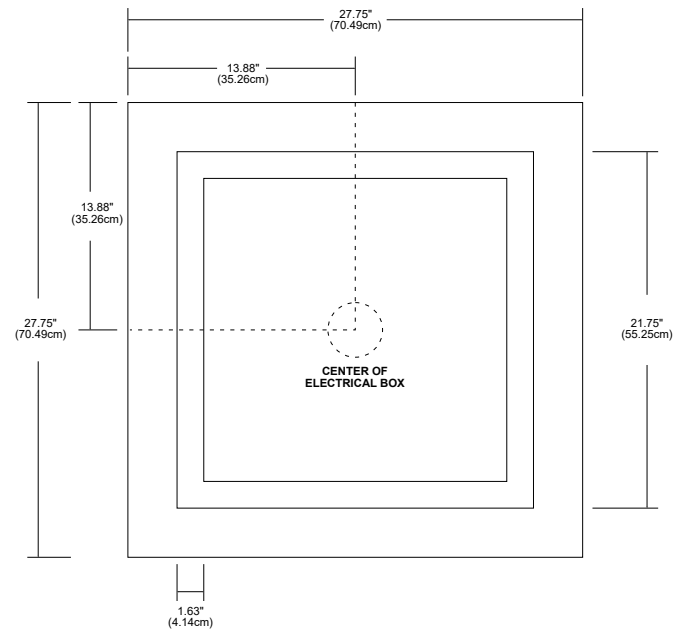


PLAZA SMALL TUNABLE WHITE MIRROR

TUNABLE WHITE LED, WITH POWER SUPPLY

DESIGNED BY GREGORY KAY | ASSEMBLED IN AMERICA

REV 09.09.19



DESCRIPTION

Cast yourself in the best light. Plaza LED Small Tunable White Mirror features innovative advancements in LED technology. Set behind an inset border of frosted glass projecting an even glow of Tunable White Light, this technology allows the end user to adjust the light from 2000K to 4000K Kelvin temperatures or anywhere in-between, as illustrated in the photos above. 92+ CRI, Tunable White, ETL, ADA Listed.

DIFFUSER

Frosted Glass

BODY FINISH

Mirror

LAMP

1624 Lumens at 3000K, 92+ CRI LEDs. LED lamps consume 66 Watts, 73 Total Watts. Average LED lamp life, 50,000 hours.

INPUT VOLTAGE

120V - 277VAC

DIMMER (SOLD SEPARATELY)

UNI ordering code-Dimmable with Lutron S2-L dimmer or any Traic, ELV or 0-10 dimmer. DMX wall controller CDMX-2XK-WH DMX

DIMENSIONS

27.75" x 27.75" x 2.13"

WEIGHT

39 lb (17.7kg)

3D FILE

[3D Warehouse](#)

System	Description	Lamp	Control	Color Temperature
PLAZA	S	LED	2UNI	2K4K
<small>PLAZA Plaza Fluorescent Surface Mounted Square Mirror</small>	<small>S Small</small>	<small>LED LED</small>	<small>DMX DMX With Power Supply (Dimmers and controllers Sold Separately see pg 3) 2UNI 2 Universal Power Supplies Included in Mirror, Requires 2 ELV Dimmers or single gang Lutron S2-L Skylark Dimmer (Sold Separately).</small>	<small>2K4K 2000K-4000K Tunable White</small>



PROJECT	FIXTURE TYPE	DATE
---------	--------------	------

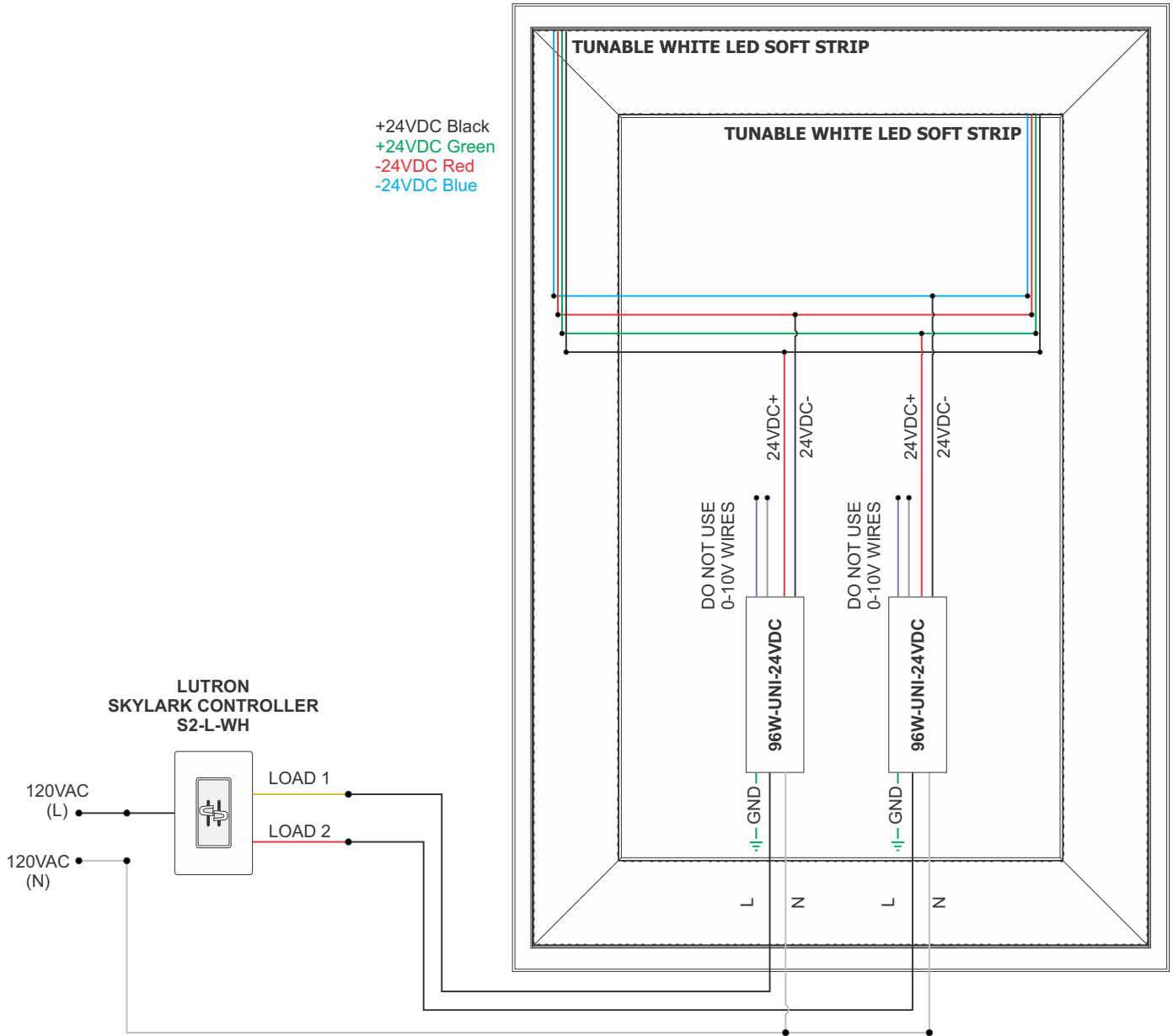
PLAZA SMALL TUNABLE WHITE MIRROR

TUNABLE WHITE LED, WITH POWER SUPPLY

DESIGNED BY GREGORY KAY | ASSEMBLED IN AMERICA

REV 09.09.19

WIRING DIAGRAM Tunable White with Dual Uni-Drivers



PROJECT	FIXTURE TYPE	DATE
---------	--------------	------

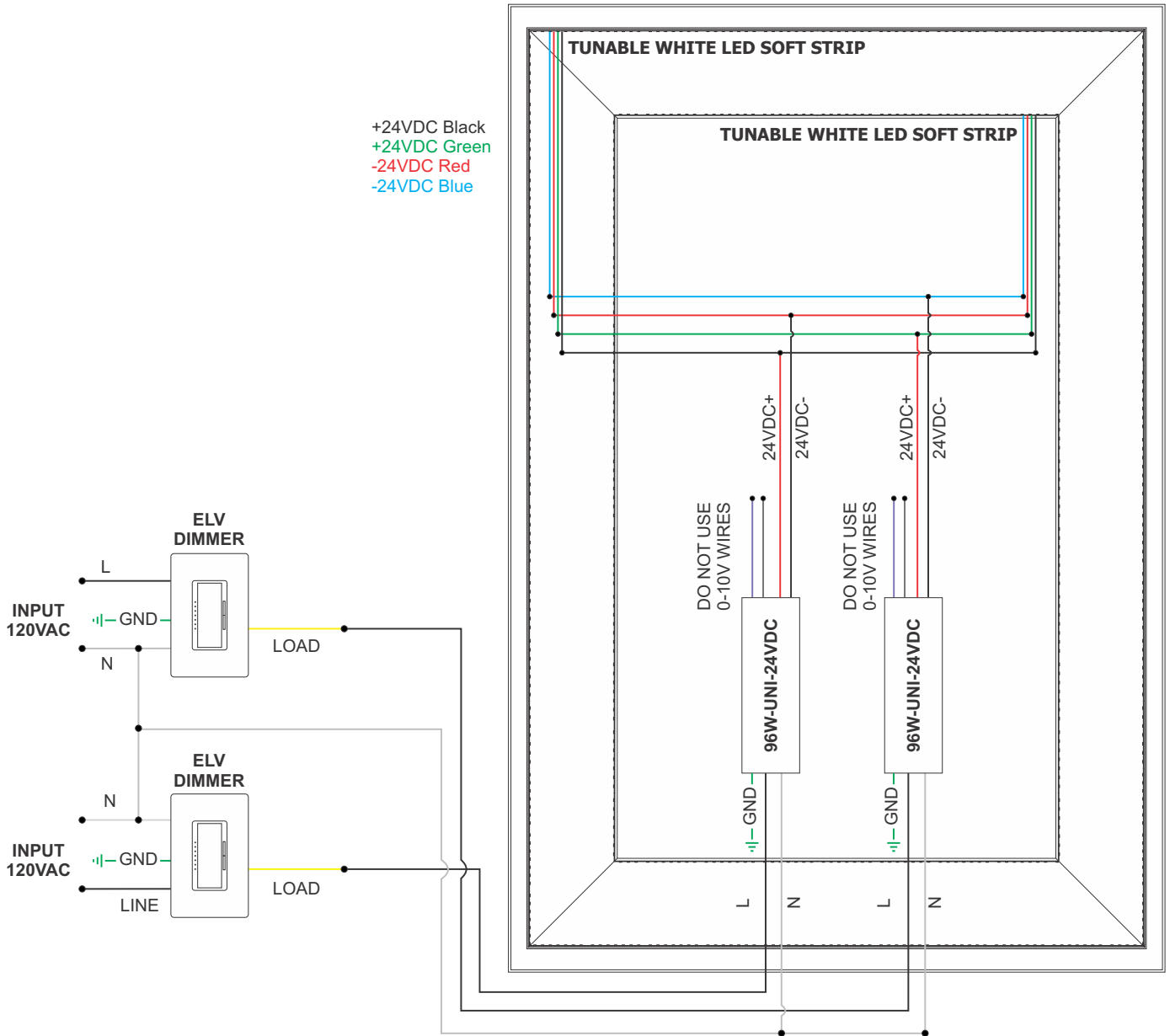
PLAZA SMALL TUNABLE WHITE MIRROR

TUNABLE WHITE LED, WITH POWER SUPPLY

DESIGNED BY GREGORY KAY | ASSEMBLED IN AMERICA

REV 09.09.19

WIRING DIAGRAM Tunable White with Dual Uni-Drivers



PROJECT	FIXTURE TYPE	DATE
---------	--------------	------

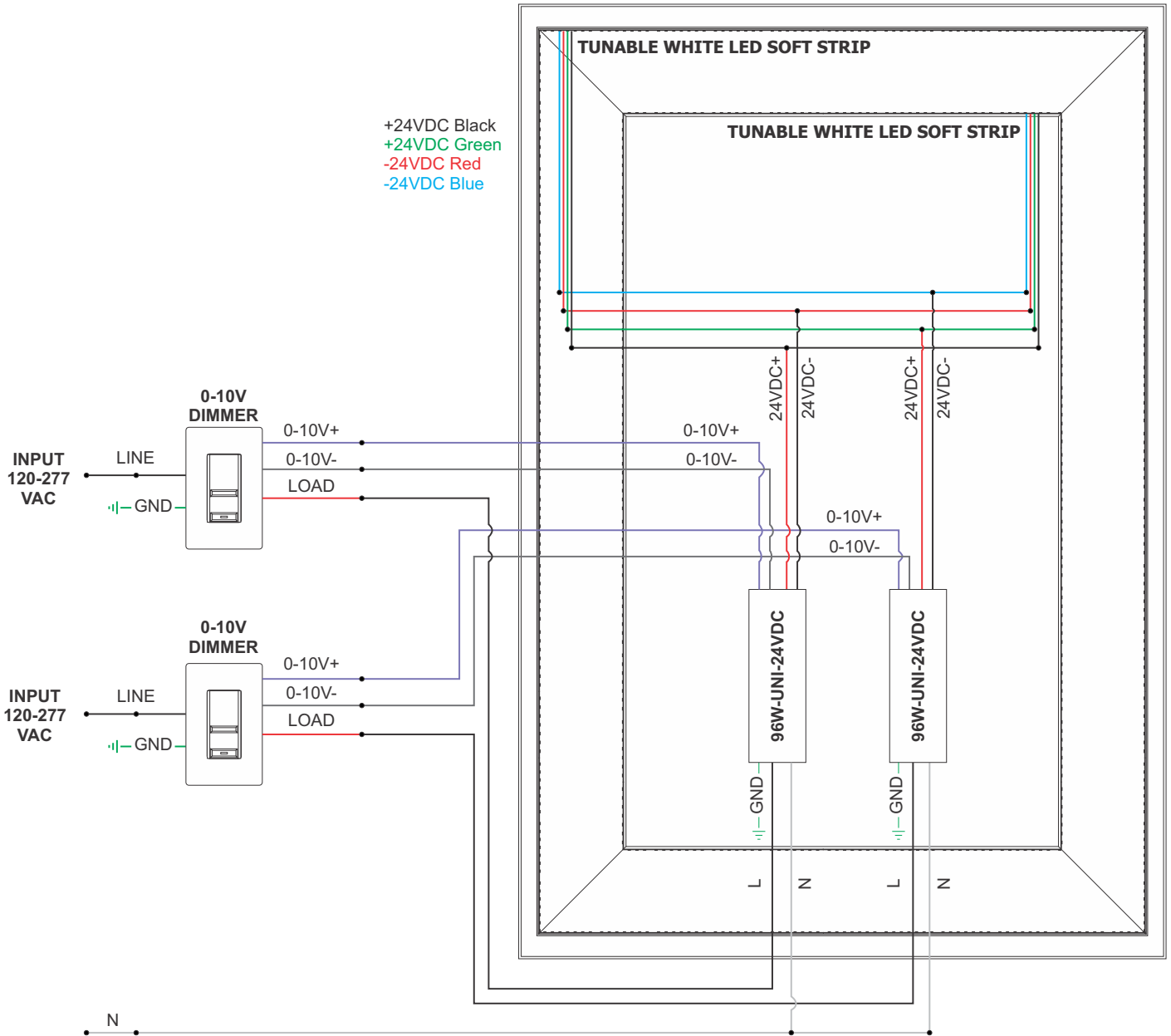
PLAZA SMALL TUNABLE WHITE MIRROR

TUNABLE WHITE LED, WITH POWER SUPPLY

DESIGNED BY GREGORY KAY | ASSEMBLED IN AMERICA

REV 09.09.19

WIRING DIAGRAM Tunable White with Dual Uni-Drivers



PROJECT	FIXTURE TYPE	DATE
---------	--------------	------

PLAZA SMALL TUNABLE WHITE MIRROR

TUNABLE WHITE LED, WITH POWER SUPPLY

DESIGNED BY GREGORY KAY | ASSEMBLED IN AMERICA

REV 09.09.19



DESCRIPTION

The Tunable White Touch Controller is a full-touch controller that offers fast and accurate color temperature adjustment and independent brightness dimming of a single zone. Designed for Tunable White and Dual-Color LED installations, this controller adjusts color temperature and brightness for warm and cool white LEDs. It also saves three preset scenes. Independent smooth dimming with a 256 level brightness adjustment enables the DMX controller to achieve many colors within the full LED spectrum. Controller includes a Power Adapter that fits in Junction Box (not included) behind the controller. It contains an illuminated back light when powered off.

DIMENSIONS:

Control Interface - 4.72" x 2.95"
 Total Depth W/faceplate - 2.91"
 J-Box Height - 3.87"

APPLICATIONS

Indoor

INSTALLATION

Fits in a single gang 2.5" deep Junction Box, not to be used with a Multi-Gang Box

POWER INPUT

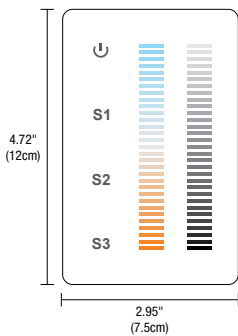
120/277VAC

INCLUDED POWER SUPPLIES

PSB-100W-24VDC-2XK 100W output, 120/277V Input (12.2" wide x 6.5" high x 2.2" deep)

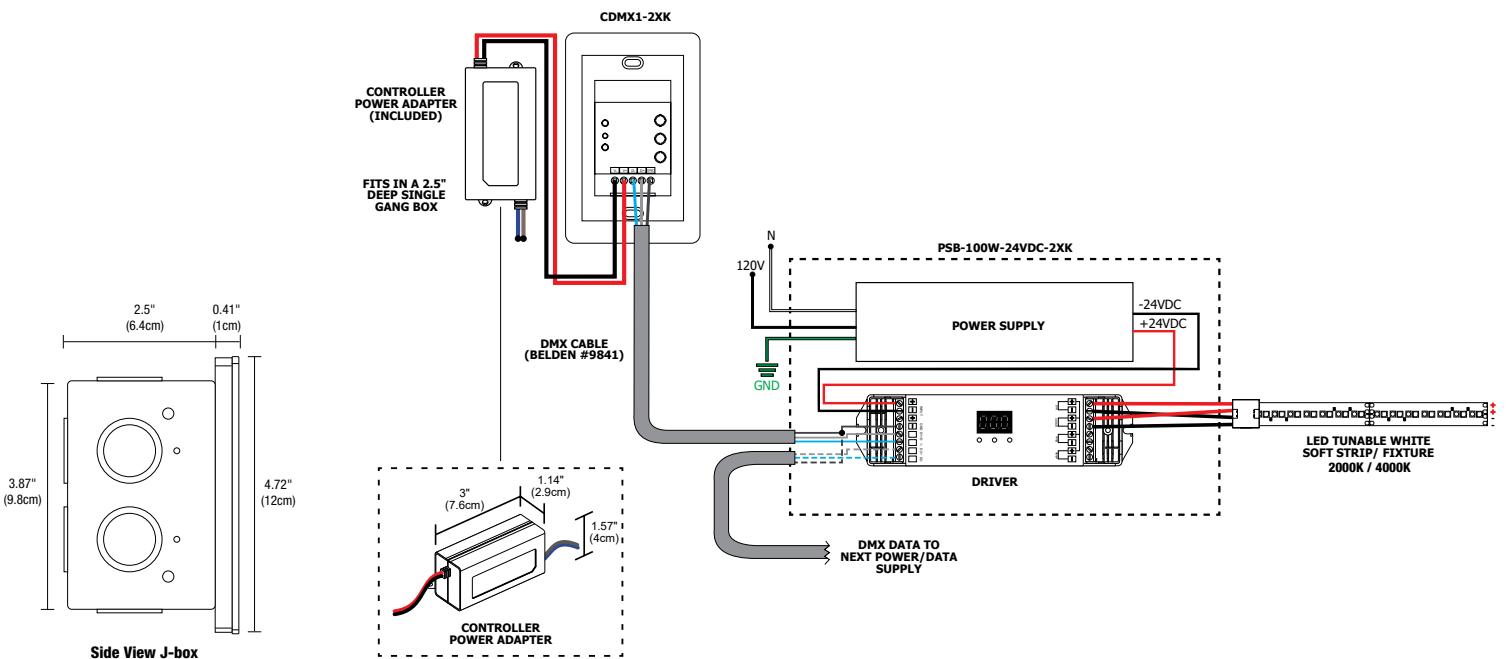
OUTPUT SIGNAL

USITT DMX 512 (1990)



CONTROLLER SOLD SEPARATELY

Product	Type	Finish
CDMX1	2XK	WH
CDMX1 DMX 1 Zone Touch Controller	2XK 2-Color	WH White



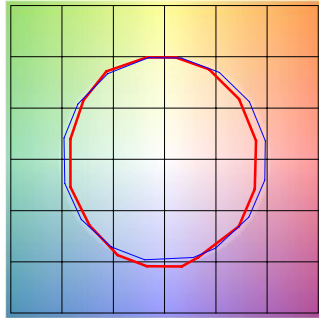
PROJECT	FIXTURE TYPE	DATE
---------	--------------	------

TM-30-15 DATA

The data below is for SS5C bare LED Soft Strips. Consistent color temperatures throughout a single strip and among multiple strips is possible through a 3 phase binning process in which each order is inspected with a color meter to ensure uniformity.

2000K ONLY (2K4K) | Rf: 84.3 | Rg: 96.9

Color Vector Graphic

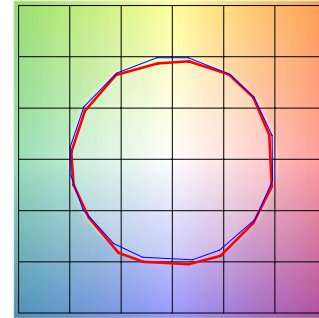


■ Test ■ Reference

GRAPHIC SHIFTS %			
HUE BIN	Rf	CHROMA	HUE
1	80.3	-8.9%	1.7%
2	79.7	-7.0%	7.8%
3	78.9	-2.9%	10.0%
4	89.5	-0.5%	5.1%
5	94.4	0.7%	1.7%
6	92.1	2.4%	-0.3%
7	89.4	-2.4%	-5.9%
8	89.7	-6.4%	-0.2%
9	86.0	-4.9%	4.6%
10	81.8	-3.4%	9.3%
11	83.1	3.3%	9.7%
12	85.8	5.6%	3.3%
13	85.6	6.2%	-12.8%
14	61.7	-1.9%	-19.0%
15	79.7	-3.3%	-12.9%
16	78.1	-7.9%	-10.6%

4000K ONLY (2K4K) | Rf: 89.6 | Rg: 99.1

Color Vector Graphic

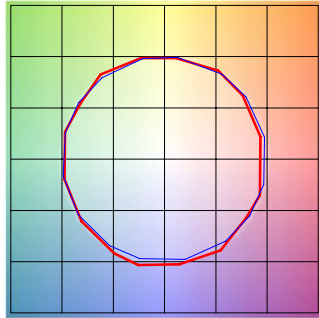


■ Test ■ Reference

GRAPHIC SHIFTS %			
HUE BIN	Rf	CHROMA	HUE
1	91.3	-2.5%	1.0%
2	95.3	-0.5%	0.5%
3	94.3	-0.7%	1.1%
4	91.1	-3.4%	-1.1%
5	89.5	-5.6%	0.0%
6	94.6	-1.4%	1.3%
7	93.2	-3.0%	2.6%
8	91.3	-1.8%	4.6%
9	86.5	-0.9%	9.1%
10	83.3	-0.5%	9.5%
11	83.3	4.9%	9.0%
12	89.7	4.1%	1.7%
13	90.1	3.6%	-4.3%
14	93.4	5.2%	-2.1%
15	87.4	0.4%	-4.3%
16	86.6	0.4%	-6.1%

2K4K (3000K) | Rf: 90.2 | Rg: 101.4

Color Vector Graphic



■ Test ■ Reference

GRAPHIC SHIFTS %			
HUE BIN	Rf	CHROMA	HUE
1	90.9	-3.8%	1.3%
2	91.7	-1.9%	3.3%
3	88.7	0.7%	5.1%
4	92.4	-1.0%	0.7%
5	92.9	0.9%	1.7%
6	93.1	3.3%	-0.6%
7	91.0	-1.8%	-0.4%
8	97.0	0.2%	-1.1%
9	92.8	-0.5%	3.6%
10	88.3	1.0%	7.0%
11	87.1	3.8%	7.8%
12	87.6	6.5%	-0.3%
13	89.3	3.6%	-6.3%
14	86.1	4.5%	-9.1%
15	91.6	-1.9%	-3.1%
16	83.8	-1.5%	-11.2%

PROJECT		FIXTURE TYPE		DATE	
---------	--	--------------	--	------	--