

# PIPELINE® STEM MOUNTED STRAIGHT RUN

## CEILING / WALL / TABLE MOUNT, EQUAL LENGTH SEGMENTS, 24VDC - REMOTE POWER

DESIGNED BY GREGORY KAY | MANUFACTURED IN AMERICA | US PATENT ISSUED

REV 11.09.23



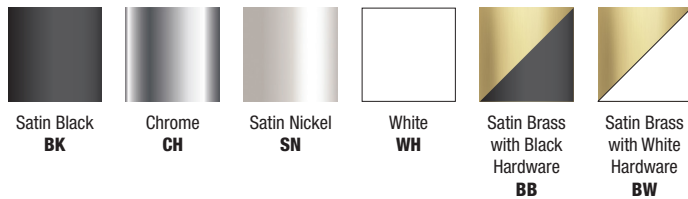
### DESCRIPTION

The Pipeline Stem Mounted Straight Run is an innovative and versatile linear LED fixture that mounts to Ceiling, Walls and Table Tops. This patented design features a 360° Rotatable channel, allowing you to effortlessly fine-tune the beam angle while delivering continuous and efficient illumination through a 176° Diffused White Lens. Highly customizable, the Pipeline Stem Mount Straight Run is available in lengths from 14 inches to over 38 feet. Offered in a spectrum of color temperatures including Warm Dim (27D or 30D). Available in 5, 7, or 10 watts capable of delivering up to 1177 lumens per linear foot at 4000K using our Designer-grade High CRI (color rendering) LEDs. Precision engineered, the hardware and Metal finishes form a seamless design with unparalleled performance. Remote Power Supplies are sold separately. Fixture includes a 5 year pro-rated warranty. For custom finishes, designs, quotes and layout assistance, send drawings to [design@PureEdgeLighting.com](mailto:design@PureEdgeLighting.com).

### FEATURES & BENEFITS

- Length Options:** 14"-456" (38')
- Adjustability:** 360° Rotatable Channel for direct or indirect lighting
- Easy Installation:** Fully Assembled Channels and Components with Push-In Connectors
- Included Components:** LED Strip, installed to fit length, Channel and Stem Mounts, Lens

### FINISHES



### SPECIFICATIONS

- Voltage:** 120/277VAC - 24VDC
- Remote Power Supply:** 24VDC 100 Watts (End Feed); or 2 x 100 Watts (Center Feed) Up to 60ft away (Order separately)
- Universal Dimming:** ELV, Triac, 0-10V, Lutron Ecosystem® Lutron Hi-Lume®

\*In-Wall Mounting Kits available for select power supplies

### LENS

- Diffused White 176° Lens, 360° Rotation
- Optional Black or White louver available

### LAMPING

- Choose from multiple static white Color Temperatures
- Warm Dim: 2700K-2000K (27D) or 3000K-2000K (30D)
- 3 Phase LED Binning for consistent color throughout
- 50,000 Hour Lamp Life

### REMOTE POWER SUPPLIES\* & DIMMERS (SOLD SEPARATELY)

- 120/277VAC - 24VDC
- Remote Power Supply: 24VDC 100 Watts (End Feed); or 2 x 100 Watts (Center Feed) Up to 60ft away
- Universal Dimming: Universal Dimming (TRIAC, ELV, 0-10V) with corresponding dimmer
- 0-10 Volt Dimming (0-10V)
- Lutron Hi-Lume®

\*In-Wall Mounting Kits available

### LUMEN PERFORMANCE

Pipeline 1 Channel @3000K 10W per Linear Foot (see page 5 for comprehensive lumen performance)

- Lumen Output:** 1181 lm/ft
- Efficiency:** 123 lm/w
- CRI:** 95+
- R9:** 85
- Beam Angle:** 147°

### TECHNICAL SPECIFICATIONS

- Diameter:** Ø1.3125"
- Mounting:** Wall, Ceiling and Table Top
- Increments:** Up 76" per linear sections (see page 3-4 for exact lengths)
- Materials:** High Grade Aluminum extrusion, Polyethylene Lens, Aluminum Rigid Stem, High performance thermal conductive 5oz copper circuit board

### APPROVALS

ETL Listed, Indoor, Class 2 Wiring, Title 24 with select power supplies, Made in America

### WARRANTY

5 Year Pro-rated Warranty

System	Wattage Per Foot	Canopy Size and Type	Stem Length	Nominal Length in Inches	Color Temperature	Finish
<b>P1</b>	<b>10W</b>	<b>2P</b>	<b>14</b>	<b>192</b>	<b>30K</b>	<b>SN</b>
<b>P1</b> Pipeline 1, 176°, Diffused Lens without Louver <b>PH</b> Pipeline 1, Diffused Lens with White Louver <b>PB</b> Pipeline 1, Diffused Lens with Black Louver	<b>5W</b> 4.4 Watts (20ft max length, End feed; 38ft max length, Center feed) <b>7W</b> 7.3 Watts (12ft max length, End feed; 26ft max length, Center feed) <b>10W</b> 9.6 Watts (10ft max length, End feed; 21ft max length, Center feed)	<b>2R</b> 2.6" Round Canopy <b>4R</b> 4.6" Round Canopy <b>TP</b> Table mount Power feed through 2" RD Canopy	<b>6</b> 6" Stem from Wall or Ceiling <b>10</b> 10" Stem from Wall or Ceiling <b>14</b> 14" Stem from Wall or Ceiling <b>24*</b> 24" Stem from Wall or Ceiling <b>48*</b> 48" Stem from Wall or Ceiling <b>XX</b> Custom Stem Length up to 96"	<b>14-456</b> 14" - 456"	<b>24K</b> 2400K Very Warm White <b>27K</b> 2700K Incandescent <b>27D</b> 2700K Warm Dim (5W only) <b>30K</b> 3000K Warm White <b>30D</b> 3000K Warm Dim (5W only) <b>35K</b> 3500K Neutral White <b>40K</b> 4000K Cool White	<b>BK</b> Satin Black <b>SN</b> Satin Nickel <b>CH</b> Chrome <b>WH</b> White <b>BB</b> Satin Brass with Black Hardware <b>BW</b> Satin Brass with White Hardware <b>XX</b> Custom Finish, please specify (Must be quoted prior to ordering)

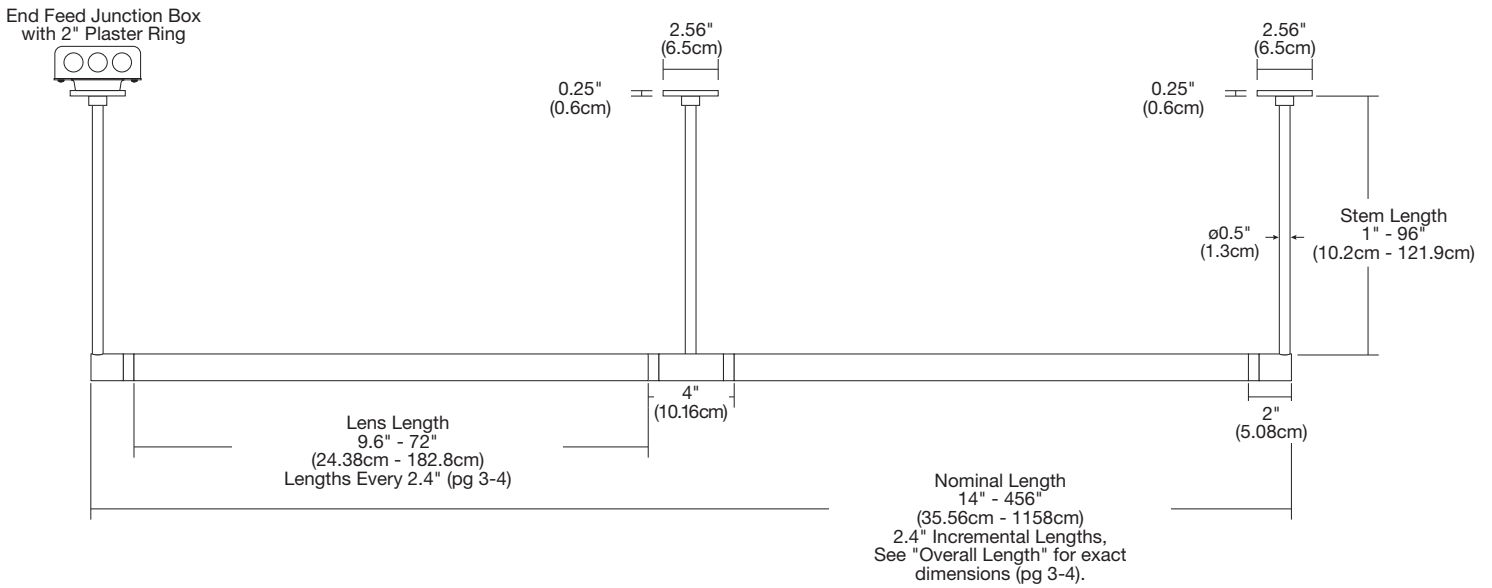
See pages 3-4 for length chart

PROJECT	FIXTURE TYPE	DATE
---------	--------------	------

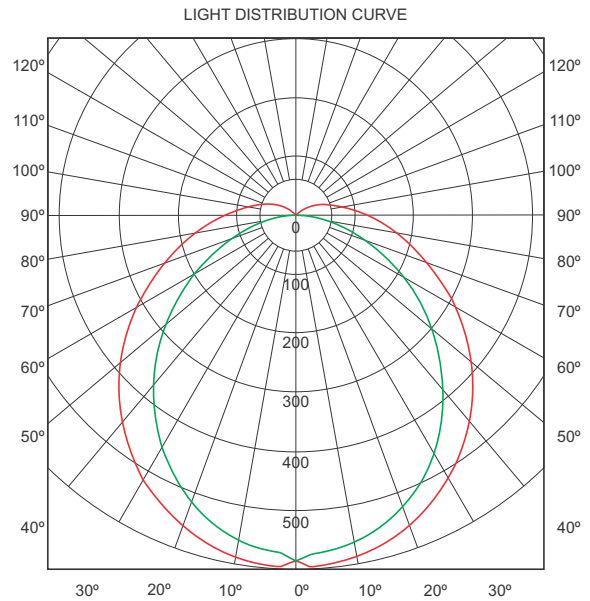
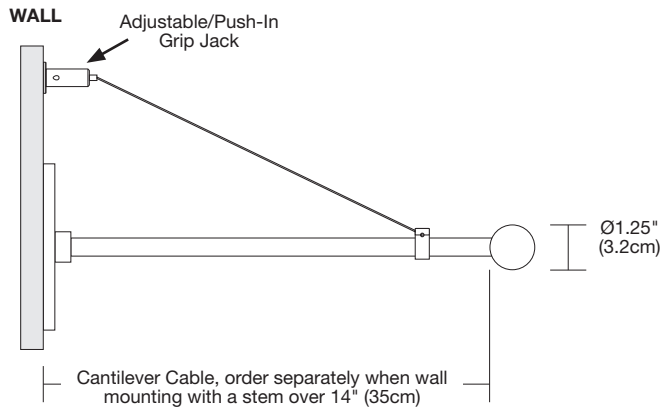
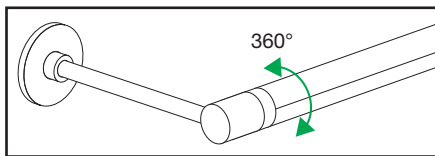
# PIPELINE® STEM MOUNTED STRAIGHT RUN

CEILING / WALL / TABLE MOUNT, EQUAL LENGTH SEGMENTS, 24VDC - WITH REMOTE POWER

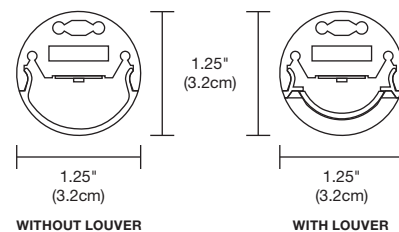
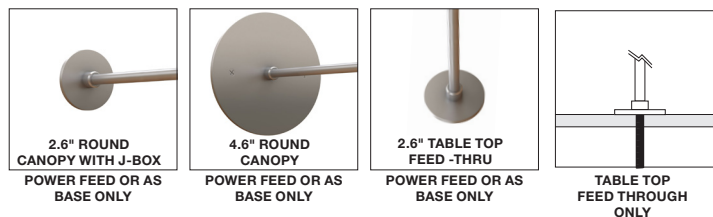
REV 11.09.23



**PIPELINE CHANNEL HAS FULL 360° ROTATION**



- |                        |                          |                             |
|------------------------|--------------------------|-----------------------------|
| Accessory              | Sleeve for Stem          | Grip Jack Finish            |
| <b>PC</b>              | <b>CL</b>                | <b>SN</b>                   |
| PC Pipeline Cantilever | CL Clear Sleeve for Stem | BK Black<br>SN Satin Nickel |



PROJECT	FIXTURE TYPE	DATE
---------	--------------	------

# PIPELINE® STEM MOUNTED STRAIGHT RUN

CEILING / WALL / TABLE MOUNT, EQUAL LENGTH SEGMENTS, 24VDC - WITH REMOTE POWER

## END FEED CANOPY LENGTH CHART

- END CANOPY FEED     - CENTER FEED CANOPY ONLY, DUAL POWER SUPPLIES REQUIRED

5W (4.4 WATTS PER FOOT)																		
LENS LENGTH (INCHES)	1 SEGMENT			2 SEGMENT			3 SEGMENT			4 SEGMENT			5 SEGMENT			6 SEGMENT		
	NOMINAL LENGTH (INCHES)	OVERALL LENGTH (INCHES)	WATTAGE	NOMINAL LENGTH (INCHES)	OVERALL LENGTH (INCHES)	WATTAGE	NOMINAL LENGTH (INCHES)	OVERALL LENGTH (INCHES)	WATTAGE	NOMINAL LENGTH (INCHES)	OVERALL LENGTH (INCHES)	WATTAGE	NOMINAL LENGTH (INCHES)	OVERALL LENGTH (INCHES)	WATTAGE	NOMINAL LENGTH (INCHES)	OVERALL LENGTH (INCHES)	WATTAGE
9.6	14	13.6	4															
12	16	16	4															
14.4	18	18.4	5															
16.8	21	20.8	6															
19.2	23	23.2	7															
21.6	26	25.6	8															
24	28	28	9															
26.4	30	30.4	10															
28.8	33	32.8	11															
31.2	35	35.2	11															
33.6	38	37.6	12															
36	40	40	13															
38.4	42	42.4	14															
40.8	45	44.8	15	85	84.8	28												
43.2	47	47.2	16	90	89.6	30												
45.6	49	48.2	17	94	94.4	32												
48	50	49.6	17	99	99.2	33												
48	52	52	18	104	104	35												
50.4	54	54.4	18	109	108.8	37	163	163.2	55									
52.8	57	56.8	19	114	113.6	39	170	170.4	58									
55.2	59	59.2	20	118	118.4	40	178	177.6	61	237	236.8	81						
57.6	62	61.6	21	123	123.2	42	185	184.8	63	246	246.4	84						
60	64	64	22	128	128	44	192	192	66	256	256	88	320	320	110			
62.4	66	66.4	23	133	132.8	46	199	199.2	69	266	265.6	92	332	332	114	398	398.4	137
64.8	69	68.8	24	138	137.6	48	206	206.4	71	275	275.2	95	344	344	119	413	412.8	143
67.2	71	71.2	25	142	142.4	49	214	213.6	74	285	284.8	99	356	356	123	427	427.2	148
69.6	74	73.6	26	147	147.2	51	221	220.8	77	294	294.4	102	368	368	128	442	441.6	153
72	76	76	26	152	152	53	228	228	79	304	304	106	380	380	132	456	456	158

7W (7.3 WATTS PER FOOT)																		
LENS LENGTH (INCHES)	1 SEGMENT			2 SEGMENT			3 SEGMENT			4 SEGMENT			5 SEGMENT			6 SEGMENT		
	NOMINAL LENGTH (INCHES)	OVERALL LENGTH (INCHES)	WATTAGE	NOMINAL LENGTH (INCHES)	OVERALL LENGTH (INCHES)	WATTAGE	NOMINAL LENGTH (INCHES)	OVERALL LENGTH (INCHES)	WATTAGE	NOMINAL LENGTH (INCHES)	OVERALL LENGTH (INCHES)	WATTAGE	NOMINAL LENGTH (INCHES)	OVERALL LENGTH (INCHES)	WATTAGE	NOMINAL LENGTH (INCHES)	OVERALL LENGTH (INCHES)	WATTAGE
9.6	14	13.6	6															
12	16	16	7															
14.4	18	18.4	9															
16.8	21	20.8	10															
19.2	23	23.2	12															
21.6	26	25.6	13															
24	28	28	15															
26.4	30	30.4	16															
28.8	33	32.8	18															
31.2	35	35.2	19															
33.6	38	37.6	20															
36	40	40	22															
38.4	42	42.4	23	85	84.8	47												
40.8	45	44.8	25	90	89.6	50												
43.2	47	47.2	26	94	94.4	53												
45.6	50	49.6	28	99	99.2	55												
48	52	52	29	104	104	58												
50.4	54	54.4	31	109	108.8	61	163	163.2	92									
52.8	57	56.8	32	114	113.6	64	170	170.4	96									
55.2	59	59.2	34	118	118.4	67	178	177.6	101	237	236.8	134						
57.6	62	61.6	35	123	123.2	70	185	184.8	105	246	246.4	140						
60	64	64	37	128	128	73	192	192	110	256	256	146	320	320	183			
62.4	66	66.4	38	133	132.8	76	199	199.2	114	266	265.6	152	332	332	190	398	398.4	228
64.8	69	68.8	39	138	137.6	79	206	206.4	118	275	275.2	158	344	344	197	413	412.8	237
67.2	71	71.2	41	142	142.4	82	214	213.6	123	285	284.8	164	356	356	204	427	427.2	245
69.6	74	73.6	42	147	147.2	85	221	220.8	127	294	294.4	169	368	368	212	442	441.6	254
72	76	76	44	152	152	88	228	228	131	304	304	175	380	380	219	456	456	263

PROJECT	FIXTURE TYPE	DATE
---------	--------------	------



# PIPELINE® STEM MOUNTED STRAIGHT RUN

CEILING / WALL / TABLE MOUNT, EQUAL LENGTH SEGMENTS, 24VDC - WITH REMOTE POWER



REV 11.09.23

## LENGTH CHART

- END CANOPY FEED     - CENTER FEED CANOPY ONLY, DUAL POWER SUPPLIES REQUIRED

10W (9.6 WATTS PER FOOT)																		
LENS LENGTH (INCHES)	1 SEGMENT			2 SEGMENT			3 SEGMENT			4 SEGMENT			5 SEGMENT			6 SEGMENT		
	NOMINAL LENGTH (INCHES)	OVERALL LENGTH (INCHES)	WATTAGE	NOMINAL LENGTH (INCHES)	OVERALL LENGTH (INCHES)	WATTAGE	NOMINAL LENGTH (INCHES)	OVERALL LENGTH (INCHES)	WATTAGE	NOMINAL LENGTH (INCHES)	OVERALL LENGTH (INCHES)	WATTAGE	NOMINAL LENGTH (INCHES)	OVERALL LENGTH (INCHES)	WATTAGE	NOMINAL LENGTH (INCHES)	OVERALL LENGTH (INCHES)	WATTAGE
9.6	14	13.6	8															
12	16	16	10															
14.4	18	18.4	12															
16.8	21	20.8	13															
19.2	23	23.2	15															
21.6	26	25.6	17															
24	28	28	19															
26.4	30	30.4	21															
28.8	33	32.8	23															
31.2	35	35.2	25															
33.6	38	37.6	27															
36	40	40	29															
38.4	42	42.4	31	85	84.8	61												
40.8	45	44.8	33	90	89.6	65	138	137.6	104									
43.2	47	47.2	35	94	94.4	69	142	142.4	108									
45.6	50	49.6	36	99	99.2	73	147	147.2	111	206	206.4	156						
48	52	52	38	104	104	77	152	152	115	214	213.6	161						
50.4	54	54.4	40	109	108.8	81	163	163.2	121	221	220.8	167	275	275.2	207			
52.8	57	56.8	42	114	113.6	84	170	170.4	127	228	228	173	285	284.8	215	344	344	259
55.2	59	59.2	44	118	118.4	88	178	177.6	132	237	236.8	177	294	294.4	223	356	356	269
57.6	62	61.6	46	123	123.2	92	185	184.8	138	246	246.4	184	304	304	230	368	368	278
60	64	64	48	128	128	96	192	192	144	256	256	192	320	320	240	380	380	288
62.4	66	66.4	50	133	132.8	100	199	199.2	150	266	265.6	200	332	332	250	398	398.4	300

PROJECT		FIXTURE TYPE		DATE	
---------	--	--------------	--	------	--

# PIPELINE® STEM MOUNTED STRAIGHT RUN

CEILING / WALL / TABLE MOUNT, EQUAL LENGTH SEGMENTS, 24VDC - WITH REMOTE POWER

REV 11.09.23

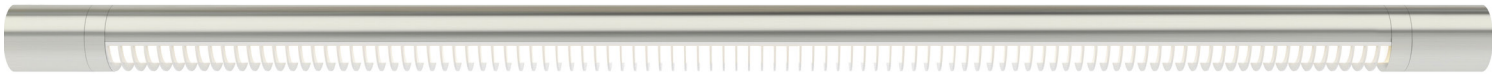
## NOMINAL LAMP DATA

LENS LENGTH UP TO 6FT



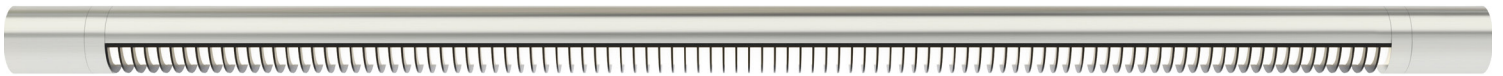
P1																	
176° DIFFUSED WHITE LENS WITHOUT LOUVER																	
DESCRIPTION	5W (4.4 Watts)						7W (7.3 Watts)						10W (9.6 Watts)				
WATTS PER FOOT																	
COLOR TEMPERATURE	24K	27K	27D*	30K	30D*	35K	40K	24K	27K	30K	35K	40K	24K	27K	30K	35K	40K
LUMENS PER FOOT (lm/ft)	386	424	432	463	472	530	576	558	613	670	767	834	643	706	771	883	960
LUMENS PER WATT (lm/w)	88	97	90	106	98	121	131	75	82	90	103	112	68	74	81	92	100
CRI	90+	95+	95+	95+	95+	90+	84	90+	95+	95+	90+	84	90+	95+	95+	90+	90+

\*27D, 30D - Warm Dim (4.8 Watts)



PH																	
176° DIFFUSED WHITE LENS WITH WHITE LOUVER																	
DESCRIPTION	5W (4.4 Watts)						7W (7.3 Watts)						10W (9.6 Watts)				
WATTS PER FOOT																	
COLOR TEMPERATURE	24K	27K	27D*	30K	30D*	35K	40K	24K	27K	30K	35K	40K	24K	27K	30K	35K	40K
LUMENS PER FOOT (lm/ft)	270	297	303	324	331	371	404	391	429	469	537	584	450	494	540	618	672
LUMENS PER WATT (lm/w)	62	68	63	74	69	85	92	53	58	63	72	78	48	52	57	65	70
CRI	90+	95+	95+	95+	95+	90+	90+	90+	95+	95+	90+	90+	90+	95+	95+	90+	90+

\*27D, 30D - Warm Dim (4.8 Watts)



PB																	
176° DIFFUSED WHITE LENS WITH BLACK LOUVER																	
DESCRIPTION	5W (4.4 Watts)						7W (7.3 Watts)						10W (9.6 Watts)				
WATTS PER FOOT																	
COLOR TEMPERATURE	24K	27K	27D*	30K	30D*	35K	40K	24K	27K	30K	35K	40K	24K	27K	30K	35K	40K
LUMENS PER FOOT (lm/ft)	155	170	190	185	207	212	231	224	2496	268	307	334	358	283	309	354	384
LUMENS PER WATT (lm/w)	36	39	40	42	43	49	53	30	33	36	41	45	28	30	33	37	40
CRI	90+	95+	95+	95+	95+	90+	90+	90+	95+	95+	90+	90+	90+	95+	95+	90+	90+

\*27D, 30D - Warm Dim (4.8 Watts)

PROJECT		FIXTURE TYPE		DATE	
---------	--	--------------	--	------	--

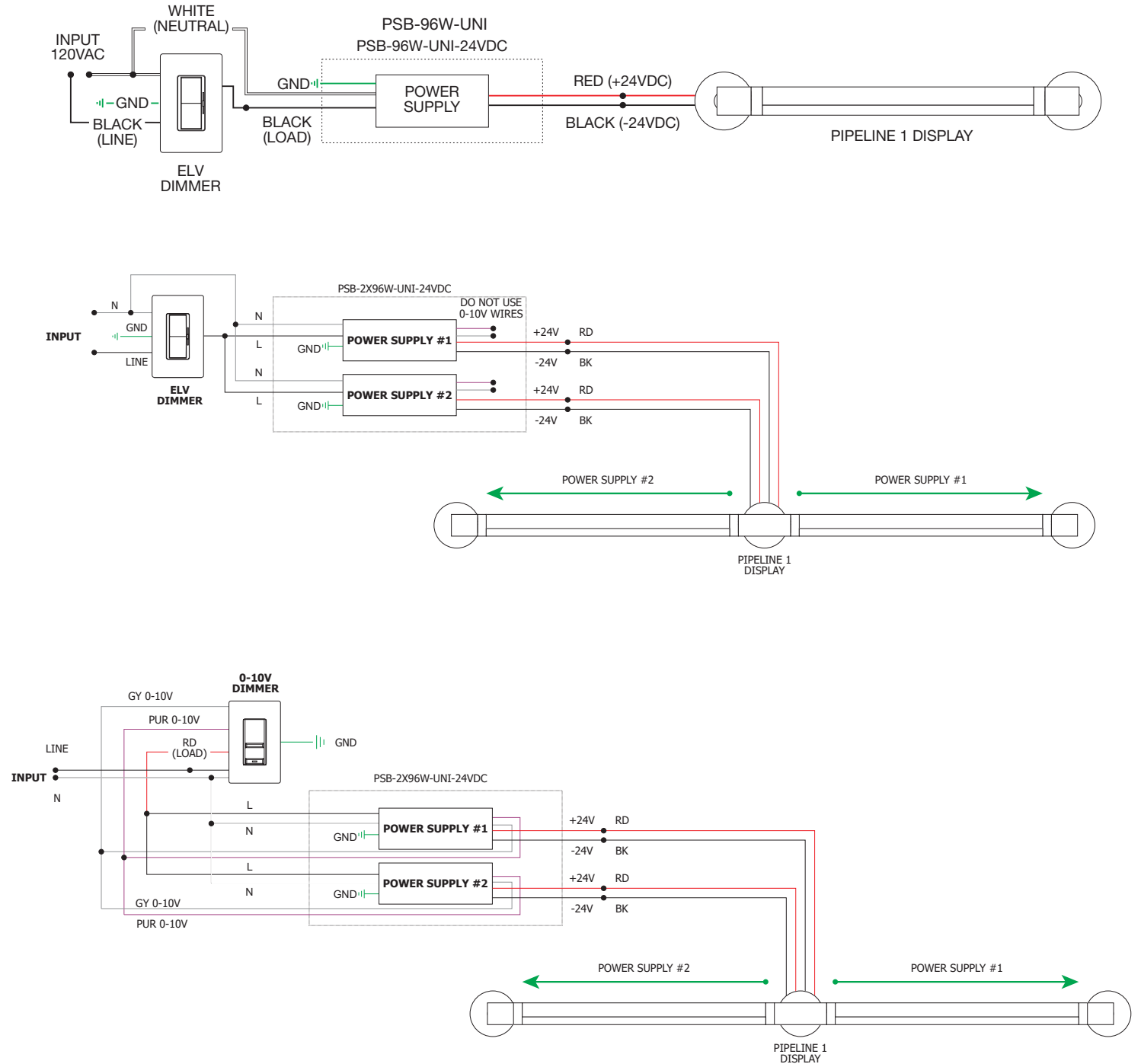
# PIPELINE® STEM MOUNTED STRAIGHT RUN

CEILING / WALL / TABLE MOUNT, EQUAL LENGTH SEGMENTS, 24VDC - WITH REMOTE POWER

REV 11.09.23

## WIRING DIAGRAM

**APPLICATION** ELV or 0-10V dimming for Pipeline Wall/Display or Ceiling  
**POWER SUPPLY** PSB-96W-UNI-24VDC or PSB-2X96W-UNI-24VDC (24VDC 96W output)



PROJECT		FIXTURE TYPE		DATE	
---------	--	--------------	--	------	--

# PIPELINE® STEM MOUNTED STRAIGHT RUN

CEILING / WALL / TABLE MOUNT, EQUAL LENGTH SEGMENTS, 24VDC - WITH REMOTE POWER

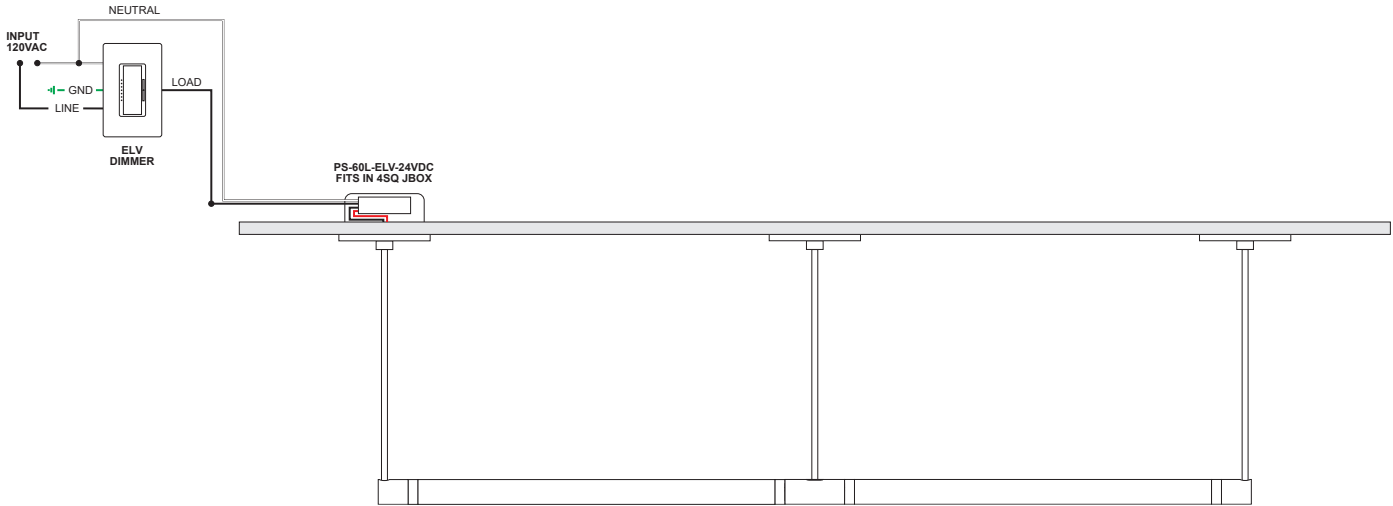
REV 11.09.23

## ELV WIRING DIAGRAM

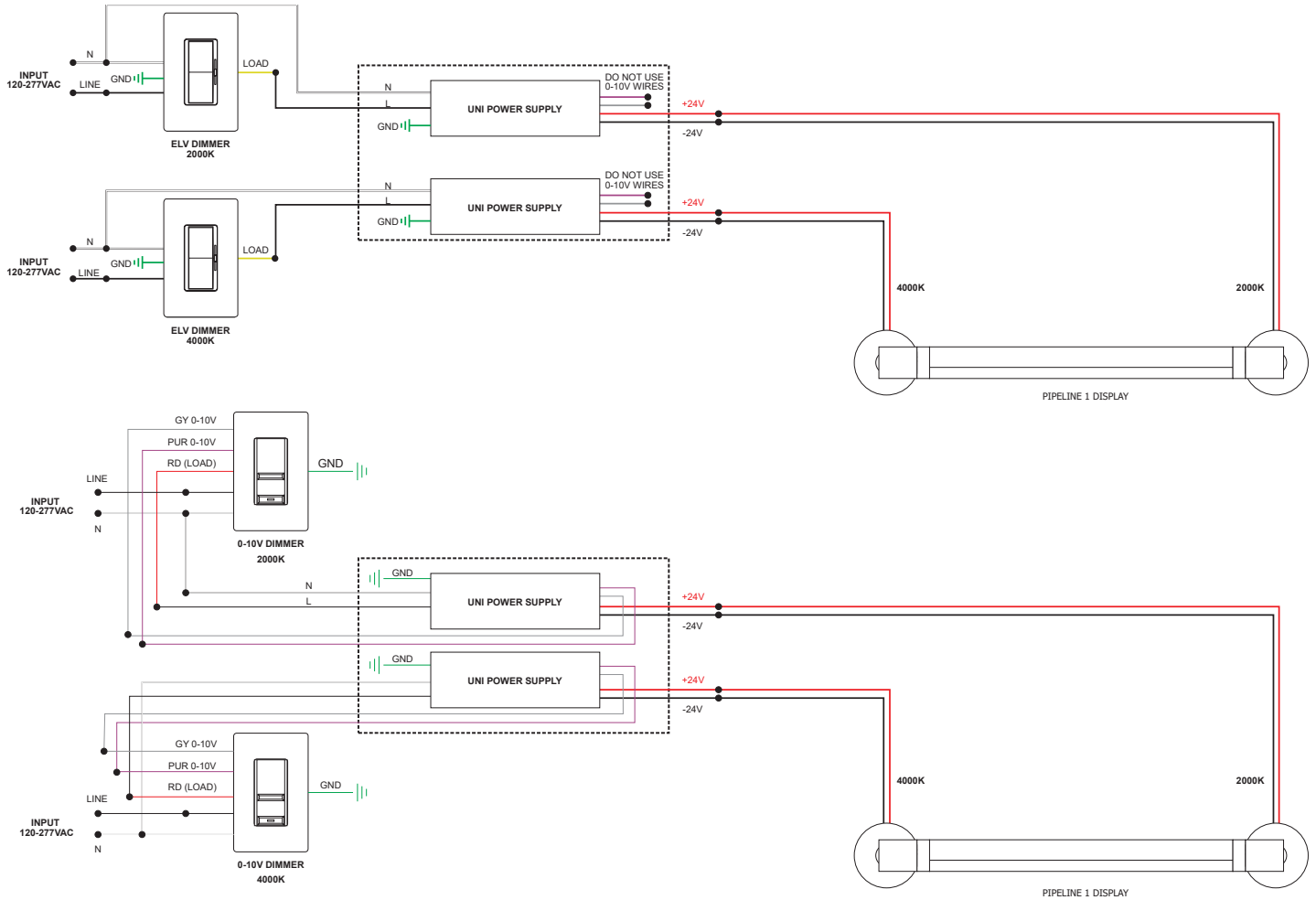
**APPLICATION** ELV dimming for Pipeline Wall/Display or Ceiling

**POWER SUPPLY** PS-60L-ELV-24VDC (50W-IC,60W NON-IC 24VDC Output)

**DIMMING** LUTRON DIVA: DVELV-300P, LUTRON SKYLARK: SELV-300P, LUTRON RADIO RA2: RRD-6NA, LUTRON MAESTRO: MAELV-600  
 LEGRAND ADORNE: ADTP-703TUM4



## TUNABLE WHITE WIRING DIAGRAM



PROJECT	FIXTURE TYPE	DATE
---------	--------------	------

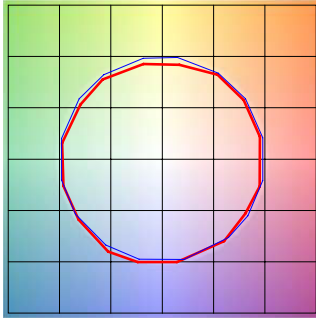
# DISPLAY TM30 DATA

CEILING / WALL / TABLE MOUNT, EQUAL LENGTH SEGMENTS, 24VDC - WITH REMOTE POWER

**TM-30-15 DATA:** The data below is for bare LED Static White Strip. Consistent color temperatures throughout a single strip and among multiple strips is possible through a 3 phase binning process in which each order is inspected with a color meter to ensure uniformity.

**2400K** | Rf: 84.5 | Rg: 94.4

Color Vector Graphic

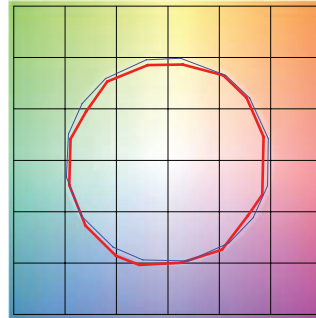


■ Test ■ Reference

HUE BIN	Rf	GRAPHIC SHIFTS %	
		CHROMA	HUE
1	92	-2.4%	1.5%
2	94.7	-2.1%	-0.0%
3	95.4	-1.9%	-0.1%
4	88.7	-6.7%	-3.1%
5	92.8	-5.6%	1.0%
6	92.7	-3.4%	3.4%
7	89.9	-4.3%	4.1%
8	92.4	-1.4%	4.4%
9	89	-0.6%	5.8%
10	88.9	0.4%	6.2%
11	89.7	4.0%	5.4%
12	92.6	3.0%	-0.7%
13	90.9	1.1%	-7.0%
14	89.9	0.5%	-5.8%
15	92.1	-3.2%	0.1%
16	88.9	-1.7%	-6.3%

**2700K** | Rf: 87.7 | Rg: 96.1

Color Vector Graphic

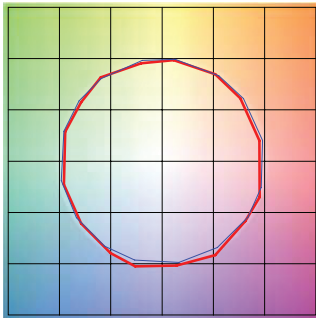


■ Test ■ Reference

HUE BIN	Rf	GRAPHIC SHIFTS %	
		CHROMA	HUE
1	88.0	-4.3%	2.6%
2	91.6	-2.4%	2.0%
3	93.7	-1.4%	1.9%
4	88.9	-5.6%	-3.1%
5	92.3	-5.5%	-0.5%
6	92.9	-3.5%	0.1%
7	84.5	-7.5%	4.6%
8	90.8	-3.0%	4.4%
9	84.5	-1.3%	8.3%
10	83.9	2.0%	9.8%
11	87.2	5.3%	7.1%
12	89.2	5.4%	-2.6%
13	88.7	0.3%	-7.8%
14	86.8	1.7%	-9.3%
15	87.6	-5.4%	-1.3%
16	83.6	-3.3%	-9.5%

**3000K** | Rf: 88.1 | Rg: 99.7

Color Vector Graphic

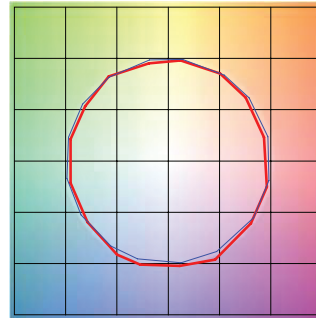


■ Test ■ Reference

HUE BIN	Rf	GRAPHIC SHIFTS %	
		CHROMA	HUE
1	92.5	-3.1%	0.3%
2	93.3	-2.3%	1.9%
3	90.9	-0.8%	3.9%
4	94.3	-1.1%	1.4%
5	92.5	-2.6%	1.5%
6	96.4	1.2%	-0.3%
7	92.6	-2.5%	-0.0%
8	96.9	-1.4%	0.2%
9	92.3	-1.8%	4.3%
10	86.6	-0.7%	7.0%
11	86.5	2.4%	8.2%
12	89.8	5.9%	1.7%
13	93.9	2.6%	-2.7%
14	89.4	5.1%	-5.8%
15	90.1	-0.1%	-4.7%
16	86.5	0.3%	-9.7%

**3500K** | Rf: 86.1 | Rg: 95.5

Color Vector Graphic

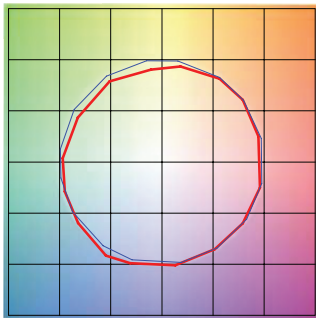


■ Test ■ Reference

HUE BIN	Rf	GRAPHIC SHIFTS %	
		CHROMA	HUE
1	90.8	-3.8%	0.3%
2	92.3	-2.8%	2.1%
3	89.7	-1.0%	4.3%
4	92.6	-1.4%	1.7%
5	91.8	-3.1%	1.3%
6	96.2	0.8%	-0.4%
7	92.9	-3.2%	0.2%
8	94.3	-2.5%	1.5%
9	90.4	-2.5%	5.2%
10	84.3	-1.4%	9.5%
11	83.1	3.5%	9.8%
12	88.2	4.8%	3.4%
13	94.0	2.7%	-2.0%
14	88.7	5.9%	-5.8%
15	88.7	0.7%	-5.9%
16	86.8	-0.7%	-6.7%

**4000K** | Rf: 87.6 | Rg: 96.8

Color Vector Graphic



■ Test ■ Reference

HUE BIN	Rf	GRAPHIC SHIFTS %	
		CHROMA	HUE
1	88.9	-2.4%	2.5%
2	93.3	-0.4%	0.8%
3	94.8	-1.0%	-0.6%
4	87.9	-4.9%	-3.6%
5	85.3	-9.4%	-2.6%
6	90.2	-6.0%	0.2%
7	85.3	-7.6%	4.6%
8	83.7	-4.1%	8.2%
9	79.5	-1.1%	13.8%
10	78.6	1.5%	12.1%
11	83.5	6.4%	7.8%
12	90.9	3.6%	-1.1%
13	88.3	1.7%	-6.3%
14	91.9	-0.4%	-2.2%
15	84.5	-0.9%	-5.5%
16	84.7	-1.1%	-4.4%

PROJECT	FIXTURE TYPE	DATE
---------	--------------	------



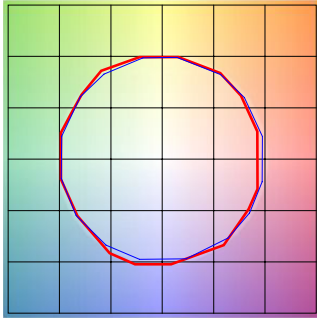
# DISPLAY TM30 DATA

CEILING / WALL / TABLE MOUNT, EQUAL LENGTH SEGMENTS, 24VDC - WITH REMOTE POWER

**TM-30-15 DATA:** The data below is for bare LED Warm Dim Strip. Consistent color temperatures throughout a single strip and among multiple strips is possible through a 3 phase binning process in which each order is inspected with a color meter to ensure uniformity.

**2700D** | Rf: 90.7 | Rg: 101.1

Color Vector Graphic

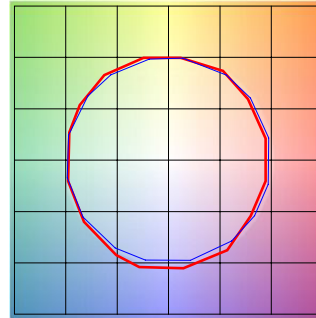


■ Test ■ Reference

HUE BIN	Rf	GRAPHIC SHIFTS %	
		CHROMA	HUE
1	90.9	-4.1%	1.1%
2	91.8	-2.2%	3.2%
3	89.0	0.2%	5.0%
4	92.9	-1.1%	0.8%
5	93.9	1.1%	1.7%
6	93.3	3.3%	0.0%
7	93.1	-0.5%	-1.9%
8	97.2	-0.3%	-0.9%
9	93.4	-1.0%	3.2%
10	89.9	-0.1%	5.6%
11	87.0	4.7%	7.2%
12	89.2	5.8%	-0.2%
13	89.1	3.5%	-6.7%
14	86.3	4.1%	-9.2%
15	91.4	-2.0%	-3.6%
16	84.7	-2.1%	-10.3%

**3000D** | Rf: 90.6 | Rg: 101.1

Color Vector Graphic



■ Test ■ Reference

HUE BIN	Rf	GRAPHIC SHIFTS %	
		CHROMA	HUE
1	91.5	-3.5%	1.3%
2	92.2	-1.8%	3.0%
3	89.3	0.5%	4.8%
4	92.7	-1.1%	0.6%
5	93.3	0.5%	1.4%
6	93.8	2.7%	-0.8%
7	91.2	-2.1%	-0.2%
8	97.0	-0.5%	-0.7%
9	92.5	-0.7%	3.8%
10	88.3	0.9%	7.1%
11	87.5	3.9%	7.6%
12	88.2	6.2%	-0.2%
13	89.9	3.4%	-6.0%
14	86.9	4.4%	-8.5%
15	91.9	-1.9%	-2.9%
16	84.7	-1.3%	-10.6%

PROJECT		FIXTURE TYPE		DATE	
---------	--	--------------	--	------	--