

PIPELINE® 1 SUSPENSION

24VDC, ROTATABLE MODULAR SYSTEM

DESIGNED BY GREGORY KAY | ASSEMBLED IN AMERICA | US PATENT ISSUED

REV 11.06.23



DESCRIPTION

The Pipeline 1 (176° Lens) Suspension Rotatable Modular System offers sleek tubes of diffused LED light and series of connectors, allowing you to easily piece together the fixture of your dreams. Run Pipeline 1 Suspension Light and Track Channels along an exposed ceiling, turn corners or climb walls with L, T, X, Y and Flexible Connectors, all in an easy-to-install plug and play package. For custom design and layout assistance, send drawings to design@PureEdgeLighting.com.

FEATURES & BENEFITS

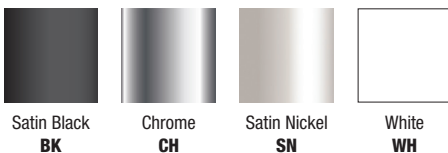
- **Low Profile:** 1.25" diameter Channel
- **Remote Power Supply:** Up to 100 Watts (End Feed); or up to 2 x 100 Watts (Center Feed)
- **Length Options:** 12"-120" (10')
- **Adjustable:** 360° Rotatable Channel for direct or indirect lighting
- **Beam Spread:** 176 degree lens with 143 degree beam spread
- **3 Lumen / Wattage Options:** 5, 7, or 10 Watts
- **High Lumen Output:** Up to 1313 lm/ft
- **Lamp Life:** 60,000 hours
- **9 Color Temperature Options:** 2400K-4000K, and Warm Dim (**27D, 30D**)
- **High CRI:** Up to 95+
- **Easy Installation:** Fully Assembled Fixture with Push-In Connectors

APPLICATIONS

Designed for indoor use only. Ideal application environments include: Architectural Lighting in Office, Retail, Commercial, and Residential components (included)

- High Grade LED Strip, installed to fit length
- Diffused White Lens
- Channel and Suspension Cables
- Optional White or Black Louver

FINISHES



*Custom Finishes Available

COMPONENTS (SOLD SEPARATELY)

- L, T, X, Y and Flexible Connectors
- End Caps and Power Connectors
- Blank Raceway Channels
- Wall Wash Channel
- Track and Heads

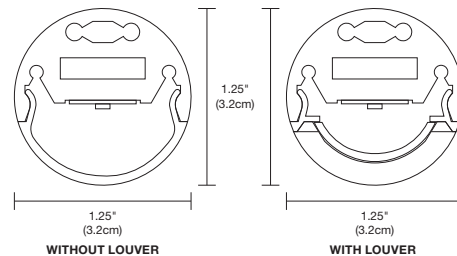
REMOTE POWER SUPPLIES*, DIMMERS & CONTROLS (SOLD SEPARATELY)

- 24VDC, Class 2 wiring
 - [Pure Smart™ WIZ Pro Power Supplies & Controls](#)
 - [UNI Driver: Universal Dimming \(TRIAC, ELV, 0-10V\)](#)
- *In-Wall Mounting and drop ceiling Kits available for select power supplies

WARRANTY / LABELS

5 year pro-rated warranty. ETL Listed. Title 24 Compliant. Assembled in America . Class 2, Title 24 JA8 listed for 2700K CCT and above when used with PureEdge remote Universal power supplies.

Use our Configurator to see List Price, Complete Ordering Code and Overall Length. [Pipeline 1 Suspension Configurator](#)



PROJECT		FIXTURE TYPE		DATE	
---------	--	--------------	--	------	--

PIPELINE® 1 SUSPENSION
ROTATABLE MODULAR SYSTEM

LENGTH CHART Actual Lengths for Pipeline 1 Suspension Rotatable Modular

Length		5W (4.4 Watts)			
LENS (Inches)	ACTUAL (Inches)	TOTAL WATTAGE	TOTAL LUMENS 3000K	TOTAL LUMENS WHITE LOUVER	TOTAL LUMENS BLACK LOUVER
12	13	5	454	345	197
24	25	10	908	690	394
36	37	15	1362	1035	591
48	49	20	1816	1380	788
60	61	25	2270	1725	985
72	73	30	2724	2070	1182
84	85	35	3178	2415	1379
96	97	40	3632	2760	1576
108	103	45	4086	3105	1773
120	121	50	4540	3450	1970

Length		7W (7.5 Watts)			
LENS (Inches)	ACTUAL (Inches)	TOTAL WATTAGE	TOTAL LUMENS 3000K	TOTAL LUMENS WHITE LOUVER	TOTAL LUMENS BLACK LOUVER
12	13	7	670	531	303
24	25	14	1340	1062	606
36	37	21	2010	1593	909
48	49	28	2680	2124	1212
60	61	35	3350	2655	1515
72	73	42	4020	3186	1818
84	85	49	4690	3717	2121
96	97	56	5360	4248	2424
108	103	63	6030	4779	2727
120	121	70	6700	5310	3030

Length		10W (9.6 Watts)			
LENS (Inches)	ACTUAL (Inches)	TOTAL WATTAGE	TOTAL LUMENS 3000K	TOTAL LUMENS WHITE LOUVER	TOTAL LUMENS BLACK LOUVER
12	13	10	780	656	375
24	25	20	1560	1312	750
36	37	30	2340	1968	1125
48	49	40	3120	2624	1500
60	61	50	3900	3280	1875
72	73	60	4680	3936	2250
84	85	70	5460	4592	2625
96	97	80	6240	5248	3000
108	103	90	7020	5904	3375
120	121	100	7800	6560	3750

WARM DIM (27D & 30D)					
Length		5W (4.8 Watts)			
LENS (Inches)	ACTUAL (Inches)	TOTAL WATTAGE	TOTAL LUMENS 3000K	TOTAL LUMENS WHITE LOUVER	TOTAL LUMENS BLACK LOUVER
12	13	5	556	224	224
24	25	10	1112	448	448
36	37	15	1668	672	672
48	49	20	2224	896	896
60	61	25	2780	1120	1120
72	73	30	3336	1344	1344
84	85	35	3892	1568	1568
96	97	40	4448	1792	1792
108	103	45	5004	2016	2016
120	121	50	5560	2240	2240

PROJECT		FIXTURE TYPE		DATE	
---------	--	--------------	--	------	--

PIPELINE® 1 SUSPENSION

ROTATABLE MODULAR SYSTEM

DIFFUSED WHITE LENS

Pipeline 1 Suspension Channel is the primary component of the Pipeline 1 Suspension Modular system. The 24VDC channel may be ordered from 12"-120" and includes a Diffused White 176° Lens that disperses the light evenly without dots. Offered in three wattage (lumen) options and multiple Color Temperatures including Warm Dim (**27D, 30D**) that dim down to 2000K. The Pipeline 1 Suspension Modular Channel can be combined with various PSM components such as L, T, X, Y and Flexible Connectors, and 2" or 4" Round Power Canopies for building personalized modular configurations. Suspension Cables (every 5') are included with the LED Channel and Lens. The 100 watt Remote Power Supply may be located up to 40' away. The Channel runs as long as 20' with 5 watts per foot, and up to 12' with 7 watts per foot and 10' with 10 watts per foot before refeeding. Use Dual Connector Center Feed with Canopy to double the length. The straight runs and L, T, X, Y and Flexible Connectors all come in Satin Nickel, Black, White, Chrome and custom finishes.

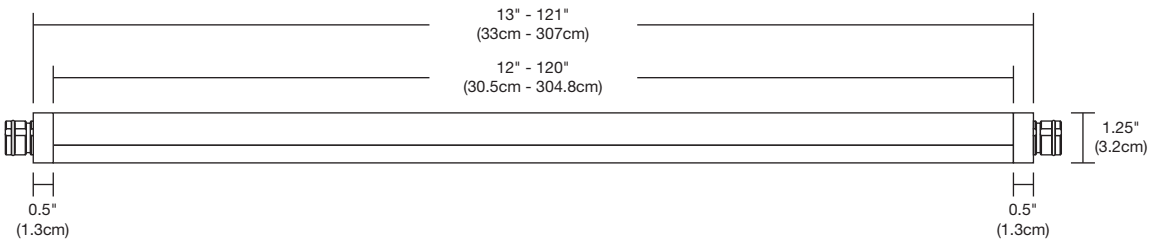
System	Wattage Per Foot	Lens Length	Color Temperature	Finish
P1SDM	5W	120	30K	SN
P1SDM Pipeline 1 Suspension, Diffused White Lens without Louver, Modular	5W 4.4 Watts 7W 7.3 Watts 10W 9.6 Watts	12-120 Order in increments from 12 to 120" - overall length (extra 1" for male connector)	24K 2400K Very Warm White 27K 2700K Incandescent White 27D 2700K Warm Dim (5W only) 30K 3000K Warm White 30D 3000K Warm Dim (5W only) 35K 3500K Neutral White 40K 4000K Cool White	BK Satin Black CH Chrome SN Satin Nickel WH White BB Satin Brass with Black Hardware BW Satin Brass with White Hardware XX Custom*

*RAL/_/_
Specify RAL Powder Coat Code (ex: #RAL/9007).
Additional finishes are available with an extended lead time. Custom quotation is required prior to ordering.



DESCRIPTION	P1SDM																
	176° Diffused White Lens without Louver																
WATTS PER FOOT	5W (4.4 Watts)						7W (7.3 Watts)						10W (9.6 Watts)				
COLOR TEMPERATURE	24K	27K	27D*	30K	30D*	35K	40K	24K	27K	30K	35K	40K	24K	27K	30K	35K	40K
LUMENS PER FOOT (lm/ft)	431	436	555	454	556	522	549	714	722	670	864	909	741	749	780	897	944
LUMENS PER WATT (lm/w)	98	99	116	103	116	119	125	87	88	92	106	111	77	78	81	93	98
CRI	90+	95+	93+	95+	92+	85+	85+	90+	95+	95+	85+	85+	90+	95+	95+	85+	85+

*27D, 30D - Warm Dim (4.8 Watts)



8' CHANNEL | 176° LENS & 143° BEAM SPREAD | 3000K

5 Watts		7 Watts		10 Watts	
Distance	Foot Candles	Distance	Foot Candles	Distance	Foot Candles
1'	139	1'	227	1'	256
1.5'	92	1.5'	152	1.5'	172
2'	69	2'	114	2'	127
3'	45	3'	75	3'	83
4'	32	4'	54	4'	60
5'	24	5'	40	5'	45
6'	19	6'	32	6'	36
7'	15	7'	25	7'	28
8'	12	8'	21	8'	23

PROJECT		FIXTURE TYPE		DATE	
---------	--	--------------	--	------	--

PIPELINE® 1 SUSPENSION

ROTATABLE MODULAR SYSTEM

DIFFUSED WHITE LENS WITH WHITE OR BLACK LOUVER

Pipeline 1 Suspension Modular Channel is the primary component of the Pipeline 1 Suspension Modular system. The 24VDC channel may be ordered from 12"-120" and includes a Diffused White Lens with a choice of White or Black Louvers. The Diffused White Lens disperses the light evenly without dots. The White Louver reduces glare while dispersing the light evenly without dots. The Black Louver reduces the most glare while dispersing the light evenly without dots. LEDs come in 3 wattage (lumen) options and multiple Color Temperatures including Warm Dim (**27D, 30D**). The Pipeline 1 Suspension Modular Channel can be combined with various PSM components such as L, T, X, Y and Flexible Connectors, and 2" or 4" Round Power Canopies for building personalized modular configurations. Suspension Cables (every 5') are included with the LED Channel and Lens. The 100 watt Remote Power Supply may be located up to 40' away. The fixture runs as long as 20' with 5 watts per foot and up to 12' with 7 watts per foot and 10' long with 10 watts per foot before re-feeding. Use Dual Connector Center Feed with Canopy to double the length. The straight runs and L, T, X, Y and Flexible Connectors all come in Satin Nickel, Black, White, Chrome and custom finishes.

System	Wattage Per Foot	Lens Length	Color Temperature	Finish
P1SDWM	5W	120	30K	SN
P1SDWM Pipeline 1 Suspension, Diffused White Lens with White Louver, Modular P1SDBM Pipeline 1 Suspension, Diffused White Lens with Black Louver, Modular	5W 4.4 Watts 7W 7.3 Watts 10W 9.6 Watts	12-120 Order in increments from 12 to 120"- overall length (extra 1" for male connector)	24K 2400K Very Warm White 27K 2700K Incandescent White 27D 2700K Warm Dim (5W only) 30K 3000K Warm White 30D 3000K Warm Dim (5W only) 35K 3500K Neutral White 40K 4000K Cool White	BK Satin Black CH Chrome SN Satin Nickel WH White BB Satin Brass with Black Hardware BW Satin Brass with White Hardware XX Custom* *RAL/____ Specify RAL Powder Coat Code (ex: #RAL/9007)

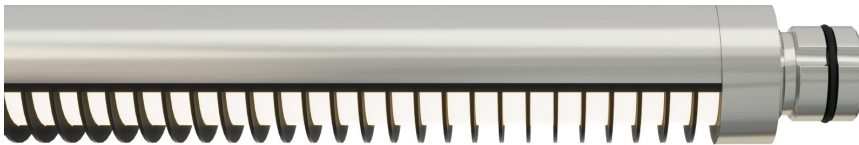
DIFFUSED WHITE LENS WITH WHITE LOUVER



P1SDWM																	
176° Diffused White Lens with White Louver																	
DESCRIPTION	5W (4.4 Watts)							7W (7.3 Watts)					10W (9.6 Watts)				
WATTS PER FOOT																	
COLOR TEMPERATURE	24K	27K	27D*	30K	30D*	35K	40K	24K	27K	30K	35K	40K	24K	27K	30K	35K	40K
LUMENS PER FOOT (lm/ft)	327	331	392	345	393	396	417	504	510	531	611	642	624	630	656	755	794
LUMENS PER WATT (lm/w)	74	75	82	78	82	90	95	69	70	73	84	88	65	66	68	79	83
CRI	90+	95+	93+	95+	92+	85+	85+	90+	95+	95+	85+	85+	90+	95+	95+	85+	85+

*27D, 30D - Warm Dim (4.8 Watts)

DIFFUSED WHITE LENS WITH BLACK LOUVER



P1SDBM																	
176° Diffused White Lens with Black Louver																	
DESCRIPTION	5W (4.4 Watts)							7W (7.3 Watts)					10W (9.6 Watts)				
WATTS PER FOOT																	
COLOR TEMPERATURE	24K	27K	27D*	30K	30D*	35K	40K	24K	27K	30K	35K	40K	24K	27K	30K	35K	40K
LUMENS PER FOOT (lm/ft)	187	189	224	197	224	226	238	288	291	303	349	367	356	360	375	431	454
LUMENS PER WATT (lm/w)	43	43	47	45	47	51	54	39	40	42	48	50	37	38	39	45	47
CRI	90+	95+	93+	95+	92+	85+	85+	90+	95+	95+	85+	85+	90+	95+	95+	85+	85+

*27D, 30D - Warm Dim (4.8 Watts)

PROJECT		FIXTURE TYPE		DATE	
---------	--	--------------	--	------	--

PIPELINE® 1 SUSPENSION

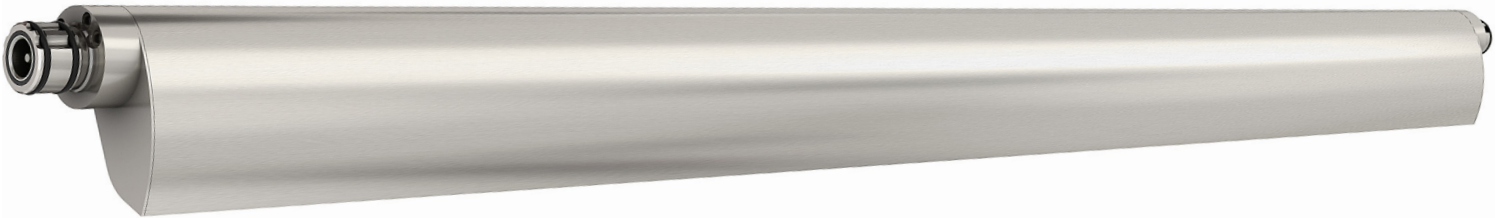
ROTATABLE MODULAR SYSTEM

WALL WASH

Pipeline Wall Wash Suspension Modular Channel is the primary component of the Pipeline Suspension Modular system. The 24VDC channel may be ordered from 12"-120" and includes a Diffused Asymmetrical Lens with a choice of a White Louvers. LEDs come in 3 wattage (lumen) options and multiple Color Temperatures including Warm Dim (**27D, 30D**). The Pipeline wall wash Suspension Modular Channel can be combined with various PSM components such as L, T, X, Y and Flexible Connectors, and 2" or 4" Round Power Canopies for building personalized modular configurations. The 100 watt Remote Power Supply may be located up to 40' away. The Channel runs as long as 20' with 5 watts per foot and up to 12' with 7 watts per foot and 10' long with 10 watts per foot before re-feeding. Use Dual Connector Center Feed with Canopy to double the length. The straight runs and L, T, X, Y and Flexible Connectors all come in Satin Nickel, Black, White, Chrome, and custom finishes.

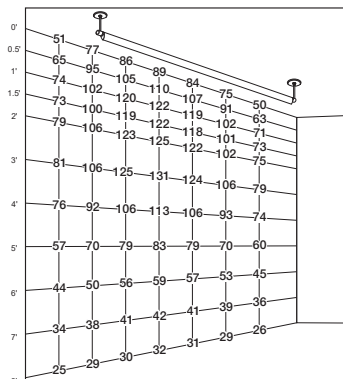
System	Wattage Per Foot	Lens Length	Color Temperature	Finish
PLSWWM	7W	120	27K	SN
PLSWWM Pipeline 1 Suspension, Wall Wash, Modular PLSWWWM Pipeline 1 Suspension, Wall Wash with White Louver, Modular	5W 4.4 Watts 7W 7.3 Watts 10W 9.6 Watts	12-120 Order in increments from 12 to 120" - overall length (extra 1" for male connector)	24K 2400K Very Warm White 27K 2700K Incandescent White 27D 2700K Warm Dim (5W only) 30K 3000K Warm White 30D 3000K Warm Dim (5W only) 35K 3500K Neutral White 40K 4000K Cool White	BK Satin Black CH Chrome SN Satin Nickel WH White BB Satin Brass with Black Hardware BW Satin Brass with White Hardware XX Custom*

*RAL/___
Specify RAL Powder Coat Code (ex: #RAL/9007)
Additional finishes are available with an extended lead time. Custom quotation is required prior to ordering.

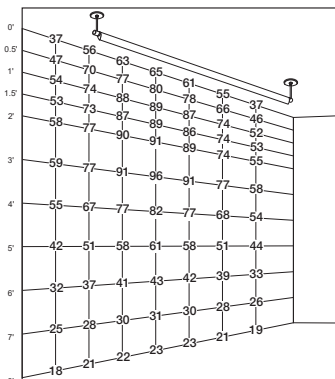


DESCRIPTION	PWS														
	Wall Wash														
	5W (4.4 Watts)					7W (7.3 Watts)					10W (9.6 Watts)				
WATTS PER FOOT															
COLOR TEMPERATURE	24K	27K	30K	35K	40K	24K	27K	30K	35K	40K	24K	27K	30K	35K	40K
LUMENS PER FOOT (lm/ft)	397	401	418	479	505	613	619	645	740	780	727	766	797	915	965
LUMENS PER WATT (lm/w)	90	91	95	109	115	84	85	88	101	107	76	80	83	95	101
CRI	92+	92+	92+	92+	92+	92+	92+	92+	92+	92+	90+	95+	95+	85+	85+

Ceiling Mounted 24" Off Wall
6 Foot Long Pipeline Wall Wash 7 Watt
3000K Foot Candle Distribution



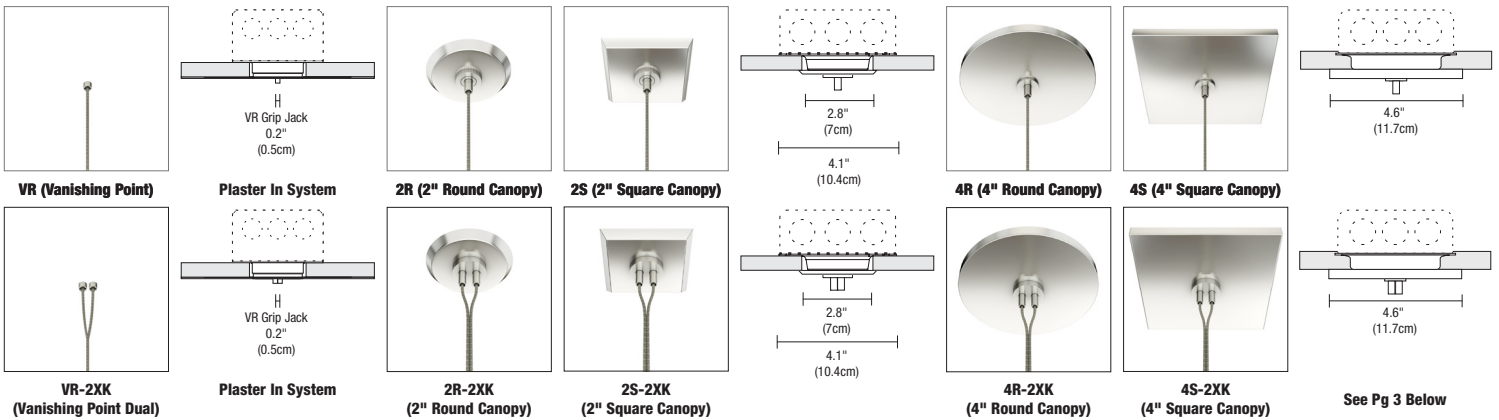
Ceiling Mounted 24" Off Wall
6 Foot Long Pipeline Wall Wash With
White Louver 7 Watt 3000K Foot
Candle Distribution



PROJECT		FIXTURE TYPE		DATE	
---------	--	--------------	--	------	--

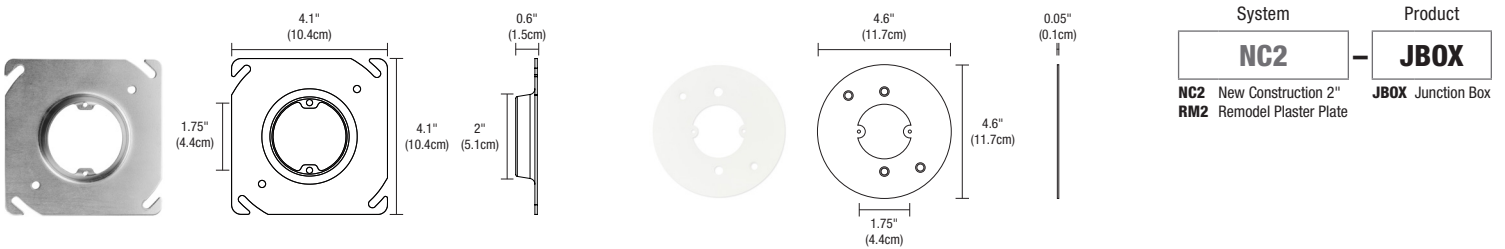
REMOTE POWER CANOPIES

The 2" Round and Square canopies include the NC2-JBOX cover. The 4" canopies mount to a standard 4" junction box. Vanishing point is the only truly trimless and flush design available on the market as the suspension cables disappear into the ceiling. Refer to the [Vanishing Point specification](#) for details and requirements including millwork options.

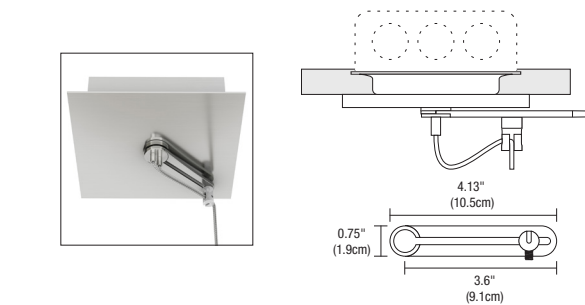


NEW CONSTRUCTION & REMODEL 2" COVER FOR 4" SQUARE JUNCTION BOX

The New Construction NC2-JBOX cover is included with the 2" round and square canopies and is not required for the 4" square canopies. The NC2 cover mounts to a standard 4" junction or octagon box accommodating the 2" Plaster Ring for use with the 2R and 2S canopies. The Remodel RM2-JBOX plaster plate cover must be used with the supplied PureEdge junction box.

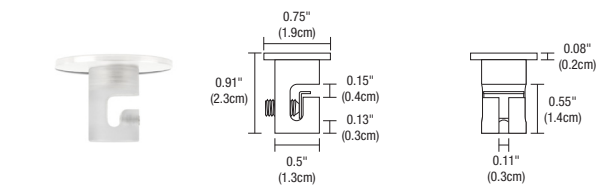
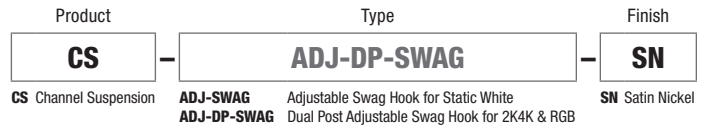


ACCESSORIES Additional components may be required based on lighting design and application.



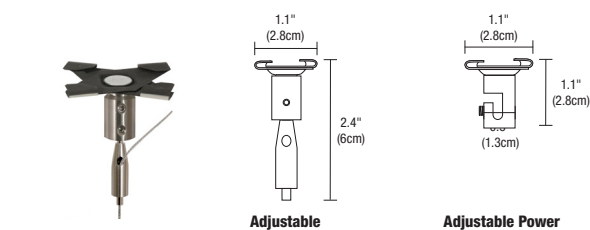
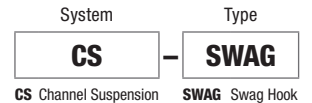
CHANNEL SUSPENSION ADJUSTABLE SWAG BAR AND HOOK

Channel Suspension Adjustable Swag Bar and Hook allows a cable to form a straight connection to the channel when the Power Canopy is not located directly above the fixture. Use when you have two or more canopies (power supplies) on the same fixture run. The Adjustable Swag Hook is compatible with the 2R, 2S, 4R and 4S Power Canopies (Canopy not included).



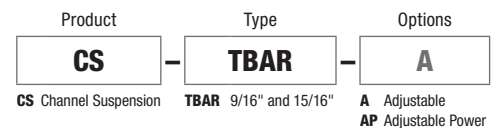
CHANNEL SUSPENSION SWAG HOOK

The clear plastic Swag Hook extends a cable from an electrical box that is not located directly above desired fixture location.



CHANNEL SUSPENSION ADJUSTABLE T-BAR CLIP

Channel Suspension Adjustable T-Bar Clip mounts to T-Bar grid ceilings. Adjustable is offered in Satin Nickel, Clear plastic for Adjustable Power.

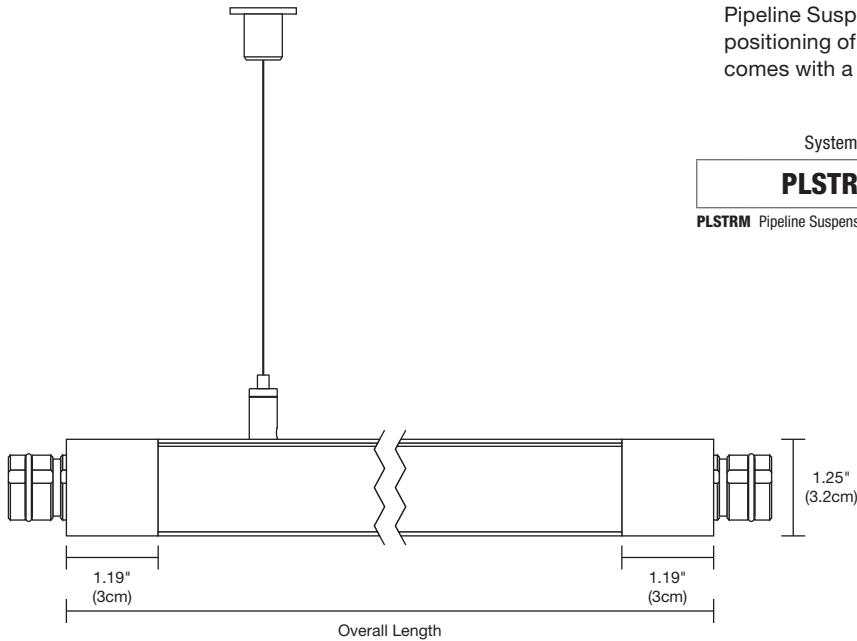


PROJECT		FIXTURE TYPE		DATE	
---------	--	--------------	--	------	--

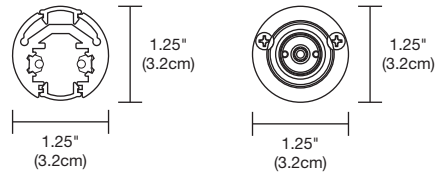
COMPONENTS Suspension Track

PIPELINE SUSPENSION TRACK 24VDC MODULAR

Pipeline Suspension Track is a 24VDC lighting system allowing variable positioning of Pure Edge 24V Track Heads. The track is field cuttable and comes with a cover to hide the slot and suspension support cable.

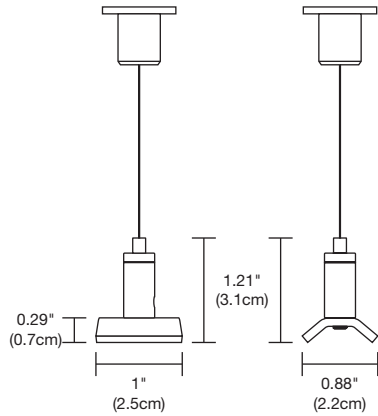


System	Length	Finish
PLSTRM	12	BK
PLSTRM Pipeline Suspension Track Modular	8 8" overall length (min. for 1 Track Head) 12 12" overall length (min. for 3 Track Heads) 18 18" overall length 24 24" overall length 36 36" overall length 48 48" overall length 60 60" overall length 96 96" overall length	BK Black WH White XX Custom* *RAL/ Specify RAL Powder Coat Code (ex: #RAL/9007) Additional finishes are available with an extended lead time. Custom quotation is required prior to ordering.
May be custom ordered in 2.4" increments		



PIPELINE 1 SUSPENSION TRACK MOUNTING CLIP INCLUDED

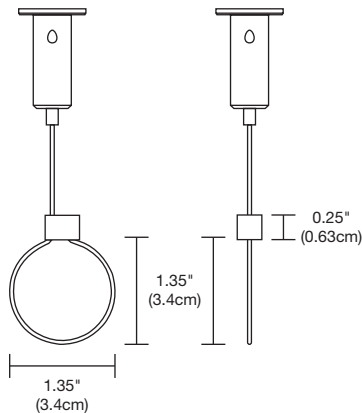
Suspension support cable included with every 5' of Pipeline Suspension Track.



System	Type	Finish
PLSTRM	MCL	SN
PLSTRM Pipeline Suspension Track Modular	MCL Mounting Clip	SN Satin Nickel Hardware

PIPELINE 1 SUSPENSION MOUNTING CLIP

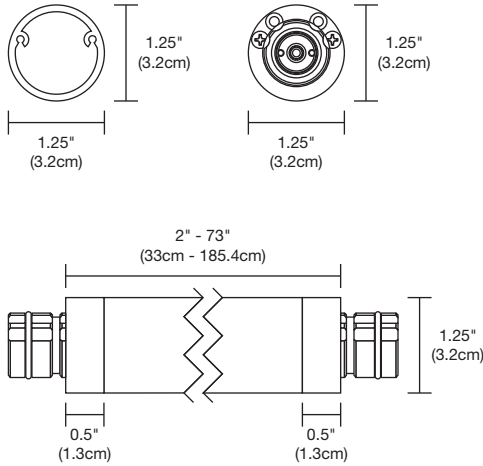
Included with every 5' of Pipeline Suspension LED fixture.



System	Type	Finish
PLSM	MCL	SN
PLSM Pipeline Suspension Modular Downlight	MCL Mounting Clip	SN Satin Nickel Hardware

PROJECT	FIXTURE TYPE	DATE
---------	--------------	------

MODULAR CONFIGURATIONS Use L, T, X, Y, & Flexible Connectors to design any Modular formation



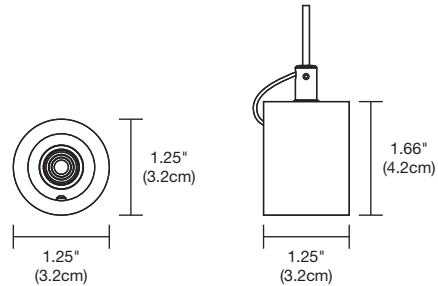
BLANK CHANNEL - HORIZONTAL

Blank Horizontal Channel physically joins two Pipeline 1 Suspension Modular Downlight sections, providing structure to desired horizontal or vertical configurations without illumination. It also conducts power from one section to another (**BCC**), or be used to isolate powered sections from each other (**BNC**). Horizontal run will include 12' of Aircraft Cable (one for every 5'), which easily adjusts at Canopy with a Push-In type connector.

System	Type	Overall Size	Finish
PLSM	BCC	120	BK
PLSM Pipeline Suspension Modular Downlight	BCC Blank Channel Conductive BNC Use Vertically or Horizontally Blank Channel Non-Conductive	12-120 Order in increments from 12"-120" May be ordered in 1" increments	BK Black CH Chrome SN Satin Nickel WH White BB Satin Brass with Black Plugs BW Satin Brass with White Plugs XX Custom* *RAL/ Specify RAL Powder Coat Code (ex: #RAL/9007) Additional finishes are available with an extended lead time. Custom quotation is required prior to ordering.

END CAP - VERTICAL POWER CABLE

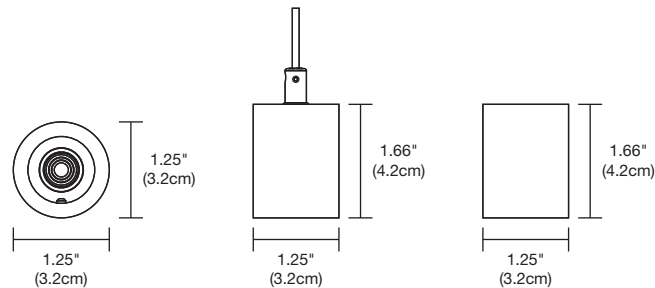
End Cap - Vertical Power Connector finishes the Pipeline 1 Suspension Modular Channels and provides 24VDC power from a Remote or Surface Mount Power Supply up to 100 watts. For a Remote Power Supply choose a 2" or 4" Round Canopy, for Surface Mount Power Supply and no Canopy use ordering code "**EZ**" (Coaxial Cable End Zero). Includes 12' of Coaxial Power Cable, which easily adjusts at Canopy with a Push-In Grip Jack Connector.



System	Type	Orientation	Canopy	Finish
PLSM	CAP	V	2R	BK
PLSM Pipeline Suspension Modular Downlight	CAP End Cap Power	V Vertical	2R 2.8" Round Canopy 4R 4.6" Round Canopy EZ No Canopy, for use with Surface Mount Power Supply, p. 45 VR Vanishing Point with No Canopy, only see cable going through drywall ceiling	BK Black CH Chrome WH White XX Custom* *RAL/ Specify RAL Powder Coat Code (ex: #RAL/9007) Additional finishes are available with an extended lead time (including satin nickel). Custom quotation is required prior to ordering.

END CAP - VERTICAL & VERTICAL FLOAT

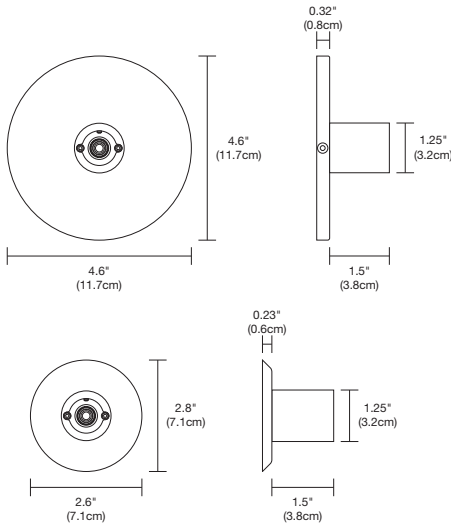
End Cap - Vertical End Cap support with Aircraft Cable (no Power Feed). End Cap Float - Vertical terminates the Pipeline 1 Suspension Modular vertical light run and provides a finished look (no Aircraft Cable).



System	Type	Orientation	Finish
PLSM	CA	V	BK
PLSM Pipeline Suspension Modular Downlight	CA End Cap	V Vertical F Float	BK Black CH Chrome WH White XX Custom* *RAL/ Specify RAL Powder Coat Code (ex: #RAL/9007) Additional finishes are available with an extended lead time (including satin nickel). Custom quotation is required prior to ordering.

PROJECT		FIXTURE TYPE		DATE	
---------	--	--------------	--	------	--

COMPONENTS Power End Cap & End Cap



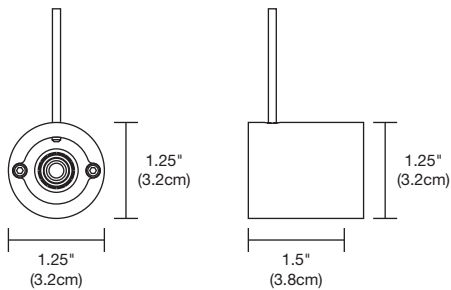
WALL OR CEILING 2" AND 4" ROUND END CAP POWER FEED

End Cap Power Feed from the wall or ceiling electrical junction box to the Pipeline Modular fixture to provide a finished look.

System	Type	Orientation	Canopy	Finish
PLWM	CAP	VH	4R	BK
PLWM Pipeline Wall or Ceiling Modular Canopy	CAP End Cap Power CA End Cap Non-Power	VH Vertical or Horizontal	4R 4.6" Round Canopy 2R 2.6" Round Canopy	BK Black CH Chrome SN Satin Nickel WH White XX Custom* *RAL/_ Specify RAL Powder Coat Code (ex: #RAL/9007) Additional finishes are available with an extended lead time. Custom quotation is required prior to ordering.

END CAP - HORIZONTAL CONNECTOR POWER CABLE

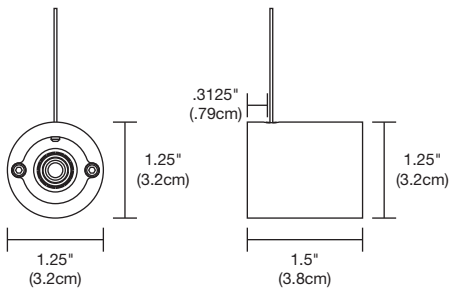
End Cap - Horizontal Power Connector finishes the Pipeline 1 Suspension Modular Channel and provides 24VDC power from a Remote or Surface Mount Power Supply up to 100 watts. For a Remote Power Supply choose a 2" or 4" Round Canopy, for Surface Mount Power Supply and no Canopy use ordering code "EZ" (Coaxial Cable End Zero). Includes 12' of Coaxial Power Cable, which easily adjusts at Canopy with a Push-In Grip Jack Connector.



System	Type	Orientation	Canopy	Finish
PLSM	CAP	H	2R	BK
PLSM Pipeline Suspension Modular Downlight	CAP End Cap Power	H Horizontal	2R 2.8" Round Canopy 4R 4.6" Round Canopy EZ No Canopy, for use with Surface Mount Power Supply, p. 45 VR Vanishing Point with No Canopy, only see cable going through drywall ceiling	BK Black CH Chrome SN Satin Nickel WH White XX Custom* *RAL/_ Specify RAL Powder Coat Code (ex: #RAL/9007) Additional finishes are available with an extended lead time. Custom quotation is required prior to ordering.

END CAP - HORIZONTAL

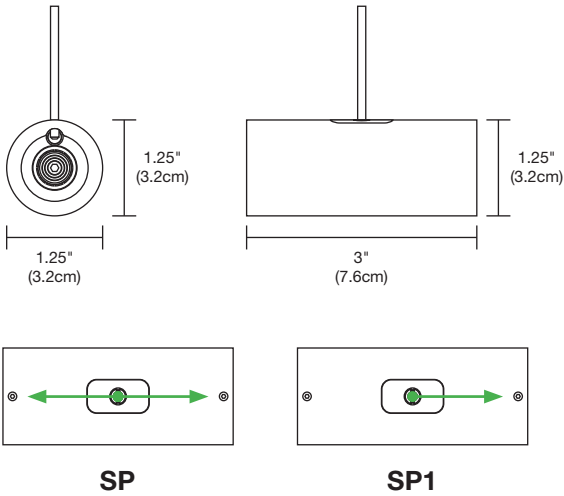
End Cap - Horizontal terminates the Pipeline 1 Suspension Modular Downlight run and provides a finished look. Includes 12' of adjustable Aircraft Cable and Ceiling Anchors.



System	Type	Orientation	Finish
PLSM	CA	H	BK
PLSM Pipeline Suspension Modular Downlight	CA End Cap	H Horizontal	BK Black CH Chrome SN Satin Nickel WH White XX Custom* *RAL/_ Specify RAL Powder Coat Code (ex: #RAL/9007) Additional finishes are available with an extended lead time. Custom quotation is required prior to ordering.

PROJECT	FIXTURE TYPE	DATE
---------	--------------	------

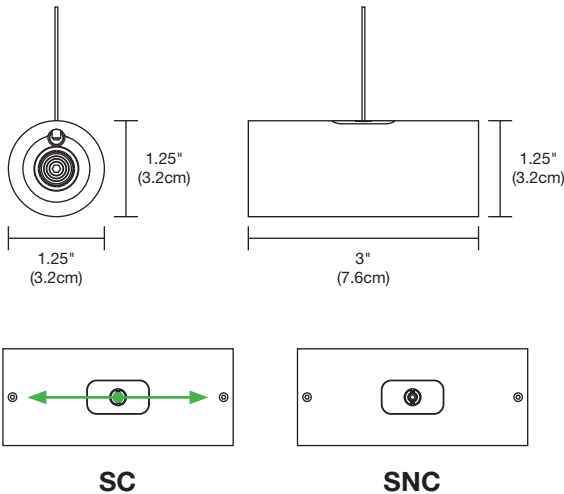
COMPONENTS Straight Connectors



STRAIGHT POWER CONNECTOR

Straight Power Connector joins two sections of Pipeline 1 Suspension Modular Channels and provides 24VDC power from a Remote or Surface Mount Power Supply up to 100 watts before re-feeding. For powering two Channels, use ordering code **"SP-H"** for feeding the power to one channel only use ordering code **"SP1-H"**. For a Remote Power Supply choose a 2" or 4" Round Canopy, for Surface Mount Power Supply and no Canopy use ordering code **"EZ"** (Coaxial Cable End Zero). Includes 12' of Coaxial Power Cable, which easily adjusts at Canopy with a Push-In Grip Jack Connector.

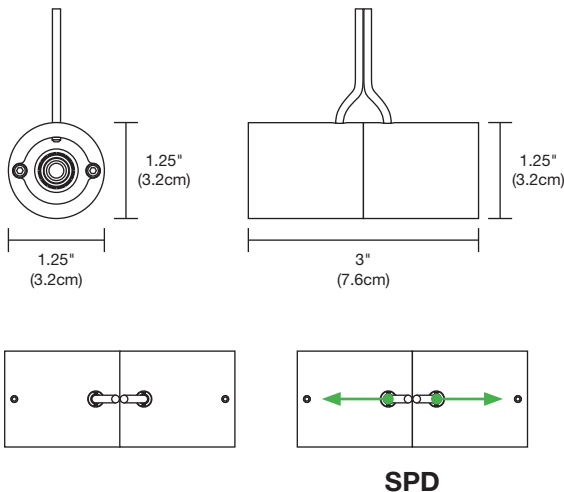
System	Type	Canopy	Finish
PLSM	SP-H	2R	BK
PLSM Pipeline Suspension Modular Downlight	SP-H Straight Power Horizontal Connector, Conductive in 2 sections SP1-H Straight Power Horizontal Connector, Conductive in 1 Section	2R 2.8" Round Canopy 4R 4.6" Round Canopy EZ No Canopy, for use with Surface Mount Power Supply, p. 45 VR Vanishing Point with No Canopy, only see cable going through drywall ceiling	BK Black CH Chrome SN Satin Nickel WH White XX Custom* *RAL/_ Specify RAL Powder Coat Code (ex: #RAL/9007) Additional finishes are available with an extended lead time. Custom quotation is required prior to ordering.



STRAIGHT HORIZONTAL CONNECTOR

Straight Horizontal Connector joins two sections of Pipeline 1 Suspension Modular Downlight. It is electrically powered from the previous Channel (**SC**) or isolates the power (**SNC**). Includes 12' of Aircraft Cable, which easily adjusts at the ceiling with a Push-In type Grip Jack Connector.

System	Type	Finish
PLSM	SC-H	BK
PLSM Pipeline Suspension Modular Downlight	SC-H Straight Horizontal Conductive Connector SNC-H Straight Horizontal Non-Conductive Connector	BK Black CH Chrome SN Satin Nickel WH White XX Custom* *RAL/_ Specify RAL Powder Coat Code (ex: #RAL/9007) Additional finishes are available with an extended lead time. Custom quotation is required prior to ordering.



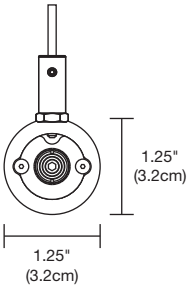
PIPELINE STRAIGHT DUAL - HORIZONTAL POWER FEED

Pipeline Suspension Dual Straight Power Feeds up to 100 watts per Coaxial Cable for a total of 200 watts. For a Remote Power Supply choose a 2" or 4" Round Canopy, for Surface Mount Power Supply and no Canopy use ordering code **"EZ"** (Coaxial Cable End Zero). Includes 12' of Coaxial Power Cable, which easily adjusts at Canopy with a Push-In Grip Jack Connector.

System	Type	Canopy	Finish
PLSM	SPD-H	2R	BK
PLSM Pipeline Suspension Modular Downlight	SPD-H Straight Power, Dual Circuit - Horizontal Connector	2R 2.8" Round Canopy 4R 4.6" Round Canopy EZ No Canopy, for use with Surface Mount Power Supply, p. 45 VR Vanishing Point with No Canopy, only see cable going through drywall ceiling	BK Black CH Chrome SN Satin Nickel WH White XX Custom* *RAL/_ Specify RAL Powder Coat Code (ex: #RAL/9007) Additional finishes are available with an extended lead time. Custom quotation is required prior to ordering.

PROJECT	FIXTURE TYPE	DATE
---------	--------------	------

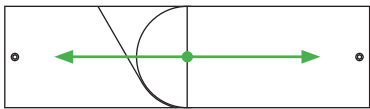
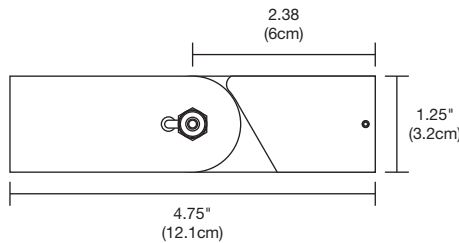
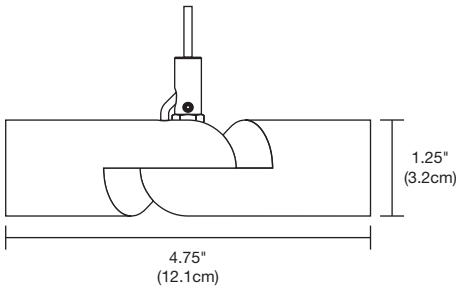
COMPONENTS Flexible Connectors



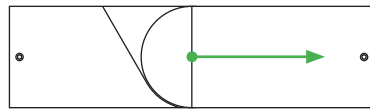
FLEXIBLE HORIZONTAL POWER L-CONNECTOR

Flexible Horizontal L-Shaped Power Connector joins two sections of Pipeline 1 Suspension Modular channels at any horizontal angle from 45°-315° and provides 24VDC power from a Remote or Surface Mount Power Supply up to 100 watts before re-feeding. For powering two Channels use ordering code "LP-FXH" for feeding the power to the one Channel only use "LP1-FXH". For a Remote Power Supply choose a 2" or 4" Round Canopy, for Surface Mount Power Supply and no Canopy use ordering code "EZ" (Coaxial Cable End Zero). Includes 12' of Coaxial Power Cable, which easily adjusts at Canopy with a Push-In Grip Jack Connector.

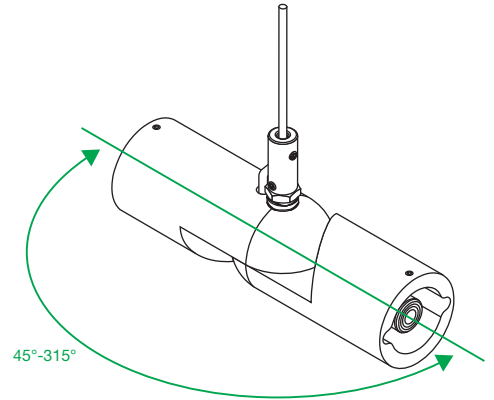
System	Type	Canopy	Finish
PLSM	LP1-FXH	2R	BK
PLSM Pipeline Suspension Modular Downlight	LP-FXH Flexible Horizontal L-Shaped Power Connector, Conductive on 2 Sections LP1-FXH Flexible Horizontal L-Shaped Power Connector, Conductive on 1 Section	2R 2.8" Round Canopy 4R 4.6" Round Canopy EZ No Canopy, for use with Surface Mount Power Supply, p. 45 VR Vanishing Point with No Canopy, only see cable going through drywall ceiling	BK Black WH White XX Custom* *RAL/_ Specify RAL Powder Coat Code (ex: #RAL/9007) Additional finishes are available with an extended lead time. Custom quotation is required prior to ordering.



LP-FXH



LP1-FXH

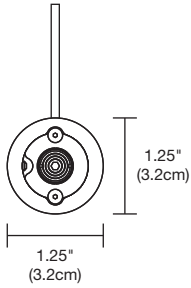


FLEXIBLE HORIZONTAL L-CONNECTOR WITHOUT POWER

Flexible Horizontal Connector joins two sections of Pipeline 1 Suspension Modular Downlight at any horizontal angle from 45°-315°. It is electrically powered from the previous Channel (LC) or isolates the power (LNC). Includes 12' of Aircraft Cable, which easily adjusts at the ceiling with a Push-In type connector.

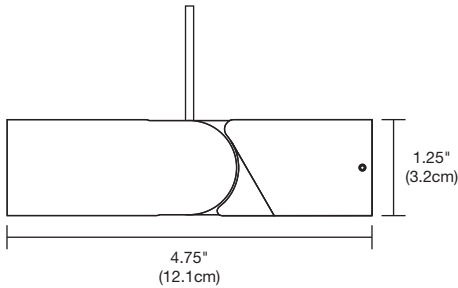
System	Type	Finish
PLSM	LC-FXH	BK
PLSM Pipeline Suspension Modular Downlight	LC-FXH Flexible Horizontal Connector LNC-FXH Flexible Horizontal, Non-Conductive Connector	BK Black WH White XX Custom* *RAL/_ Specify RAL Powder Coat Code (ex: #RAL/9007) Additional finishes are available with an extended lead time. Custom quotation is required prior to ordering.

COMPONENTS Flexible Connectors (cont'd)

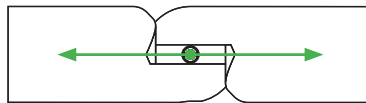
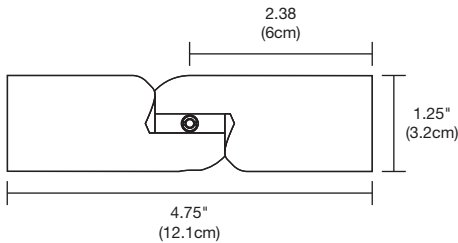


PIPELINE 1 FLEXIBLE VERTICAL POWER CONNECTOR

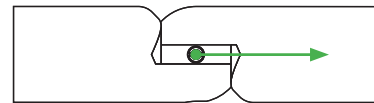
Flexible Vertical Power Connector joins two sections of Pipeline 1 Suspension Modular Channels at a vertical angle and provides 24VDC power from a Remote or Surface Mount Power Supply up to 100 watts before re-feeding. Upward angle connections have a range of 0°-30° on each side and 60° when only one side of the connector is used. Downward angle connections have a range of 0°-120° when only one side of the connector is used or 0°-60° on each side when both sides are used. For powering two channels use ordering code "LP-FXV" for feeding the power to the one channel only use "LP1-FXV". For a Remote Power Supply choose a 2" or 4" Round Canopy, for Surface Mount Power Supply and no Canopy use ordering code "EZ" (Coaxial Cable End Zero). Includes 12' of Coaxial Power Cable, which easily adjusts at Canopy with a Push-In Grip Jack Connector.



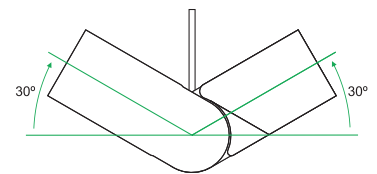
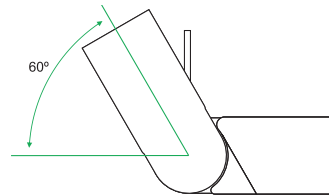
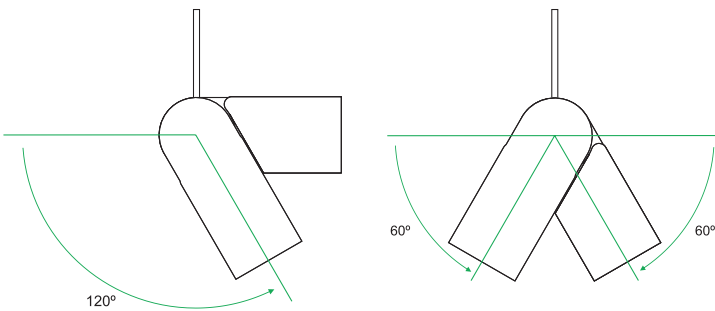
System	Type	Canopy	Finish
PLSM	LP1-FXV	2R	BK
PLSM Pipeline Suspension Modular Downlight	LP-FXV Flexible Vertical Power Conductive Connector LP1-FXV Flexible Vertical Power Connector, Conductive on 1 Section	2R 2.8" Round Canopy 4R 4.6" Round Canopy EZ No Canopy, for use with Surface Mount Power Supply, p. 45 VR Vanishing Point with No Canopy, only see cable going through drywall ceiling	BK Black WH White XX Custom* *RAL/___ Specify RAL Powder Coat Code (ex: #RAL/9007) Additional finishes are available with an extended lead time. Custom quotation is required prior to ordering.



LP-FXV



LP1-FXV



PIPELINE 1 FLEXIBLE VERTICAL CONNECTOR WITHOUT POWER

Flexible Vertical Connector joins two sections of Pipeline 1 Suspension Modular at a vertical angle. Upward angle connections have a range of 0°-60° when only one side connector is used or 0°-30° on each side when both sides are used. Downward angle connections have a range of 0° to 120° when only one side of the connector is used or 0°-60° on each side when both sides are used. It is electrically powered from the previous Channel (**LC-FXV**) or isolates the power (**LNC-FXV**).

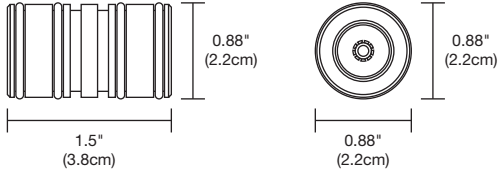
System	Type	Finish
PLSM	LC-FXV	BK
PLSM Pipeline Suspension Modular Downlight	LC-FXV Flexible Vertical Conductive Connector LNC-FXV Flexible Vertical Non-Conductive Connector	BK Black WH White XX Custom* *RAL/___ Specify RAL Powder Coat Code (ex: #RAL/9007) Additional finishes are available with an extended lead time. Custom quotation is required prior to ordering.

PROJECT	FIXTURE TYPE	DATE
---------	--------------	------

PIPELINE[®] 1 SUSPENSION

ROTATABLE MODULAR SYSTEM

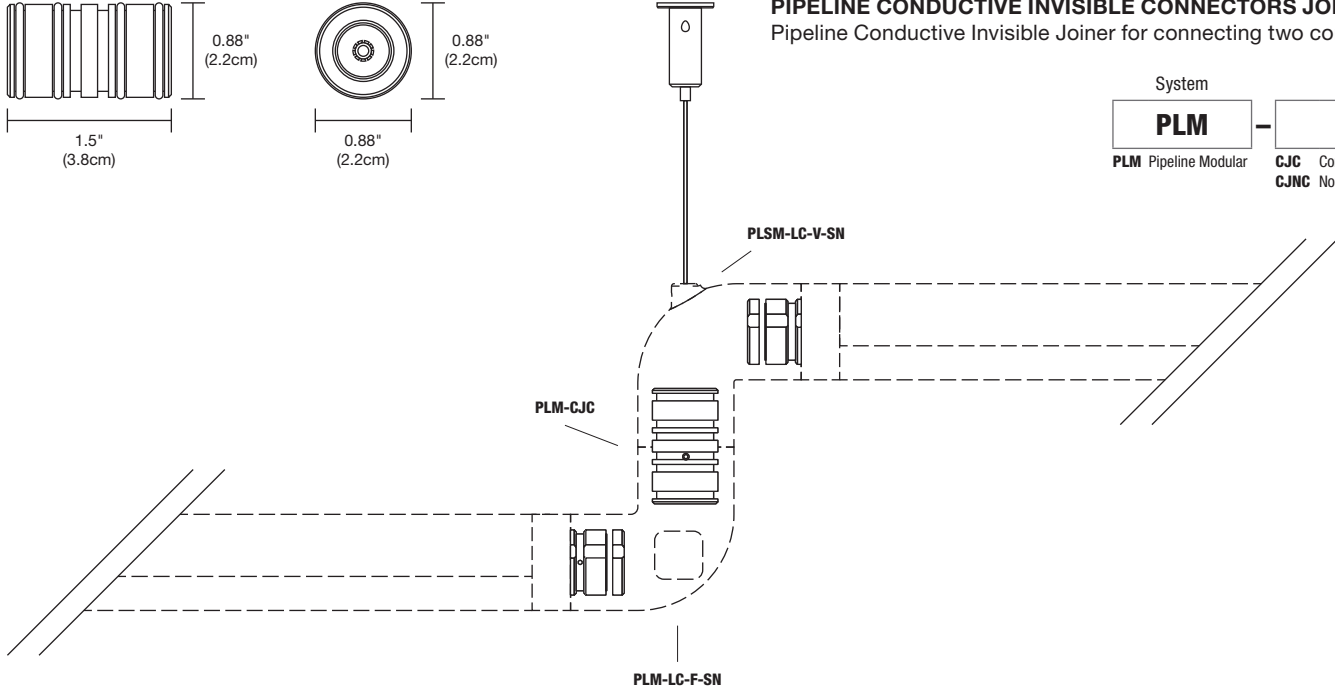
COMPONENTS Straight Connectors



PIPELINE CONDUCTIVE INVISIBLE CONNECTORS JOINER

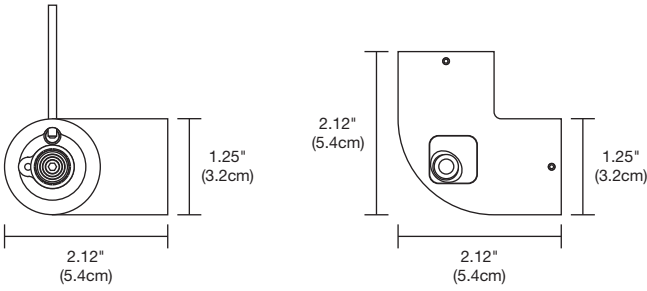
Pipeline Conductive Invisible Joiner for connecting two connectors.

System	Size
PLM	CJC
PLM Pipeline Modular	CJC Conductive Joiner Connector
	CJNC Non-Conductive Connector



PROJECT		FIXTURE TYPE		DATE	
---------	--	--------------	--	------	--

COMPONENTS Straight Connectors



L-SHAPED POWER HORIZONTAL CONNECTOR

L-Shaped Power Horizontal Connector joins two sections of Pipeline 1 Suspension Modular Channels at 90° apart and provides 24VDC power from a Remote or Surface Mount Power Supply up to 100 watts before re-feeding. For powering two channels use ordering code "**LP-H**" for feeding the power to the left channel only use "**LPL-H**" for right channel only use "**LPR-H**". For a Remote Power Supply choose a 2" or 4" Round Canopy, for Surface Mount Power Supply and no Canopy use ordering code "**EZ**" (Coaxial Cable End Zero). Includes 12' of Coaxial Power Cable, which easily adjusts at Canopy with a Push-In Grip Jack Connector.

System	Type	Canopy	Finish
PLSM	LP-H	2R	BK

PLSM Pipeline Suspension Modular Downlight

LP-H L-Shaped Power Horizontal Connector, Conductive on 2 Sections

LPL-H L-Shaped Power Horizontal Connector, Conductive on Left Section

LPR-H L-Shaped Power Horizontal Connector, Conductive on Right Section

2R 2.8" Round Canopy

4R 4.6" Round Canopy

EZ No Canopy, for use with Surface Mount Power Supply, p. 45

VR Vanishing Point with No Canopy, only see cable going through drywall ceiling

BK Black

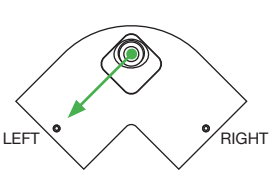
WH White

SN Satin Nickel

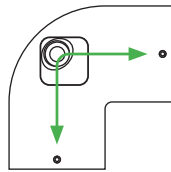
CH Chrome

XX Custom*

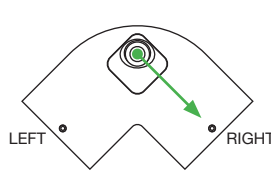
*RAL/____
Specify RAL Powder Coat Code (ex: #RAL/9007)
Additional finishes are available with an extended lead time. Custom quotation is required prior to ordering.



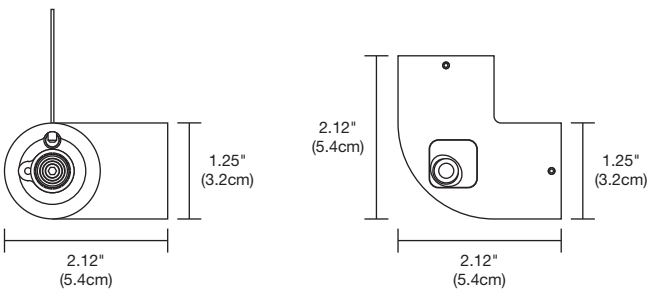
LPL



LP



LPR



L-SHAPED HORIZONTAL CONNECTOR

L-Shaped Horizontal Connector joins two sections of Pipeline Suspension Channel at 90° apart, conducting the power (**LC**) or isolating the power (**LNC**). Includes 12' of Aircraft Cable, which easily adjusts at a Push-In type connector.

System	Type	Finish
PLSM	LC-H	BK

PLSM Pipeline Suspension Modular Downlight

LC-H L-Shaped Conductive Horizontal Connector

LNC-H L-Shaped Non-Conductive Horizontal Connector

BK Black

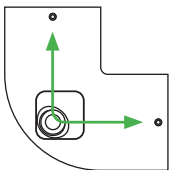
WH White

SN Satin Nickel

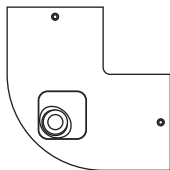
CH Chrome

XX Custom*

*RAL/____
Specify RAL Powder Coat Code (ex: #RAL/9007)
Additional finishes are available with an extended lead time. Custom quotation is required prior to ordering.

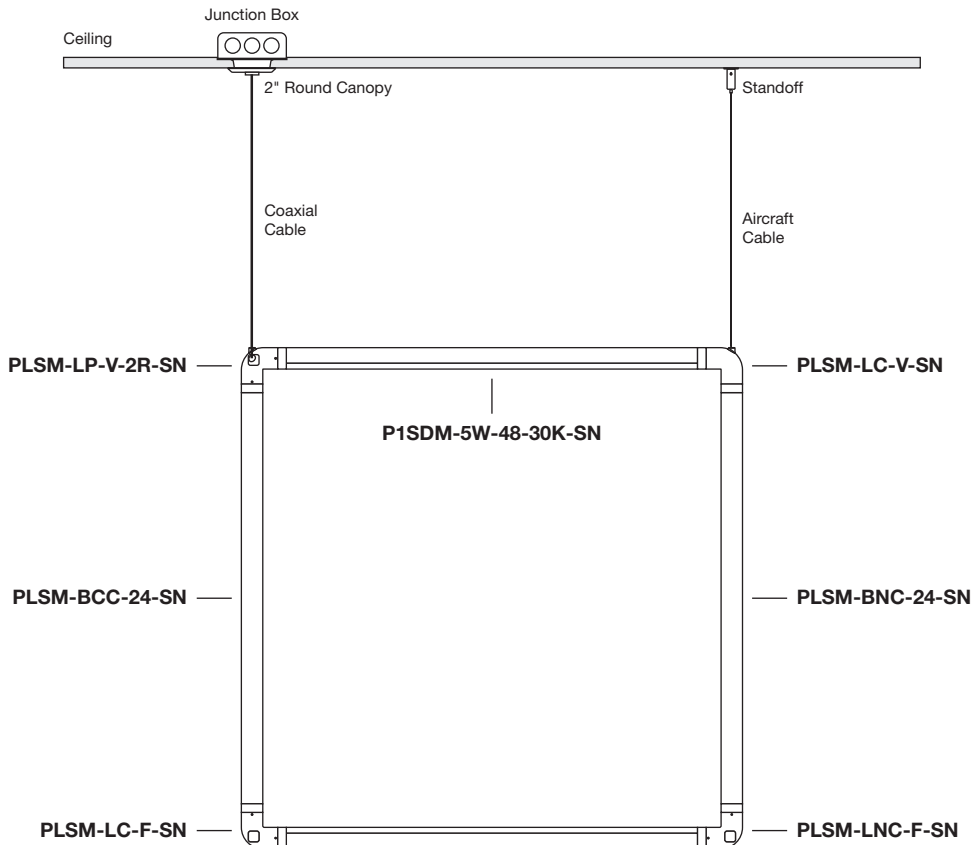
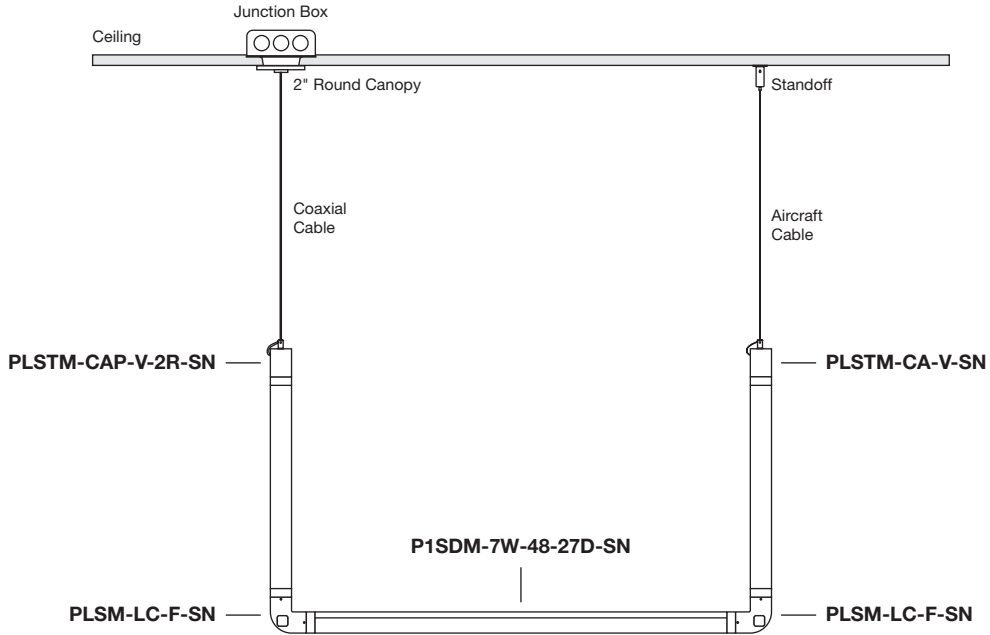


LC



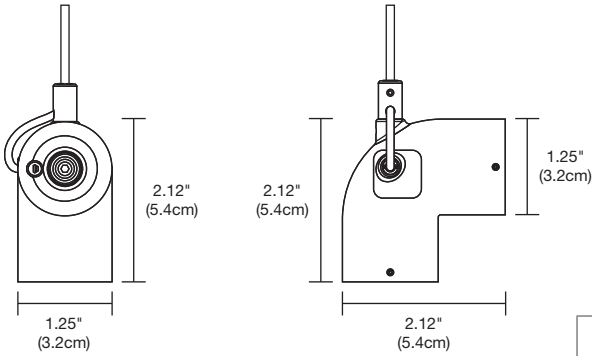
LNC

MODULAR CONFIGURATIONS Use the Flexible Connectors to design any flexible Modular formation



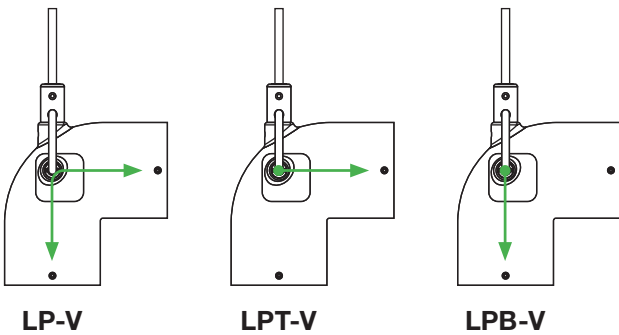
PROJECT		FIXTURE TYPE		DATE	
---------	--	--------------	--	------	--

COMPONENTS L-Shaped Connectors

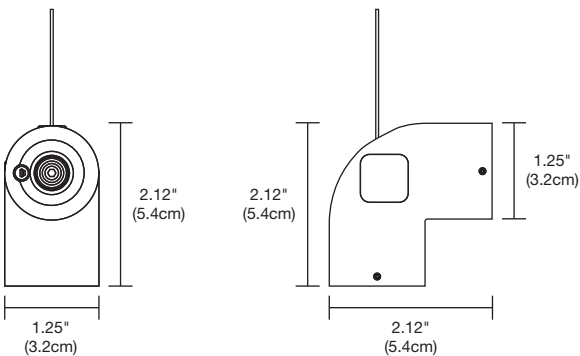


L-SHAPED POWER VERTICAL CONNECTOR

L-Shaped Power Vertical Connector joins two sections of Pipeline 1 Suspension Modular Channel at 90° apart and provides 24VDC power from a Remote or Surface Mount Power Supply up to 100 watts before re-feeding. For powering two channels use ordering code "LP-V" for feeding the power to the top channel only use ordering code "LPT-V" for bottom channel only use ordering code "LPB-V". For a Remote Power Supply choose a 2" or 4" Round Canopy, for Surface Mount Power Supply and no Canopy use ordering code "EZ" (Coaxial Cable End Zero). Includes 12' of Coaxial Power Cable, which easily adjusts at Canopy with a Push-In Grip Jack Connector.

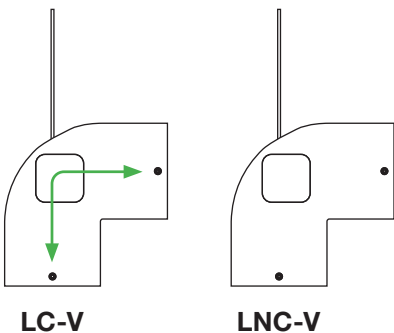


System	Type	Canopy	Finish
PLSM	LP-V	2R	BK
PLSM Pipeline Suspension Modular Downlight	LP-V L-Shaped Power Vertical Connector, Conductive on 2 Sections LPT-V L-Shaped Power Vertical Connector, Conductive on Top Section LPB-V L-Shaped Power Vertical Connector, Conductive on Bottom Section	2R 2.8" Round Canopy 4R 4.6" Round Canopy EZ No Canopy, for use with Surface Mount Power Supply, p. 45 VR Vanishing Point with No Canopy, only see cable going through drywall ceiling	BK Black WH White SN Satin Nickel CH Chrome XX Custom* *RAL/_ Specify RAL Powder Coat Code (ex: #RAL/9007) Additional finishes are available with an extended lead time. Custom quotation is required prior to ordering.



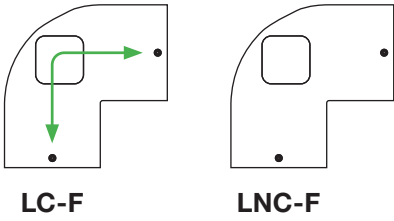
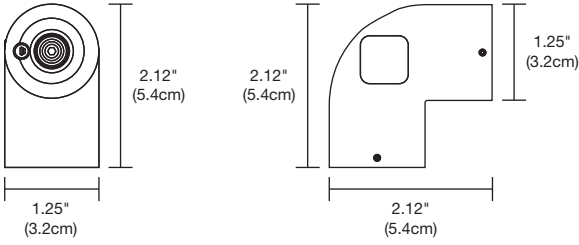
L-SHAPED VERTICAL CONNECTOR

L-Shaped Vertical Connector joins two sections of Pipeline 1 Suspension Modular at 90° apart, conducting the power (LC) or isolating the power (LNC). Includes 12' of Aircraft Cable, which easily adjusts at a Push-In type connector.



System	Type	Finish
PLSM	LC-V	BK
PLSM Pipeline Suspension Modular Downlight	LC-V L-Shaped Conductive Vertical Connector LNC-V L-Shaped Non-Conductive Vertical Connector	BK Black WH White SN Satin Nickel CH Chrome XX Custom* *RAL/_ Specify RAL Powder Coat Code (ex: #RAL/9007) Additional finishes are available with an extended lead time. Custom quotation is required prior to ordering.

COMPONENTS L-Shaped Connectors



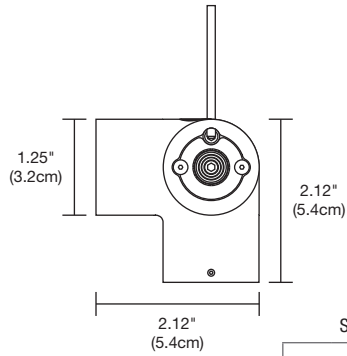
L-SHAPED FLOAT CONNECTOR

L-Shaped Vertical Connector joins two sections of Pipeline 1 Suspension at 90° angle, conducting the power (**LC**) or isolating the power (**LNC**). Does not come with suspension cables.

System	Type	Finish
PLSM	LC-F	BK
PLSM Pipeline Suspension Modular Downlight	LC-F L-Shaped Conductive Vertical Float Connector LNC-F L-Shaped Non-Conductive Float Connector	BK Black WH White SN Satin Nickel CH Chrome XX Custom* *RAL/____ Specify RAL Powder Coat Code (ex: #RAL/9007) Additional finishes are available with an extended lead time. Custom quotation is required prior to ordering.

PROJECT		FIXTURE TYPE		DATE	
---------	--	--------------	--	------	--

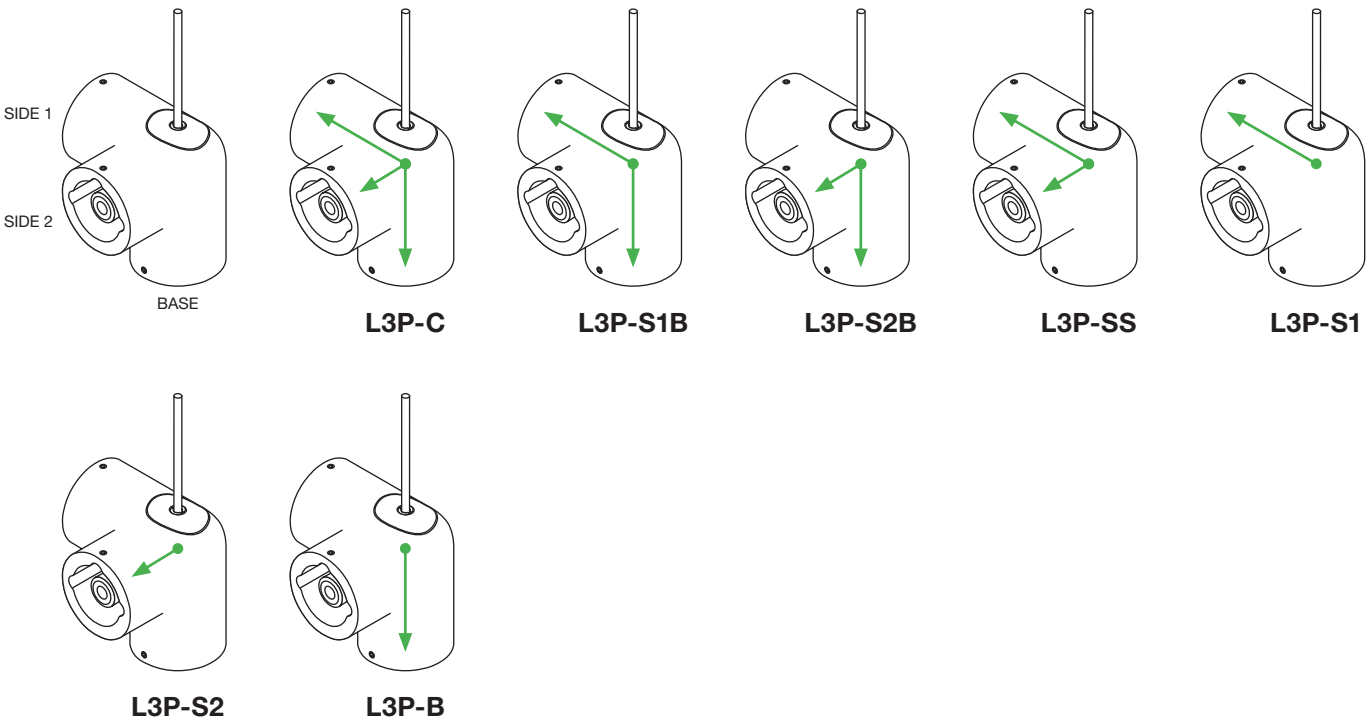
COMPONENTS L-Shaped Connectors



L3 VERTICAL/HORIZONTAL CONNECTOR WITH POWER, 2" OR 4" ROUND CANOPY WITH 12' ADJUSTABLE COAXIAL CABLE

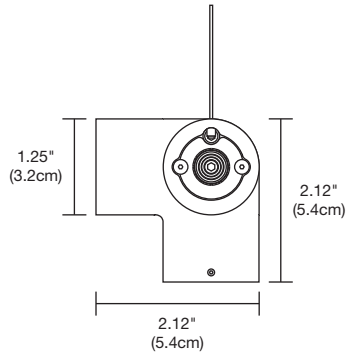
L3P Powered Connector joins 3 sections of Pipeline 1 both horizontally and vertically at the same time from two sides and a base and provides 24VDC power from a Remote Power Supply up to 100 watts before re-feeding. Power can be conducted in all directions (**C**), on Side 1 and base (**S1B**), Side 2 and base (**S2B**), Side 1 and Side 2 only (**SS**), Side 1 only (**S1**), Side 2 only (**S2**), or Base only (**B**). Includes a 2.8" round (**2R**), or 4.6" round Canopy (**4R**), or when using a Surface Mount Transformer or no Canopy use Easy End Feed (**EZ**), or Vanishing Point (**VR**), no canopy remote power feed, only see cable going through drywall ceiling.

System	Type	Fixture	Suspension Type	Canopy	Finish
PLSM	L3P	C	VH	4R	BK
PLSM Pipeline Suspension Modular Downlight	L3P 3 Leg Float Connector with Power	C Conductive All 3 sides S1B Conductive Side 1 and Base S2B Conductive Side 2 and Base SS Conductive Side 1 and 2 S1 Conductive Side 1 Only S2 Conductive Side 2 Only B Conductive Base only	VH Vertical/Horizontal	2R 2.8" Round Canopy 4R 4.6" Round Canopy EZ No Canopy, for use with Surface Mount Power Supply, p. 45 VR Vanishing Point with No Canopy, only see cable going through drywall ceiling	BK Black Additional finishes are available with an extended lead time. Custom quotation is required prior to ordering.



PROJECT	FIXTURE TYPE	DATE
---------	--------------	------

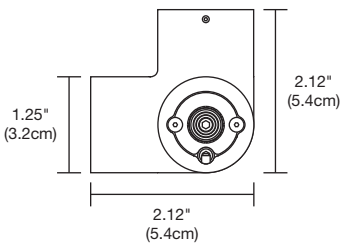
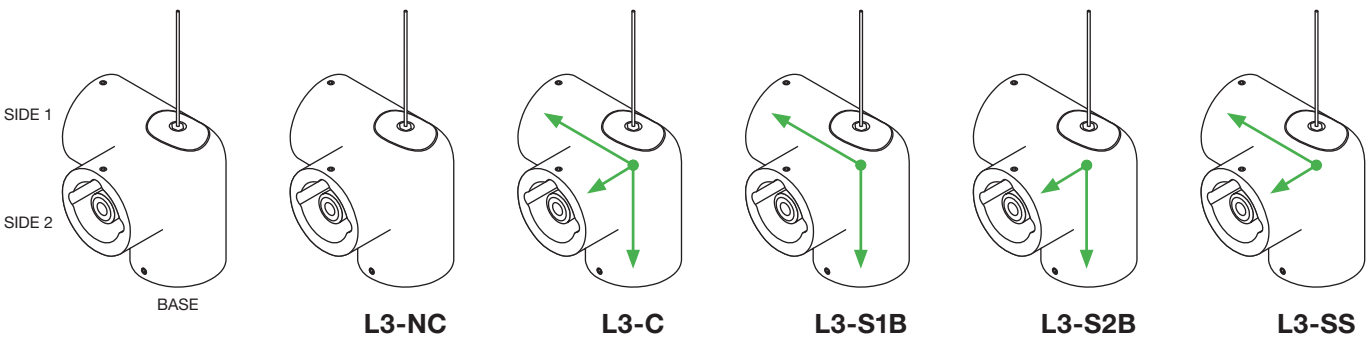
COMPONENTS L3 Connectors



L3 VERTICAL/HORIZONTAL CONNECTOR, NO POWER WITH 12' ADJUSTABLE COAXIAL CABLE

L3 Connector joins 3 sections of Pipeline 1 both horizontally and vertically at the same time from two sides and a base. Power can be conducted in all directions (**C**), on Side 1 and base (**S1B**), Side 2 and base (**S2B**), Side 1 and Side 2 only (**SS**), or non conductive (**NC**).

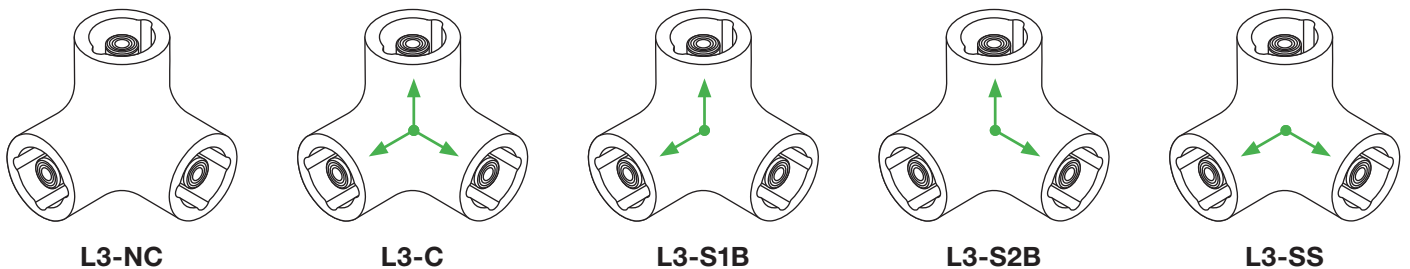
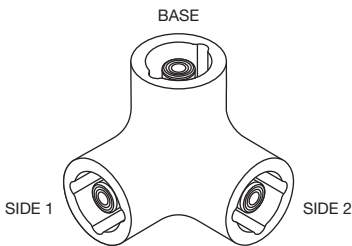
System	Type	Fixture	Suspension Type	Finish
PLSM	L3	C	VH	BK
PLSM Pipeline Suspension Modular Downlight	L3 3 Leg Float Connector	NC Non-Conductive Connector C Conductive All 3 sides S1B Conductive Side 1 and Base S2B Conductive Side 2 and Base SS Conductive Side 1 and 2	VH Vertical/Horizontal	BK Black Additional finishes are available with an extended lead time. Custom quotation is required prior to ordering.



L3 FLOAT CONNECTOR

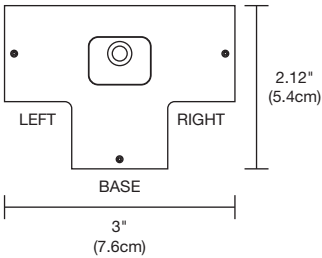
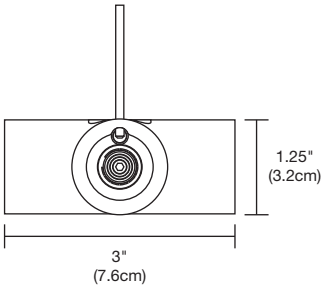
L3-Shaped Float Connector joins 3 sections of Pipeline 1 Suspension Modular Downlight at 90° apart. It isolates the power of each section (**L3-NC-F**); or electrically conducts the power to section(s): all sections (**L3-C-F**), base to left section (**L3-S1B-F**), base to right section (**L3-S2B-F**) or straight from left to right section (**L3-SS-F**). Does not come with suspension cables.

System	Type	Fixture	Suspension Type	Finish
PLSM	L3	C	F	BK
PLSM Pipeline Suspension Modular Downlight	L3 3 Leg Float Connector	NC Non-Conductive Connector C Conductive All 3 sides S1B Conductive Side 1 and Base S2B Conductive Side 2 and Base SS Conductive Side 1 and 2	F Float	BK Black Additional finishes are available with an extended lead time. Custom quotation is required prior to ordering.



PROJECT	FIXTURE TYPE	DATE
---------	--------------	------

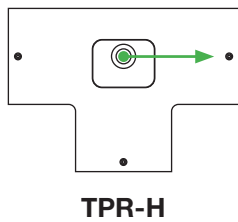
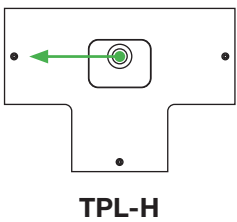
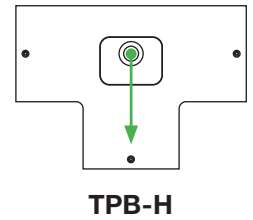
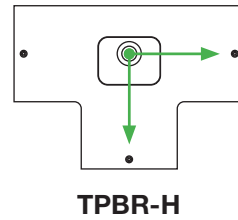
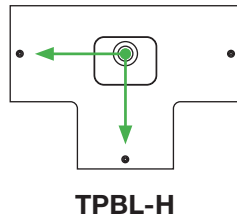
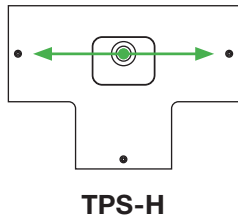
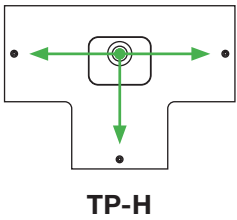
COMPONENTS T-Shaped Connectors



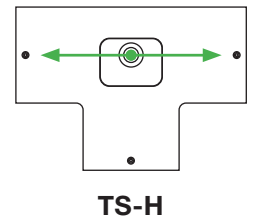
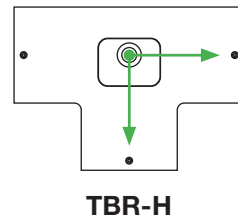
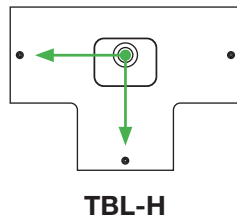
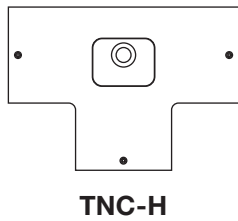
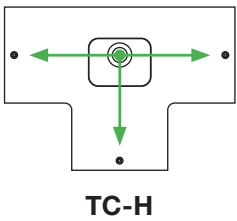
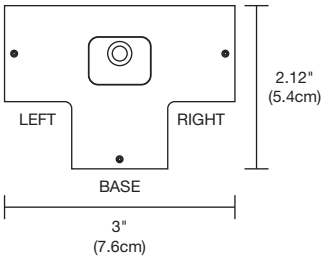
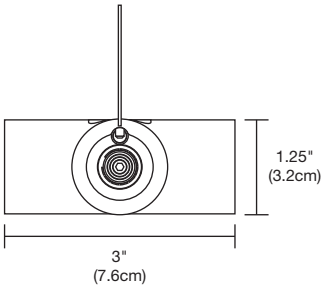
T-SHAPED POWER HORIZONTAL CONNECTOR

T-Shaped Power Horizontal Connector joins three sections of Pipeline 1 Suspension Modular Channels at 90° apart and provides 24VDC power from a Remote or Surface Mount Power Supply up to 100 watts before re-feeding. For powering three channels use ordering code **"TP-H"** for feeding the power straight only (Left to right) use code **"TPS-H"** for base to left use **"TPBL-H"**, for base to right **"TPBR-H"**, for base only **"TPB-H"**, left only **"TPL-H"** or right only **"TPR-H"**. For a Remote Power Supply choose a 2" or 4" Round Canopy, for Surface Mount Power Supply and no Canopy use ordering code **"EZ"** (Coaxial Cable End Zero). Includes 12' of Coaxial Power Cable, which easily adjusts at Canopy with a Push-In Grip Jack Connector.

System	Type	Canopy	Finish
PLSM	TP-H	2R	BK
PLSM Pipeline Suspension Modular Downlight	TP-H T-Shaped Power Horizontal Connector, Conductive on 3 Sections TPS-H T-Shaped Connector, Conductive through Left & Right Sections TPBL-H T-Shaped Power Connector, Conductive on Base & Left Sections TPBR-H T-Shaped Power Horizontal Connector, Conductive on Base & Right Sections TPB-H T-Shaped Power Connector, Conductive on Base TPL-H T-Shaped Power Connector, Conductive on Left Sections TPR-H T-Shaped Power Horizontal Connector, Conductive on Right Side	2R 2.8" Round Canopy 4R 4.6" Round Canopy EZ No Canopy, for use with Surface Mount Power Supply, p. 45 VR Vanishing Point with No Canopy, only see cable going through drywall ceiling	BK Black WH White SN Satin Nickel CH Chrome XX Custom* *RAL/___ Specify RAL Powder Coat Code (ex: #RAL/9007) Additional finishes are available with an extended lead time. Custom quotation is required prior to ordering.



COMPONENTS T-Shaped Connectors



T-SHAPED HORIZONTAL CONNECTOR

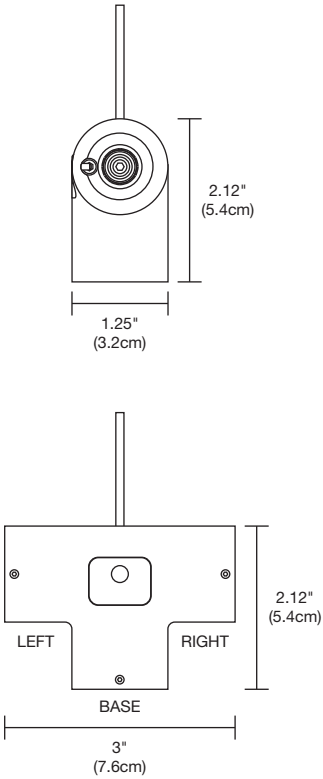
T-Shaped Connector joins three sections of Pipeline 1 Suspension Modular Downlight at 90° apart. It isolates the power of each section (**TNC**); or electrically conducts the power to section(s): all sections (**TC**), base to left section (**TBL**), base to right section (**TBR**) or straight from left to right section (**TS**). Includes 12' of Aircraft Cable, which easily adjusts at the ceiling with a Push-In type connector.

System	Type	Finish
PLSM	TC-H	BK
PLSM Pipeline Suspension Modular Downlight	TC-H T-Shaped Horizontal Conductive Connector TNC-H T-Shaped Non-Conductive Connector TBL-H T-Shaped Connector, Conductive on Base & Left Sections TBR-H T-Shaped Connector, Conductive on Base & Right Sections TS-H T-Shaped Horizontal Connector, Conductive Straight through Left & Right Sections	BK Black WH White SN Satin Nickel CH Chrome XX Custom* *RAL/_ Specify RAL Powder Coat Code (ex: #RAL/9007) Additional finishes are available with an extended lead time. Custom quotation is required prior to ordering.

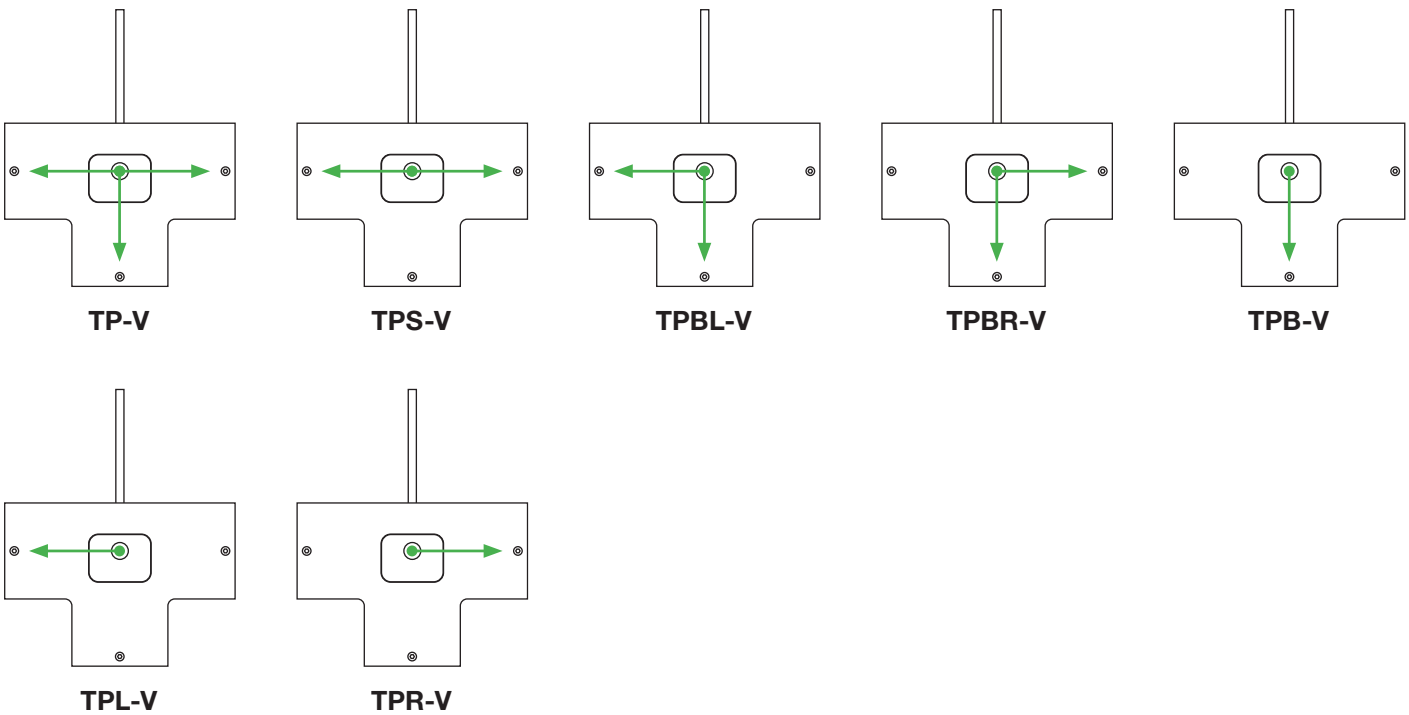
COMPONENTS T-Shaped Connectors

T-SHAPED POWER VERTICAL CONNECTOR

T-Shaped Power Vertical Connector joins three sections of Pipeline 1 Suspension Modular Channels at 90° apart and provides 24VDC power from a Remote or Surface Mount Power Supply up to 100 watts before re-feeding. For powering three channels use ordering code "TP-V" for feeding the power straight only (Left to right) use code "TPS-V" for base to left use "TPBL-V", for base to right "TPBR-V", for base only "TPB-V", left only "TPL-V" or right only "TPR-V". For a Remote Power Supply choose a 2" or 4" Round Canopy, for Surface Mount Power Supply and no Canopy use ordering code "EZ" (Coaxial Cable End Zero). Includes 12' of Coaxial Power Cable, which easily adjusts at Canopy with a Push-In Grip Jack Connector.

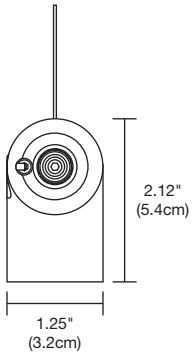


System	Type	Canopy	Finish
PLSM	TP-V	2R	BK
PLSM Pipeline Suspension Modular Downlight	TP-V T-Shaped Power Vertical Connector, Conductive on 3 Sections TPS-V T-Shaped Connector, Conductive through Left & Right Sections TPBL-V T-Shaped Power Connector, Conductive on Base & Left Sections TPBR-V T-Shaped Power Vertical Connector, Conductive on Base & Right Sections TPB-V T-Shaped Power Connector, Conductive on Base TPL-V T-Shaped Power Connector, Conductive on Left Sections TPR-V T-Shaped Power Vertical Connector, Conductive on Right Side	2R 2.8" Round Canopy 4R 4.6" Round Canopy EZ No Canopy, for use with Surface Mount Power Supply, p. 45 VR Vanishing Point with No Canopy, only see cable going through drywall ceiling	BK Black WH White SN Satin Nickel CH Chrome XX Custom*
			*RAL/_ Specify RAL Powder Coat Code (ex: #RAL/9007) Additional finishes are available with an extended lead time. Custom quotation is required prior to ordering.



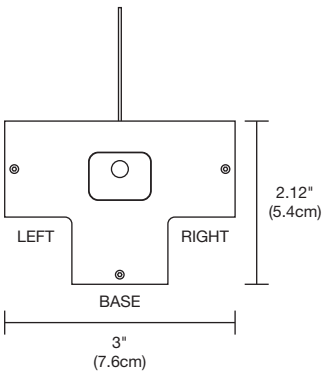
PROJECT	FIXTURE TYPE	DATE
---------	--------------	------

COMPONENTS T-Shaped Connectors



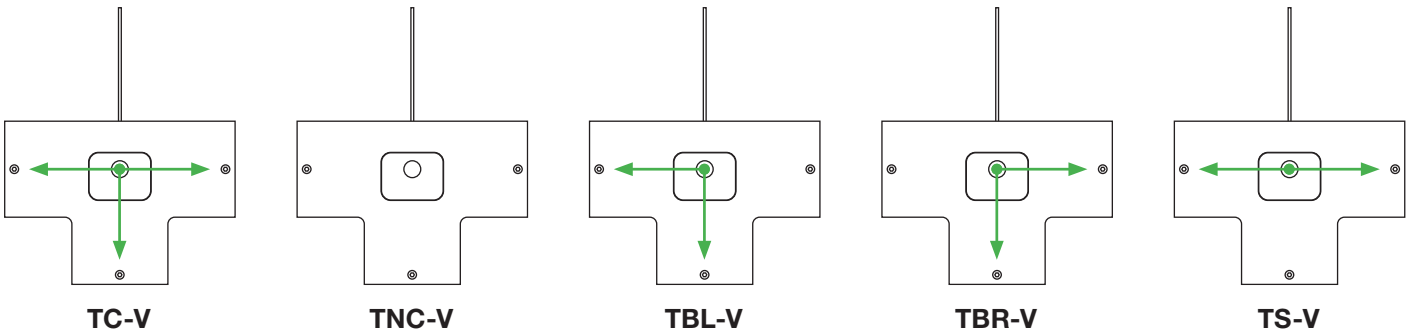
T-SHAPED VERTICAL CONNECTOR

T-Shaped Connector joins three sections of Pipeline 1 Suspension Modular Downlight at 90° apart in a vertical position. It isolates the power of each section (**TNC**); or electrically conducts the power to section(s): all sections (**TC**), base to left section (**TBL**), base to right section (**TBR**) or straight from left to right section (**TS**). Includes 12' of Aircraft Cable, which easily adjusts at the ceiling with a Push-In type connector.

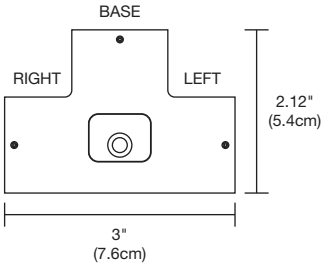
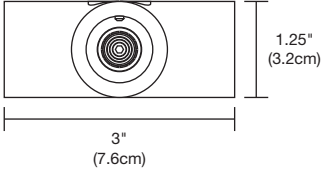


System	Type	Finish
PLSM	TC-V	BK
PLSM Pipeline Suspension Modular Downlight	TC-V T-Shaped Vertical Conductive Connector	BK Black
	TNC-V T-Shaped Non-Conductive Vertical Connector	WH White
	TBL-V T-Shaped Vertical Connector, Conductive on Base & Left Sections	SN Satin Nickel
	TBR-V T-Shaped Vertical Connector, Conductive on Base & Right Sections	CH Chrome
	TS-V T-Shaped Vertical Connector, Conductive Straight through Left & Right Sections	XX Custom*

*RAL/___
Specify RAL Powder Coat Code (ex: #RAL/9007)
Additional finishes are available with an extended lead time. Custom quotation is required prior to ordering.



COMPONENTS T-Shaped Connectors



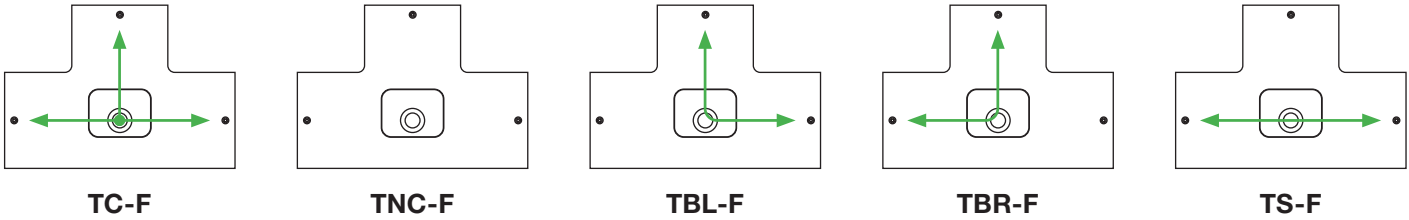
T-SHAPED VERTICAL FLOAT CONNECTOR

T-Shaped Float Connector joins three sections of Pipeline 1 Suspension Modular Downlight at 90° apart at vertical position. It isolates the power of each section (**TNC**); or electrically conducts the power to section(s): all sections (**TC**), base to left section (**TBL**), base to right section (**TBR**) or straight from left to right section (**TS**).

System	Type	Finish
PLSM	TC-F	BK

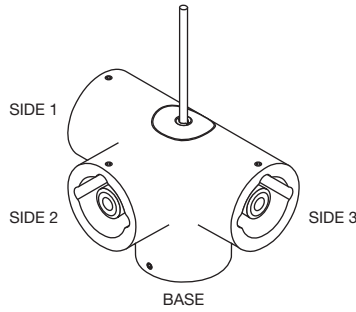
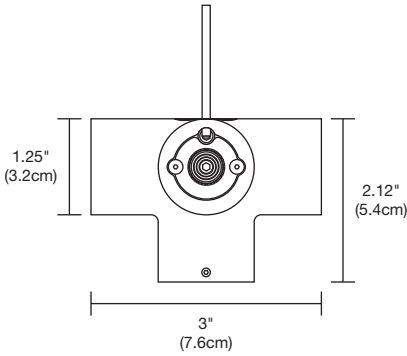
- PLSM** Pipeline Suspension Modular Downlight
- TC-F** T-Shaped Float Conductive Connector
- TNC-F** T-Shaped Non-Conductive Float Connector
- TBL-F** T-Shaped Float Connector, Conductive on Base & Left Sections
- TBR-F** T-Shaped Float Connector, Conductive on Base & Right Sections
- TS-F** T-Shaped Float Connector, Conductive Straight through Left & Right Sections
- BK** Black
- WH** White
- SN** Satin Nickel
- CH** Chrome
- XX** Custom*

*RAL/___
Specify RAL Powder Coat Code (ex: #RAL/9007)
Additional finishes are available with an extended lead time. Custom quotation is required prior to ordering.



PROJECT	FIXTURE TYPE	DATE
---------	--------------	------

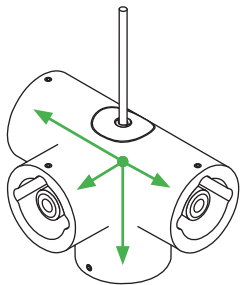
COMPONENTS T-Shaped Connectors



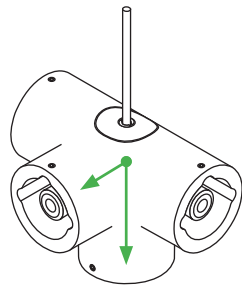
T4 VERTICAL CONNECTOR WITH POWER, 12' ADJUSTABLE COAXIAL CABLE, WITH 2" OR 4" ROUND CANOPY

T4P Powered Connector joins 4 sections of Pipeline 1 both horizontally and vertically at the same time from three sides and a base and provides 24VDC power from a Remote Power Supply up to 100 watts before re-feeding. Power can be conducted in all directions (C), on Side 2 and base (S2B), Side 2 and 3 and Base (S2BS3), Side 1 and 2 and Base (S1S2B), Side 1 and base (S1B), Base and Side 3 (BS3), Side 1 and Side 2 only (S1S2), Side 2 and Side 3 only (S2S3), Side 1 and Side 3 only (S1S3), Side 1, Base and Side 3 (S1BS3) or Sides 1, 2, or 3 (S1, S2, or S3) Includes a 2.8" round (2R), or 4.6" round Canopy (4R), or when using a Surface Mount Transformer or no Canopy use Easy End Feed (EZ), or Vanishing Point (VR), no canopy remote power feed, only see cable going through drywall ceiling.

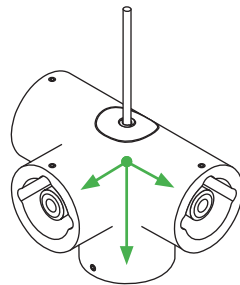
System	Type	Fixture	Suspension Type	Canopy	Finish
PLSM Pipeline Suspension Modular Downlight	T4P 4-Leg Vertical/Horizontal Connector with Power	C Conductive All 3 sides S2B Conductive Side 2 and Base S2BS3 Conductive Side 2, Base and Side 3 S1S2B Conductive Side 1, Side 2, and Base S1B Conductive Side 1 and Base BS3 Conductive Base and Side 3 S1S2 Conductive Side 1 and Side 2 S2S3 Conductive Side 2 and Side 3 S1S3 Conductive Side 1 and Side 3 S1BS3 Conductive Side 1, Base and Side 3 S1S2S3 Conductive Sides 1, 2, and 3 S1 Conductive Side 1 S2 Conductive Side 2 S3 Conductive Side 3 B Conductive Base	VH Vertical/Horizontal	4R 2R 2.8" Round Canopy 4R 4.6" Round Canopy EZ No Canopy, for use with Surface Mount Power Supply, p. 45 VR Vanishing Point with No Canopy, only see cable going through drywall ceiling	BK Black Additional finishes are available with an extended lead time. Custom quotation is required prior to ordering.



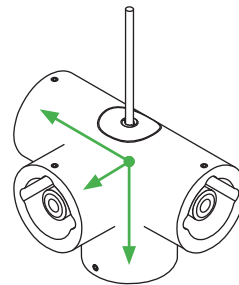
T4P-C



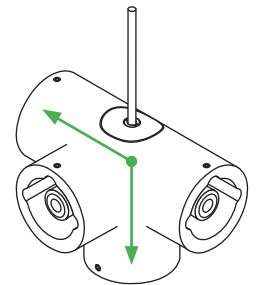
T4P-S2B



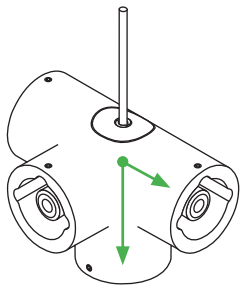
T4P-S2BS3



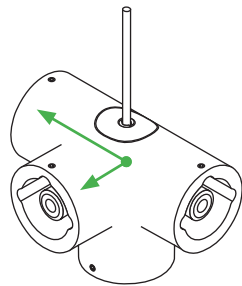
T4P-S1S2B



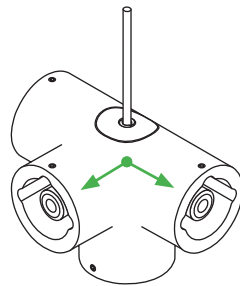
T4P-S1B



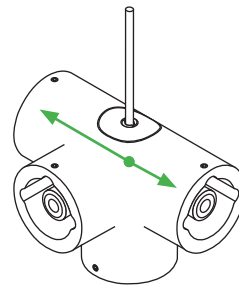
T4P-BS3



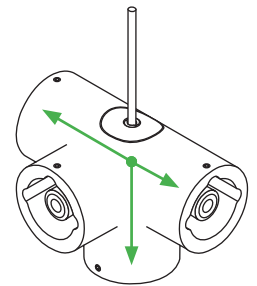
T4P-S1S2



T4P-S2S3



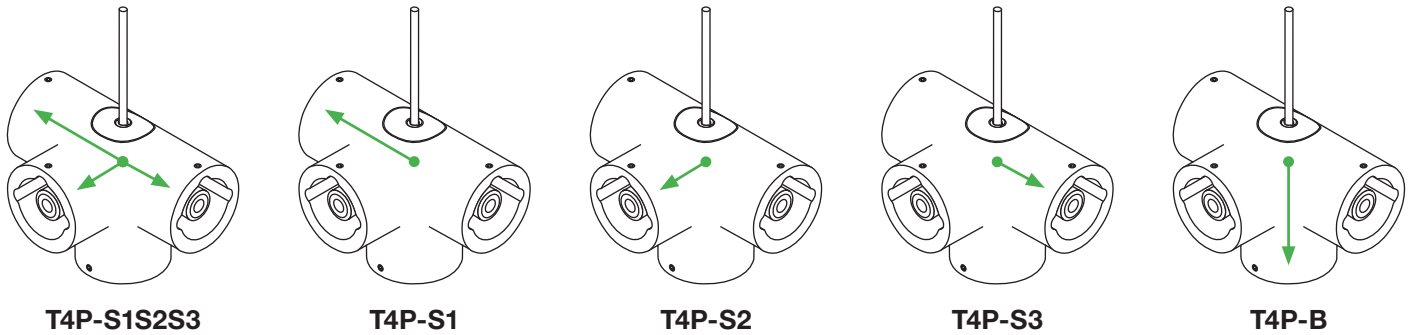
T4P-S1S3



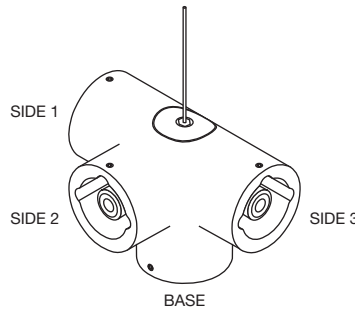
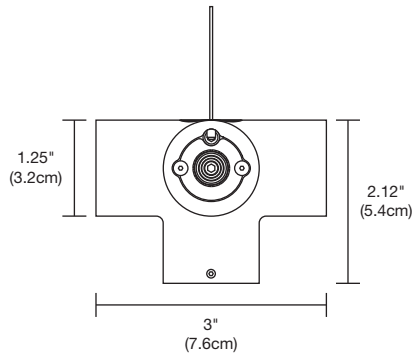
T4P-S1BS3

PROJECT		FIXTURE TYPE		DATE	
---------	--	--------------	--	------	--

COMPONENTS T4 Connector with Power Continued

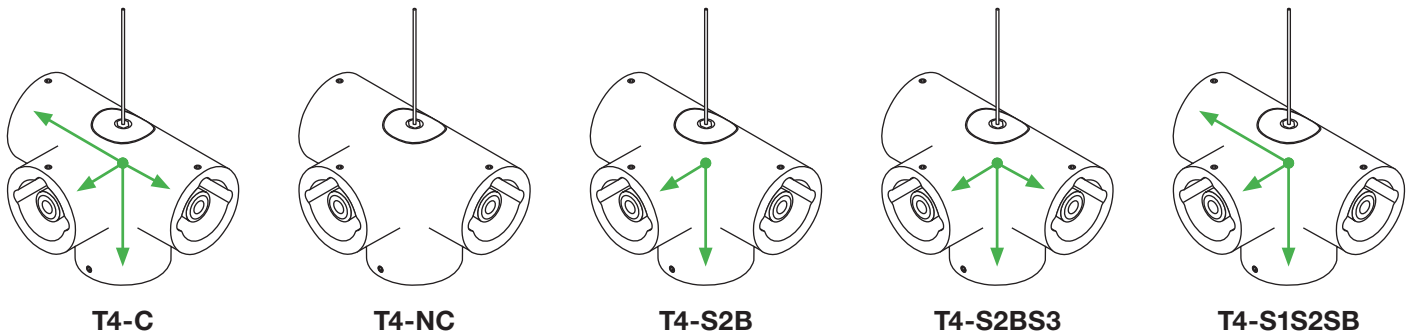


COMPONENTS T4 Connector No Power

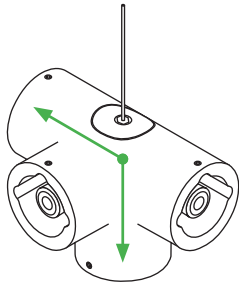


T-4 VERTICAL/HORIZONTAL CONNECTOR, NO POWER, 12' ADJUSTABLE COAXIAL CABLE
T4P Connector joins 4 sections of Pipeline 1 both horizontally and vertically at the same time from three sides and a base. Power can be conducted in all directions (C), on Side 2 and base (S2B), Side 2 and 3 and Base (S2BS3), Side 1 and 2 and Base (S1S2B), Side 1 and base (S1B), Base and Side 3 (BS3), Side 1 and Side 2 only (S1S2), Side 2 and Side 3 only (S2S3), Side 1 and Side 3 only (S1S3), Side 1, Base and Side 3 (S1BS3), Sides 1, 2, and 3 only (S1S2S3), or non conductive (NC).

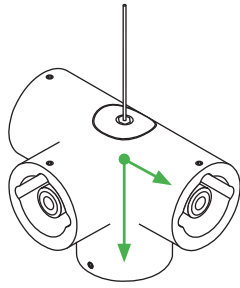
System	Type	Fixture	Suspension Type	Finish
PLSM	T4	C	VH	BK
PLSM Pipeline Suspension Modular Downlight	T4 4-Leg Vertical / Horizontal Connector	C Conductive All 3 sides NC Non-Conductive S2B Conductive Side 2 and Base S2BS3 Conductive Side 2, Base and Side 3 S1S2B Conductive Side 1, Side 2, and Base S1B Conductive Side 1 and Base BS3 Conductive Base and Side 3 S1S2 Conductive Side 1 and Side 2 S2S3 Conductive Side 2 and Side 3 S1S3 Conductive Side 1 and Side 3 S1BS3 Conductive Side 1, Base and Side 3 S1S2S3 Conductive Sides 1, 2, and 3	VH Vertical/Horizontal	BK Black Additional finishes are available with an extended lead time. Custom quotation is required prior to ordering.



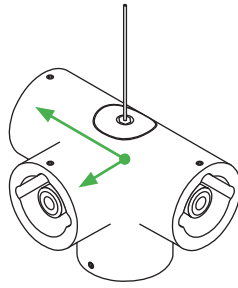
COMPONENTS T4 Connector with Power Continued



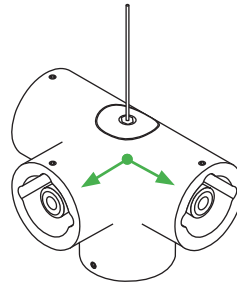
T4-S1B



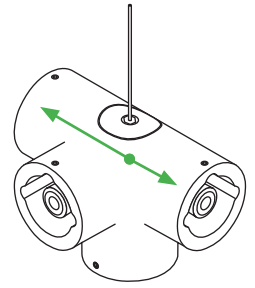
T4-BS3



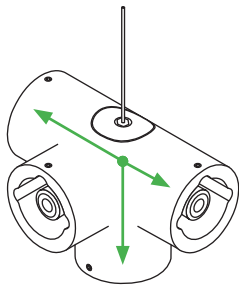
T4-S1S2



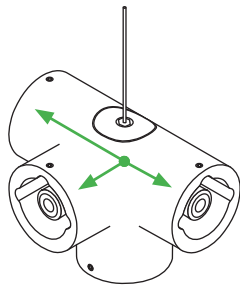
T4-S2S3



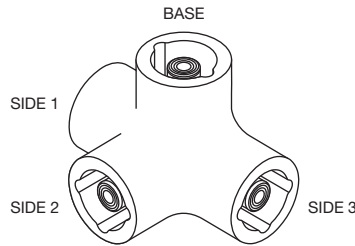
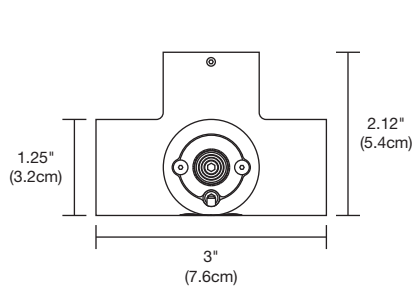
T4-S1S3



T4-S1BS3



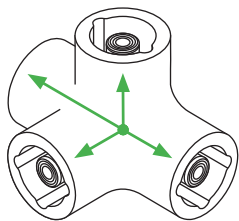
T4-S1S2S3



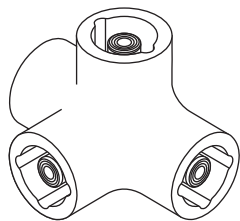
T4 FLOAT CONNECTOR

T4-Shaped Float Connector joins 4 sections of Pipeline 1 Suspension Modular Down-light 90° apart. Power can be conducted in all directions (**C**), on Side 2 and base (**S2B**), Side 2 and 3 and Base (**S2BS3**), Side 1 and 2 and Base (**S1S2B**), Side 1 and base (**S1B**), Base and Side 3 (**BS3**), Side 1 and Side 2 only (**S1S2**), Side 2 and Side 3 only (**S2S3**), Side 1 and Side 3 only (**S1S3**), Side 1, Base and Side 3 (**S1BS3**), Sides 1, 2, and 3 only (**S1S2S3**), or non conductive (**NC**).

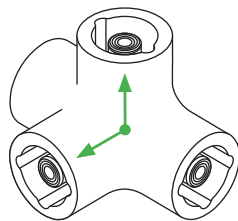
System	Type	Fixture	Suspension Type	Finish
PLSM	T4	C	F	BK
PLSM Pipeline Suspension Modular Downlight	T4 4-Leg Vertical/Horizontal Connector with Power	C Conductive All 4 Sides NC Non-Conductive S2B Conductive Side 2 and Base S2S3B Conductive Side 2, Side 3, and Base S1S2B Conductive Side 1, Side 2, and Base S1B Conductive Side 1 and Base S3B Conductive Side 3 and Base S1S2 Conductive Side 1 and Side 2 S2S3 Conductive Side 2 and Side 3 S1S3 Conductive Side 1 and Side 3 S1BS3 Conductive Side 1, Side 3, and Base S1S2S3 Conductive Side 1, Side 2, and Side 3	F Float	BK Black Additional finishes are available with an extended lead time. Custom quotation is required prior to ordering.



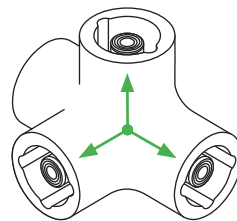
T4-C



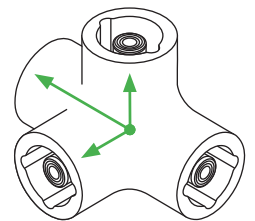
T4-NC



T4-S2B



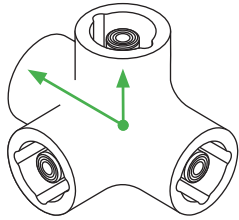
T4-S2S3B



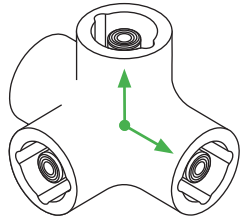
T4-S1S2B

PROJECT	FIXTURE TYPE	DATE
---------	--------------	------

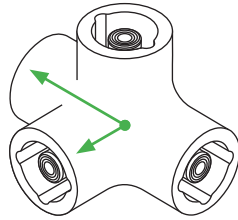
COMPONENTS T4 Float Connector Continued



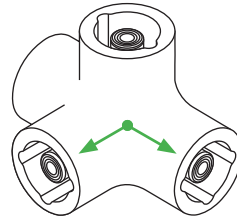
T4-S1B



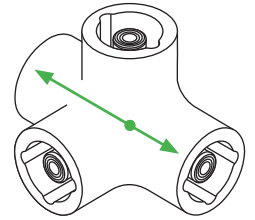
T4-S3B



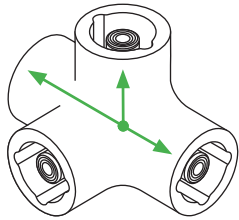
T4-S1S2



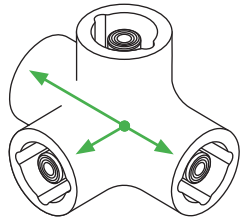
T4-S2S3



T4-S1S3

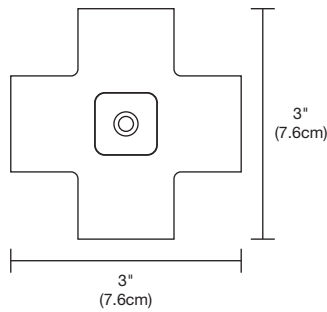
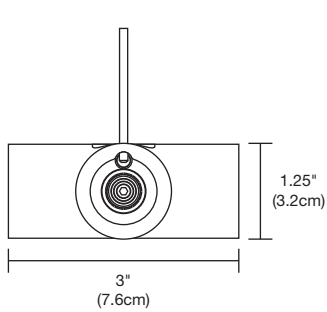


T4-S1S3B



T4-S1S2S3

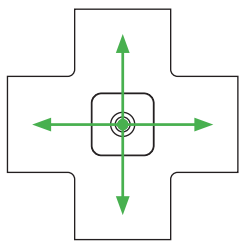
COMPONENTS X-Shaped Connectors



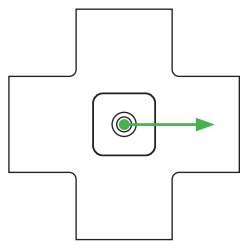
X-SHAPED POWER HORIZONTAL CONNECTOR

X-Shaped Power Connector joins four sections of Pipeline 1 Suspension Modular Channel at 90° apart and provides 24VDC power from a Remote or Surface Mount Power Supply up to 100 watts before re-feeding. For powering all four channels use ordering code "XP-H", for feeding the power to one section only use code "XP1-H", for straight through two sections "XPS-H", for two sections with 90° turn "XP90-H", for a T-Shaped section use code "XPT-H". For a Remote Power Supply choose a 2" or 4" Round Canopy, for Surface Mount Power Supply and no Canopy use ordering code "EZ" (Coaxial Cable End Zero). Includes 12' of Coaxial Power Cable, which easily adjusts at Canopy with a Push-In Grip Jack Connector.

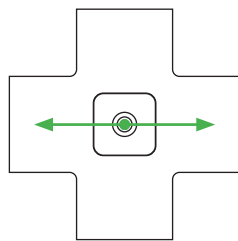
System	Type	Canopy	Finish
PLSM	XP-H	4R	BK
PLSM Pipeline Suspension Modular Downlight	XP-H X-Shaped Power Horizontal Connector, Conductive on 4 Sections XP1-H X-Shaped Power Connector, Conductive on 1 Section XPS-H X-Shaped Power Connector, Conductive Straight through 2 Sections XP90-H X-Shaped Power Horizontal Connector, Conductive on 2 Sections, 90° Turn XPT-H X-Shaped Power Connector, Conductive on 3 Sections	2R 2.8" Round Canopy 4R 4.6" Round Canopy EZ No Canopy, for use with Surface Mount Power Supply, p. 45 VR Vanishing Point with No Canopy, only see cable going through drywall ceiling	BK Black WH White SN Satin Nickel CH Chrome XX Custom* *RAL/___ Specify RAL Powder Coat Code (ex: #RAL/9007) Additional finishes are available with an extended lead time. Custom quotation is required prior to ordering.



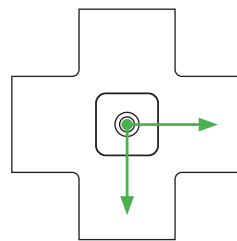
XP-H



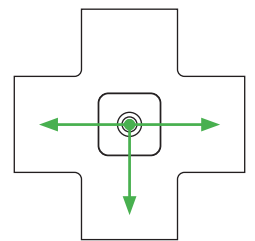
XP1-H



XPS-H



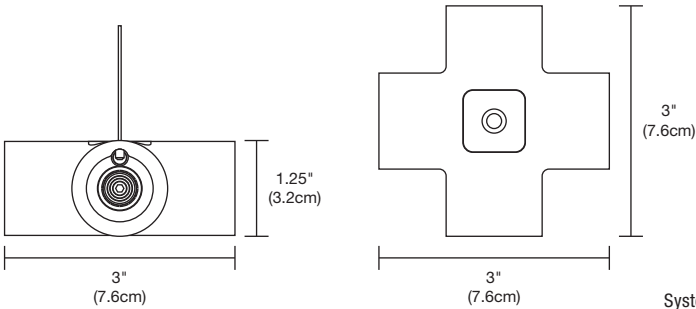
XP90-H



XPT-H

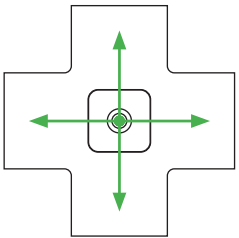
PROJECT	FIXTURE TYPE	DATE
---------	--------------	------

COMPONENTS X-Shaped Connectors

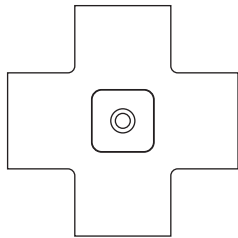


X-SHAPED HORIZONTAL CONNECTOR

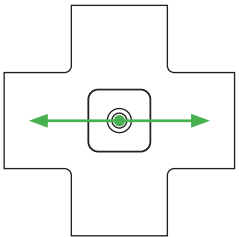
X-Shaped Connector joins four sections of Pipeline 1 Suspension Modular Downlight at 90° apart. It isolates the power of each section (**XNC**) or electrically conducts the power to section(s): all sections (**XC**), straight through two sections (**XS**), two sections with 90° turn (**X90**), four sections with two 90° turns (**X290**) or in a T-Shaped section (**XT**). Includes 12' of Aircraft Cable, which easily adjusts at Canopy with a Push-In type connector.



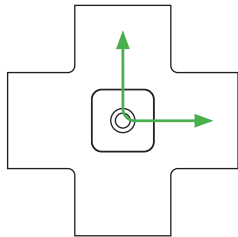
XC-H



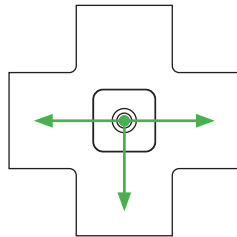
XNC-H



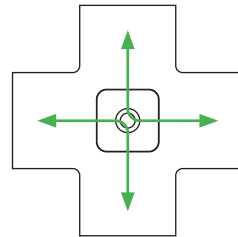
XS-H



X90-H



XT-H



X290-H

System	Type	Finish
PLSM	XP-H	BK

PLSM Pipeline Suspension Modular Downlight

- XC-H** X- Shaped Horizontal Conductive Connector
- XNC-H** X-Shaped Horizontal Non-Conductive Connector
- XS-H** X-Shaped Connector, Conductive Straight through 2 Sections
- X90-H** X-Shaped Connector, Conductive on 2 Sections, 90° Turn
- XT-H** X-Shaped Connector, Conductive on 3 Sections
- X290-H** X-Shaped Horizontal Connector, Conductive on 4 Sections, (2) 90° Turn

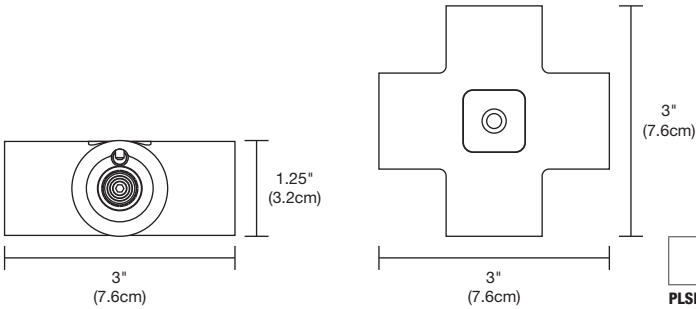
- BK** Black
- WH** White
- SN** Satin Nickel
- CH** Chrome
- XX** Custom*

*RAL/___
Specify RAL Powder Coat Code (ex: #RAL/9007)
Additional finishes are available with an extended lead time. Custom quotation is required prior to ordering.



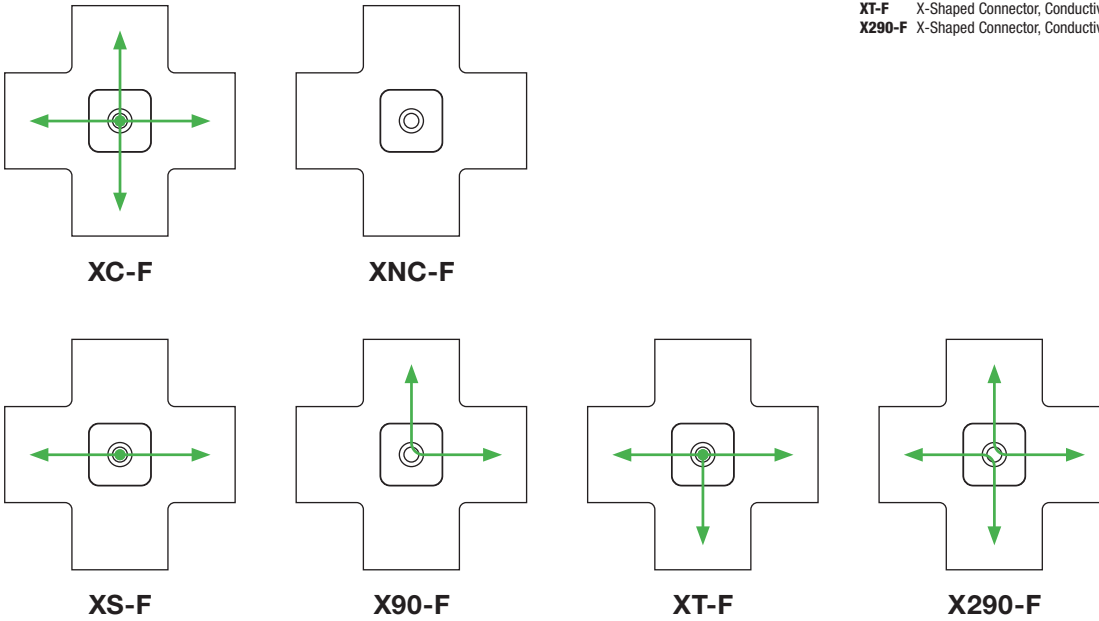
PROJECT	FIXTURE TYPE	DATE
---------	--------------	------

COMPONENTS X-Shaped Connectors



X-SHAPED FLOAT CONNECTOR

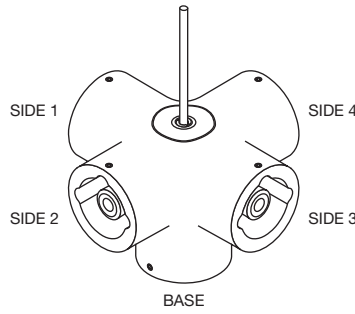
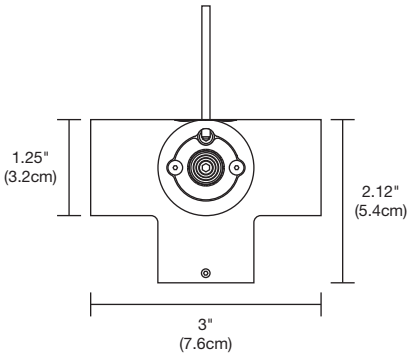
X-Shaped Float Connector joins four sections of Pipeline 1 Suspension Modular Downlight at 90° apart in vertical position. It isolates the power of each section (**XNC**) or electrically conducts the power to section(s): all sections (**XC**), straight through two sections (**XS**), two sections with 90° turn (**X90**), four sections with two 90° turns (**X290**) or in a T-Shaped section (**XT**) does not come with suspension cable.



System	Type	Finish
PLSM	XC-F	BK
PLSM Pipeline Suspension Modular Downlight	XC-F X- Shaped Float Conductive Connector XNC-F X-Shaped Float Non-Conductive Connector XS-F X-Shaped Connector, Conductive Straight through 2 Sections X90-F X-Shaped Connector, Conductive on 2 Sections, 90° Turn XT-F X-Shaped Connector, Conductive on 3 Sections X290-F X-Shaped Connector, Conductive on 4 Sections, (2) 90° Turn	BK Black WH White SN Satin Nickel CH Chrome XX Custom*

*RAL/___
Specify RAL Powder Coat Code (ex: #RAL/9007)
Additional finishes are available with an extended lead time. Custom quotation is required prior to ordering.

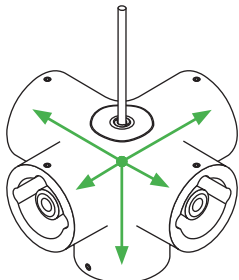
COMPONENTS X-Shaped Connectors



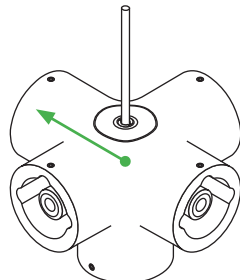
X5 VERTICAL / HORIZONTAL CONNECTOR WITH POWER, 12' ADJUSTABLE COAXIAL CABLE AND 2" OR 4" ROUND CANOPY

X5P Powered Connector joins 5 sections of Pipeline 1 both horizontally and vertically at the same time from four sides and a base and provides 24VDC power from a Remote Power Supply up to 100 watts before re-feeding. Power can be conducted in all directions (C), on Side 1 (S1), Side 1 and 2 (S1S2), Sides 1, 2 and 3 (S1S2S3), all 4 Sides (S1S2S3S4), Side 1 and Base (S1B), Sides 1, 2 and Base (S1S2B), Sides 1, 2 and 3 and Base (S1S2S3B), Sides 1,3 and Base (S1S3B), Sides 1 and 3 (S1S3). Includes a 2.8" round (2R), or 4.6" round Canopy (4R), or when using a Surface Mount Transformer or no Canopy use Easy End Feed (EZ), or Vanishing Point (VR), no canopy remote power feed, only see cable going through drywall ceiling.

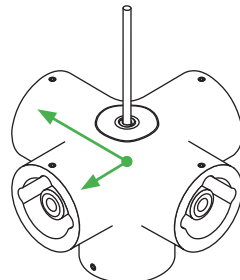
System	Type	Suspension Type	Canopy	Finish
PLSM	X5P-C	VH	4R	BK
PLSM Pipeline Suspension Modular Downlight	X5P-C X-Shaped Conductive Connector, Power X5P-S1 X-Shaped Connector, Conductive on Side 1, Power X5P-S1S2 X-Shaped Connector, Conductive on Side 1 and 2, Power X5P-S1S2S3 X-Shaped Connector, Conductive on Side 1, 2, and 3, Power X5P-S1S2S3S4 X-Shaped Connector, Conductive on 4 Sides, Power X5P-S1B X-Shaped Connector, Conductive on Side 1, and Base, Power X5P-S1S2B X-Shaped Connector, Conductive on Side 1, 2, and Base, Power X5P-S1S2S3B X-Shaped Connector, Conductive on Side 1, 2, 3, and Base, Power X5P-S1S3B X-Shaped Connector, Conductive on Side 1, 3, and Base, Power X5P-S1S3 X-Shaped Connector, Conductive on Side 1 and 3, Power	VH Vertical/Horizontal	2R 2.8" Round Canopy 4R 4.6" Round Canopy EZ No Canopy, for use with Surface Mount Power Supply, p. 45 VR Vanishing Point with No Canopy, only see cable going through drywall ceiling	BK Black XX Custom* *RAL/___ Specify RAL Powder Coat Code (ex: #RAL/9007) Additional finishes are available with an extended lead time. Custom quotation is required prior to ordering.



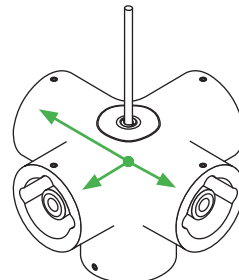
X5P-C



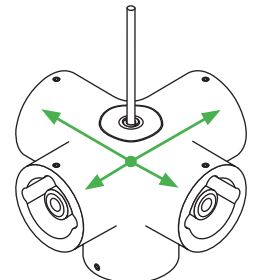
X5P-S1



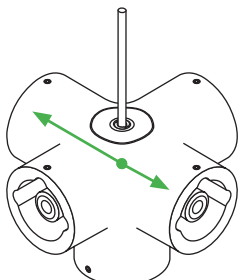
X5P-S1S2



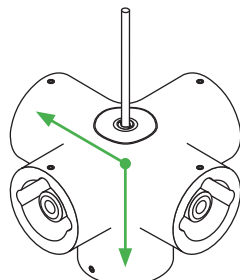
X5P-S1S2S3



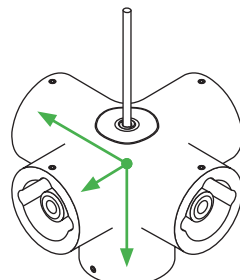
X5P-S1S2S3S4



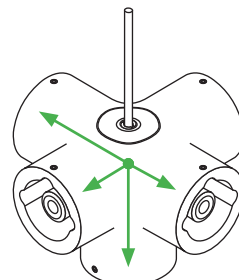
X5P-S1S3



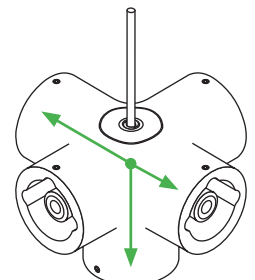
X5P-S1B



X5P-S1S2B

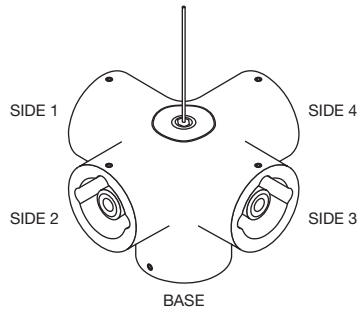
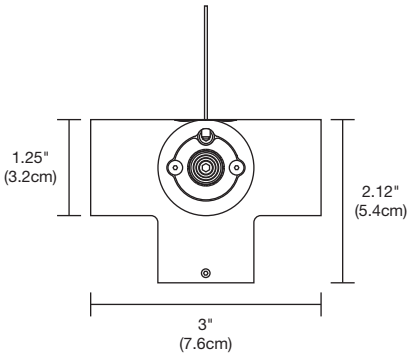


X5P-S1S2S3B



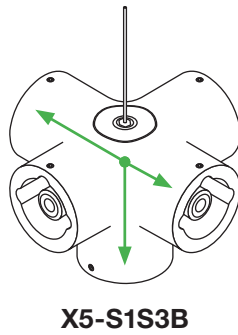
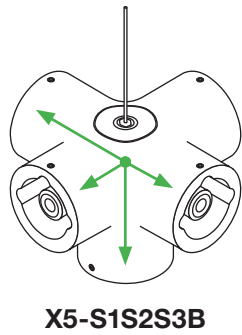
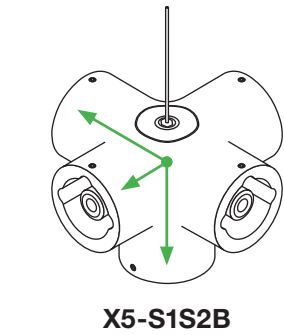
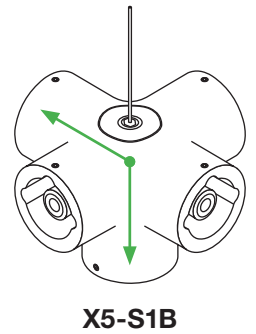
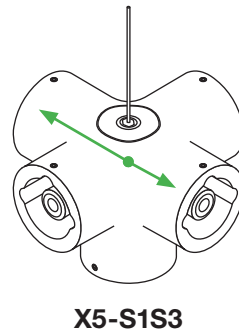
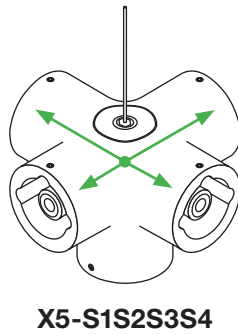
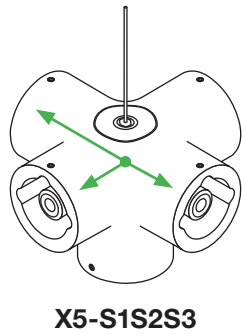
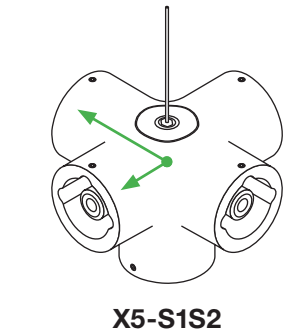
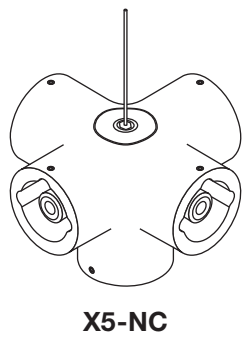
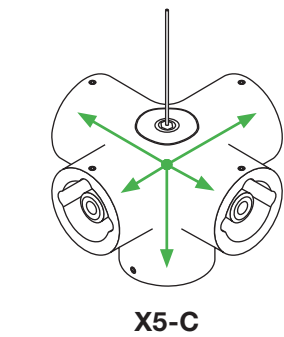
X5P-S1S3B

COMPONENTS X-Shaped Connectors



X5 VERTICAL / HORIZONTAL CONNECTOR, NO POWER, 12' ADJUSTABLE COAXIAL CABLE

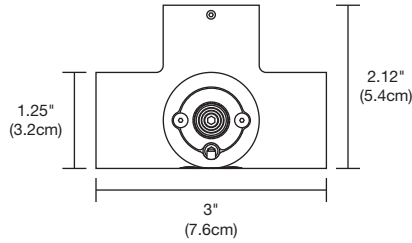
X5P Connector joins 5 sections of Pipeline 1 both horizontally and vertically at the same time from four sides and a base. Power can be conducted in all directions (C), Side 1 and 2 (S1S2), Sides 1, 2 and 3 (S1S2S3), all 4 Sides (S1S2S3S4), Side 1 and Base (S1B), Sides 1, 2 and Base (S1S2B), Sides 1, 2 and 3 and Base (S1S2S3B), Sides 1,3 and Base (S1S3B), Sides 1 and 3 (S1S3) or Non Conductive (NC).



System	Type	Finish
PLSM	X5P-C	BK
PLSM Pipeline Suspension Modular Downlight	X5-C X-Shaped Conductive Connector X5-NC X-Shaped Connector, Conductive on Side 1 X5-S1S2 X-Shaped Connector, Conductive on Side 1 and 2 X5-S1S2S3 X-Shaped Connector, Conductive on Side 1, 2, and 3 X5-S1S2S3S4 X-Shaped Connector, Conductive on 4 Sides X5-S1B X-Shaped Connector, Conductive on Side 1, and Base X5-S1S2B X-Shaped Connector, Conductive on Side 1, 2, and Base X5-S1S2S3B X-Shaped Connector, Conductive on Side 1, 2, 3, and Base X5-S1S3B X-Shaped Connector, Conductive on Side 1, 3, and Base X5-S1S3 X-Shaped Connector, Conductive on Side 1 and 3	BK Black XX Custom* *RAL/_ Specify RAL Powder Coat Code (ex: #RAL/9007) Additional finishes are available with an extended lead time. Custom quotation is required prior to ordering.

PROJECT	FIXTURE TYPE	DATE
---------	--------------	------

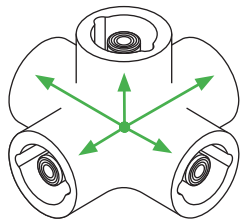
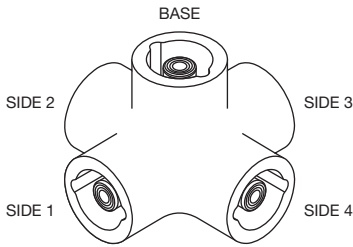
COMPONENTS X-Shaped Connectors



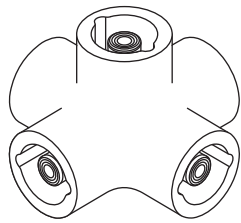
X5 FLOAT CONNECTOR

X5-Shaped Float Connector joins 4 sections of Pipeline 1 Suspension Modular Down-light at 90° apart. The X5-NC-F isolates the power of each section. X5-C-F electrically conducts the power to all sections.

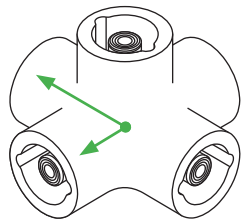
System	Type	Finish
PLSM	X5-C-F	BK
PLSM Pipeline Suspension Modular Downlight	X5-C-F X- Shaped Conductive Float Connector X5-NC-F X-Shaped Float Connector, Non-Conductive X5-S1S2-F X-Shaped Float Connector, Conductive on Side 1 and 2 X5-S1S2S3-F X-Shaped Float Connector, Conductive on Side 1, 2, and 3 X5-S1S2S3S4-F X-Shaped Float Connector, Conductive on 4 Sides X5-S1B-F X-Shaped Float Connector, Conductive on Side 1, and Base X5-S1S2B-F X-Shaped Float Connector, Conductive on Side 1, 2, and Base X5-S1S2S3B-F X-Shaped Float Connector, Conductive on Side 1, 2, 3, and Base X5-S1S3B-F X-Shaped Float Connector, Conductive on Side 1, 3, and Base X5-S1S3-F X-Shaped Float Connector, Conductive on Side 1 and 3	BK Black XX Custom* *RAL/_ Specify RAL Powder Coat Code (ex: #RAL/9007) Additional finishes are available with an extended lead time. Custom quotation is required prior to ordering.



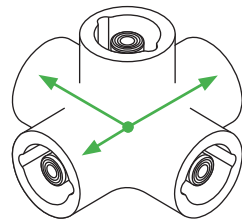
X5-C



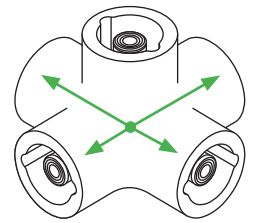
X5-NC



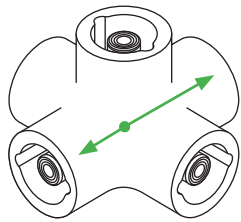
X5-S1S2



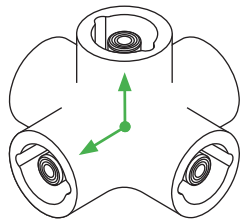
X5-S1S2S3



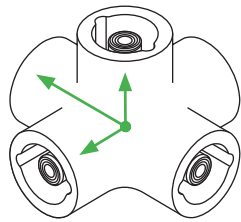
X5-S1S2S3S4



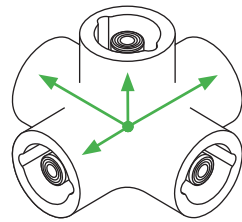
X5-S1S3



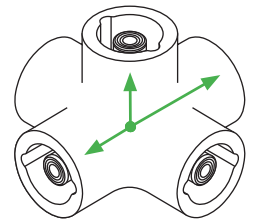
X5-S1B



X5-S1S2B



X5-S1S2S3B

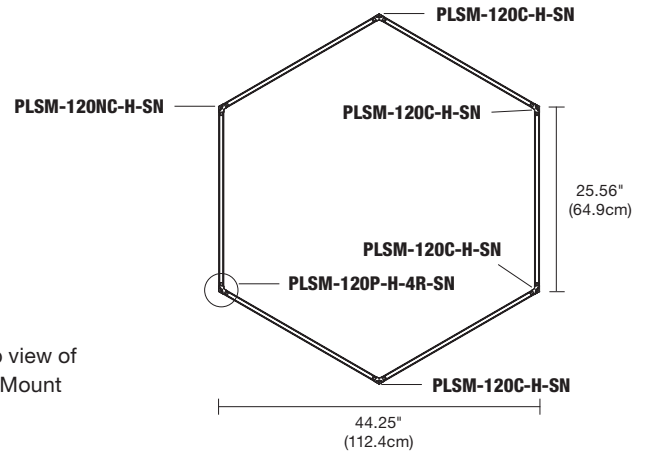


X5-S1S3B

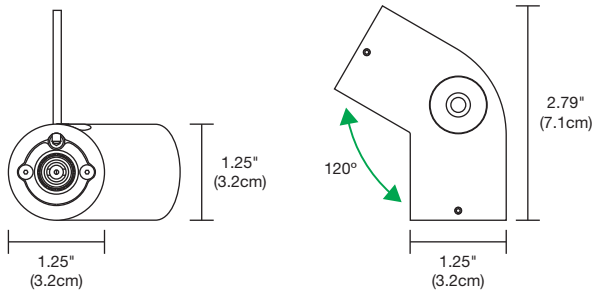
HEXAGON CONFIGURATION, 120° CONNECTORS Use 120P-H & 120C-H to design any size from 25"-25'



Closeup view of Cable Mount



COMPONENTS 120° Connectors

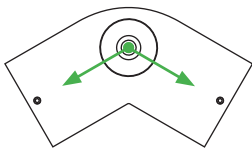


120° POWER HORIZONTAL CONNECTOR

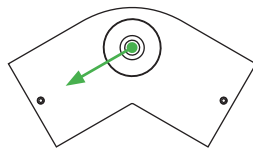
120° Power Horizontal Connector joins two sections of Pipeline 1 Suspension Modular Channels at 120° apart and provides 24VDC power from a Remote or Surface Mount Power Supply up to 100 watts before re-feeding. For powering two channels use ordering code "120P-H" for feeding the power to the left channel only use "120PL-H", for right channel only use "120PR-H". For a Remote Power Supply choose a 2" or 4" Round Canopy, for Surface Mount Power Supply and no Canopy use ordering code "EZ" (Coaxial Cable End Zero). Includes 12' of Coaxial Power Cable, which easily adjusts at Canopy with a Push-In Grip Jack Connector.

System	Type	Canopy	Finish
PLSM	120P-H	4R	BK

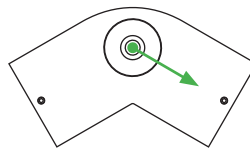
PLSM Pipeline Suspension Modular Downlight	120P-H 120° Power Horizontal Connector 120PL-H 120° Power Horizontal Connector, Conductive Left Side 120PR-H 120° Power Horizontal Connector, Conductive Right Side	2R 2.8" Round Canopy 4R 4.6" Round Canopy EZ No Canopy, for use with Surface Mount Power Supply, p. 45 VR Vanishing Point with No Canopy, only see cable going through drywall ceiling	BK Black XX Custom* *RAL/___ Specify RAL Powder Coat Code (ex: #RAL/9007) Additional finishes are available with an extended lead time. Custom quotation is required prior to ordering.
---	--	---	--



120P-H

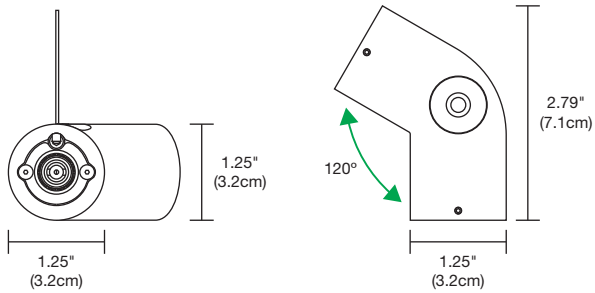


120PL-H



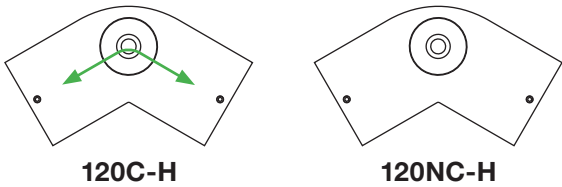
120PR-H

COMPONENTS 120° Connectors



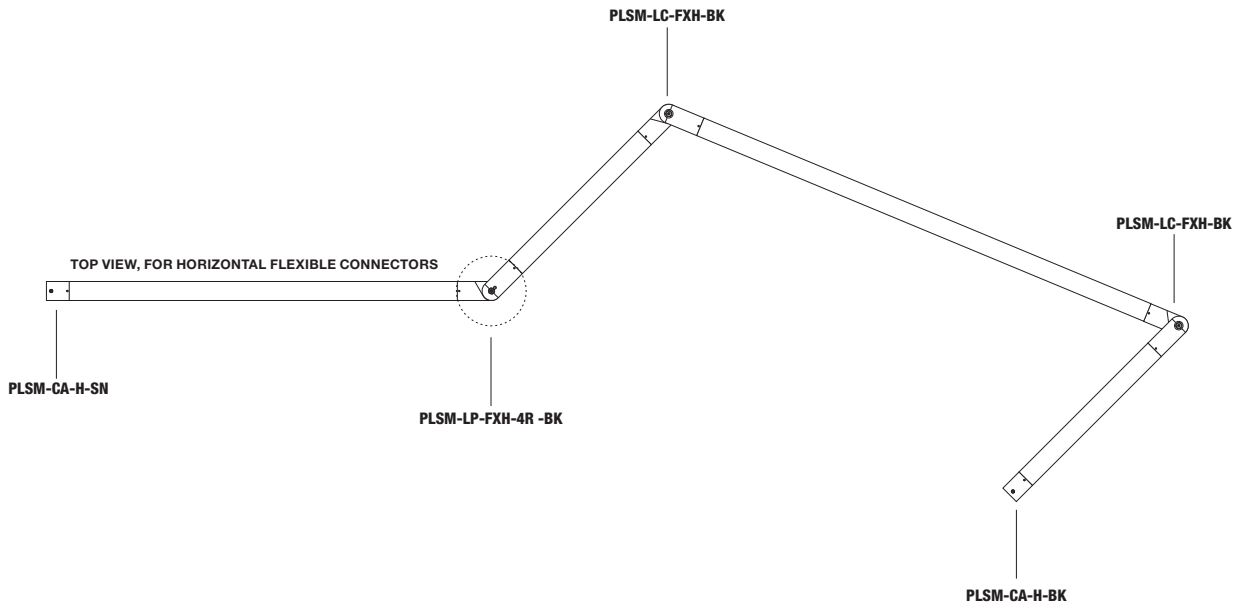
120° HORIZONTAL CONNECTOR

120° Horizontal Connector joins two sections of Pipeline 1 Suspension Modular at 120° apart, conducting the power to all sections (**120C-H**) or isolating the power (**120NC-H**). Includes 12' of adjustable Aircraft Cable and Ceiling Anchors.

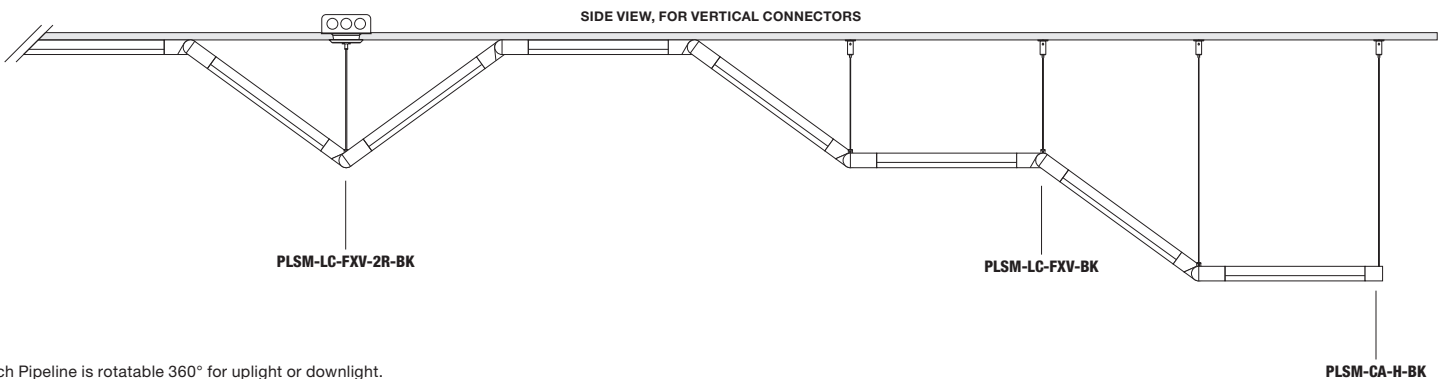


System	Type	Finish
PLSM	120C-H	BK
PLSM Pipeline Suspension Modular Downlight	120C-H 120° Conductive Horizontal Connector 120NC-H 120° Non-Conductive Horizontal Connector	BK Black XX Custom*
		*RAL/____ Specify RAL Powder Coat Code (ex: #RAL/9007) Additional finishes are available with an extended lead time. Custom quotation is required prior to ordering.

MODULAR CONFIGURATIONS Use the Flexible Connectors to design any Modular formation



MODULAR CONFIGURATIONS Using the Flexible Connectors combined with Pipeline 1 Ceiling you can design many functional Modular formations

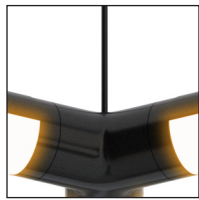


Each Pipeline is rotatable 360° for upright or downlight.

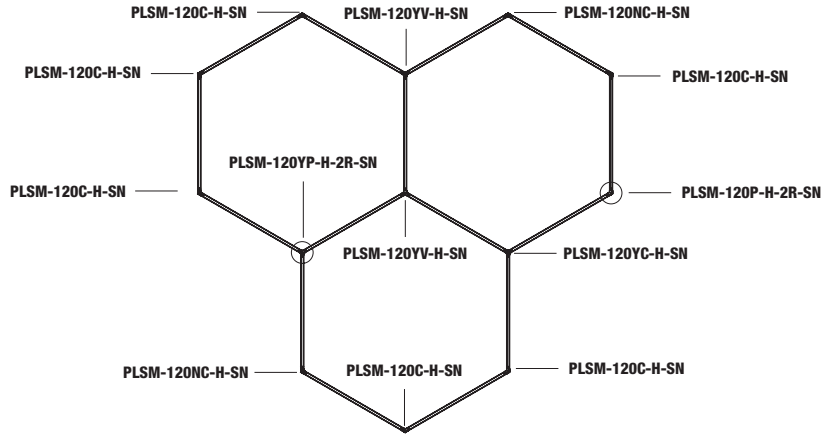
PROJECT	FIXTURE TYPE	DATE
---------	--------------	------

HONEYCOMB CONFIGURATION, 120° CONNECTORS Use 120YP-H & 120YC-H to design any size from 25"-25'

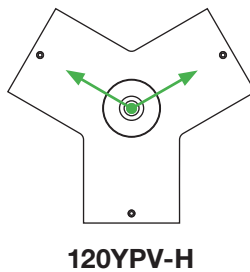
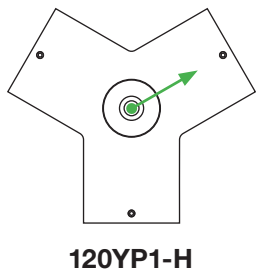
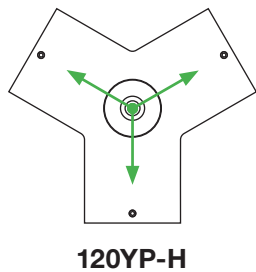
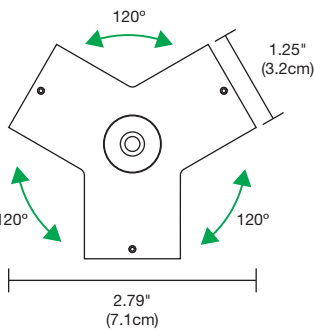
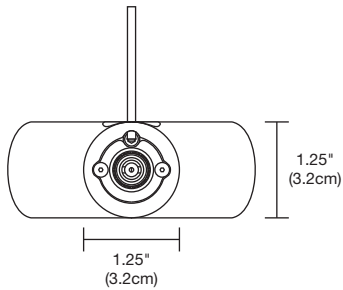
Indicates 24VDC Power Flow



Closeup view of Cable Mount



COMPONENTS 120° Y-Shaped Connectors



120° Y-SHAPED POWER HORIZONTAL CONNECTOR

120° Y-Shaped Power Horizontal Connector, joins three sections of Pipeline 1 Suspension Modular Channels at 120° apart and provides 24VDC power from a Remote or Surface Mount Power Supply up to 100 watts before re-feeding. For powering all three channels use ordering code "**120YP-H**" for feeding the power to one section use ordering code "**120YP1-H**" or two sections "**120YPV-H**". For a Remote Power Supply choose a 2" or 4" Round Canopy, for Surface Mount Power Supply and no Canopy use ordering code "**EZ**" (Coaxial Cable End Zero). Includes 12' of coaxial power cable, which easily adjusts at Canopy with a Push-In Grip Jack Connector.

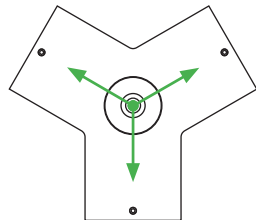
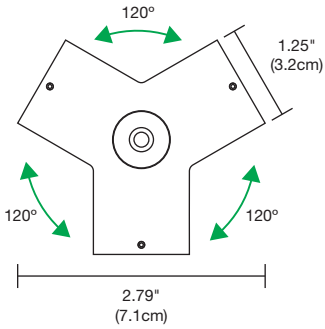
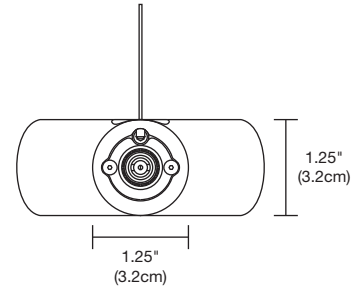
System	Type	Canopy	Finish
PLSM	120YP-H	2R	BK
PLSM Pipeline Suspension Modular Downlight	120YP-H 120° Y-Shaped Power Horizontal Connector 120YP1-H 120° Y-Shaped Power Horizontal Connector, Conductive 1 Section 120YPV-H 120° Y-Shaped Power Horizontal Connector, Conductive 2 Sections	2R 2.8" Round Canopy 4R 4.6" Round Canopy EZ No Canopy, for use with Surface Mount Power Supply, p. 45 VR Vanishing Point with No Canopy, only see cable going through drywall ceiling	BK Black XX Custom* *RAL/_ Specify RAL Powder Coat Code (ex: #RAL/9007) Additional finishes are available with an extended lead time. Custom quotation is required prior to ordering.

PROJECT	FIXTURE TYPE	DATE
---------	--------------	------

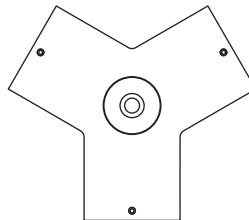
COMPONENTS 120° Y-Shaped Connectors

120° Y-SHAPED HORIZONTAL CONNECTOR

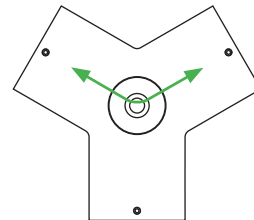
120° Y-Shaped Horizontal Connector joins three sections of Pipeline 1 Suspension Modular Downlight at 120° apart. It isolates the power of each section (**120YNC-H**); or electrically conducts the power to section(s): all sections (**120YC-H**) or two sections (**120YV-H**). Includes 12' of adjustable Aircraft Cable and Ceiling Anchors.



120YC-H



120YNC-H



120YV-H

System	Type	Finish
PLSM	120YC-H	BK
PLSM Pipeline Suspension Modular Downlight	120YC-H 120° Y-Shaped Conductive Horizontal Connector 120YNC-H 120° Y-Shaped Non-Conductive Horizontal Connector 120YV-H 120° Y-Shaped Conductive in 2 Sections	BK Black XX Custom*

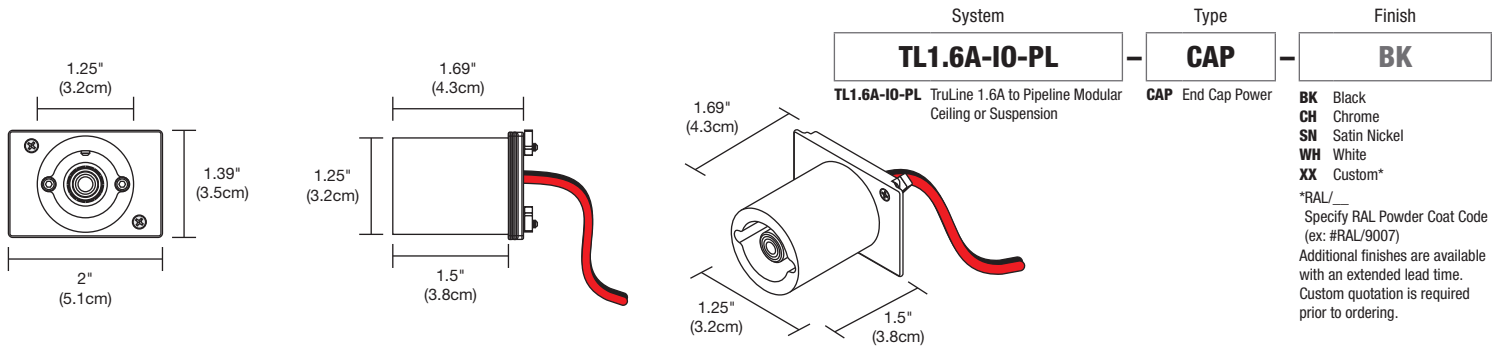
*RAL/___
Specify RAL Powder Coat Code (ex: #RAL/9007)
Additional finishes are available with an extended lead time. Custom quotation is required prior to ordering.

COMPONENTS In & Out Connectors allow for lighting designs using both Pipeline 1 Modular & TruLine 1.6A



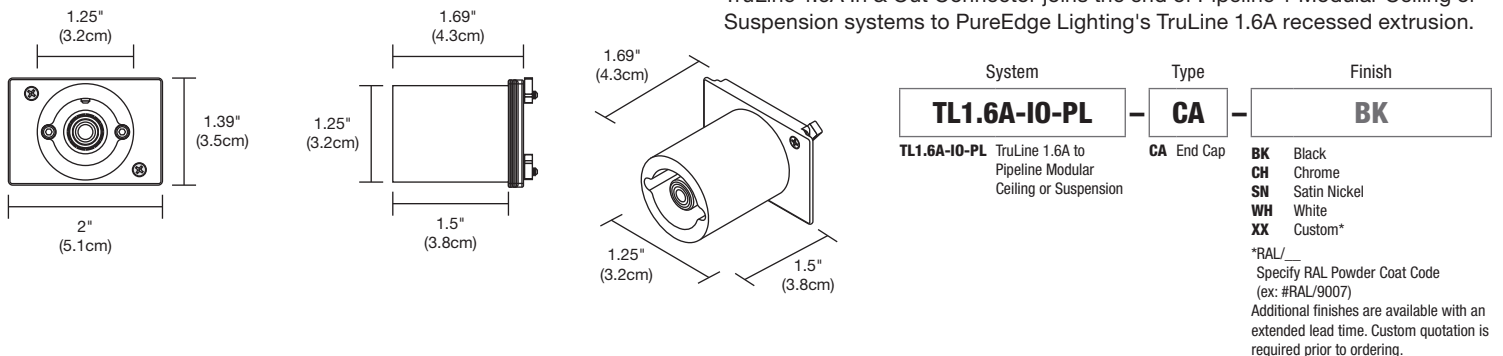
TRULINE 1.6A IN & OUT POWER CONNECTOR TO PIPELINE 1 MODULAR CEILING OR SUSPENSION

TruLine 1.6A In & Out Connector joins and provides power from the end of Pipeline 1 Modular Ceiling or Suspension systems to PureEdge Lighting's TruLine 1.6A recessed extrusion.



TRULINE 1.6A IN & OUT CONNECTOR TO PIPELINE 1 MODULAR CEILING OR SUSPENSION

TruLine 1.6A In & Out Connector joins the end of Pipeline 1 Modular Ceiling or Suspension systems to PureEdge Lighting's TruLine 1.6A recessed extrusion.



PROJECT	FIXTURE TYPE	DATE
---------	--------------	------



T24 TRACK HEADS

24VDC WITH INTEGRATED LED, STATIC WHITE & WARM DIM TECHNOLOGY

REV 11.06.23



PureEdge T24 Track Heads are Compatible with TruTrack® (TR24) Pipeline Systems including Modular Suspension, Pipeline Track Suspensions and Pipeline Stem Mount Wall/Display (P1SDM, PT, PSTU2CR, PSTU2CR) and Surface Mount track (TS24).

All uniform beam spread options are field changeable. See accessories page for more information.

TUBO LARGE	TUBO LARGE DOWNLIGHT
14 WATTS	
 <div style="display: flex; justify-content: space-around; align-items: center;"> <div style="text-align: center;"> <p>7.6" (19.3cm)</p> </div> <div style="text-align: center;"> <p>4.92" (15.5cm)</p> </div> <div style="text-align: center;"> <p>3" (7.6cm)</p> </div> </div>	 <div style="display: flex; justify-content: space-around; align-items: center;"> <div style="text-align: center;"> <p>5.6" (14.2cm)</p> </div> <div style="text-align: center;"> <p>4.92" (12.5cm)</p> </div> <div style="text-align: center;"> <p>3" (7.6cm)</p> </div> </div>
<p>2.34" (5.9cm)</p>	<p>2.34" (5.9cm)</p>

System	Fixture	Beam Spread	Color Temperature	Finish
T24	TUBL	FL	30K	WH
T24 24V Track System	TUBL Tubo Large TUBLD Tubo Large Downlight	NS Narrow Spot 10° SP Spot 20° NF Narrow Flood 35° FL Flood 45° VW Very Wide Flood 75°	24K 2400K Very Warm White 27K 2700K Incandescent White 30D 3000D Warm Dim* 30K 3000K Warm White 35K 3500K Neutral White	BK Black Powder Coat WH White Powder Coat
		For 7° use STB16 snoot with NS	*Not available in VW 30D NS: 7.5W, 400 lumens	

BEAM ANGLE REFERENCE 45°					
COLOR TEMPERATURE	24K	27K	30K	30D	35K
TOTAL LUMENS	1238	1035	1069	683	1268
WATTS	14	14	14	14	14
LUMENS PER WATT (lm/w)	88	74	76	49	91
CRI	97	92	91	97	98
TM-30 DATA	R9: 60 Rf: 93 Rg: 98	R9: 97 Rf: 92 Rg: 100	R9: 64 Rf: 91 Rg: 98	R9: 90 Rf: 95 Rg: 102	R9: 92 Rf: 94 Rg: 101

TUBO SMALL	TUBO SMALL DOWNLIGHT
9 WATTS (WARM DIM: 8 WATTS)	
 <div style="display: flex; justify-content: space-around; align-items: center;"> <div style="text-align: center;"> <p>6.28" (16cm)</p> </div> <div style="text-align: center;"> <p>3.94" (10cm)</p> </div> <div style="text-align: center;"> <p>3" (7.6cm)</p> </div> </div>	 <div style="display: flex; justify-content: space-around; align-items: center;"> <div style="text-align: center;"> <p>4.62" (11.7cm)</p> </div> <div style="text-align: center;"> <p>3.94" (10cm)</p> </div> <div style="text-align: center;"> <p>3" (7.6cm)</p> </div> </div>
<p>1.61" (4.1cm)</p>	<p>1.61" (4.1cm)</p>

System	Fixture	Beam Spread	Color Temperature	Finish
T24	TUBS	FL	30K	WH
T24 24V Track System	TUBS Tubo Small TUBSD Tubo Small Downlight	NS Narrow Spot 15° SP Spot 25° NF Narrow Flood 35° FL Flood 45° VW Very Wide Flood 75°	24K 2400K Very Warm White 27K 2700K Incandescent White 30D 3000D Warm Dim 30K 3000K Warm White 35K 3500K Neutral White	BK Black Powder Coat WH White Powder Coat
		For 7° use TUBS-ST snoot with NS		

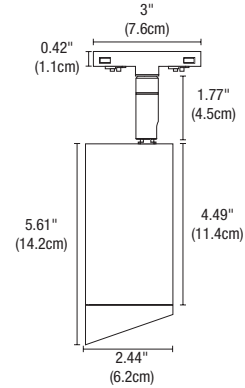
BEAM ANGLE REFERENCE 45°					
COLOR TEMPERATURE	24K	27K	30K	30D	35K
TOTAL LUMENS	503	420	434	287	515
WATTS	9	9	9	8	9
LUMENS PER WATT (lm/w)	59	49	51	39	61
CRI	97	92	93	94	98
TM-30 DATA	R9: 60 Rf: 93 Rg: 98	R9: 97 Rf: 92 Rg: 100	R9: 64 Rf: 91 Rg: 98	R9: 90 Rf: 95 Rg: 102	R9: 92 Rf: 94 Rg: 101

All track heads with the exception of Tubo Wall Wash and Zoom are JAB listed with universal power supplies in 27K> CCT. Click the link to access our full Title 24 compliance listings: pureedgelighting.com/resources

PROJECT	FIXTURE TYPE	DATE	
---------	--------------	------	--

TUBO LARGE WALL WASH

15 WATTS



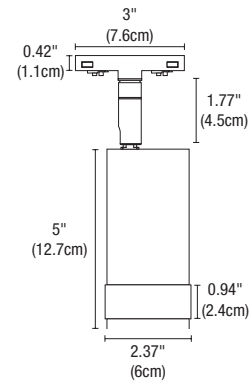
System: **T24** — Fixture: **TUBL** — Beam Spread: **WW** — Color Temperature: **30K** — Finish: **BK**

- T24** Track Head 24V
- TUBL** Tubo Large
- WW** Wall Wash
- 24K** 2400K Very Warm White
- 27K** 2700K Incandescent White
- 30K** 3000K Warm White
- 30D** 3000K Warm Dim to 1800K
- 35K** 3500K Neutral White
- BK** Black Powder Coat
- WH** White Powder Coat

TUBO WALL WASH	
COLOR TEMPERATURE	30K
TOTAL LUMENS	884
WATTS	15
LUMENS PER WATT (lm/w)	59
CRI	92
TM-30 DATA	R9: 61 Rf: 92 Rg: 100

ZOOM

16 WATTS



System: **T24** — Fixture: **ZOOM** — Beam Spread: **Z2** — Color Temperature: **30K** — Finish: **BK**

- T24** Track Head 24V Connector
 - ZOOM** Zoom
 - Z1** Zoom Adjust 15° to 55°
 - Z2** Zoom Adjust 20° to 50°
 - 24K** 2400K Very Warm White
 - 27K** 2700K Incandescent White
 - 30K** 3000K Warm White
 - 30D** 3000K Warm Dim to 1800K*
 - 35K** 3500K Neutral White
 - BK** Black Powder Coat
 - WH** White Powder Coat
- *Only available for Z2

	Z1		Z2		Z2	
BEAM ANGLE	15°	55°	20°	50°	20°	50°
COLOR TEMPERATURE	30K	30K	30K	30K	30D	30D
TOTAL LUMENS	686	873	795	1188	727	879
WATTS	16	16	16	16	15	15
LUMENS PER WATT (lm/w)	46	61	69	89	50	61
CRI	93	93	94	94	97	97
TM-30 DATA	R9: 66 Rf: 92 Rg: 101	R9: 66 Rf: 92 Rg: 101	R9: 74 Rf: 92 Rg: 102	R9: 74 Rf: 92 Rg: 102	R9: 66 Rf: 94 Rg: 101	R9: 66 Rf: 94 Rg: 101

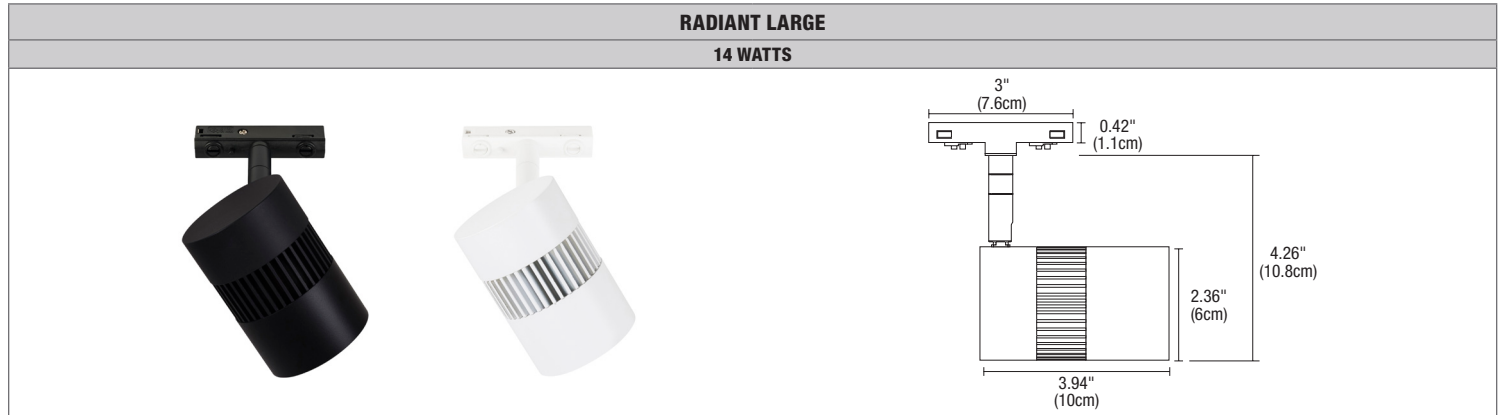
PROJECT		FIXTURE TYPE		DATE	
---------	--	--------------	--	------	--

T24 TRACK HEADS

24VDC WITH INTEGRATED LED, STATIC WHITE & WARM DIM TECHNOLOGY

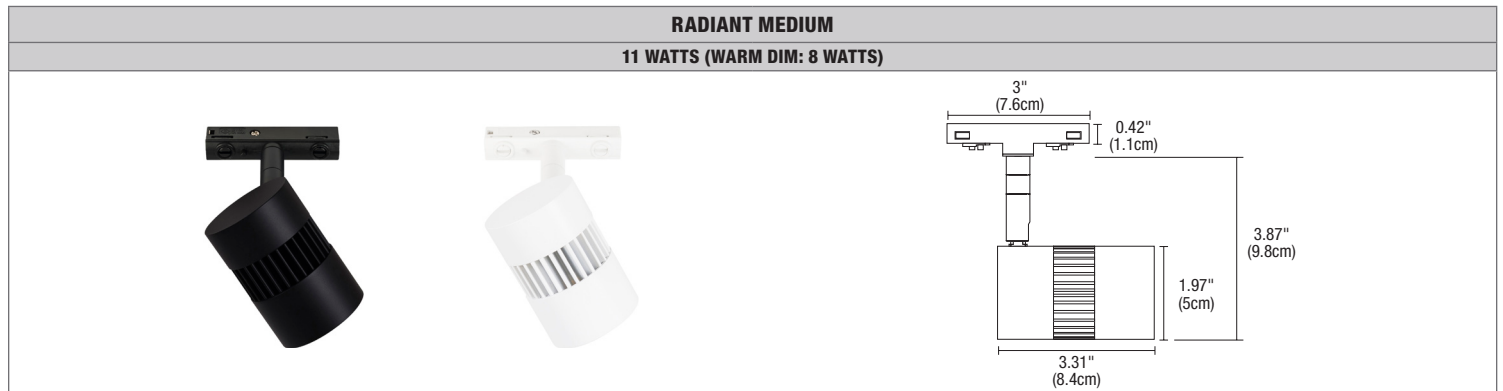
REV 11.06.23

All uniform beam spread options are field changeable, see accessories page.



System	Fixture	Beam Spread	Color Temperature	Finish
T24	RADL	FL	30K	WH
T24 24V Track System	RADL Radiant Large	NS Narrow Spot 10° SP Spot 20° NF Narrow Flood 35° FL Flood 45° WF Wide Flood 60° Warm Dim: NS (15°), SP (25°)	24K 2400K Very Warm White 27K 2700K Incandescent White 30K 3000K Warm White 30D 3000D Warm Dim* 35K 3500K Neutral White *Not available in NF	BK Black Powder Coat WH White Powder Coat

BEAM ANGLE REFERENCE 45°					
COLOR TEMPERATURE	24K	27K	30K	30D	35K
TOTAL LUMENS	1389	1161	1199	838	1422
WATTS	14	14	14	14	14
LUMENS PER WATT (lm/w)	99	83	86	58	102
CRI	97	92	93	97	98
TM-30 DATA	R9: 60 Rf: 93 Rg: 98	R9: 97 Rf: 92 Rg: 100	R9: 64 Rf: 91 Rg: 98	R9: 90 Rf: 95 Rg: 102	R9: 92 Rf: 94 Rg: 101



System	Fixture	Beam Spread	Color Temperature	Finish
T24	RADM	FL	30K	WH
T24 24V Track System	RADM Radiant Medium	SP Spot 20° NF Narrow Flood 35° FL Flood 45° WF Wide Flood 60°	24K 2400K Very Warm White 27K 2700K Incandescent White 30K 3000K Warm White 30D 3000D Warm Dim 35K 3500K Neutral White	BK Black Powder Coat WH White Powder Coat

BEAM ANGLE REFERENCE 45°					
COLOR TEMPERATURE	24K	27K	30K	30D	35K
TOTAL LUMENS	765	639	660	360	783
WATTS	11	11	11	7.7	11
LUMENS PER WATT (lm/w)	70	58	64	47	76
CRI	97	92	93	93	98
TM-30 DATA	R9: 97 Rf: 92 Rg: 100	R9: 64 Rf: 91 Rg: 98	R9: 90 Rf: 95 Rg: 102	R9: 92 Rf: 94 Rg: 101	R9: 92 Rf: 94 Rg: 101

MATERIAL	Extruded Aluminum	FREQUENCY	50/60HZ	APPLICATION	Suitable for damp or dry locations. Indoor use only.	COMPLIANCE LABEL	ETL to UL 2108 Standard
INPUT VOLTAGE	24VDC	POWER FACTOR	> 0.90	DIMMING & FLICKER	0-10V dimming Flicker less than 2%	LED LAMP LIFE	60,000 Hours

All track heads with the exception of Tubo Wall Wash and Zoom are JAB listed with universal power supplies in 27K> CCT. Click the link to access our full Title 24 compliance listings: pureedgelighting.com/resources

PROJECT		FIXTURE TYPE		DATE	
---------	--	--------------	--	------	--

Additional Lenses and Accessories

TUBO LARGE LENS		SNOOT		LOUVER	FOCUS LENS	LINEAR SPREAD FILM	
ORDERING CODE	STATIC WHITE LEN-TUBL-NS-SW LEN-TUBL-SP-SW LEN-TUBL-NF-SW LEN-TUBL-FL-SW LEN-TUBL-VW-SW	WARM DIM LEN-TUBL-SP-WD LEN-TUBL-NF-WD LEN-TUBL-FL-WD	STB16-BK STB16-WH (WHITE SHELL)	ST16-BK ST16-WH	L016-H	LF-TUBL-SF (SOFT FOCUS), MF (MEDIUM FOCUS), WF (WIDE FOCUS)	LF-TUBL-LS
LENS SIZE	2" (50mm) Diameter						
BEAM SPREADS	NS (10°), SP (20°), NF (35°) FL (45°), VW (75°)		Conical snoot creates a 7° Beam spread and is designed to reduce spill and control glare. Spun aluminum.	Snoot is designed to reduce spill and control glare. Spun aluminum.	Hexcell louver eliminates glare. 0.125" Thickness.	Soft focus lens is included with every track head. Diffuses the beam, providing uniform illumination.	Linear spread film: directs the light into an elongated beam. Typical applications using 10°, 15°, 25° include illuminating landscape oriented art. 35°, 40°, 60° create an elongated oval typically used for wall washing.

TUBO SMALL LENS		SNOOT		LOUVER	FOCUS LENS	LINEAR SPREAD FILM
ORDERING CODE	STATIC WHITE LEN-TUBS-NS-SW LEN-TUBS-SP-SW LEN-TUBS-NF-SW LEN-TUBS-FL-SW LEN-TUBS-VW-SW	WARM DIM LEN-TUBS-NS-WD LEN-TUBS-SP-WD LEN-TUBS-NF-WD LEN-TUBS-FL-WD LEN-TUBS-VW-WD	TUBS-ST-BK TUBS-ST-WH (WHITE SHELL)	L011-H	LF-TUBS-SF (SOFT FOCUS), MF (MEDIUM FOCUS), WF (WHITE FOCUS)	LF-TUBS-LS
LENS SIZE	1.37" (35mm) Diameter					
BEAM SPREADS	NS (15°), SP (25°), NF (35°), FL (45°), VW (75°)		Conical snoot creates a 7° Beam spread and is designed to reduce spill and control glare. Spun aluminum.	Hexcell louver eliminates glare. 0.125" Thickness.	Soft focus lens is included with every track head. Diffuses the beam, providing uniform illumination.	Linear spread film: directs the light into an elongated beam. Typical applications using 10°, 15°, 25° include illuminating landscape oriented art. 35°, 40°, 60° create an elongated oval typically used for wall washing.

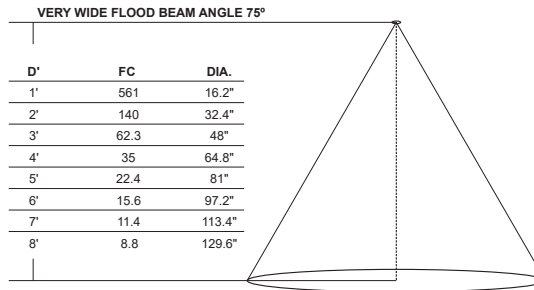
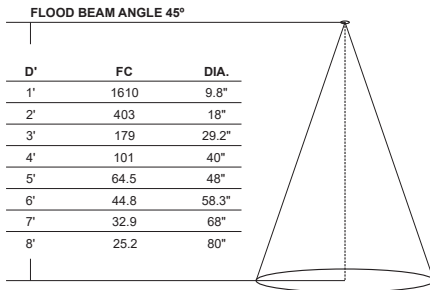
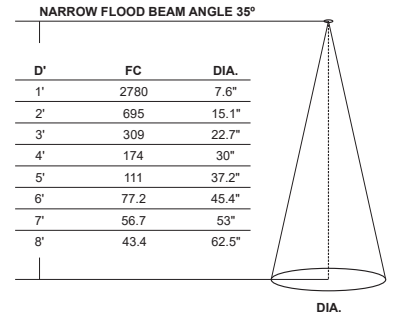
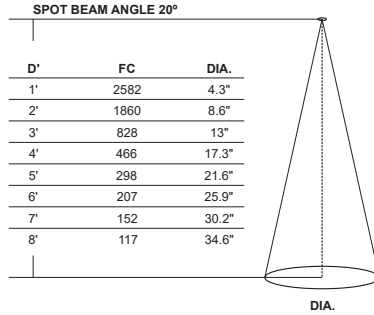
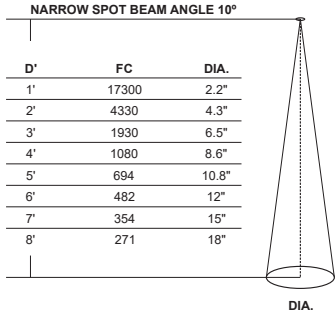
RADIANT LARGE LENS		SNOOT		LOUVER	FOCUS LENS	LINEAR SPREAD FILM
ORDERING CODE	STATIC WHITE LEN-RADL-NS-SW LEN-RADL-SP-SW LEN-RADL-NF-SW LEN-RADL-FL-SW LEN-RADL-WF-SW	WARM DIM LEN-RADL-NS-WD LEN-RADL-SP-WD LEN-RADL-FL-WD LEN-RADL-WF-WD	STB16-BK STB16-WH (WHITE SHELL)	L016-H	LF-RADL-SF (SOFT FOCUS), MF (MEDIUM FOCUS), WF (WIDE FOCUS)	LF-RADL-LS
LENS SIZE	2" (50mm) Diameter					
BEAM SPREADS	NS (10°), SP (20°), NF (35°), FL (45°), WF (60°)	NS (15°), SP (25°), FL (45°), WF (60°)	Conical snoot creates a 7° Beam spread and is designed to reduce spill and control glare. Spun aluminum.	Hexcell louver eliminates glare. 0.125" Thickness.	Soft focus lens is included with every track head. Diffuses the beam, providing uniform illumination.	Linear spread film: directs the light into an elongated beam. Typical applications using 10°, 15°, 25° include illuminating landscape oriented art. 35°, 40°, 60° create an elongated oval typically used for wall washing.

RADIANT MEDIUM LENS		LOUVER	FOCUS LENS	LINEAR SPREAD FILM
ORDERING CODE	STATIC WHITE LEN-RADM-SP-SW LEN-RADM-NF-SW LEN-RADM-FL-SW LEN-RADM-WF-SW	L011-H	LF-RADM-SF (SOFT FOCUS) MF (MEDIUM FOCUS), WF (WIDE FOCUS)	LF-RADM-LS
LENS SIZE	1.37" (35mm) Diameter			
BEAM SPREADS	SP (20°), NF (35°), FL (45°), WF (60°)		Hexcell louver eliminates glare. 0.125" Thickness.	Soft focus lens is included with every track head. Diffuses the beam, providing uniform illumination.
				Linear spread film: directs the light into an elongated beam. Typical applications using 10°, 15°, 25° include illuminating landscape oriented art. 35°, 40°, 60° create an elongated oval typically used for wall washing.

PROJECT		FIXTURE TYPE		DATE	
---------	--	--------------	--	------	--

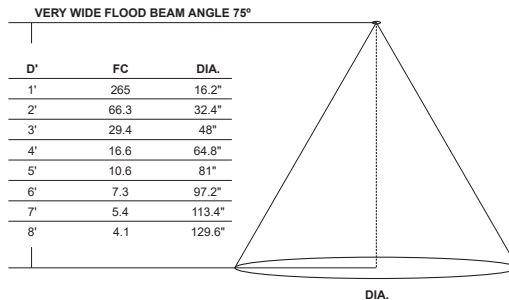
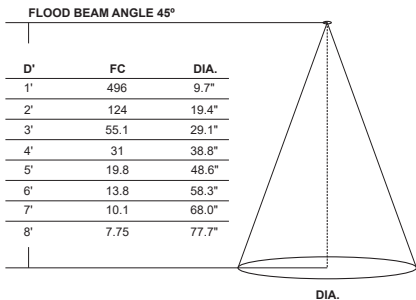
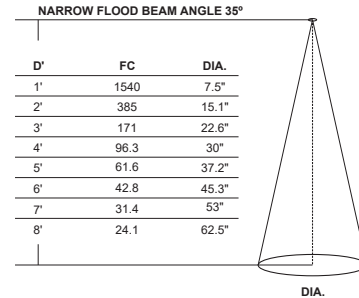
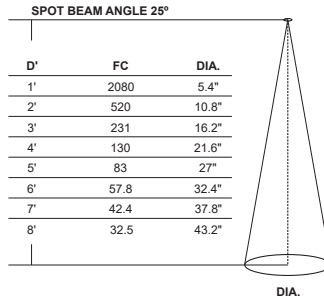
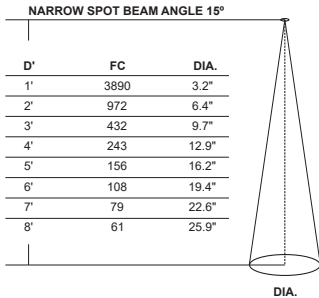
TUBO LARGE Photometric Data at 3000K

D - Distance from fixture
FC - Initial foot candles at the center of beam
DIA - Diameter



TUBO SMALL Photometric Data at 3000K

D - Distance from fixture
FC - Initial foot candles at the center of beam
DIA - Diameter

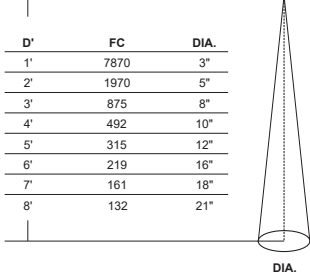


PROJECT	FIXTURE TYPE	DATE
---------	--------------	------

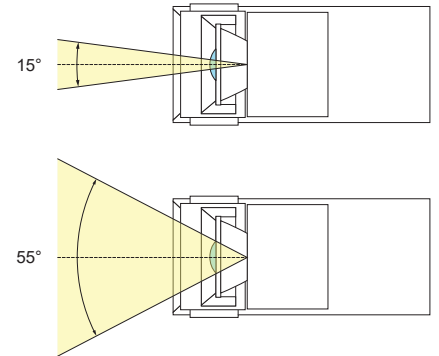
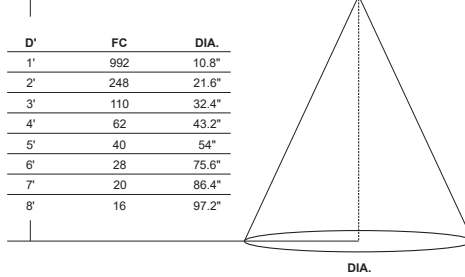
ZOOM Z1 Photometric Data at 3000K

D - Distance from fixture
FC - Initial foot candles at the center of beam
DIA - Diameter

15° BEAM ANGLE



55° BEAM ANGLE

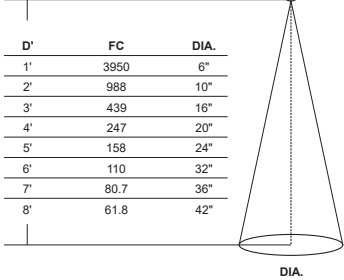


Z1: Adjustable between 15° and 55°

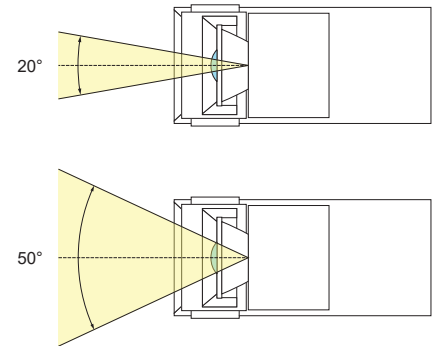
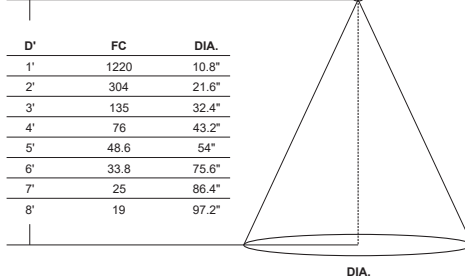
ZOOM Z2 Photometric Data at 3000K

D - Distance from fixture
FC - Initial foot candles at the center of beam
DIA - Diameter

20° BEAM ANGLE



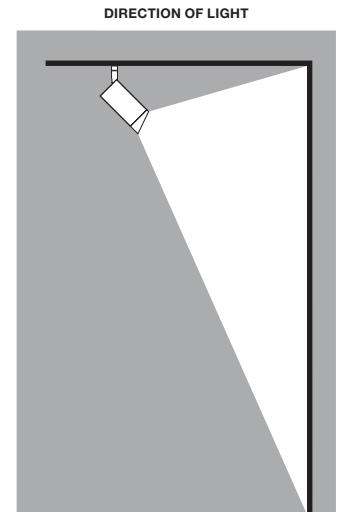
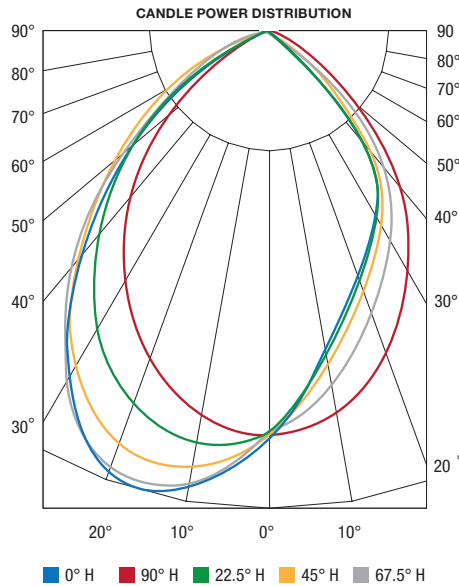
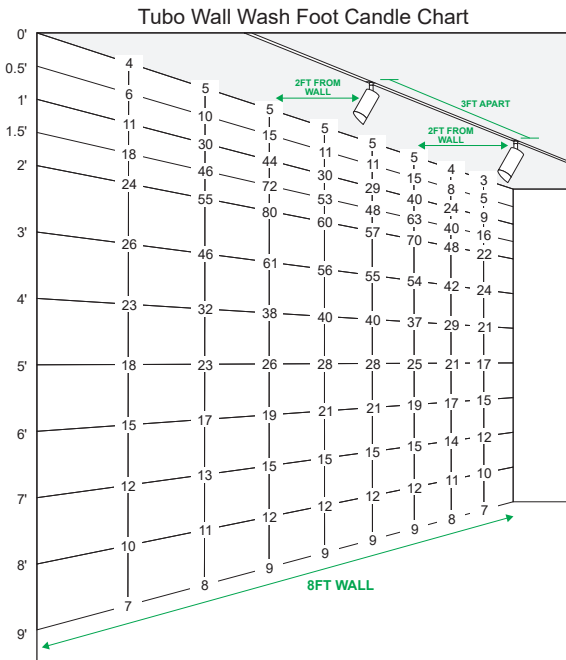
50° BEAM ANGLE



Z2: Adjustable between 20° and 50°

TUBO WALL WASH Photometric Data at 3000K

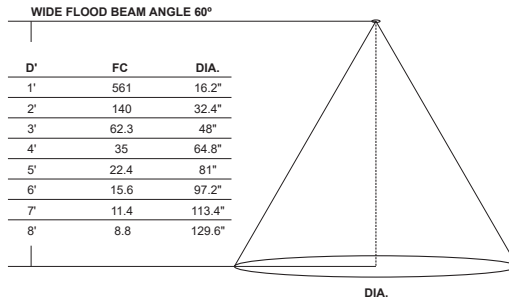
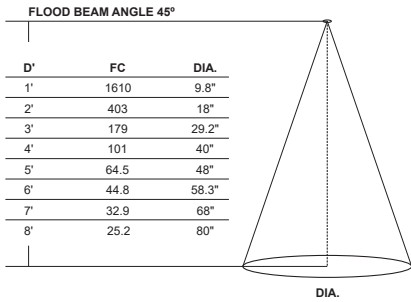
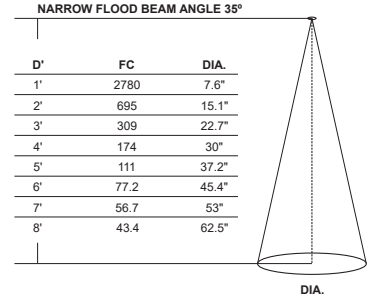
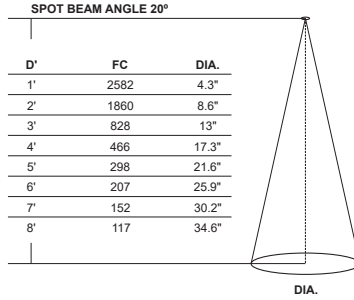
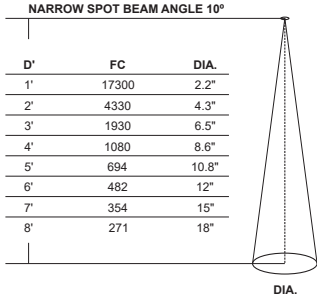
D - Distance from fixture
FC - Initial foot candles at the center of beam
DIA - Diameter



PROJECT	FIXTURE TYPE	DATE
---------	--------------	------

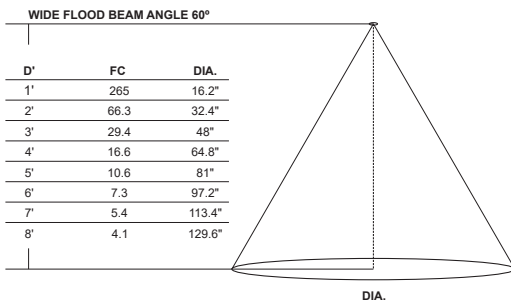
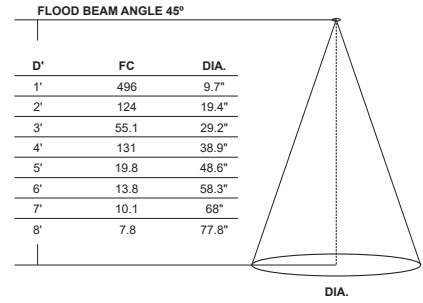
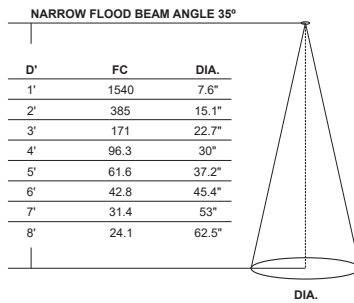
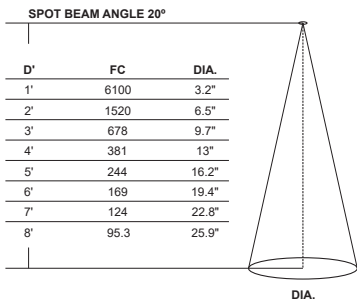
RADIANT LARGE Photometric Data at 3000K

D - Distance from fixture
FC - Initial foot candles at the center of beam
DIA - Diameter



RADIANT MEDIUM Photometric Data at 3000K

D - Distance from fixture
FC - Initial foot candles at the center of beam
DIA - Diameter



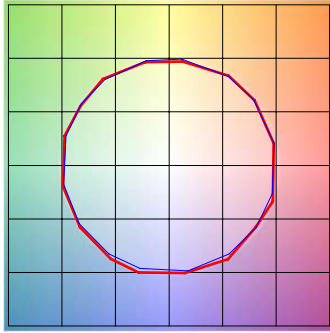
PROJECT	FIXTURE TYPE	DATE
---------	--------------	------

TM30-15 DATA

T24 TRACK HEADS

RADIANT LARGE FLOOD 3000K | Rf: 95 | Rg: 101.6

Color Vector Graphic

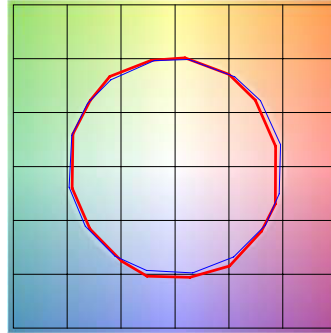


■ Test ■ Reference

		GRAPHIC SHIFTS %	
HUE BIN	Rf	CHROMA	HUE
1	96.8	-0.3%	0.3%
2	97.8	0.3%	-0.3%
3	96.5	0.4%	0.3%
4	95.3	-2.1%	-1.4%
5	95.9	-1.1%	1.1%
6	96.4	1.4%	1.3%
7	93.9	-0.5%	1.9%
8	97.3	1.3%	0.3%
9	95.9	1%	2.1%
10	94.0	1.3%	3.3%
11	92.7	2.9%	4.1%
12	92.4	3.8%	-0.4%
13	94.6	1.5%	-3.2%
14	93.0	3.3%	-3.6%
15	94.6	-0.6%	-0.1%
16	90.1	1.9%	-6.9%

RADIANT MEDIUM FLOOD 3000K | Rf: 89.5 | Rg: 100.8

Color Vector Graphic

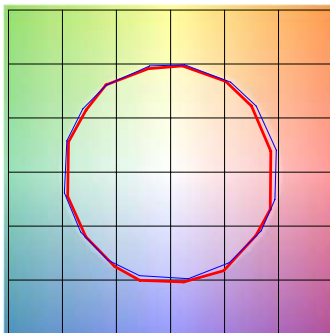


■ Test ■ Reference

		GRAPHIC SHIFTS %	
HUE BIN	Rf	CHROMA	HUE
1	90.0	-4.9%	-0.7%
2	90.7	-3.6%	3.1%
3	87.2	-1.1%	5.9%
4	92.7	1.0%	3.8%
5	93.8	0.9%	2.7%
6	94.2	3.0%	-0.7%
7	92.7	-0.5%	-3.6%
8	96.6	-0.8%	-1.5%
9	94.4	-2.5%	1.4%
10	89.7	-2.3%	4.6%
11	87.3	0.5%	7.6%
12	89.9	5.2%	1.5%
13	92.0	3.6%	-3.4%
14	87.6	4.7%	-7.7%
15	88.2	-0.0%	-6.9%
16	85.8	-1.8%	-10.0%

TUBO LARGE FLOOD 3000K | Rf: 91.0 | Rg: 98.0

Color Vector Graphic

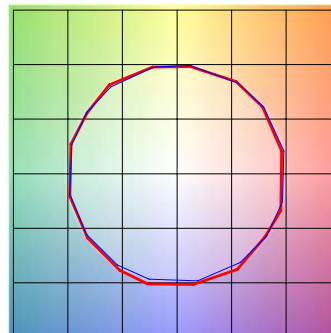


■ Test ■ Reference

		GRAPHIC SHIFTS %	
HUE BIN	Rf	CHROMA	HUE
1	89.2	-5.2%	0.1%
2	91.3	-3.6%	2.4%
3	90.2	-1.8%	4.1%
4	94.7	-1.3%	1.8%
5	93.8	-2.3%	1.8%
6	96.8	0.4%	0.0%
7	93.1	-3.2%	-1.0%
8	96.6	-1.5%	0.7%
9	92.7	-2.4%	3.7%
10	87.4	-1.5%	6.3%
11	87.8	1.5%	8.1%
12	89.9	4.4%	1.0%
13	91.7	2.3%	-4.8%
14	87.4	3.3%	-8.5%
15	88.1	-1.5%	-6.3%
16	85.4	-2.6%	-9.8%

TUBO SMALL FLOOD 3000K | Rf: 95.0 | Rg: 102.2

Color Vector Graphic



■ Test ■ Reference

		GRAPHIC SHIFTS %	
HUE BIN	Rf	CHROMA	HUE
1	96.6	-1.1%	-0.7%
2	97.9	-0.6%	0.4%
3	95.3	0.1%	2.0%
4	96.5	0.3%	1.4%
5	94.8	0.0%	2.0%
6	94.6	3.0%	0.9%
7	96.3	1.1%	-0.9%
8	96.6	1.5%	-1.3%
9	97.3	0.1%	0.4%
10	95.8	-0.5%	1.8%
11	92.5	1.0%	4.4%
12	92.5	4.1%	0.5%
13	94.9	2.5%	-2.0%
14	92.5	4.0%	-3.5%
15	94.0	1.2%	-3.0%
16	90.1	1.7%	-7.1%

PROJECT		FIXTURE TYPE		DATE	
---------	--	--------------	--	------	--

PIPELINE® 1 SUSPENSION

ROTATABLE MODULAR SYSTEM

GRIP JACK SUSPENSION CANOPIES WITH POWER SUPPLIES For 24VDC Static White and Warm Dim LEDs

GRIP JACK SUSPENSION CANOPIES WITH POWER SUPPLIES (USE WITH "EZ" ORDERING CODE)*				
ORDERING CODE	GSP-12RE-1P-60-010-SN	GSP-26RE-2P-60-010-SN	GSP-26RE-1P-100-010-SN	GSP-26RE-2P-2X100-010-SN
SPECIFICATIONS				
DESCRIPTION	12" x 5" Surface Mount Power Canopy with a 60 Watt, 0-10V Power Supply & 1-Port Feed	26" x 5" Surface Mount Power Canopy with two 60 Watt, 0-10V Power Supply & 2-Port Feed	26" X 5" Surface Mount Power Canopy with a 100 Watt, 0-10V Power Supply & 1-Port Feed	26" X 5" Surface Mount Power Canopy with a 2x100 watt, 0-10V Power Supply & 1-Port Feed
MAXIMUM LOAD	60W	2X60W, 120 MAX.	100W	2x100W
INPUT VOLTAGE	120VAC	120-277VAC	120-277VAC	120-277VAC
OUTPUT VOLTAGE	24VDC	24VDC	24VDC	24VDC
DIMENSIONS	12" X 5" CANOPY, 13" X 6" COVER PLATE	26" X 5" CANOPY, 13" X 6" COVER PLATE	26" X 5" CANOPY, 27" X 6" COVER PLATE	26" X 5" CANOPY, 27" X 6" COVER PLATE
FINISHES	BK, CH, SN, WH	BK, CH, SN, WH	BK, CH, SN, WH	BK, CH, SN, WH
MOUNTING	SURFACE MOUNT CANOPY	SURFACE MOUNT CANOPY	SURFACE MOUNT CANOPY	SURFACE MOUNT CANOPY
EFFICIENCY	90%	90%	90%	90%
SHORT CIRCUIT PROTECTION	YES	YES	YES	YES
WORKING TEMPERATURE	-30°C TO 90°C	-30°C TO 90°C	-30°C TO 90°C	-30°C TO 90°C

*Electrical Panels using Seimens/Murray AFCI breakers are not compatible with this ELV transformer. Use 0-10 Volt power supplies with this breaker

GRIP JACK SUSPENSION CANOPIES WITH POWER SUPPLIES		
ORDERING CODE	GSP-8RD-1P-60-UNI-__	GSP-8RD-2P-2X40-UNI-__
SPECIFICATIONS		
DESCRIPTION	Grip Jack Suspension 8" Round Canopy with Remodel Plaster Plate and 60W Power Supply that fits in Junction Box with 1-Port Power Feed	Grip Jack Suspension 8" Round Canopy with New Construction 2" Plaster Ring and 2x40W Power Supply that fits in Junction Box, with 2-Port Power Feed
MAXIMUM LOAD	60W-NON IC	2X40W-NON IC
INPUT VOLTAGE	120VAC	120VAC
OUTPUT VOLTAGE	24VDC	24VDC
DIMENSIONS	8" x 2"	8" x 2"
FINISH	BK, CH, SN, WH	BK, CH, SN, WH
CLASSIFICATION	CLASS 2	CLASS 2
MOUNTING	REMODEL CONSTRUCTION, POWER SUPPLY RECESSED IN J-BOX	NEW CONSTRUCTION, POWER SUPPLY RECESSED IN J-BOX
EFFICIENCY	85%	85%
SHORT CIRCUIT PROTECTION	YES	YES
OVER TEMPERATURE PROTECTION	YES	YES
WORKING TEMPERATURE	-30°C TO 90°C	-30°C TO 90°C
FINISH	SATIN NICKEL, WHITE, BLACK	SATIN NICKEL, WHITE, BLACK

ELV DIMMING & CONTROLS				
LUTRON DIVA: DVELV-300P	•	•	•	•
LUTRON SKYLARK: SELV-300P	•	•	•	•
LUTRON RADIO RA2: RRD-6NA	•	•	•	•
LUTRON MAESTRO: MAELV-600	•	•	•	•
LEGRAND ADORNE: ADTP-703TUM4	•	•	•	•

0-10 DIMMING & CONTROLS				
PHILIPS SUNRISE: SR12002TUNV	•	•	•	•
LUTRON DIVA: DVTV-WH, DVSTV-WH	•	•	•	•
LUTRON NOVA T: NTSTV-DV-XX	•	•	•	•
LUTRON GRAFIX EYE QS: QSGRJ-XP	•	•	•	•
LUTRON RADIO RA2: RRD-10ND	•	•	•	•
LEVITON: LEV40050	•	•	•	•
LEVITON IP710-LFZ	•	•	•	•
LEGRAND: ADPD4FBL3P2W4	•	•	•	•

TRIAC DIMMING & CONTROLS				
LUTRON SKYLARK: S2-L-WH	•	•	•	•
LUTRON DIVA DVLV-600P-WH	•	•	•	•
LUTRON DIVA DVLV-603P-WH	•	•	•	•
LUTRON MAESTRO MALV-600-WH	•	•	•	•
LUTRON MAESTRO MALV-1000-WH	•	•	•	•
LUTRON MAESTRO MA-R-XX	•	•	•	•

- Flicker free dimming
- Auto-reset; short circuit, overload and thermal protection
- The Solid State Constant Voltage Uni-Power Supply is compatible with most commercially available Dimmers:
- Triac Dimmer: (Forward Phase) Typically used for the dimming of Incandescent and Low Voltage Magnetic Transformers
- The Uni-Power Supply is recommended with any Siemens/Murray brand of arc fault breaker to overcome the issues with tripping the breakers with an ELV LED Low Voltage Drivers.
- Aluminum casing for optimal heat dissipation
- Class 2 power supply
- ELV Dimmer: (Reverse Phase) Dimming of Electronic Low Voltage Transformers and Power Supply's used for LED lighting
- Isolated output power per NEC and UL safety requirements
- Efficient, High power factor > 0.90
- UL & ETL recognized/ listed, meets UL 8750, 1310 requirements
- 0-10 Dimmer: Dims the Low Voltage side of a 0-10 volt power supply commonly used in large scale lighting or commercial applications.

PROJECT		FIXTURE TYPE		DATE	
---------	--	--------------	--	------	--

GRIP JACK SUSPENSION CANOPIES WITH POWER SUPPLIES For 24VDC Static White and Warm Dim LEDs

GRIP JACK SUSPENSION CANOPIES WITH POWER SUPPLIES					
ORDERING CODE	GSP-RM-2RD-1P-50-ELV- GSP-RM-2SQ-1P-50-ELV- 	GSP-NC-2RD-1P-50-ELV- GSP-NC-2RD-1P-50-ELV- 	GSP-4RD-1P-50-ELV- GSP-4SQ-1P-50-ELV- 	GSP-5SQ-1P-60-ELV- 	GSP-5SQ-2P-2X60-ELV-
	SPECIFICATIONS				
DESCRIPTION	Grip Jack Suspension 2.68" Canopy with Remodel Plaster Plate and 50W Power Supply that fits in Junction Box with 1-Port Power Feed	Grip Jack Suspension 2.68" Canopy with New Construction 2" Plaster Ring and 50W Power Supply that fits in Junction Box, with 1-Port Power Feed	Grip Jack Suspension Canopy with Remodel 4.6" Canopy and 50W Power Supply that fits in existing Junction Box with 1-Port Power Feed	2x60W Grip Jack Suspension 5" Square Surface Mount Canopy with 1-Port Feed	2x60W Grip Jack Suspension 5" Square Surface Mount Canopy with 2-Port Feed
MAXIMUM LOAD	60W-NON IC, 50W-IC (FITS IN J-BOX)	60W-NON IC, 50W-IC (FITS IN J-BOX)	60W-NON IC, 50W-IC (FITS IN J-BOX)	60W	2X60W
INPUT VOLTAGE	120VAC	120VAC	120VAC	120VAC	120VAC
OUTPUT VOLTAGE	24VDC	24VDC	24VDC	24VDC	24VDC
DIMENSIONS	2.68" x 2.68" x .1"	2.68" x 2.68" x .1"	4.6" x 4.6" x .2"	5.5" X 5.5" X 1.5"	5.5" X 5.5" X 1.5"
FINISH	BK, CH, SN, WH	BK, CH, SN, WH	BK, CH, SN, WH	BK, CH, SN, WH	BK, CH, SN, WH
CLASSIFICATION	CLASS 2	CLASS 2	CLASS 2	CLASS 2	CLASS 2
MOUNTING	REMODEL CONSTRUCTION, POWER SUPPLY RECESSED IN J-BOX	NEW CONSTRUCTION, POWER SUPPLY RECESSED IN J-BOX	REMODEL CONSTRUCTION, POWER SUPPLY RECESSED IN J-BOX	SURFACE MOUNT	SURFACE MOUNT
EFFICIENCY	85%	85%	85%	85%	85%
SHORT CIRCUIT PROTECTION	YES	YES	YES	YES	YES
OVER TEMPERATURE PROTECTION	YES	YES	YES	YES	YES
WORKING TEMPERATURE	-30°C TO 90°C	-30°C TO 90°C	-30°C TO 90°C	-30°C TO 90°C	-30°C TO 90°C
DIMMING & CONTROLS					
LUTRON DIVA: DVELV-300P	•	•	•	•	•
LUTRON SKYLARK: SELV-300P	•	•	•	•	•
LUTRON RADIO RA2: RRD-6NA	N/A	N/A	N/A	•	•
LUTRON MAESTRO: MAELV-600	•	•	•	•	•
LEGRAND ADORNE: ADTP-703TUM4	N/A	N/A	N/A	•	•

With nLight dimming or any Siemens/Murray brand of arc fault breaker, Do Not use ELV power supplies, use only 0-10 volt or Uni drivers power supplies.

GRIP JACK SUSPENSION CANOPIES WITH POWER SUPPLIES CONT'D					
ORDERING CODE	GSP-5SQ-1DP-2X60-ELV- 	GSP-6SQ-1P-100-ELV- GSP-6SQ-1P-150-ELV- 	GSP-6SQ-2P-2X100-ELV- GSP-6SQ-2P-2X150-ELV- 	GSP-6SQ-1DP-2X100-ELV- GSP-6SQ-1DP-2X150-ELV- 	GSP-6SQ-1P-200-ELV-
	SPECIFICATIONS				
DESCRIPTION	2x60W Grip Jack Suspension 5" Square Surface Mount Canopy with 2-Port Feed used with Nova Up/Down	100W or 150W Grip Jack Suspension 6" Square Surface Mount Canopy with 1-Port Feed	2x100W or 2x150W Grip Jack Suspension 6" Square Surface Mount Canopy with 2-Port Feed	2x100W or 2x150W Grip Jack Suspension 6" Square Surface Mount Canopy with Dual-Port Feed	200W Grip Jack Suspension 6" Square Surface Mount Canopy with 1-Port Feed
MAXIMUM LOAD	2X60W	100W OR 150W	2X100W OR 2X150W	2X100W OR 2X150W	200W
INPUT VOLTAGE	120VAC	120VAC	120VAC	120VAC	120VAC
OUTPUT VOLTAGE	24VDC	24VDC	24VDC	24VDC	24VDC
DIMENSIONS	5.5" X 5.5" X 1.5"	6.5" X 6.5" X 1.875"	6.5" X 6.5" X 1.875"	6.5" X 6.5" X 1.875"	6.5" X 6.5" X 1.875"
FINISH	BK, CH, SN, WH	BK, CH, SN, WH	BK, CH, SN, WH	BK, CH, SN, WH	BK, CH, SN, WH
CLASSIFICATION	CLASS 2	100W CLASS 2 150W UL2108	100W CLASS 2 150W UL2108	100W CLASS 2 150W UL2108	UL2108
MOUNTING	SURFACE MOUNT	SURFACE MOUNT	SURFACE MOUNT	SURFACE MOUNT	SURFACE MOUNT
EFFICIENCY	85%	85%	85%	85%	85%
SHORT CIRCUIT PROTECTION	YES	YES	YES	YES	YES
OVER TEMPERATURE PROTECTION	YES	YES	YES	YES	YES
WORKING TEMPERATURE	-30°C TO 90°C	-30°C TO 90°C	-30°C TO 90°C	-30°C TO 90°C	-30°C TO 90°C
DIMMING & CONTROLS					
LUTRON DIVA: DVELV-300P	•	•	•	•	•
LUTRON SKYLARK: SELV-300P	•	•	•	•	•
LUTRON RADIO RA2: RRD-6NA	•	•	•	•	•
LUTRON MAESTRO: MAELV-600	•	•	•	•	•
LEGRAND ADORNE: ADTP-703TUM4	•	•	•	•	•

With nLight dimming or any Siemens/Murray brand of arc fault breaker, Do Not use ELV power supplies, use only 0-10 volt or Uni drivers power supplies.

PROJECT		FIXTURE TYPE		DATE	
---------	--	--------------	--	------	--

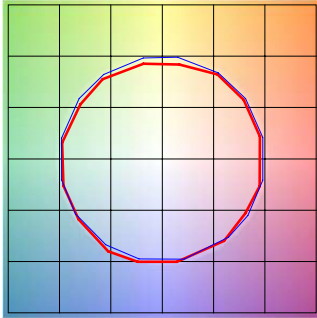
TM30 DATA

ROTATABLE MODULAR SYSTEM

TM-30-15 DATA: The data below is for bare LED Static White Strip. Consistent color temperatures throughout a single strip and among multiple strips is possible through a 3 phase binning process in which each order is inspected with a color meter to ensure uniformity.

2400K | Rf: 84.5 | Rg: 94.4

Color Vector Graphic

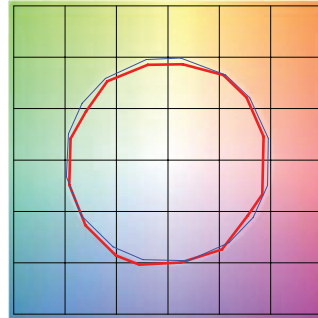


■ Test ■ Reference

HUE BIN	Rf	GRAPHIC SHIFTS %	
		CHROMA	HUE
1	92	-2.4%	1.5%
2	94.7	-2.1%	-0.0%
3	95.4	-1.9%	-0.1%
4	88.7	-6.7%	-3.1%
5	92.8	-5.6%	1.0%
6	92.7	-3.4%	3.4%
7	89.9	-4.3%	4.1%
8	92.4	-1.4%	4.4%
9	89	-0.6%	5.8%
10	88.9	0.4%	6.2%
11	89.7	4.0%	5.4%
12	92.6	3.0%	-0.7%
13	90.9	1.1%	-7.0%
14	89.9	0.5%	-5.8%
15	92.1	-3.2%	0.1%
16	88.9	-1.7%	-6.3%

2700K | Rf: 87.7 | Rg: 96.1

Color Vector Graphic

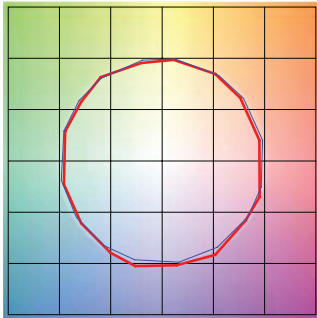


■ Test ■ Reference

HUE BIN	Rf	GRAPHIC SHIFTS %	
		CHROMA	HUE
1	88.0	-4.3%	2.6%
2	91.6	-2.4%	2.0%
3	93.7	-1.4%	1.9%
4	88.9	-5.6%	-3.1%
5	92.3	-5.5%	-0.5%
6	92.9	-3.5%	0.1%
7	84.5	-7.5%	4.6%
8	90.8	-3.0%	4.4%
9	84.5	-1.3%	8.3%
10	83.9	2.0%	9.8%
11	87.2	5.3%	7.1%
12	89.2	5.4%	-2.6%
13	88.7	0.3%	-7.8%
14	86.8	1.7%	-9.3%
15	87.6	-5.4%	-1.3%
16	83.6	-3.3%	-9.5%

3000K | Rf: 88.1 | Rg: 99.7

Color Vector Graphic

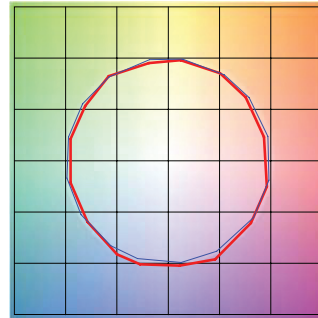


■ Test ■ Reference

HUE BIN	Rf	GRAPHIC SHIFTS %	
		CHROMA	HUE
1	92.5	-3.1%	0.3%
2	93.3	-2.3%	1.9%
3	90.9	-0.8%	3.9%
4	94.3	-1.1%	1.4%
5	92.5	-2.6%	1.5%
6	96.4	1.2%	-0.3%
7	92.6	-2.5%	-0.0%
8	96.9	-1.4%	0.2%
9	92.3	-1.8%	4.3%
10	86.6	-0.7%	7.0%
11	86.5	2.4%	8.2%
12	89.8	5.9%	1.7%
13	93.9	2.6%	-2.7%
14	89.4	5.1%	-5.8%
15	90.1	-0.1%	-4.7%
16	86.5	0.3%	-9.7%

3500K | Rf: 86.1 | Rg: 95.5

Color Vector Graphic

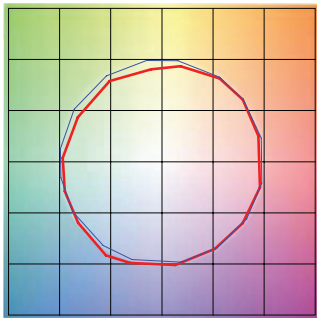


■ Test ■ Reference

HUE BIN	Rf	GRAPHIC SHIFTS %	
		CHROMA	HUE
1	90.8	-3.8%	0.3%
2	92.3	-2.8%	2.1%
3	89.7	-1.0%	4.3%
4	92.6	-1.4%	1.7%
5	91.8	-3.1%	1.3%
6	96.2	0.8%	-0.4%
7	92.9	-3.2%	0.2%
8	94.3	-2.5%	1.5%
9	90.4	-2.5%	5.2%
10	84.3	-1.4%	9.5%
11	83.1	3.5%	9.8%
12	88.2	4.8%	3.4%
13	94.0	2.7%	-2.0%
14	88.7	5.9%	-5.8%
15	88.7	0.7%	-5.9%
16	86.8	-0.7%	-6.7%

4000K | Rf: 87.6 | Rg: 96.8

Color Vector Graphic



■ Test ■ Reference

HUE BIN	Rf	GRAPHIC SHIFTS %	
		CHROMA	HUE
1	88.9	-2.4%	2.5%
2	93.3	-0.4%	0.8%
3	94.8	-1.0%	-0.6%
4	87.9	-4.9%	-3.6%
5	85.3	-9.4%	-2.6%
6	90.2	-6.0%	0.2%
7	85.3	-7.6%	4.6%
8	83.7	-4.1%	8.2%
9	79.5	-1.1%	13.8%
10	78.6	1.5%	12.1%
11	83.5	6.4%	7.8%
12	90.9	3.6%	-1.1%
13	88.3	1.7%	-6.3%
14	91.9	-0.4%	-2.2%
15	84.5	-0.9%	-5.5%
16	84.7	-1.1%	-4.4%

PROJECT	FIXTURE TYPE	DATE
---------	--------------	------

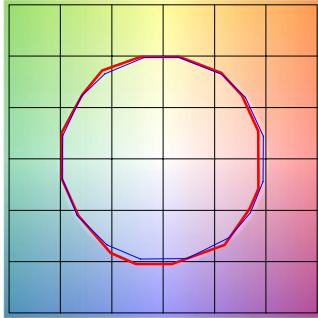
TM30 DATA

ROTATABLE MODULAR SYSTEM

TM-30-15 DATA: The data below is for bare LED Warm Dim Strip. Consistent color temperatures throughout a single strip and among multiple strips is possible through a 3 phase binning process in which each order is inspected with a color meter to ensure uniformity.

2700D | Rf: 90.7 | Rg: 101.1

Color Vector Graphic

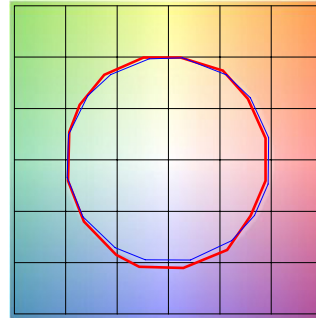


■ Test ■ Reference

HUE BIN	Rf	GRAPHIC SHIFTS %	
		CHROMA	HUE
1	90.9	-4.1%	1.1%
2	91.8	-2.2%	3.2%
3	89.0	0.2%	5.0%
4	92.9	-1.1%	0.8%
5	93.9	1.1%	1.7%
6	93.3	3.3%	0.0%
7	93.1	-0.5%	-1.9%
8	97.2	-0.3%	-0.9%
9	93.4	-1.0%	3.2%
10	89.9	-0.1%	5.6%
11	87.0	4.7%	7.2%
12	89.2	5.8%	-0.2%
13	89.1	3.5%	-6.7%
14	86.3	4.1%	-9.2%
15	91.4	-2.0%	-3.6%
16	84.7	-2.1%	-10.3%

3000D | Rf: 90.6 | Rg: 101.1

Color Vector Graphic



■ Test ■ Reference

HUE BIN	Rf	GRAPHIC SHIFTS %	
		CHROMA	HUE
1	91.5	-3.5%	1.3%
2	92.2	-1.8%	3.0%
3	89.3	0.5%	4.8%
4	92.7	-1.1%	0.6%
5	93.3	0.5%	1.4%
6	93.8	2.7%	-0.8%
7	91.2	-2.1%	-0.2%
8	97.0	-0.5%	-0.7%
9	92.5	-0.7%	3.8%
10	88.3	0.9%	7.1%
11	87.5	3.9%	7.6%
12	88.2	6.2%	-0.2%
13	89.9	3.4%	-6.0%
14	86.9	4.4%	-8.5%
15	91.9	-1.9%	-2.9%
16	84.7	-1.3%	-10.6%

PROJECT		FIXTURE TYPE		DATE	
---------	--	--------------	--	------	--