

PSBR-96W-24VDC

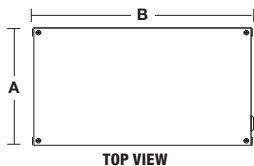
24 VOLT DC, POWER SUPPLY FOR REMOTE BRIDGE BOX

DESIGNED BY GREGORY KAY | ASSEMBLED IN AMERICA

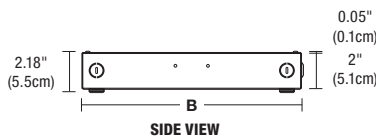
REV 06.03.24



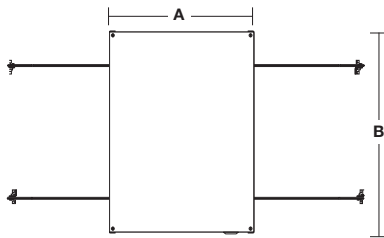
PSBR-96W-24VDC



TOP VIEW



SIDE VIEW

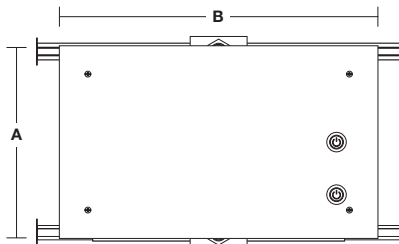


PSBR-96W-24VDC-TB
(T-BAR GRID CEILING)

STANDARD & T-BAR DIMENSIONS		
	A	B
PSBR-60W-24VDC	3.12"	12.4"
PSBR-96W-24VDC	3.12"	12.4"
PSBR-2X96W-24VDC	6.48"	12.15"
PSBR-3X96W-24VDC	10"	14"



PSBR-96W-24VDC-IW



PSBR-2X96W-24VDC-IW (IN WALL KIT)

IN-WALL DIMENSIONS		
	A	B
PSBR-60W-24VDC-IW	3.12"	12.4"
PSBR-96W-24VDC-IW	5.1"	14.25"
PSBR-2X96W-24VDC-IW	8.5"	14.25"

DESCRIPTION

Pure Smart™ PSBR Power Supply for Remote Bridgebox accepts an input voltage of 120-277VAC and outputs 24VDC power up to 3X96 watts. For use with Pure Smart/WiZ Pro CV and UR Remote Bridgeboxes. The enclosure provides a space for electrical connections and features an external push button for cycling power and placing smart fixture and Bridgebox into pairing mode. In Wall Power Supply Kit includes Power Supply, Box Cover, and stud hangers for installing Junction Box in-wall. Indoor applications only. (CV and UR Bridgeboxes Sold Separately).

APPLICATIONS

Indoor - To avoid overheating the power supply, install it in a ventilated remote location with sufficient air flow. Maintain proper spacing between power supplies when multiple power supplies are installed in the same location.

MOUNTING

Surface mounted with conduit access

POWER INPUT

120-277VAC

POWER OUTPUT

Class 2; 24 volts DC 4A, up to 3x96 watts maximum

EXTERNAL PUSH BUTTON

Easily accessible external push button allows for power cycling which triggers pairing mode to the connected smart device.

BRIDGEBOXES (REQUIRED)

- [RGBTW Bridgebox](#)
- [Tunable White Bridgebox](#)
- [Static White Bridgebox](#)

The Pure Smart CV96W Slim Profile Bridgebox is utilized in applications that require our 1" Rectangle canopy with 4 gang junction box and enables wireless control of a 5 channel RGBTW LED load with the WiZ Pro wireless control ecosystem

- [UR RGBTW Bridgebox](#)
- [UR Tunable White Bridgebox](#)
- [UR Static White Bridgebox](#)

The Pure Smart Type UR Bridgebox is utilized in applications utilizing a 4" square deep junction box, suspensions, and as a standalone with no junction box.

CONTROLS

- [Pure Smart™ Wi-Fi Controller](#)

Features ON/OFF buttons, CCT and brightness control as well as four preset/custom scenes programmable in the WiZ app. Communicates via 2.4GHz Wi-Fi. No Hub needed. Voice control with Goggle Assistant, Alexa, Siri, Shortcuts, and IFTTT.

EFFICIENCY

90%

AMBIENT OPERATING TEMPERATURE

-25° C to 90° C

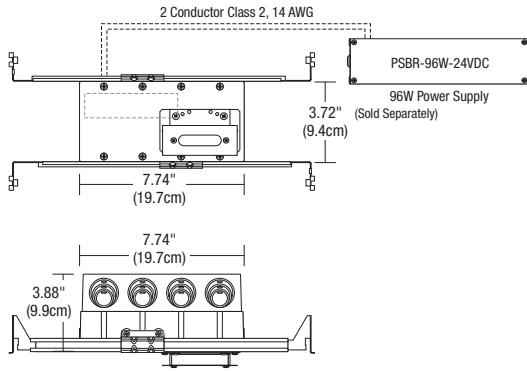
COMPLIANCE

Made in the USA, UL, CE,

Product	Wattage	Voltage	Options
PSBR	96W	24VDC	STANDARD (Leave Blank)
PSBR Power Supply for Remote Bridgebox	60W 60 Watts 96W 96 Watts 2X96W 2 x 96 Watts 3X96W 3 x 96 Watts	24VDC 24 Volt DC	TB T-Bar Grid IW Ceiling In-Wall Kit *Excludes 3X96W

PROJECT	FIXTURE TYPE	DATE
---------	--------------	------

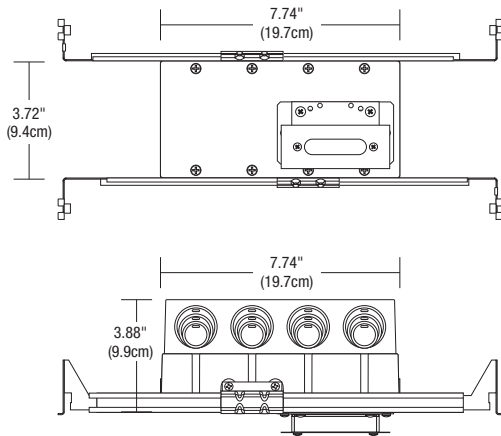
COMPONENTS J-box, Split Canopies, & Mounting Clips are included and sold separately for replacement only



1" RECTANGLE CANOPY WITH 4 GANG JUNCTION BOX AND PURE SMART WIZ PRO CV BRIDGEBOX

The slim profile 1RE Canopy with 4 Gang Junction Box come with adjustable hanger bars and a Pure Smart WIZ Pro CV Bridgebox allowing for wireless control of your CCT selection. Two Class 2, 14AWG stranded conductors from the Remote Power Supply up to 40 ft away are required.

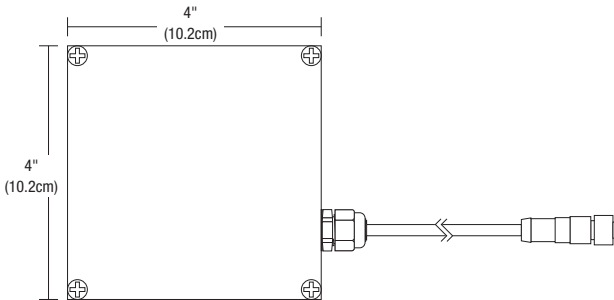
System	Canopy	Control	Color Temperature	System Code
BR	1RE4G	WZ	TC5W5	CL
BR Bridgebox	1RE4G 1" Rectangle Canopy with 4 Gang Junction Box	WZ WIZ pro Connected CV Smart Bridgebox Included	DW Static White TW Tunable White TC5W5 TruColor™ 5 watts RGB & 5 watts Tunable White TC5W7 TruColor™ 5 watts RGB & 7 watts Tunable White TC5W10 TruColor™ 5 watts RGB & 10 watts Tunable White <small>*Not available for FN or LC</small>	CG Ceiling Geometric CL Ceiling Linear FN Flex Neon LC Light Channel SS Soft Strip/Led Strip VN Vanity



CEILING SURFACE 1" RECTANGLE CANOPY & 4 GANG JUNCTION BOX

The Junction Box opening is covered by the fixture for a clean no Canopy look. Includes 4 gang Junction Box with adjustable bar hangers. Includes a Goof Plate, for poor plastering around J-box. Can be quick shipped for rough-in.

System	Canopy
BR	1RE4G
BR Bridgebox	1RE4G 1" Rectangle Canopy with 4 Gang Junction Box



SURFACE 4" SQUARE GANG JBOX AND PURE SMART WIZ PRO UR BRIDGEBOX (INCLUDED WITH ORDERING CODE)

The 4" Square Junction Box located on surface wall includes pin quick connect barrel connectors for fast and secure connection to the fixture. Pure Smart WIZ Pro CV Bridgebox allowing for wireless control of your CCT selection. Requires two Class 2, 14 AWG stranded conductors from the Remote Power Supply up to 40 ft away are required. Can be quick shipped for rough-in. Wall mount only.

Type	Component	Wattage	Control System	Color Temperature Options	System
BR	4SQ	96W	WZ	TC5W5	CL
BR Bridgebox	4SQ 4 Square Junction Box, one 4ft Plenum rated cords with pinned barrel connectors	96W 96 Watts	WZ WIZ pro Connected UR Smart Bridgebox Included	DW Static White TW Tunable White TC5W5 TruColor™ 5 watts RGB & 5 watts Tunable White TC5W7 TruColor™ 5 watts RGB & 7 watts Tunable White TC5W10 TruColor™ 5 watts RGB & 10 watts Tunable White	CG Ceiling Geometric CL Ceiling Linear SG Suspension Geometric SL Suspension Linear

PROJECT		FIXTURE TYPE		DATE	
---------	--	--------------	--	------	--

PSBR-96W-24VDC

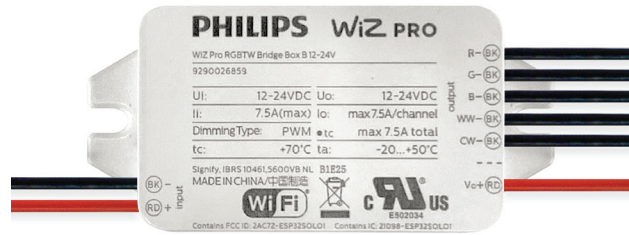
24 VOLT DC, POWER SUPPLY FOR REMOTE BRIDGE BOX



PURE SMART/WIZ PRO CV BRIDGEBOX

WiZ Pro CV Bridgeboxes are included with 1R4 Canopy and allow for integration into the WiZ Pro wireless control ecosystem. The part numbers below are to be used for replacement only. Pure Smart/WiZ Pro CV Bridgeboxes are pre-programmed with Pure Smart app icons, and proprietary color mixing.

Type	Component	Color Temperature Options	System
BRBOX	CV96W	TC5W5	CL
BRBOX Bridgebox	CV96W Slim Profile WIZ Bridgebox	DW Static White Dimmable Tunable White 2K6K TW TruColor™ 5 watts RGB & 5 watts Tunable White TC5W5 TruColor™ 5 watts RGB & 7 watts Tunable White TC5W7 TruColor™ 5 watts RGB & 7 watts Tunable White TC5W10 TruColor™ 5 watts RGB & 10 watts Tunable White	CG Ceiling Geometric CL Ceiling Linear FN Flex Neon LC Light Channel RC Recessed Circle RV Recessed Curved RL Recessed Linear RS Recessed Square SG Suspension Geometric SL Suspension Linear SS Soft Strip/LED Strip VN Vanity



PURE SMART/WIZ PRO UR BRIDGEBOX

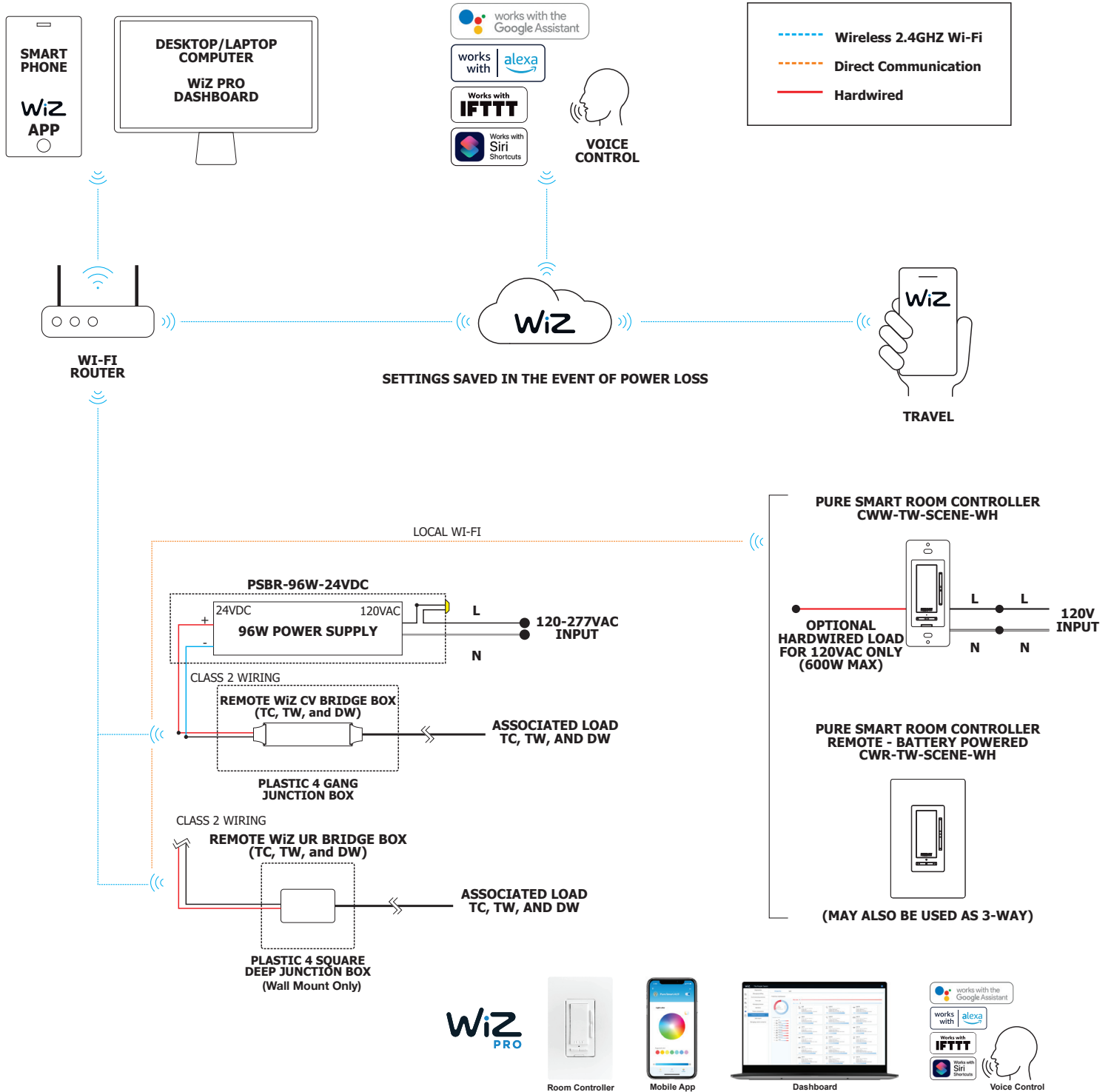
WiZ Pro UR Bridgebox is included with 4" Square Junction for TBar ceilings and allows for integration into the WiZ Pro wireless control ecosystem. The part numbers below are to be used for replacement only. Pure Smart/WiZ Pro UR Bridgeboxes are pre-programmed with Pure Smart app icons, and proprietary color mixing.

Type	Wattage	Color Temperature Options	System
BRBOX	UR96W	TC5W5	CL
BRBOX Bridgebox	UR96W 96 Watt UR Bridgebox	DW Static White Dimmable Tunable White 2K6K TW TruColor™ 5 watts RGB & 5 watts Tunable White TC5W5 TruColor™ 5 watts RGB & 7 watts Tunable White TC5W7 TruColor™ 5 watts RGB & 7 watts Tunable White TC5W10 TruColor™ 5 watts RGB & 10 watts Tunable White	CG Ceiling Geometric CL Ceiling Linear FN Flex Neon LC Light Channel RC Recessed Circle RV Recessed Curved RL Recessed Linear RS Recessed Square SG Suspension Geometric SL Suspension Linear SS Soft Strip/LED Strip VN Vanity

PROJECT	FIXTURE TYPE	DATE
---------	--------------	------

PSBR-96W-24VDC

24 VOLT DC, POWER SUPPLY FOR REMOTE BRIDGE BOX



PROJECT		FIXTURE TYPE		DATE	
---------	--	--------------	--	------	--



DESCRIPTION:

The Pure Smart™ Wi-Fi Room Controller works with any WiZ Connected Smart fixtures/lamps. The Room Controller grants independent adjustment of both color temperature and intensity, as well as scene selection for Single Channel/Static, Tunable White, and TruColor™ RGBTW Fixtures. Four preset scenes can be associated with the room controller via the WiZ App. Custom scenes can be created using multiple layers of light, colors, and can include Pure Smart Wi-Fi Dimmer and Switch as well. No Hub required. Room Controller communicates with fixtures directly on the Local Area Network allowing for control even if the Wi-Fi goes down. Compatible with WiZ Connected fixtures only. For custom quotes and layout assistance, send your drawings and ideas to our design team: design@PureEdgeLighting.com.

OPERATION

Features ON/OFF buttons, CCT and brightness control rockers, and 4 preset/custom scene selections. Maximum output of 600W for hardwired WiZ Connected devices. No load restriction when load wire is not used and devices are connected wirelessly to Room Controller. Communicates with 2.4GHz Wi-Fi only. No Hub Required.

SECURITY

3rd party log-in and cloud security provide a safe and protected connection. WiZ does not store nor share any personal information.

EASY INSTALLATION

The Pure Smart™ Wi-Fi Room Controller installs just like a traditional dimmer. 120V power is all that is needed. Switch leg is optional for CWW-TW-SCENE-WH. This is also offered in a completely wireless version (See Pure Smart Remote Room Controller CWR-TW-SCENE-WH). Compatible with standard gangable boxes. Requires neutral wire. No Hub Required. Single Pole or 3-way compatible. 3-way can be achieved by assigning two room controllers (CWW-TW-SCENE or [CWR-TW-SCENE-WH](#)) to the same target/room/fixture. 3-way can also be achieved with a room controller in combination with the Pure Smart Dimmer ([SWW-DIM-WH](#)), or the Pure Smart Switch ([SWW-SWT-WH](#)) by assigning the dimmer or switch as a target to the room controller.

WIZ APP

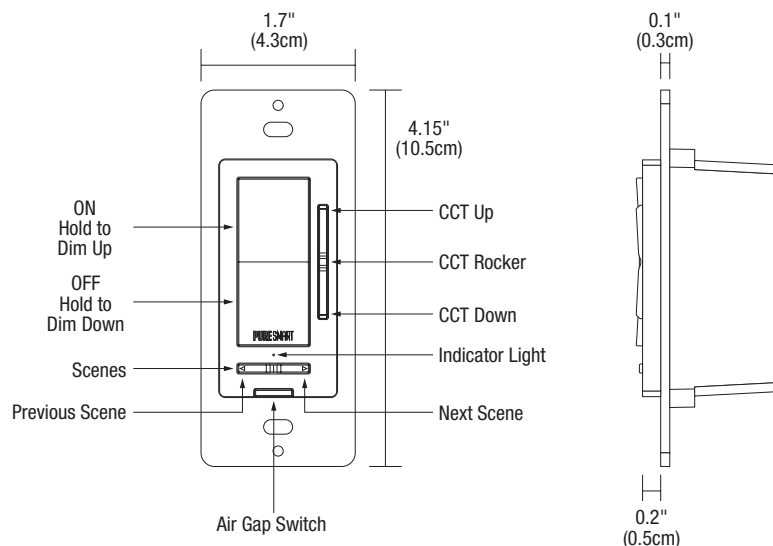
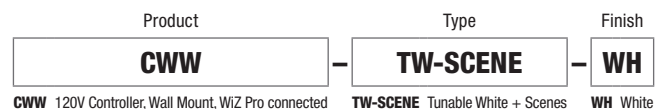
The Room Controller is added as an accessory in the WiZ app (Available on iOS or Android) and communicates directly to the WiZ enabled light fixture via direct wi-fi signal on Local Area Network (LAN). Voice control enabled when used in conjunction with Google Assistant, Siri, Alexa, IFTTT, and SmartThings. Grouping, zoning, scheduling, and custom scenes can all be programmed with the WiZ app or WiZ Pro Dashboard.

BODY

Durable polycarbonate body, compatible with decorator style wall plate (not included).

SPECIFICATIONS

Approved Location	Dry / Indoor
Input Voltage	120Vac - 60 Hz
Certification	cULus, FCC
Compatible Load(s)	WiZ Connected products only
Maximum Power	600W (Hardwired Loads), No Maximum for Wireless Loads
Output Current	5A
Power Consumption	Relay OFF: 0.07W Soft OFF: 0.79W ON: 0.79W
Dimming	Dims to 3%
Operating Temperature	23°F~113°F (-5°C~45°C)
Wireless Frequency	2.4GHz
Wireless Standard	IEEE 802.11
Warranty	3 Year



PROJECT	FIXTURE TYPE	DATE
---------	--------------	------



DESCRIPTION:

The Pure Smart™ Wi-Fi Remote Room Controller works with any WiZ Connected Smart fixtures/lamps. The Remote Room Controller is powered by four AAA batteries (not included) and grants independent adjustment of color temperature and intensity, as well as scene selection for four favorite scenes which are selected and assigned to the room controller in the WiZ App. The four favorited scenes, as with any scene in the WiZ ecosystem, can consist of any combination of products including bulbs, luminaires, or smart controls and can support any combination of color ranges including static white or dimmable white, Tunable White, and Tricolor RGBTW allowing for intricate customization and control. No Hub required. Room Controller communicates with fixtures directly on the Local Area Network allowing for control even if the Wi-Fi goes down. Compatible with WiZ Connected fixtures only. For custom quotes and layout assistance, send your drawings and ideas to our design team: design@PureEdgeLighting.com.

OPERATION

Dimming, CCT control rocker, and a scene control toggle. No load maximum. Communicates with 2.4GHz Wi-Fi only. No Hub Required.

EASY INSTALLATION

The Pure Smart™ Wi-Fi Remote Room Controller is powered by 4 AAA batteries (not included) and is therefore completely wireless. Multiple mounting methods available including to a standard switch box, on the wall with the included drywall anchors or adhesive strip, or kept on a tabletop with the rubber pads that help to keep it stationary. Single Pole or 3-way compatible with Pure Smart Dimmer ([SWW-DIM-WH](#)), Pure Smart Switch ([SWW-SWT-WH](#)), 120V Room Controller ([CWW-TW-SCENE-WH](#)) and another Remote Room Controller. No wires. No hub. Total control.

WiZ APP

The Room Controller is added as an accessory in the WiZ app (Available on iOS or Android) and communicates directly to the WiZ enabled light fixture via direct wi-fi signal on Local Area Network (LAN). Voice control enabled when used in conjunction with Google Assistant, Siri, Alexa, IFTTT, and SmartThings. Grouping, zoning, scheduling, and custom scenes can all be programmed with the WiZ app or WiZ Pro Dashboard.

BODY

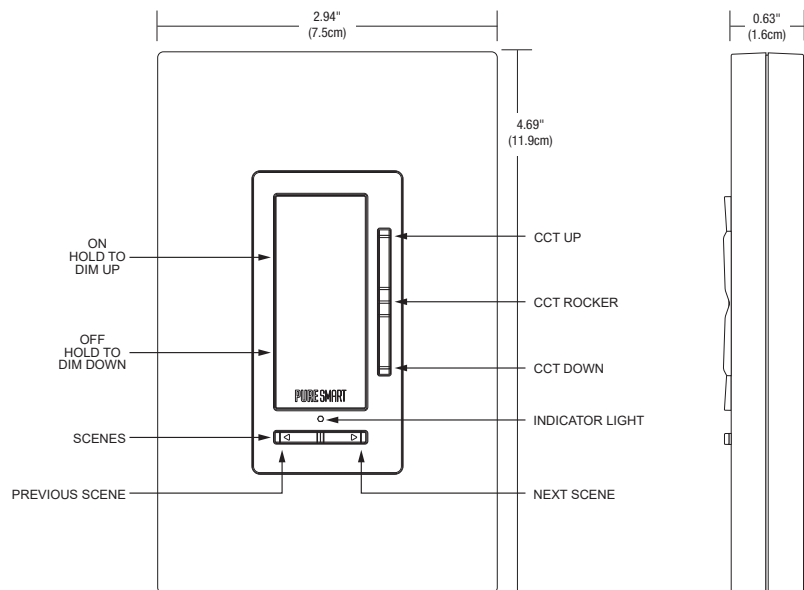
Durable polycarbonate body.

SECURITY

3rd party log-in and cloud security provide a safe and protected connection. WiZ does not store nor share any personal information.

SPECIFICATIONS

Approved Location	Dry / Indoor
Input Voltage	4 AAA batteries (not included)
Certification	cULus, FCC
Compatible Load(s)	WiZ Connected products only
Maximum Power	No Load Maximum
Output Current	5A
Power Consumption	Relay OFF: 0.07W Soft OFF: 0.79W ON: 0.79W
Dimming	Dims to 3%
Operating Temperature	23°F~113°F (-5°C~45°C)
Wireless Frequency	2.4GHz
Wireless Standard	IEEE 802.11
Warranty	3 Year



PROJECT	FIXTURE TYPE	DATE
---------	--------------	------