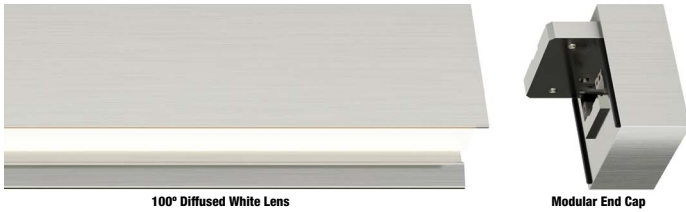


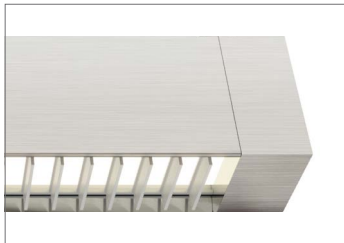


Adroc Office - Chicago, IL



100° Diffused White Lens

Modular End Cap



Diffused White Lens
White Louver



Clear Frosted Lens
Black Louver

DESCRIPTION

The Nova Suspension LED Modular System combines the Nova Suspension Channel with modular L, T, X, Y, and Flexible connectors that build geometric configurations and allow you to be the fixture designer. We provide layout and direction for easy installation. Every fixture includes a 5 year pro-rated warranty. For quotes and parts list, send drawings to Design@PureEdgeLighting.com.

FEATURES & BENEFITS

- **Low Profile:** 1.39 x 1.24 inch channel
- **Remote Power Supply:** Up to 100 watt (End Feed), up to 200 watt (Center Feed)
- **Length Options:** 12 to 120 (10 ft.) inches before adding a connector
- **3 Wattage Options:** 5, 7.5, or 10 watts
- **High Lumen Output:** Up to 667 lm/ft
- **10 Color Temperature Options:** 22K - 57K, Warm Dim (27D, 30D) and Tunable White (2K4K)
- **High CRI:** Up to 95+



5 Standard Finishes (call for custom finish):

- **2 Lens Options:** 100° Diffused White Lens and 60° Clear Frosted Lens
- **2 Louver Options:** Black or White
- **Easy Installation:** Fully Assembled Fixture with push-in connectors

APPLICATIONS

Indoor Only - Architectural lighting in office, retail, commercial, and home

NOVA CHANNEL COMPONENTS INCLUDED

- High Grade LED Strip installed to fit length.
- Lens - Diffused White 100 Degree Lens or Clear Frosted 60 Degree Lens
- Channel with Suspension Cables
- Black or White Louver (if selected)

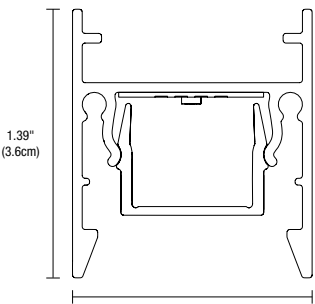
COMPONENTS SOLD SEPARATELY

- Surface Mount or Remote Power Supply
- End Caps and L, T, X, Y and Flexible Connectors
- Power End Caps and Power Connectors (Includes Power Canopies)

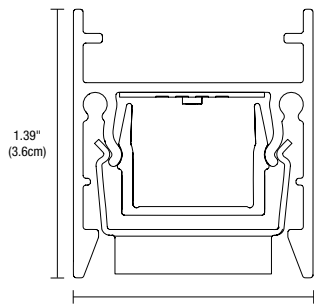
REMOTE POWER SUPPLIES*, DIMMERS & CONTROLS (SOLD SEPARATELY)

- Electronic Low Voltage Dimming (ELV)
- 0-10 Volt Dimming (0-10V)
- UNI Driver (ELV, 0-10, TRIAC)
- Lutron Hi-Lume®

*In-Wall Mounting Kits available for select power supplies



Channel Without Louver
(Actual Size)



Channel With Louver
(Actual Size)

PROJECT	FIXTURE TYPE	DATE
---------	--------------	------

Nova Suspension Modular Channel and Diffused White Lens

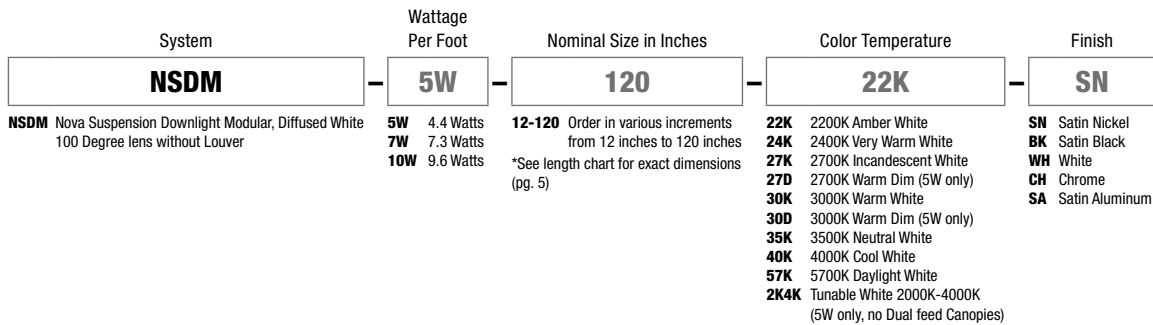


100° Diffused White Lens (Actual Size)

Nova Suspension Modular Channel is the primary component of the Nova Modular system. The 24VDC channel may be ordered from 12 to 120 inches and includes a Diffused White lens. The White lens disperses the light evenly without dots. LEDs come in 3 wattage (lumen) options and 10 Kelvin temperatures including Warm Dim (**27D**, **30D**) and Dynamic Tunable White (**2K4K**). The Nova Modular Channel can be combined with various NSM components such as L, T, X, Y, and Flexible connectors, and 2 or 4 inch round or square power canopies for building personalized modular configurations. Suspension Cables (every 5 feet) are included with the Channel. A Remote Power Supply may be located up to 40 feet away. The Channel runs as long as 20 feet with 5 watts per foot and up to 13 feet with 7.5 watts per foot before refeeding. Use Dual Connector center feed with canopy to double the length. The fixture and L, T, X, Y, and Flexible connectors all come in Satin Nickel, Satin Black, White, or Chrome finishes. Call for custom.

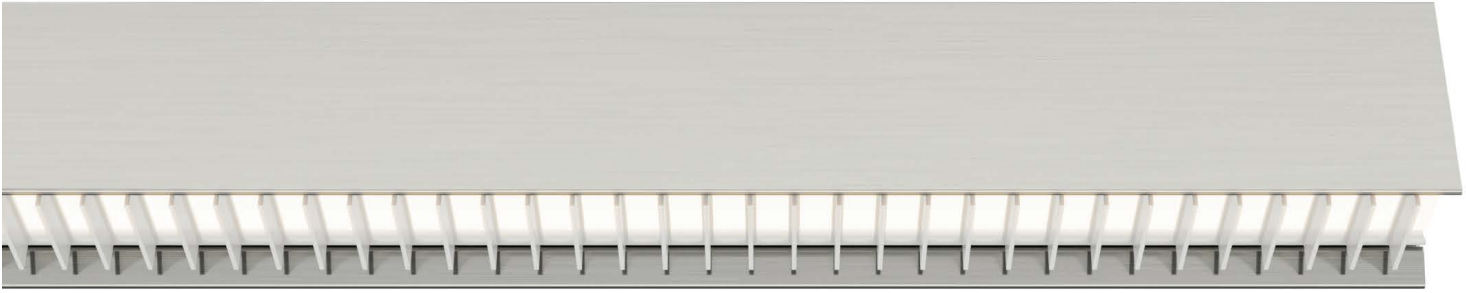
DESCRIPTION	NSDM																						
	100 DEGREE DIFFUSED WHITE LENS WITHOUT LOUVER																						
	5w (5 watts)						7w (7.5 watts)						10w (9.6 watts)										
WATTS PER FOOT	22K	24K	27K	27D*	30K	30D*	35K	40K	57K	22K	24K	27K	30K	35K	40K	57K	22K	24K	27K	30K	35K	40K	57K
COLOR TEMPERATURE	22K	24K	27K	27D*	30K	30D*	35K	40K	57K	22K	24K	27K	30K	35K	40K	57K	22K	24K	27K	30K	35K	40K	57K
LUMENS PER FOOT (lm/ft)	198	218	242	246	264	269	302	329	350	324	356	395	432	495	538	572	420	461	512	560	641	697	742
LUMENS PER WATT (lm/w)	45	50	55	51	60	56	69	75	80	44	49	54	59	68	74	78	44	48	53	58	67	73	77
CRI	85+	90+	95+	95+	95+	95+	85+	84	84	85+	90+	95+	95+	85+	84	84	85+	90+	95+	95+	85+	84	84

*27D, 30D - Warm Dim (4.8 Watts)



PROJECT	FIXTURE TYPE	DATE	
---------	--------------	------	--

Nova Suspension Modular Channel with Diffused White Lens and Clear Frosted Lens with White Louver



Diffused White Lens with White Louver (Actual Size)

Nova Suspension Modular Channel is the primary component of the Nova Modular system. The 24VDC channel may be ordered from 12 to 120 inches and includes a Diffused White lens or Clear Frosted lens. The White Louver reduces glare while dispersing the light evenly without dots. LEDs come in 3 lumen (wattage) options and 10 Kelvin temperatures including Warm Dim (**27D, 30D**) and Dynamic Tunable White (**2K4K**). The Nova Modular Channel can be combined with various NSM components such as L, T, X, Y, and Flexible connectors, and 2 or 4 inch round or square power canopies for building personalized modular configurations. Suspension Cables (every 5 feet) are included with the Channel. A Remote Power Supply may be located up to 40 feet away. The Channel runs as long as 20 feet with 5 watts per foot and up to 13 feet with 7.5 watts per foot before refeeding. Use Dual Connector center feed with canopy to double the length. The fixture and L, T, X, Y, and Flexible connectors all come in Satin Nickel, Satin Black, White, or Chrome finishes. Call for custom.

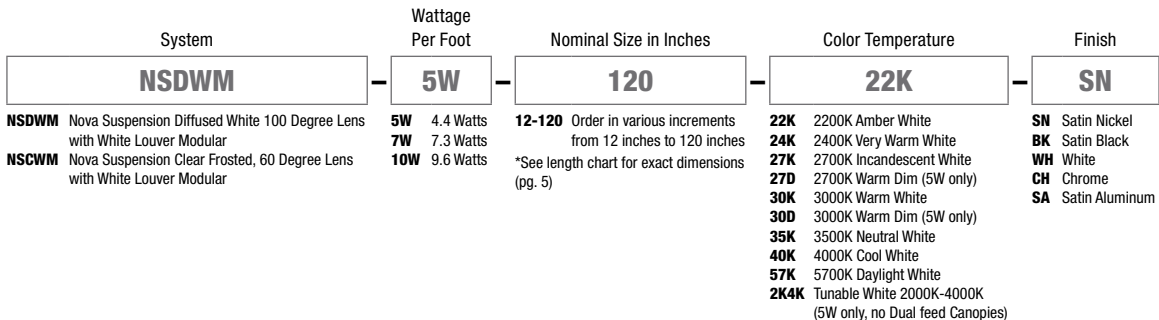
DESCRIPTION	NSDWM																							
	100 DEGREE DIFFUSED WHITE LENS WITH WHITE LOUVER																							
	5w (5 watts)								7w (7.5 watts)								10w (9.6 watts)							
COLOR TEMPERATURE	22K	24K	27K	27D*	30K	30D*	35K	40K	57K	22K	24K	27K	30K	35K	40K	57K	22K	24K	27K	30K	35K	40K	57K	
LUMENS PER FOOT (lm/ft)	139	152	169	172	185	188	212	230	245	227	249	277	302	346	376	401	294	323	359	392	449	488	519	
LUMENS PER WATT (lm/w)	32	34	38	36	42	39	48	52	56	37	34	38	41	47	52	55	31	33	37	41	47	51	54	
CRI	85+	90+	95+	95+	95+	95+	85+	84	84	85+	90+	95+	95+	85+	84	84	85+	90+	95+	95+	85+	84	84	



Clear Frosted Lens with White Louver (Actual Size)

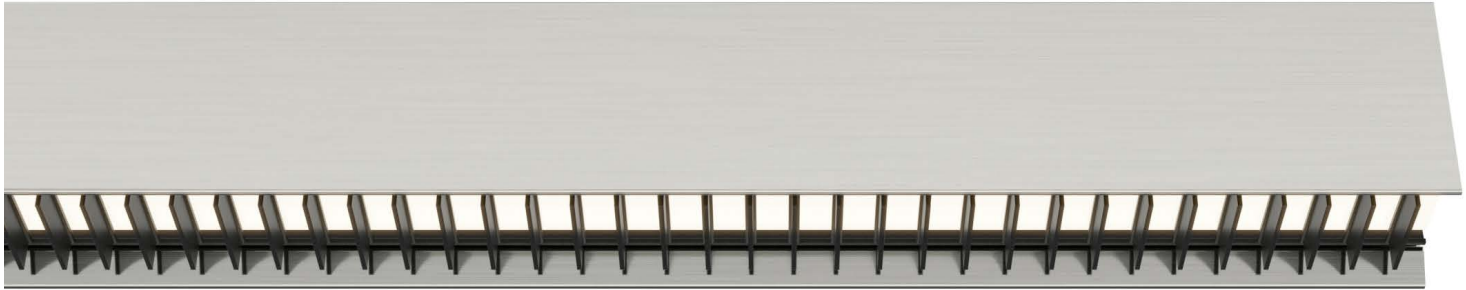
DESCRIPTION	NSCWM																							
	60 DEGREE CLEAR FROSTED LENS WITH WHITE LOUVER																							
	5w (5 watts)								7w (7.5 watts)								10w (9.6 watts)							
COLOR TEMPERATURE	22K	24K	27K	27D*	30K	30D*	35K	40K	57K	22K	24K	27K	30K	35K	40K	57K	22K	24K	27K	30K	35K	40K	57K	
LUMENS PER FOOT (lm/ft)	167	183	203	207	222	226	254	277	294	272	299	332	363	416	452	481	353	415	461	471	539	586	624	
LUMENS PER WATT (lm/w)	38	41	46	43	50	47	58	63	67	37	41	46	50	57	62	66	37	41	45	49	56	61	65	
CRI	85+	90+	95+	95+	95+	95+	85+	84	84	85+	90+	95+	95+	85+	84	84	85+	90+	95+	95+	85+	84	84	

*27D, 30D - Warm Dim (4.8 Watts)



PROJECT		FIXTURE TYPE		DATE	
---------	--	--------------	--	------	--

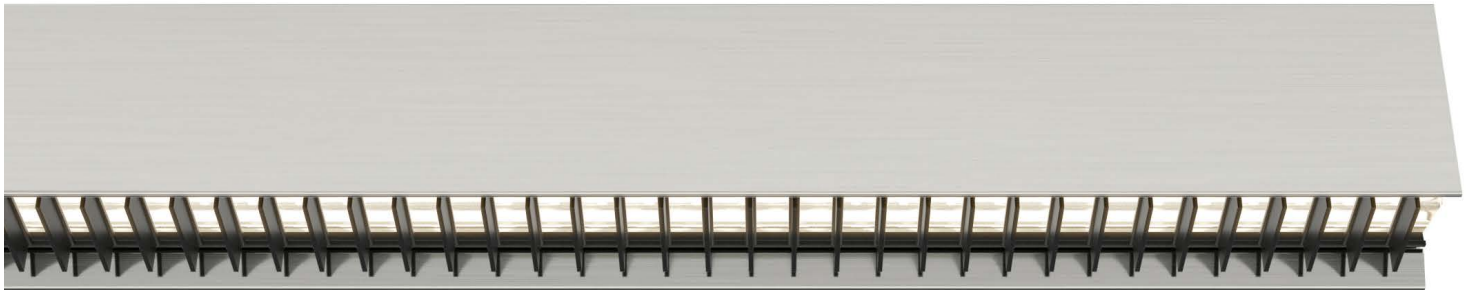
Nova Suspension Modular Channel with Diffused White Lens and Clear Frosted Lens with Black Louver



Diffused White Lens with Black Louver (Actual Size)

Nova Suspension Modular Channel is the primary component of the Nova Modular system. The 24VDC channel may be ordered from 12 to 120 inches and includes a inch Diffused White lens or Clear Frosted lens. The Black Louver reduces the most glare while dispersing the light evenly without dots. LEDs come in 3 lumen (wattage) options and 10 Kelvin temperatures including Warm Dim (**27D**, **30D**) and Dynamic Tunable White (**2K4K**). The Nova Modular Channel can be combined with various NSM components such as L, T, X, Y, and Flexible connectors, and 2 or 4 inch round or square power canopies for building personalized modular configurations. Suspension Cables (every 5 feet) are included with the Channel. A 100 watt Remote Power Supply may be located up to 40 feet away. The Channel runs as long as 20 feet with 5 watts per foot and up to 13 feet with 7.5 watts per foot before refeeding. Use Dual Connector center feed with canopy to double the length. The fixture and L, T, X, Y, and Flexible Connectors all come in Satin Nickel, Satin Black, White, or Chrome finishes. Call for custom.

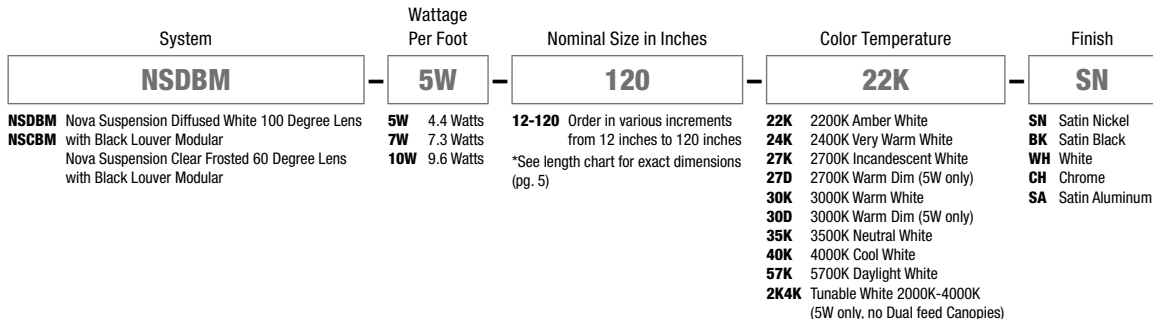
DESCRIPTION	NSDBM																						
	100 DEGREE DIFFUSED WHITE LENS WITH BLACK LOUVER																						
	5w (5 watts)									7w (7.5 watts)							10w (9.6 watts)						
WATTS PER FOOT	5w (5 watts)									7w (7.5 watts)							10w (9.6 watts)						
COLOR TEMPERATURE	22K	24K	27K	27D*	30K	30D*	35K	40K	57K	22K	24K	27K	30K	35K	40K	57K	22K	24K	27K	30K	35K	40K	57K
LUMENS PER FOOT (lm/ft)	87	95	106	108	116	118	132	144	153	142	156	173	189	217	236	251	184	202	224	245	281	305	325
LUMENS PER WATT (lm/w)	20	22	24	22	26	25	30	33	35	19	22	24	26	30	32	34	19	21	23	26	29	32	34
CRI	85+	90+	95+	95+	95+	95+	85+	84	84	85+	90+	95+	95+	85+	84	84	85+	90+	95+	95+	85+	84	84



Clear Frosted Lens with Black Louver (Actual Size)

DESCRIPTION	NSCBM																						
	60 DEGREE CLEAR FROSTED LENS WITH BLACK LOUVER																						
	5w (5 watts)									7w (7.5 watts)							10w (9.6 watts)						
WATTS PER FOOT	5w (5 watts)									7w (7.5 watts)							10w (9.6 watts)						
COLOR TEMPERATURE	22K	24K	27K	27D*	30K	30D*	35K	40K	57K	22K	24K	27K	30K	35K	40K	57K	22K	24K	27K	30K	35K	40K	57K
LUMENS PER FOOT (lm/ft)	104	114	127	129	139	141	159	173	184	170	187	208	227	260	283	301	221	243	270	295	337	367	390
LUMENS PER WATT (lm/w)	24	26	29	27	32	29	36	39	42	23	25	28	31	36	39	41	23	25	28	31	35	38	41
CRI	85+	90+	95+	95+	95+	95+	85+	84	84	85+	90+	95+	95+	85+	84	84	85+	90+	95+	95+	85+	84	84

*27D, 30D - Warm Dim (4.8 Watts)



PROJECT		FIXTURE TYPE		DATE	
---------	--	--------------	--	------	--

LENGTH CHART Actual lengths for Nova Modular Downlight Suspension, Remote Power Supply

22K, 24K, 27K, 30K, 35K, 40K & 57K							
Nominal Length (Inches)	Actual Length (Inches)	Total Wattage (5W)	Power Supply	Total Wattage (7W)	Power Supply	Total Wattage (10W)	Power Supply
12	12.0	5	PSB-40W-UNI-24VDC	8	PSB-40W-UNI-24VDC	10	PSB-40W-UNI-24VDC
15	14.4	6	PSB-40W-UNI-24VDC	9	PSB-40W-UNI-24VDC	12	PSB-40W-UNI-24VDC
17	16.8	7	PSB-40W-UNI-24VDC	11	PSB-40W-UNI-24VDC	14	PSB-40W-UNI-24VDC
20	19.2	8	PSB-40W-UNI-24VDC	13	PSB-40W-UNI-24VDC	17	PSB-40W-UNI-24VDC
22	21.6	9	PSB-40W-UNI-24VDC	14	PSB-40W-UNI-24VDC	18	PSB-40W-UNI-24VDC
24	24.0	10	PSB-40W-UNI-24VDC	15	PSB-40W-UNI-24VDC	20	PSB-40W-UNI-24VDC
27	26.4	11	PSB-40W-UNI-24VDC	17	PSB-40W-UNI-24VDC	22	PSB-40W-UNI-24VDC
29	28.8	12	PSB-40W-UNI-24VDC	18	PSB-40W-UNI-24VDC	24	PSB-40W-UNI-24VDC
32	31.2	13	PSB-40W-UNI-24VDC	20	PSB-40W-UNI-24VDC	27	PSB-40W-UNI-24VDC
34	33.6	14	PSB-40W-UNI-24VDC	21	PSB-40W-UNI-24VDC	28	PSB-40W-UNI-24VDC
36	36.0	15	PSB-40W-UNI-24VDC	23	PSB-40W-UNI-24VDC	30	PSB-40W-UNI-24VDC
39	38.4	16	PSB-40W-UNI-24VDC	24	PSB-40W-UNI-24VDC	32	PSB-40W-UNI-24VDC
41	40.8	17	PSB-40W-UNI-24VDC	26	PSB-40W-UNI-24VDC	34	PSB-40W-UNI-24VDC
44	43.2	18	PSB-40W-UNI-24VDC	28	PSB-40W-UNI-24VDC	37	PSB-40W-UNI-24VDC
46	45.6	19	PSB-40W-UNI-24VDC	29	PSB-40W-UNI-24VDC	38	PSB-40W-UNI-24VDC
48	48.0	20	PSB-40W-UNI-24VDC	30	PSB-40W-UNI-24VDC	40	PSB-60W-UNI-24VDC
51	50.4	21	PSB-40W-UNI-24VDC	32	PSB-40W-UNI-24VDC	42	PSB-60W-UNI-24VDC
53	52.8	22	PSB-40W-UNI-24VDC	33	PSB-40W-UNI-24VDC	44	PSB-60W-UNI-24VDC
56	55.2	23	PSB-40W-UNI-24VDC	35	PSB-40W-UNI-24VDC	47	PSB-60W-UNI-24VDC
58	57.6	24	PSB-40W-UNI-24VDC	36	PSB-40W-UNI-24VDC	48	PSB-60W-UNI-24VDC
60	60.0	25	PSB-40W-UNI-24VDC	38	PSB-40W-UNI-24VDC	50	PSB-60W-UNI-24VDC
63	62.4	26	PSB-40W-UNI-24VDC	39	PSB-40W-UNI-24VDC	52	PSB-60W-UNI-24VDC
65	64.8	27	PSB-40W-UNI-24VDC	41	PSB-60W-UNI-24VDC	54	PSB-60W-UNI-24VDC
68	67.2	28	PSB-40W-UNI-24VDC	43	PSB-60W-UNI-24VDC	57	PSB-60W-UNI-24VDC
70	69.6	29	PSB-40W-UNI-24VDC	44	PSB-60W-UNI-24VDC	58	PSB-60W-UNI-24VDC
72	72.0	30	PSB-40W-UNI-24VDC	45	PSB-60W-UNI-24VDC	60	PSB-96W-UNI-24VDC
75	74.4	31	PSB-40W-UNI-24VDC	47	PSB-60W-UNI-24VDC	62	PSB-96W-UNI-24VDC
77	76.8	32	PSB-40W-UNI-24VDC	48	PSB-60W-UNI-24VDC	64	PSB-96W-UNI-24VDC
80	79.2	33	PSB-40W-UNI-24VDC	50	PSB-60W-UNI-24VDC	67	PSB-96W-UNI-24VDC
82	81.6	34	PSB-40W-UNI-24VDC	51	PSB-60W-UNI-24VDC	68	PSB-96W-UNI-24VDC
84*	84.0	35	PSB-40W-UNI-24VDC	53	PSB-60W-UNI-24VDC	70	PSB-96W-UNI-24VDC
87	86.4	36	PSB-40W-UNI-24VDC	54	PSB-60W-UNI-24VDC	72	PSB-96W-UNI-24VDC
89	88.8	37	PSB-40W-UNI-24VDC	56	PSB-60W-UNI-24VDC	74	PSB-96W-UNI-24VDC
92	91.2	38	PSB-40W-UNI-24VDC	58	PSB-60W-UNI-24VDC	77	PSB-96W-UNI-24VDC
94	93.6	39	PSB-40W-UNI-24VDC	59	PSB-60W-UNI-24VDC	78	PSB-96W-UNI-24VDC
96	96.0	40	PSB-60W-UNI-24VDC	60	PSB-96W-UNI-24VDC	80	PSB-96W-UNI-24VDC
99	98.4	41	PSB-60W-UNI-24VDC	62	PSB-96W-UNI-24VDC	82	PSB-96W-UNI-24VDC
101	100.8	42	PSB-60W-UNI-24VDC	63	PSB-96W-UNI-24VDC	84	PSB-96W-UNI-24VDC
104	103.2	43	PSB-60W-UNI-24VDC	65	PSB-96W-UNI-24VDC	87	PSB-96W-UNI-24VDC
106	105.6	44	PSB-60W-UNI-24VDC	66	PSB-96W-UNI-24VDC	88	PSB-96W-UNI-24VDC
108	108.0	45	PSB-60W-UNI-24VDC	68	PSB-96W-UNI-24VDC	90	PSB-96W-UNI-24VDC
111	110.4	46	PSB-60W-UNI-24VDC	69	PSB-96W-UNI-24VDC	92	PSB-96W-UNI-24VDC
113	112.8	47	PSB-60W-UNI-24VDC	71	PSB-96W-UNI-24VDC	94	PSB-96W-UNI-24VDC
116	115.2	48	PSB-60W-UNI-24VDC	73	PSB-96W-UNI-24VDC	97	PSB-100W-ELV-24VDC
118	117.6	49	PSB-60W-UNI-24VDC	74	PSB-96W-UNI-24VDC	98	PSB-100W-ELV-24VDC
120**	120.0	50	PSB-60W-UNI-24VDC	75	PSB-96W-UNI-24VDC	100	PSB-100W-ELV-24VDC

*Maximum Chrome Length **Maximum Shipping Length

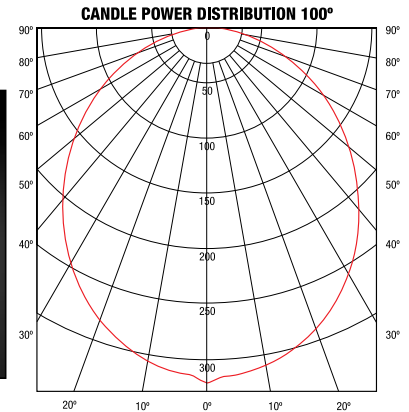
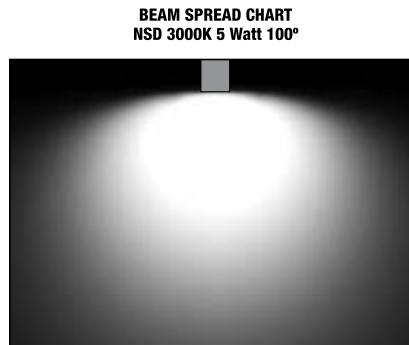
PROJECT		FIXTURE TYPE		DATE	
---------	--	--------------	--	------	--

LENGTH CHART Actual lengths for Nova Modular Downlight Suspension, Remote Power Supply

27D & 30D							
Nominal Length (Inches)	Actual Length (Inches)	Total Wattage (5W)	Power Supply	Nominal Length (Inches)	Actual Length (Inches)	Total Wattage (5W)	Power Supply
12	12	5	PSB-40W-UNI-24VDC	69	69	29	PSB-40W-UNI-24VDC
15	15	6	PSB-40W-UNI-24VDC	72	72	30	PSB-40W-UNI-24VDC
18	18	8	PSB-40W-UNI-24VDC	75	75	31	PSB-40W-UNI-24VDC
21	21	9	PSB-40W-UNI-24VDC	78	78	33	PSB-40W-UNI-24VDC
24	24	10	PSB-40W-UNI-24VDC	81	81	34	PSB-40W-UNI-24VDC
27	27	11	PSB-40W-UNI-24VDC	84	84	35	PSB-40W-UNI-24VDC
30	30	13	PSB-40W-UNI-24VDC	87	87	36	PSB-40W-UNI-24VDC
33	33	14	PSB-40W-UNI-24VDC	90	90	38	PSB-40W-UNI-24VDC
36	36	15	PSB-40W-UNI-24VDC	93	93	39	PSB-40W-UNI-24VDC
39	39	16	PSB-40W-UNI-24VDC	96	96	40	PSB-60W-UNI-24VDC
42	42	18	PSB-40W-UNI-24VDC	99	99	41	PSB-60W-UNI-24VDC
45	45	19	PSB-40W-UNI-24VDC	102	102	43	PSB-60W-UNI-24VDC
48	48	20	PSB-40W-UNI-24VDC	105	105	44	PSB-60W-UNI-24VDC
51	51	21	PSB-40W-UNI-24VDC	108	108	45	PSB-60W-UNI-24VDC
54	54	23	PSB-40W-UNI-24VDC	111	111	46	PSB-60W-UNI-24VDC
57	57	24	PSB-40W-UNI-24VDC	114	114	48	PSB-60W-UNI-24VDC
60	60	25	PSB-40W-UNI-24VDC	117	117	49	PSB-60W-UNI-24VDC
63	63	26	PSB-40W-UNI-24VDC	120	120	50	PSB-60W-UNI-24VDC
66	66	28	PSB-40W-UNI-24VDC				

*Maximum Chrome Length **Maximum Shipping Length

5 WATT 100°		7 WATT 100°		10 WATT 100°	
DISTANCE	FOOT CANDLES	DISTANCE	FOOT CANDLES	DISTANCE	FOOT CANDLES
1'	152	1'	251	1'	279
1.5'	100	1.5'	165	1.5'	183
2'	74	2'	121	2'	136
3'	47	3'	79	3'	87
4'	34	4'	57	4'	62
5'	25	5'	43	5'	47
6'	20	6'	34	6'	37
7'	15	7'	27	7'	29
8'	13	8'	23	8'	24



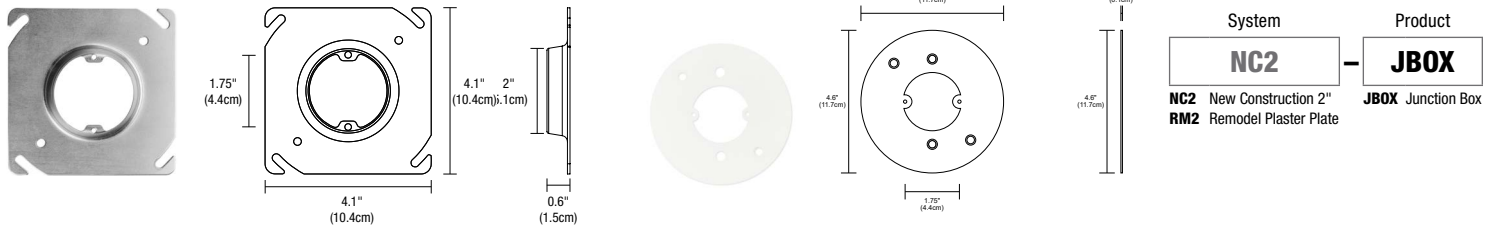
PROJECT		FIXTURE TYPE		DATE	
---------	--	--------------	--	------	--

COMPONENTS Swag Bar & Hook, Swag Hook, and T-Bar are compatible with all Power Canopy options and may be required based on lighting design and application

REV 07.08.20

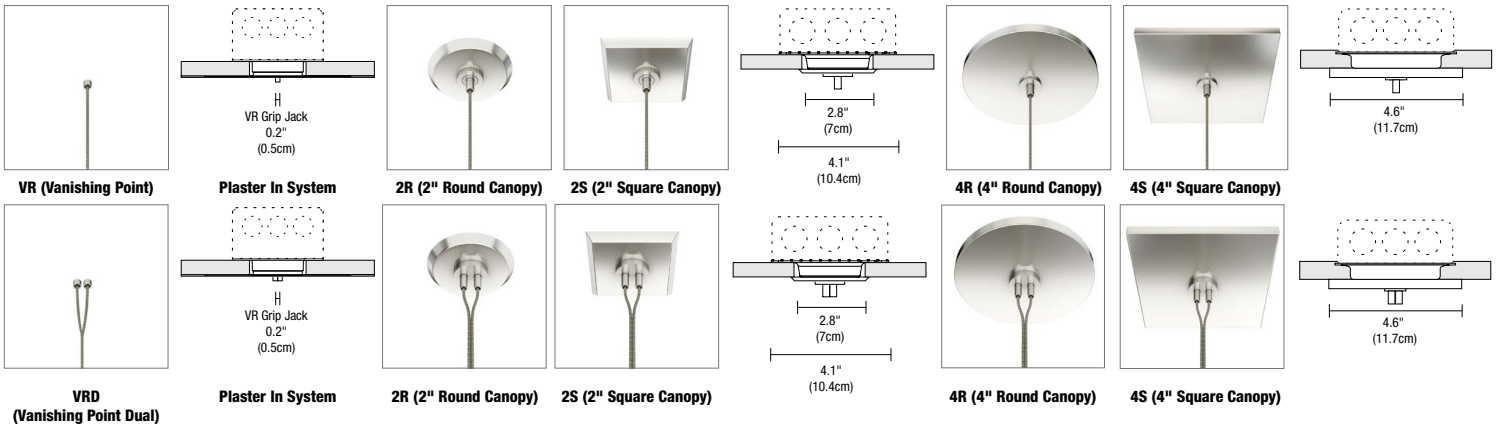
NEW CONSTRUCTION & REMODEL 2" COVER FOR 4" SQUARE JUNCTION BOX

The New Construction NC2-JBOX Cover is included with the 2" Round and Square Canopies and is not required for the 4" Square Canopies. NC2 New Construction Junction Box Cover mounts to a standard 4" Electrical Box or Octagon Box, converting it to a 2" Plaster Ring for use with the 2R (Round) or 2S (Square) Canopy. The Remodel RM2-JBOX Plaster Plate cover is used with an existing 4" Square Junction Box and standard Round Plaster Ring. The PS-60L-ELV-24VDC (50 Watt IC, 60 Watt Non-IC) will fit inside the NC2 or RM2-JBOX Cover and Electrical Junction Box for a flush look.

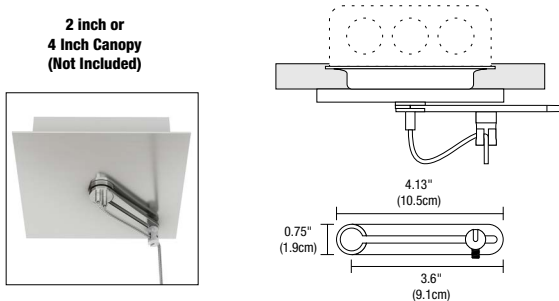


NOVA REMOTE POWER CANOPIES (INCLUDED)

Canopies are included with Canopy ordering code. The 2" Round and Square Canopy includes a special Plaster Ring NC2-JBOX (above). The 4" Square or Round Canopy fits on a standard 4" Electrical Box with Round Plaster Ring and the PS-60L-ELV-24VDC 50 Watt IC, 60 Watt Non-IC) will fit inside the NC2 or RM2-JBOX Cover and Electrical Junction Box for a flush look. Vanishing Point Plaster in system with No Canopy, only see cable going through drywall ceiling with GJ24.

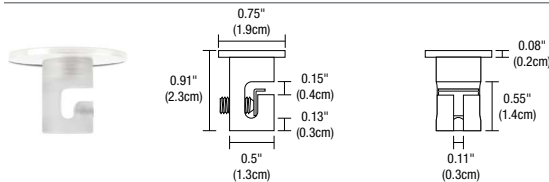
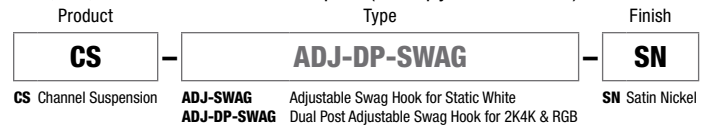


2 inch or 4 inch Canopy (Not Included)



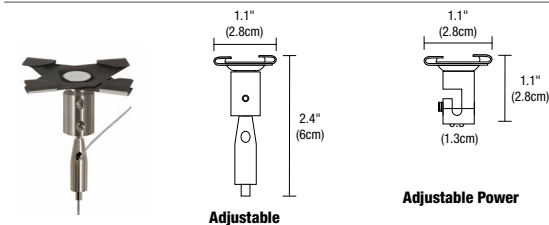
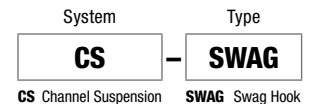
CHANNEL SUSPENSION ADJUSTABLE SWAG BAR AND HOOK

Channel Suspension Adjustable Swag Bar and Hook allows a cable to form a straight connection to the channel when the Power Canopy is not located directly above the fixture. Use when you have two or more canopies (power supplies) on the same fixture run. The Adjustable Swag Hook is compatible with the 2R, 2S, 4R and 4S Power Canopies (Canopy not included).



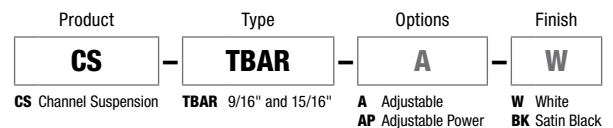
CHANNEL SUSPENSION SWAG HOOK

The clear plastic Swag Hook extends a cable from an electrical box that is not located directly above desired fixture location.



CHANNEL SUSPENSION ADJUSTABLE T-BAR CLIP

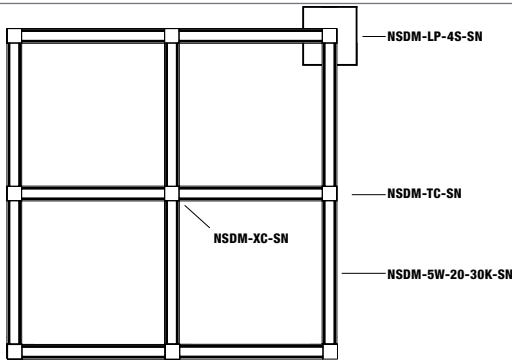
Channel Suspension Adjustable T-Bar Clip mounts to T-Bar grid ceilings. Available in Satin Nickel Hardware as Adjustable Power and Non-Power versions.



PROJECT	FIXTURE TYPE	DATE
---------	--------------	------

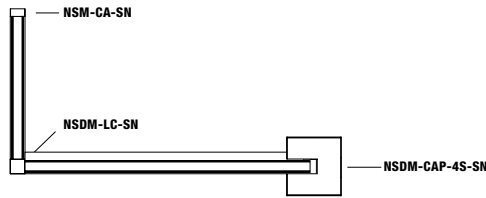
Components: Power End Cap, End Cap, Joining Connector, and Raceway Channel

Indicates 24VDC Power Flow



Modular Configurations

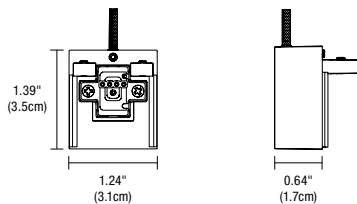
Use L, T, X, and Y connector to design any Modular formation.



For custom design and layout assistance, send drawings to design@PureEdgeLighting.com.

End Cap Power Cable with Canopy or with No Canopy

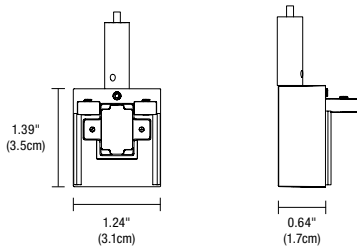
End Cap Power Connector joins the Nova Suspension Modular Downlight and electrically provides power from a remote power supply through the Power canopy or use the EZ ordering code for no canopy and surface mount power canopies (sold separately). Includes 12 feet of power cable, which easily adjusts at canopy with the push-in grip jack connector.



System	Type	Power Canopy	Finish
NSM Nova Suspension Modular Downlight	CAP End Cap Power	2R	SN
	2R 2.8" Round Canopy	2RT 2.8" Round Canopy w/ Two Pair Wire for 2K4K	SN Satin Nickel
	2S 2.8" Square Canopy	2ST 2.8" Square Canopy w/ Two Pair Wire for 2K4K	BK Satin Black
	4R 4.6" Round Canopy	4RT 4.6" Round Canopy w/ Two Pair Wire for 2K4K	WH White
	4S 4.6" Square Canopy	4ST 4.6" Square Canopy w/ Two Pair Wire for 2K4K	CH Chrome
	EZ End of cable with no canopy, used for surface mount power supplies	VRT Vanishing Point Plaster in system with No Canopy w/ Two Pair Wire for 2K4K	SA Satin Aluminum
	VR Vanishing Point Plaster in system with No Canopy, only see cable going through drywall ceiling		

End Cap

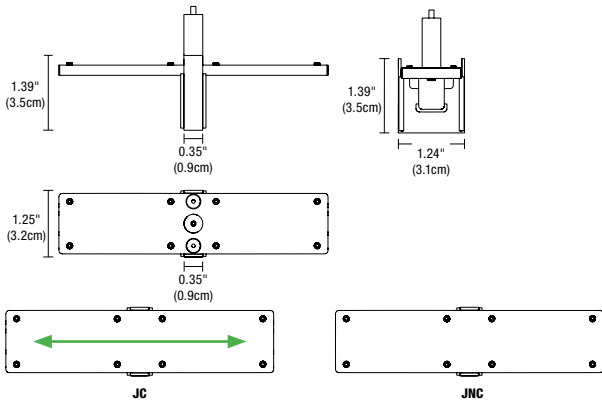
End Cap terminates the Nova Suspension Modular Downlight run and provides finished look. Includes 12 feet of adjustable aircraft cable and ceiling anchors.



System	Type	Finish
NSM Nova Suspension Modular Downlight	CA End Cap	SN
		SN Satin Nickel
		BK Satin Black
		WH White
		CH Chrome
		SA Satin Aluminum

Joining Connector

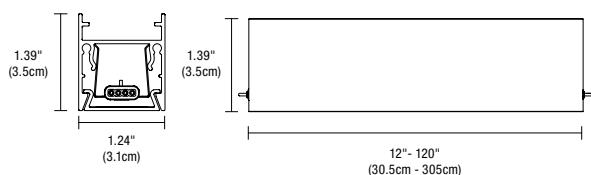
Joining Connector joins two sections of Nova Suspension Modular Downlight in straight runs. It is electrically powered from the previous channel (JC) or isolates the power (JNC). Includes 12 feet of aircraft cable and ceiling anchors.



System	Type	Finish
NSM Nova Suspension Modular Downlight	JC Joining Connector JNC Joining Non-Conductive Connector	SN
		SN Satin Nickel
		BK Satin Black
		WH White
		CH Chrome
		SA Satin Aluminum

Blank Channel - Horizontal

Blank Horizontal Channel physically joins two Nova Suspension Modular Downlight sections, providing structure to desired horizontal configurations without illumination. It also conducts power from one section to another. Includes 12 feet of aircraft cable, which easily adjusts at connector.

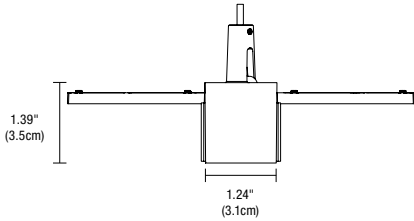


System	Type	Length in Inches	Finish
NSM Nova Suspension Modular Downlight	BCH Blank Channel Horizontal	120	SN
		12-120 Order in 12 inch increments up to 120 inches. May be custom ordered in 3, 5, 8 or 10 inch increments.	SN Satin Nickel

PROJECT	FIXTURE TYPE	DATE
---------	--------------	------

Components: Straight Connectors

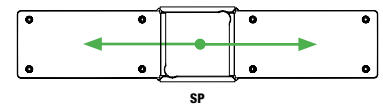
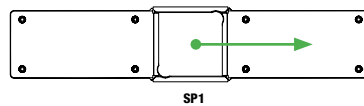
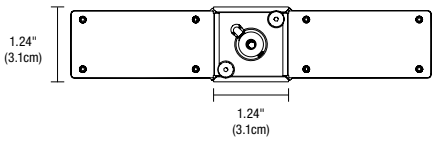
Indicates 24VDC Power Flow →



Straight Power Connector Cable with Canopy or without Canopy

Straight Power Connector joins two sections of Nova Suspension Modular Downlight channels, for creating endless linear lighting configurations. Use as a center power feed (SP) electrically powering two sections from a remote power supply or feed the power to one section (SP1). Choose the 2 or 4 inch canopy Straight Center or use the EZ ordering code for no canopy and surface mount power canopies (sold separately). Includes 12 feet of power cable and 12 feet of coaxial power cable which easily adjusts at the canopy with the push-in grip jack connector.

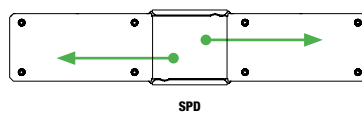
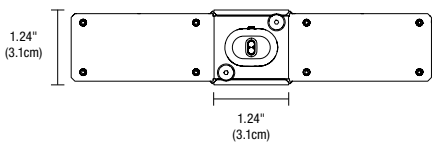
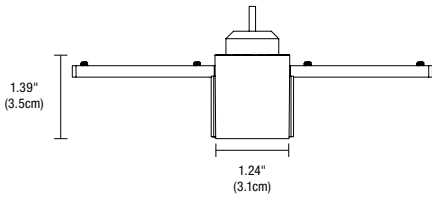
System	Type	Power Canopy	Finish
NSM Nova Suspension Modular Downlight	CAP Straight Center Power Connector, Conductive in 2 Sections SP1 Straight Power Connector, Conductive in 1 Section	2R 2.8" Round Canopy 2S 2.8" Square Canopy 4R 4.6" Round Canopy 4S 4.6" Square Canopy EZ End of cable with no canopy, used for surface mount power supplies VR Vanishing Point Plaster in system with No Canopy, only see cable going through drywall ceiling	SN Satin Nickel
		2RT 2.8" Round Canopy w/ Two Pair Wire for 2K4K 2ST 2.8" Square Canopy w/ Two Pair Wire for 2K4K 4RT 4.6" Round Canopy w/ Two Pair Wire for 2K4K 4ST 4.6" Square Canopy w/ Two Pair Wire for 2K4K EZ End of Cable, with no Canopy, used for surface mount transformers, w/ Two Pair Wire for 2K4K VRT Vanishing Point Plaster in system with No Canopy w/ Two Pair Wire for 2K4K	



Straight Power Connector Dual Circuit with Canopy

Straight Power Connector Dual Circuit joins two sections of Nova Suspension Modular Downlight channels, to create endless linear lighting configurations. It electrically powers two sections on separate circuits from two remote power supplies. Includes 12 feet of coaxial power cables, which easily adjust at canopy with the push-in grip jack connector. Dynamic Tunable White (2K4K) not available with Dual Feed Canopies.

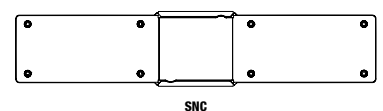
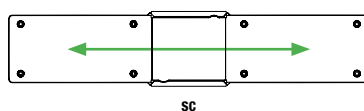
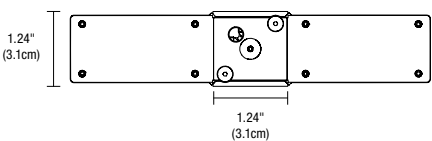
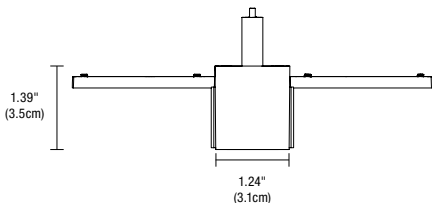
System	Type	Power Canopy	Finish
NSM Nova Suspension Modular Downlight	SPD Straight Power Connector, Dual Circuit	2R 2.8" Round Canopy 2S 2.8" Square Canopy 4R 4.6" Round Canopy 4S 4.6" Square Canopy EZ End of cable with no canopy, used for surface mount power supplies VR Vanishing Point	SN Satin Nickel



Straight Connector

Straight Connector joins two sections of Nova Suspension Modular Downlight. It is electrically powered from the previous channel (SC) or isolates the power (SNC). Includes 12 feet of adjustable aircraft cable and ceiling anchors.

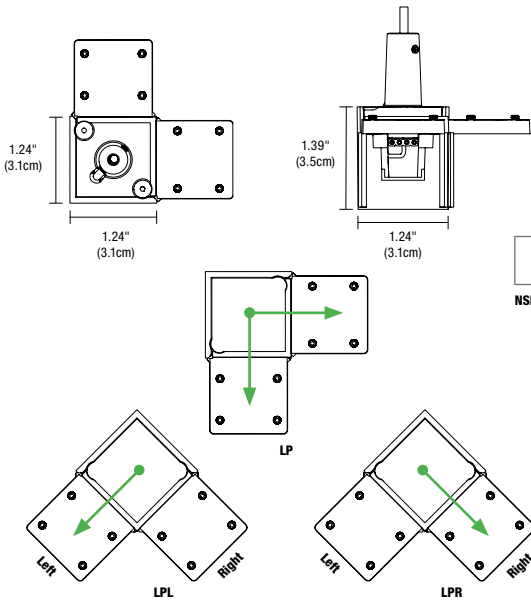
System	Type	Finish
NSM Nova Suspension Modular Downlight	SC Straight Conductive Connector SNC Straight Non-Conductive Connector	SN Satin Nickel



PROJECT		FIXTURE TYPE		DATE	
---------	--	--------------	--	------	--

Components: L-Shaped Connectors

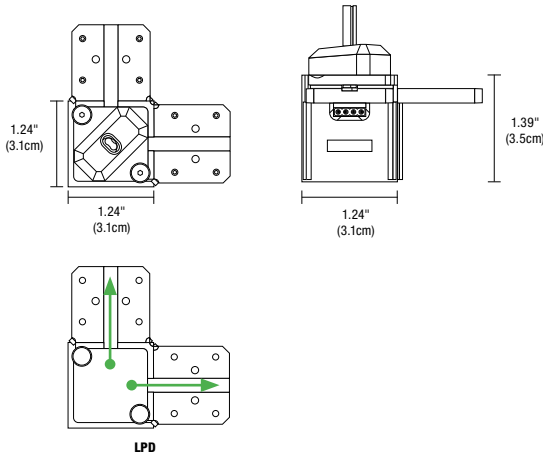
Indicates 24VDC Power Flow



L-Shaped Power Connector with Canopy

L-Shaped Power Connector joins two sections of Nova Suspension Modular Downlight at 90 degrees. It electrically powers either the left section (LPL), right section (LPR) or both sections (LP) from a remote power supply. Includes power canopy and 12 feet of coaxial power cable easily adjusts at canopy with the push-in grip jack connector.

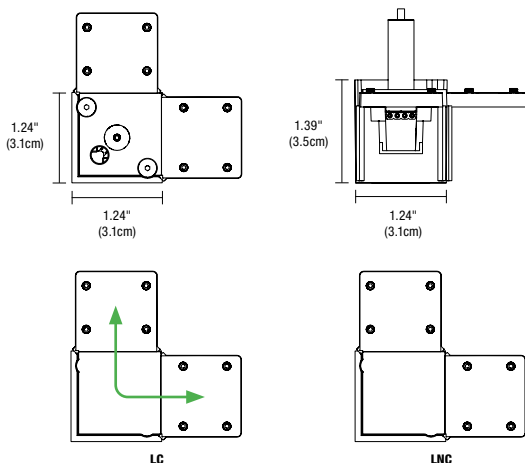
System	Type	Power Canopy	Finish
NSM	LP	2R	SN
NSM Nova Suspension Modular Downlight	LP L-Shaped Power Connector, Conductive on 2 Sections LPL L-Shaped Power Connector, Conductive on Left Section LPR L-Shaped Power Connector, Conductive on Right Section	2R 2.8" Round Canopy 2S 2.8" Square Canopy 4R 4.6" Round Canopy 4S 4.6" Square Canopy EZ End of cable with no canopy, used for surface mount power supplies VR Vanishing Point Plaster in system with No Canopy, only see cable going through drywall ceiling	SN Satin Nickel
		2RT 2.8" Round Canopy w/ Two Pair Wire for 2K4K 2ST 2.8" Square Canopy w/ Two Pair Wire for 2K4K 4RT 4.6" Round Canopy w/ Two Pair Wire for 2K4K 4ST 4.6" Square Canopy w/ Two Pair Wire for 2K4K EZ End of Cable, with no Canopy, used for surface mount transformers, w/ Two Pair Wire for 2K4K VRT Vanishing Point Plaster in system with No Canopy w/ Two Pair Wire for 2K4K	



L-Shaped Power Connector Dual Circuit with Canopy

Straight Power Connector Dual Circuit joins two sections of Nova Suspension Modular Downlight channels at 90 degrees, for creating endless linear lighting configurations. It electrically powers two sections on separate circuits from two remote power supplies. Includes power canopy and 12 feet of power cable, which easily adjusts at the canopy with the push-in grip jack connector. Dynamic Tunable White (**2K4K**) not available with Dual Feed Canopies.

System	Type	Power Canopy	Finish
NSM	LPD	2R	SN
NSM Nova Suspension Modular Downlight	LPD L-Shaped Power Connector, Dual Circuit	2R 2.8" Round Canopy 2S 2.8" Square Canopy 4R 4.6" Round Canopy 4S 4.6" Square Canopy EZ End of cable with no canopy, used for surface mount power supplies VR Vanishing Point	SN Satin Nickel



L-Shaped Connector

L-Shaped Connector joins two sections of Nova Suspension Downlight at 90 degrees apart, conducting the power (LC) or isolating the power (LNC). Includes 12 feet of adjustable aircraft cable and ceiling anchors.

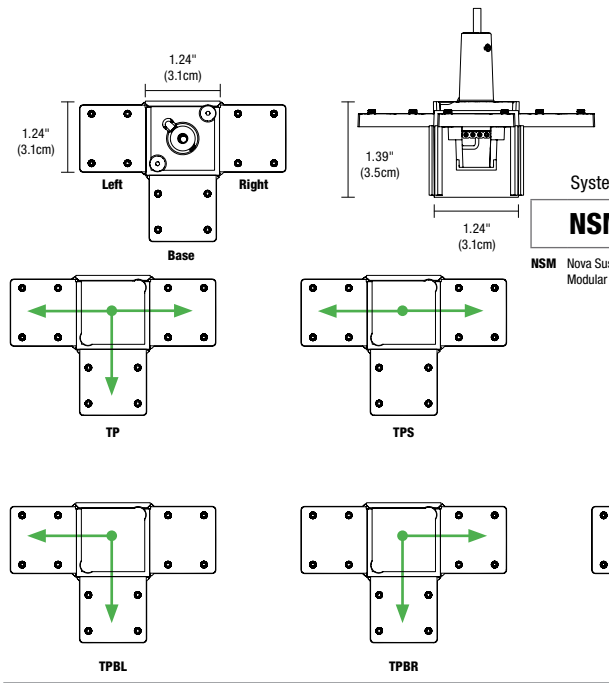
System	Type	Finish
NSM	LC	SN
NSM Nova Suspension Modular Downlight	LC L-Shaped Conductive Connector LNC L-Shaped Non-Conductive Connector	SN Satin Nickel

PROJECT	FIXTURE TYPE	DATE
---------	--------------	------

Components: T-Shaped Connectors

T-Shaped Power Connector with Canopy

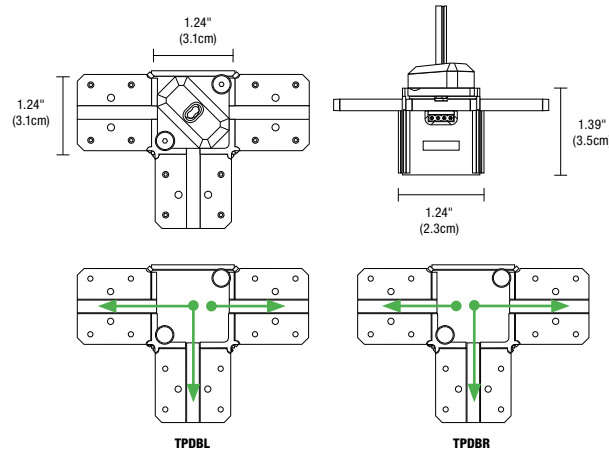
T-Shaped Power Connector joins three sections of Nova Suspension Modular Downlight at 90 degrees. It electrically conducts the power from a remote power supply to section(s): all sections (TP), straight left to right (TPS), base to left (TPBL), base to right (TPBR), base (TPB), left (TPL) or right (TPR). Includes power canopy and 12 feet of coaxial power cable easily adjusts at the canopy with the push-in grip jack connector.



System	Type	Power Canopy	Finish
NSM	TP	2R	SN
NSM Nova Suspension Modular Downlight	TP T-Shaped Power Connector, Conductive on 3 Sections TPS T-Shaped Power Connector, Conductive through Left & Right Sections TPBL T-Shaped Power Connector, Conductive on Base & Left Sections TPBR T-Shaped Power Connector, Conductive on Base & Right Sections TPB T-Shaped Power Connector, Conductive on Base TPL T-Shaped Power Connector, Conductive on Left Sections TPR T-Shaped Power Connector, Conductive on Right Side	2R 2.8" Round Canopy 2S 2.8" Square Canopy 4R 4.6" Round Canopy 4S 4.6" Square Canopy EZ End of cable with no canopy, used for surface mount power supplies VR Vanishing Point Plaster in system with No Canopy, only see cable going through drywall ceiling	SN Satin Nickel 2RT 2.8" Round Canopy w/ Two Pair Wire for 2K4K 2ST 2.8" Square Canopy w/ Two Pair Wire for 2K4K 4RT 4.6" Round Canopy w/ Two Pair Wire for 2K4K 4ST 4.6" Square Canopy w/ Two Pair Wire for 2K4K EZ End of Cable, with no Canopy, used for surface mount transformers, w/ Two Pair Wire for 2K4K VRT Vanishing Point Plaster in system with No Canopy w/ Two Pair Wire for 2K4K

T-Shaped Power Connector Dual Circuit with Canopy

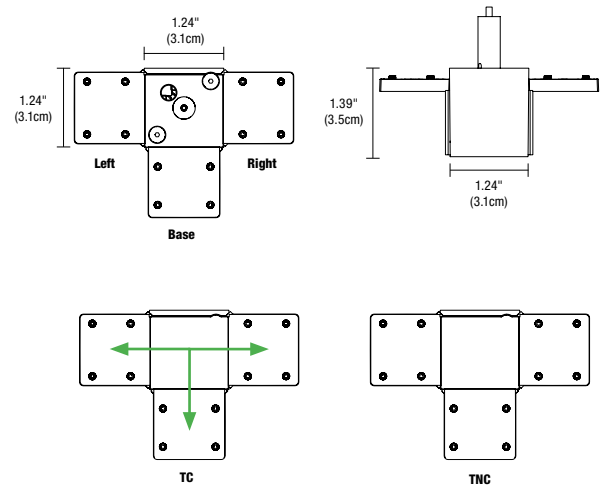
T-Shaped Power Connector Dual Circuit joins two sections of Nova Suspension Modular Downlight at 90 degrees. It electrically powers the right with one power supply and base to left with second power supply (TPDBR). Includes power canopy and 12 feet of coaxial power cable easily adjusts at the canopy with the push-in grip jack connector. Dynamic Tunable White (2K4K) not available with Dual Feed Canopies.



System	Type	Power Canopy	Finish
NSM	TPDBR	2R	SN
NSM Nova Suspension Modular Downlight	TPDBL T-Shaped Power Connector, Conductive on 3 Sections, Split in Dual Circuits (Left / Base + Right) TPDBR T-Shaped Power Connector, Conductive on 3 Sections, Split in Dual Circuits (Right / Base + Left)	2R 2.8" Round Canopy 2S 2.8" Square Canopy 4R 4.6" Round Canopy 4S 4.6" Square Canopy EZ End of cable with no canopy, used for surface mount power supplies VR Vanishing Point	SN Satin Nickel

T-Shaped Connectors

T-Shaped Connector joins three sections of Nova Suspension Modular Downlight at 90 degrees. It isolates the power of each section (TNC) or electrically conducts the power to section(s): all sections (TC), base to left section (TBL), base to right section (TBR) or straight from left to right section (TS). Includes 12 feet of adjustable aircraft cable and ceiling anchors.

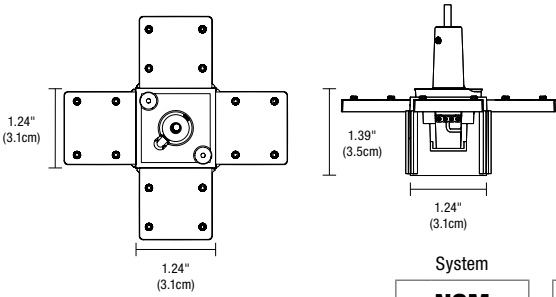


System	Type	Finish
NSM	TC	SN
NSM Nova Suspension Modular Downlight	TC T-Shaped Conductive Connector TNC T-Shaped Non-Conductive Connector TBL T-Shaped Connector, Conductive on Base and Left Sections TBR T-Shaped Connector, Conductive on Base and Right Sections TS T-Shaped Connector, Conductive Straight through Left and Right Sections	SN Satin Nickel

PROJECT		FIXTURE TYPE		DATE	
---------	--	--------------	--	------	--

Components: X-Shaped Connectors

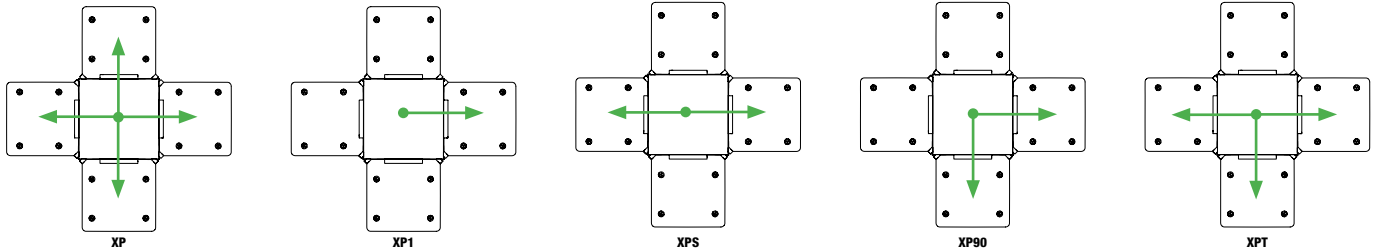
Indicates 24VDC Power Flow



X-Shaped Power Connector with Canopy

X-Shaped Power Connector joins four sections of Nova Suspension Modular Downlight at 90 degrees apart. It electrically conducts the power from a remote power supply to section(s): all sections (XP), one section (XP1), straight through two sections (XPS), two sections with 90 degree turn (XP90), or in a T-Shaped section (XPT). Includes power canopy and 12 feet of coaxial power cable that easily adjusts at the canopy with the push-in grip jack connector.

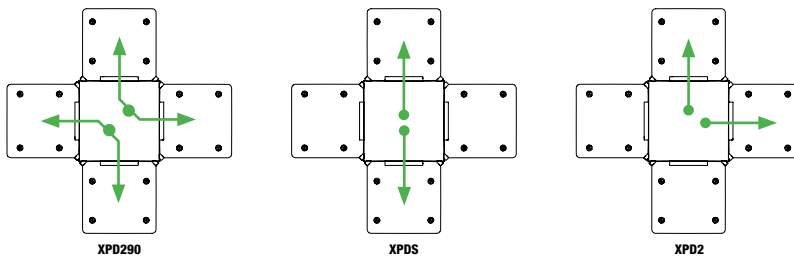
System	Type	Power Canopy	Finish
NSM	XP	2R	SN
NSM Nova Suspension Modular Downlight	XP X-Shaped Power Connector, Conductive on 4 Sections XP1 X-Shaped Power Connector, Conductive on 1 Section XPS X-Shaped Power Connector, Conductive Straight through 2 Sections XP90 X-Shaped Power Connector, Conductive on 2 Sections, 90 Degree Turn XPT X-Shaped Power Connector, Conductive on 3 Sections	2R 2.8" Round Canopy 2S 2.8" Square Canopy 4R 4.6" Round Canopy 4S 4.6" Square Canopy EZ End of cable with no canopy, used for surface mount power supplies VR Vanishing Point Plaster in system with No Canopy, only see cable going through drywall ceiling	SN Satin Nickel
		2RT 2.8" Round Canopy w/ Two Pair Wire for 2K4K 2ST 2.8" Square Canopy w/ Two Pair Wire for 2K4K 4RT 4.6" Round Canopy w/ Two Pair Wire for 2K4K 4ST 4.6" Square Canopy w/ Two Pair Wire for 2K4K EZ End of Cable, with no Canopy, used for surface mount transformers, w/ Two Pair Wire for 2K4K VRT Vanishing Point Plaster in system with No Canopy w/ Two Pair Wire for 2K4K	



X-Shaped Power Connector Dual Circuit with Canopy

X-Shaped Power Connector Dual Circuit joins four sections of Nova Suspension Modular Downlight at 90 degrees apart. It electrically conducts the power from two remote power supplies to section(s): two sections at 90 degree turns (XPD290), two sections in a straight run (XPDS), or two sections in a corner (XPD2). Includes power canopy and 12 feet of coaxial power cable, which easily adjusts at the canopy with the push-in grip jack connector. Dynamic Tunable White (**2K4K**) not available with Dual Feed Canopies.

System	Type	Power Canopy	Finish
NSM	XPD290	2R	SN
NSM Nova Suspension Modular Downlight	XPD290 X-Shaped Power Connector, Conductive on 4 Sections, (2) Power 90 Degree Turns XPDS X-Shaped Power Connector, Conductive on 2 Sections, Straight Power XPD2 X-Shaped Power Connector, Conductive through 2 Sections, 2 Power in Corner	2R 2.8" Round Canopy 2S 2.8" Square Canopy 4R 4.6" Round Canopy 4S 4.6" Square Canopy EZ End of cable with no canopy, used for surface mount power supplies VR Vanishing Point	SN Satin Nickel



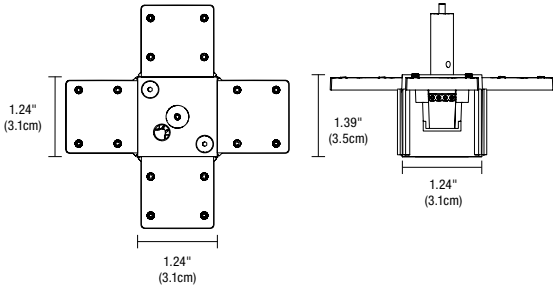
PROJECT		FIXTURE TYPE		DATE	
---------	--	--------------	--	------	--

Components: X-Shaped Connectors

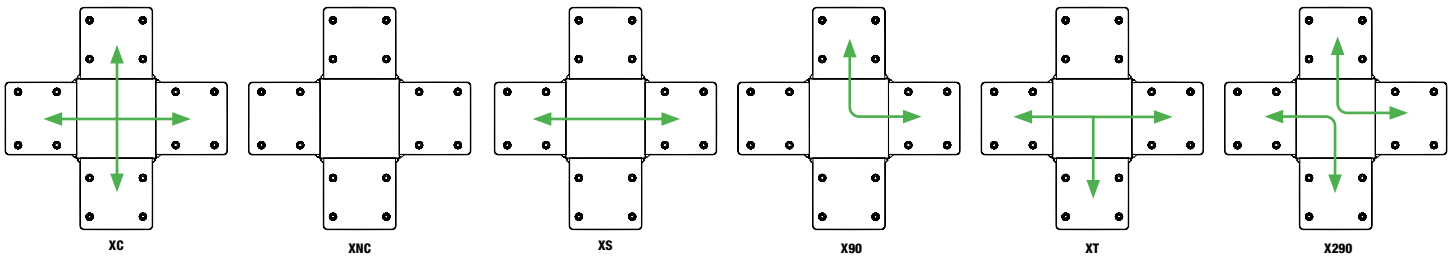
Indicates 24VDC Power Flow

X-Shaped Connector

X-Shaped Connector joins 4 sections of Nova Suspension Modular Downlight at 90 degrees. It isolates the power of each section (XNC) or electrically conducts the power to section(s): all sections (XC), straight through two sections (XS), two sections with 90 degree turn (X90), four sections with two 90 degree turns (X290) or in a T-Shaped section (XT). Includes 12 feet of adjustable aircraft cable and ceiling anchors.



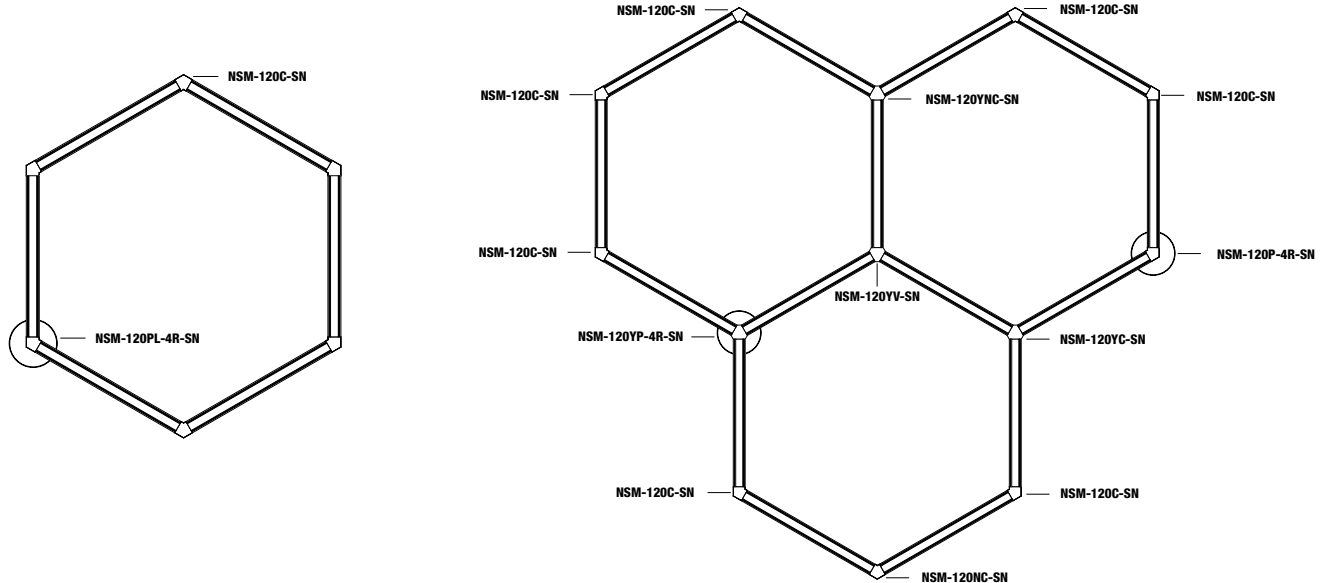
System	Type	Finish
NSM	XC	SN
NSM Nova Suspension Modular Downlight	XC X-Shaped Conductive Connector XNC X-Shaped Non-Conductive Connector XS X-Shaped Connector, Conductive Straight through 2 Sections X90 X-Shaped Connector, Conductive on 2 Sections, 90 Degree Turn XT X-Shaped Connector, Conductive on 3 Sections X290 X-Shaped Connector, Conductive on 4 Sections, (2) 90 Degree Turn	SN Satin Nickel



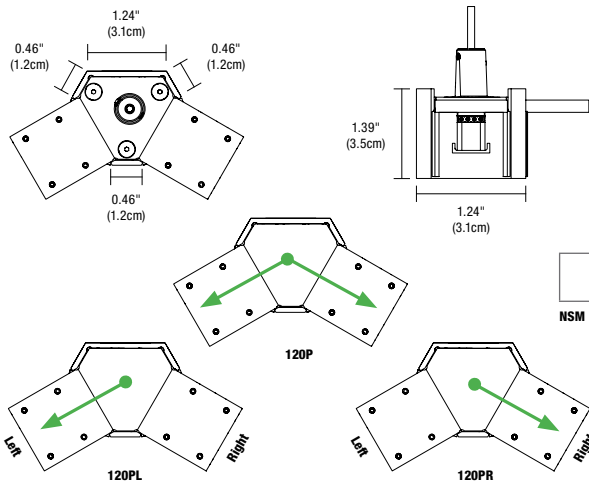
PROJECT	FIXTURE TYPE	DATE	
---------	--------------	------	--

Components: 120 Degree Connectors

Indicates 24VDC Power Flow



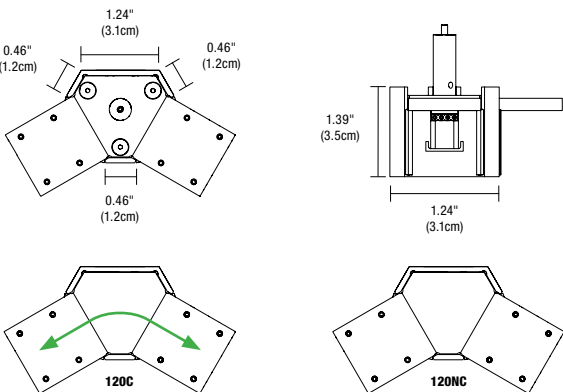
Hexagon Configuration, 120 degree connectors: Use 120P and 120C to design any size from 25 inches to 25 feet



120 Degree Power Connector with Canopy

120 Degree Power Connector joins two sections of Nova Suspension Modular Downlight at 120 degrees apart. It electrically conducts the power from a remote power supply to these section(s): all sections (120P), the left section (120PL) or right section (120PR). Includes power canopy and 12 feet of coaxial power cable that easily adjusts at the canopy with the push-in grip jack connector.

System	Type	Power Canopy	Finish
NSM NSM Nova Suspension Modular Downlight	120P 120 Degree Power Connector, Conductive on Left Sections 120 Degree Power Connector, Conductive on Right Sections	2R 2R 2.8" Round Canopy 2S 2.8" Square Canopy 4R 4.6" Round Canopy 4S 4.6" Square Canopy EZ End of cable with no canopy, used for surface mount power supplies VR Vanishing Point Plaster in system with No Canopy, only see cable going through drywall ceiling	SN SN Satin Nickel
		2RT 2.8" Round Canopy w/ Two Pair Wire for 2K4K 2ST 2.8" Square Canopy w/ Two Pair Wire for 2K4K 4RT 4.6" Round Canopy w/ Two Pair Wire for 2K4K 4ST 4.6" Square Canopy w/ Two Pair Wire for 2K4K EZ End of Cable, with no Canopy, used for surface mount transformers, w/ Two Pair Wire for 2K4K VRT Vanishing Point Plaster in system with No Canopy w/ Two Pair Wire for 2K4K	



120 Degree Connector

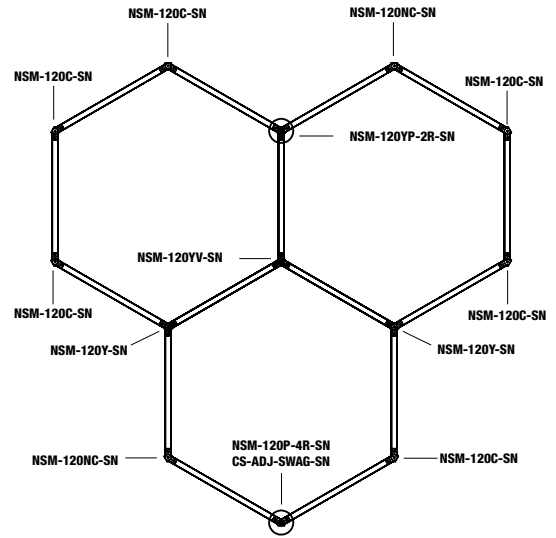
120 Degree Connector joins two sections of Nova Suspension Modular Downlight at 120 degrees apart, conducting the power to all sections (120C) or isolating the power (120NC). Includes 12 feet of adjustable aircraft cable and ceiling anchors.

System	Type	Finish
NSM NSM Nova Suspension Modular Downlight	120C 120 Degree Connector 120NC 120 Degree Non-Conductive Connector	SN SN Satin Nickel

PROJECT		FIXTURE TYPE		DATE	
---------	--	--------------	--	------	--

Components: 120 Degree Y-Shaped Connectors

Indicates 24VDC Power Flow →

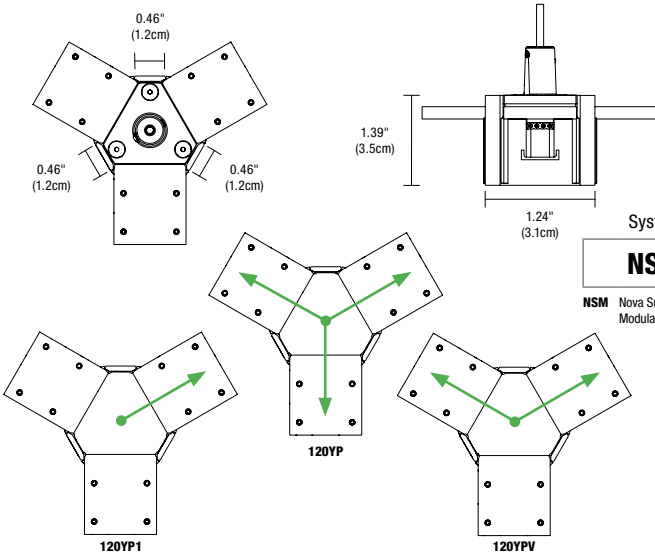


For custom design and layout assistance, send drawings to design@PureEdgeLighting.com.

Honeycomb Configuration, 120 degree connectors: Use 120YP, 120P, 120YC, and 120C to design any size from 25 inches to 25 feet

120 Degree Y-Shaped Power Connector with Canopy

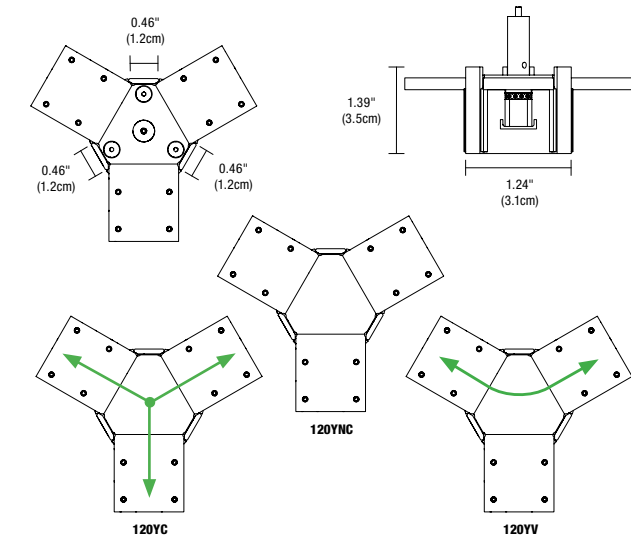
120 Degree Y-Shaped Power Connector joins and powers three sections of Nova Suspension Modular Downlight at 120 degrees apart. It electrically conducts the power from a remote power supply to section(s): all sections (120YP), one section (12YP1) or two sections (120YPV). Choose the 2 or 4 inch canopy. Includes 12 feet of power cable, which easily adjusts at the canopy with the push-in grip jack connector.



System	Type	Power Canopy	Finish
NSM	120YP	2R	SN
NSM Nova Suspension Modular Downlight	120YP1 120 Degree Y-Shaped Power Connector Conductive 1 Section 120YP 120 Degree Y-Shaped Power Connector 120YPV 120 Degree Y-Shaped Power Connector, Conductive 2 Sections	2R 2.8" Round Canopy 2S 2.8" Square Canopy 4R 4.6" Round Canopy 4S 4.6" Square Canopy EZ End of cable with no canopy, used for surface mount power supplies VR Vanishing Point Plaster in system with No Canopy, only see cable going through drywall ceiling	SN Satin Nickel 2RT 2.8" Round Canopy w/ Two Pair Wire for 2K4K 2ST 2.8" Square Canopy w/ Two Pair Wire for 2K4K 4RT 4.6" Round Canopy w/ Two Pair Wire for 2K4K 4ST 4.6" Square Canopy w/ Two Pair Wire for 2K4K EZ End of Cable, with no Canopy, used for surface mount transformers, w/ Two Pair Wire for 2K4K VRT Vanishing Point Plaster in system with No Canopy w/ Two Pair Wire for 2K4K

120 Degree Y-Shaped Connector

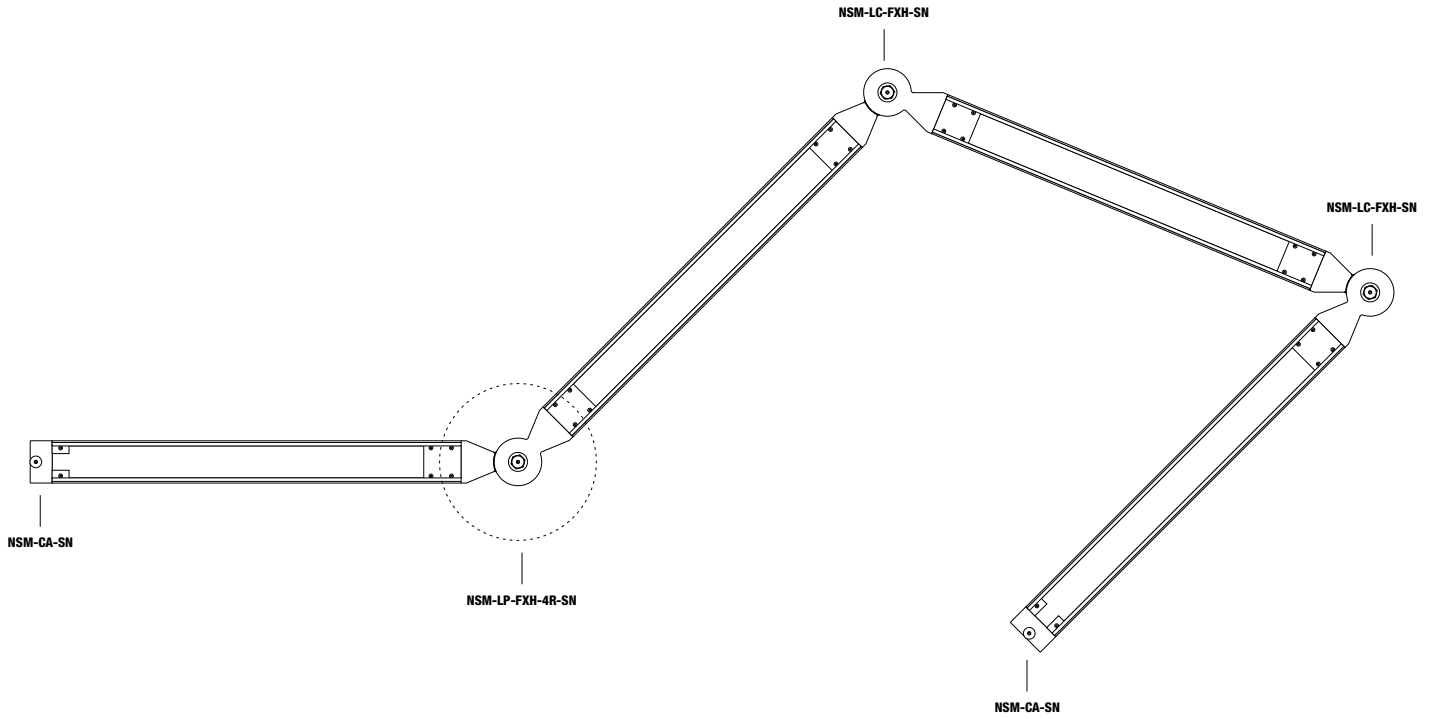
120 Degree Y-Shaped Connector joins three sections of Nova Suspension Modular Downlight at 120 degrees apart. It isolates the power of each section (120YNC); or electrically conducts the power to section(s): all sections (120YC) or straight through two sections (120YV). Includes 12 feet of adjustable aircraft cable and ceiling anchors.



System	Type	Finish
NSM	120YNC	SN
NSM Nova Suspension Modular Downlight	120YNC 120 Degree Y-Shaped Non-Conductive Connector 120YC 120 Degree Y-Shaped Conductive Connector 120YV 120 Degree Y-Shaped Conductive Straight through 2 Sections	SN Satin Nickel

PROJECT	FIXTURE TYPE	DATE
---------	--------------	------

Modular Configurations: Use the flexible connectors to design any flexible modular formation



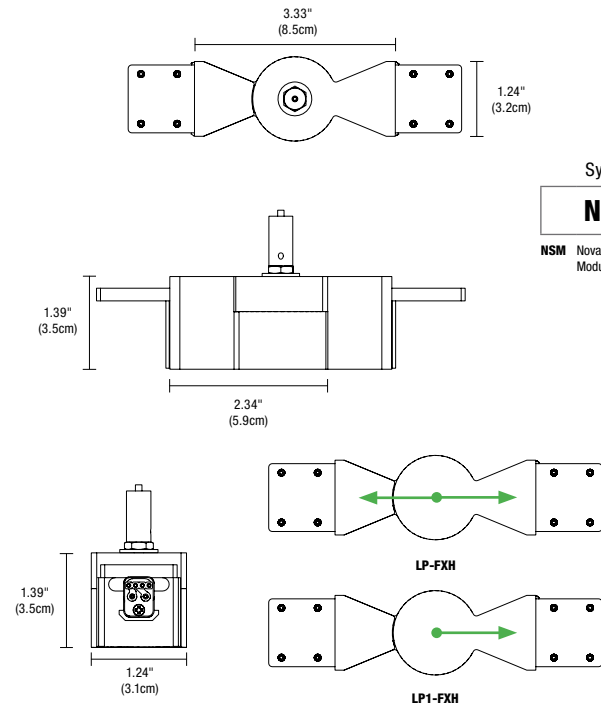
PROJECT	FIXTURE TYPE	DATE

Components: Flexible Connectors

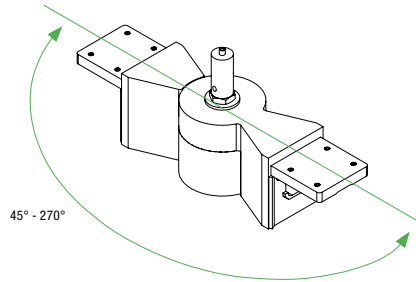
Indicates 24VDC Power Flow

Flexible Horizontal L-Connector with Power Canopy

Flexible Horizontal Power Connector joins two sections of Nova Suspension Modular Downlight at any horizontal angle from 45 to 270 degrees. It is either electrically powered from the previous channel (LP-FXH) or isolates the power (LP1-FXH). Includes 12 feet of power cable, which easily adjusts at the canopy with the push-in grip jack connector.

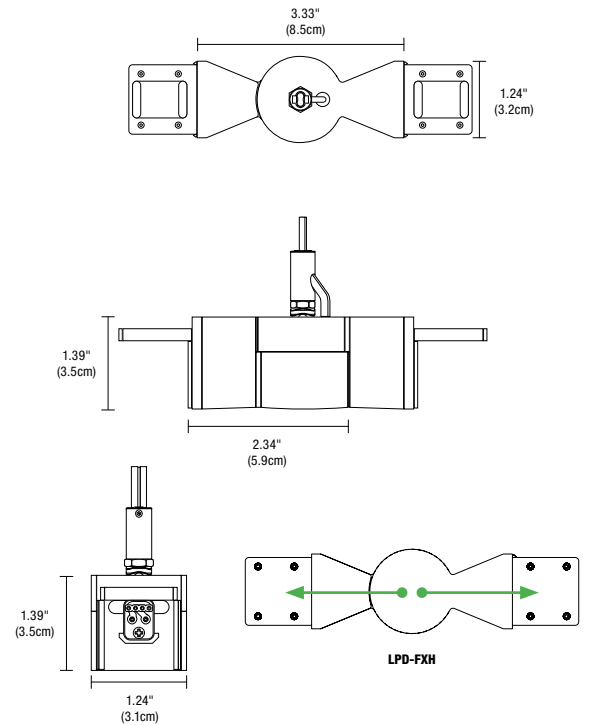


System	Type	Power Canopy	Finish
NSM	LP-FXH	2R	SN
NSM Nova Suspension Modular Downlight	LP-FXH Flexible Horizontal L-Shaped Power Connector, Conductive on 2 Sections LP1-FXH Flexible Horizontal L-Shaped Power Connector, Conductive on 1 Section	2R 2.8" Round Canopy 2S 2.8" Square Canopy 4R 4.6" Round Canopy 4S 4.6" Square Canopy EZ End of cable with no canopy, used for surface mount power supplies VR Vanishing Point Plaster in system with No Canopy, only see cable going through drywall ceiling	SN Satin Nickel
		2RT 2.8" Round Canopy w/ Two Pair Wire for 2K4K 2ST 2.8" Square Canopy w/ Two Pair Wire for 2K4K 4RT 4.6" Round Canopy w/ Two Pair Wire for 2K4K 4ST 4.6" Square Canopy w/ Two Pair Wire for 2K4K EZ End of Cable, with no Canopy, used for surface mount transformers, w/ Two Pair Wire for 2K4K VRT Vanishing Point Plaster in system with No Canopy w/ Two Pair Wire for 2K4K	

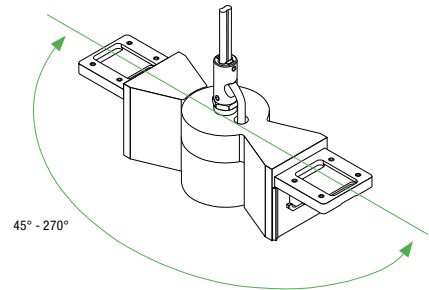


Flexible Horizontal L-Connector Dual Circuit with Power Canopy

Flexible Horizontal Power Connector Dual Circuit joins two sections of Nova Suspension Modular Downlight on separate circuits of any horizontal angle from 45 to 270 degrees. It electrically powers through two sections (LPD-FXH) from two remote power supplies. Includes power canopy and 12 feet of power cable, which easily adjusts at the canopy with the push-in grip jack connector. Dynamic Tunable White (2K4K) not available with Dual Feed Canopies.



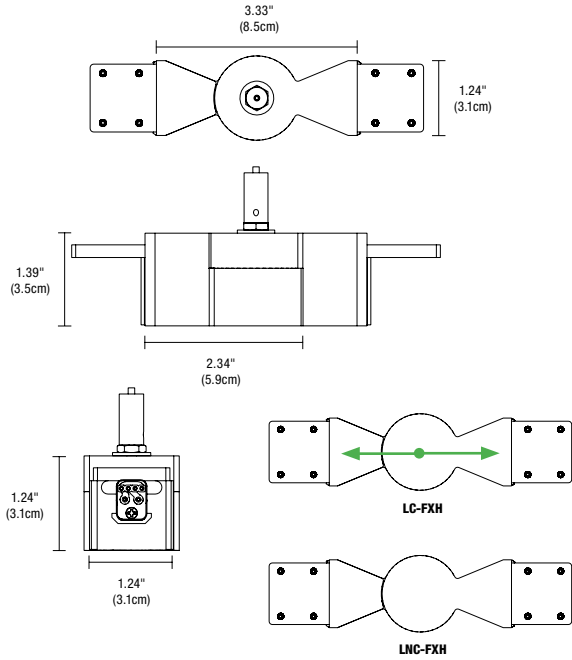
System	Type	Power Canopy	Finish
NSM	LPD-FXH	2R	SN
NSM Nova Suspension Modular Downlight	LPD-FXH Flexible Horizontal L-Shaped Power Connector, Dual Circuit	2R 2.8" Round Canopy 2S 2.8" Square Canopy 4R 4.6" Round Canopy 4S 4.6" Square Canopy EZ End of cable with no canopy, used for surface mount power supplies VR Vanishing Point	SN Satin Nickel



PROJECT	FIXTURE TYPE	DATE
---------	--------------	------

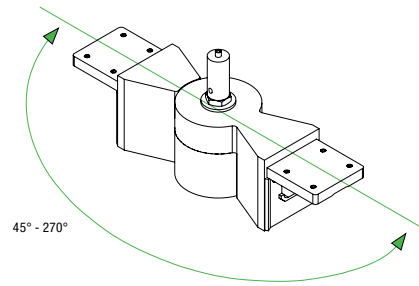
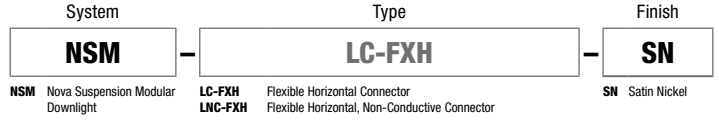
Components: Flexible Horizontal Connectors

Indicates 24VDC Power Flow 



Flexible Horizontal L-Connector

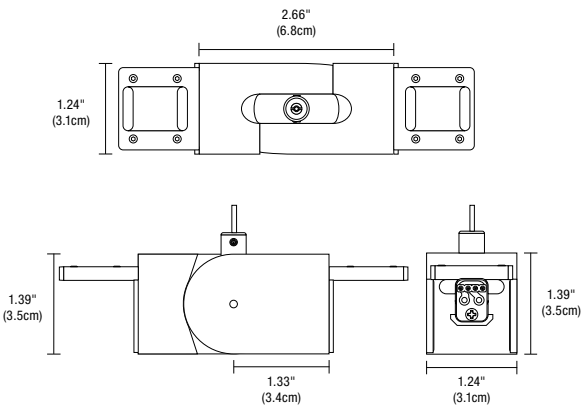
Flexible Horizontal Connector joins two sections of Nova Suspension Modular Downlight at any horizontal angle from 45 to 270 degrees. It is electrically powered from the previous channel (LC) or isolates the power (LNC). Includes 12 feet of adjustable aircraft cable and ceiling anchors.



PROJECT		FIXTURE TYPE		DATE	
---------	--	--------------	--	------	--

Components: Flexible Vertical Connectors and Rotate & Flex Connectors

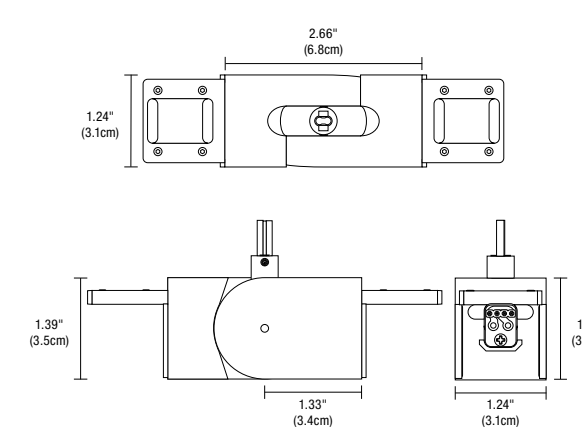
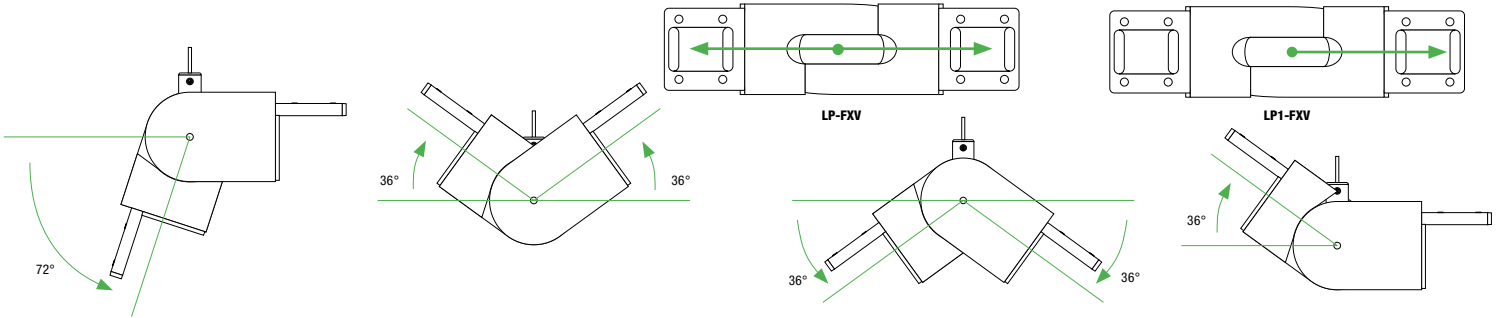
Indicates 24VDC Power Flow



Nova Vertical Flex Power Connector with Canopy

Flexible Vertical Power Connector joins two sections of Nova Suspension Modular at a vertical angle. Upward angle connections have a range of 0 to 36 degrees on each side. Downward angle connections have a range of 0 to 72 degrees when only one side of the connector is used or 0 to 36 degrees on each side when both sides are used. It electrically powers either 1 section (LP1-FXV) or both sections (LP-FXV) from a remote power supply. Includes 12 feet of power cable.

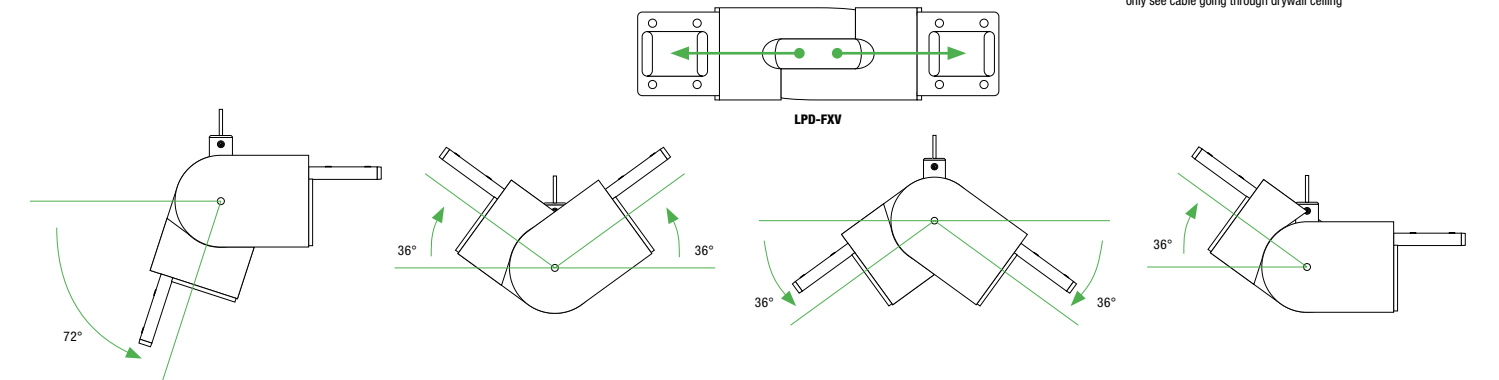
System	Type	Power Canopy	Finish
NSM NSM Nova Suspension Modular Downlight	LP1-FXV LP1-FXV Flexible Horizontal Power Connector, Conductive on 1 Section	2R 2.8" Round Canopy 2S 2.8" Square Canopy 4R 4.6" Round Canopy 4S 4.6" Square Canopy EZ End of cable with no canopy, used for surface mount power supplies VR Vanishing Point Plaster in system with No Canopy, only see cable going through drywall ceiling	SN Satin Nickel
		2RT 2.8" Round Canopy w/ Two Pair Wire for 2K4K 2ST 2.8" Square Canopy w/ Two Pair Wire for 2K4K 4RT 4.6" Round Canopy w/ Two Pair Wire for 2K4K 4ST 4.6" Square Canopy w/ Two Pair Wire for 2K4K EZ End of Cable, with no Canopy, used for surface mount transformers, w/ Two Pair Wire for 2K4K VRT Vanishing Point Plaster in system with No Canopy w/ Two Pair Wire for 2K4K	



Nova Vertical Flex Power Connector with Canopy

Flexible Vertical Power Connector Dual Circuit joins two sections of Nova Suspension Modular at a vertical angle. Upward angle connections have a range of 0 to 36 degrees on each side. Downward angle connections have a range of 0 to 72 degrees when only one side of the connector is used or 0 to 36 degrees on each side when both sides are used. It electrically powers two sections on separate circuits from two remote power supplies. Includes 12 feet of power cable. Dynamic Tunable White (2K4K) not available with Dual Feed Canopies.

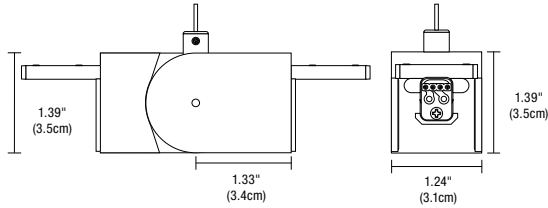
System	Type	Power Canopy	Finish
NSM NSM Nova Suspension Modular Downlight	LPD-FXV LPD-FXV Flexible Horizontal Power Connector, Conductive on 2 Sections, Dual Feed	2R 2.8" Round Canopy 2S 2.8" Square Canopy 4R 4.6" Round Canopy 4S 4.6" Square Canopy EZ End of cable with no canopy, used for surface mount power supplies VR Vanishing Point Plaster in system with No Canopy, only see cable going through drywall ceiling	SN Satin Nickel



PROJECT		FIXTURE TYPE		DATE	
---------	--	--------------	--	------	--

Components: Flexible Vertical Connectors

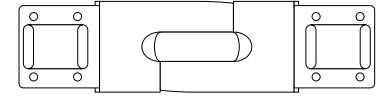
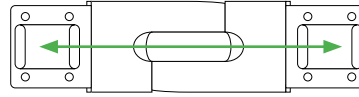
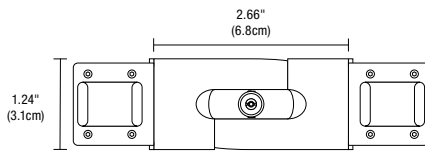
Indicates 24VDC Power Flow



Nova Vertical Flex Connector

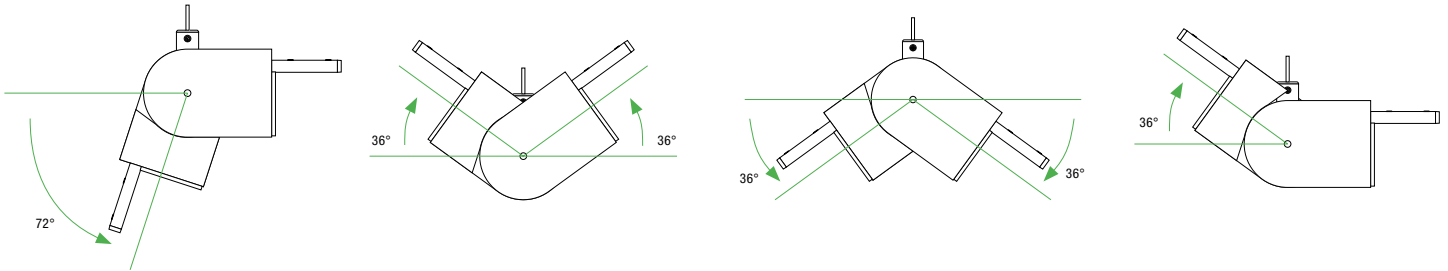
Flexible Vertical Connector joins two sections of Nova Suspension Modular at a vertical angle. Upward angle connections have a range of 0 to 36 degrees on each side. Downward angle connections have a range of 0 to 72 degrees when only one side of the connector is used or 0 to 36 degrees on each side when both sides are used. It is electrically powered from the previous channel (LC-FXV) or isolates the power (LNC-FXV).

System	Type	Finish
NSM	LC-FXV	SN
NSM Nova Suspension Modular Downlight	LC-FXV Flexible Vertical Conductive Connector LNC-FXV Flexible Vertical Non-Conductive Connector	SN Satin Nickel



LC-FXV

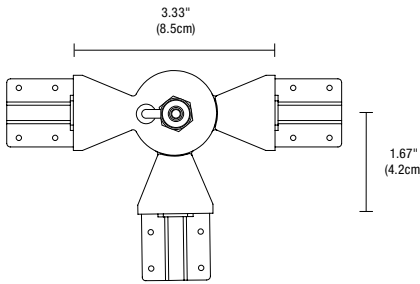
LNC-FXV



PROJECT	FIXTURE TYPE	DATE
---------	--------------	------

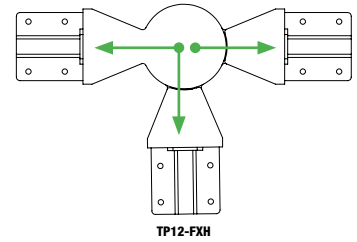
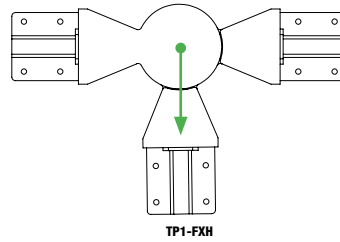
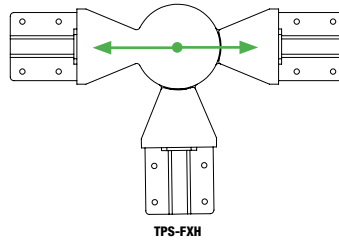
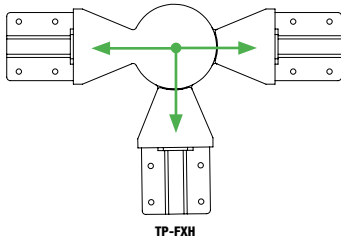
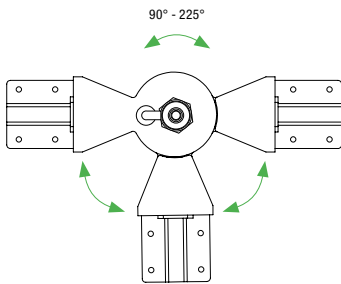
Components: Flexible Vertical Connectors

Indicates 24VDC Power Flow

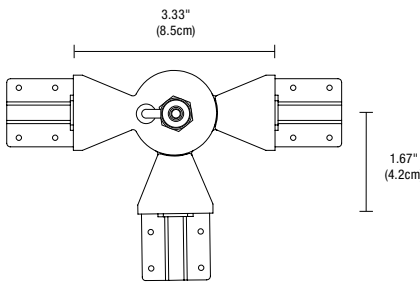


Flexible Horizontal T-Shaped Connector with Power Canopy

Flexible Horizontal Power Connector joins three sections of Nova Suspension Modular Downlight and has a range of 90 to 225 degrees. It electrically powers the system from a remote power supply. Includes power canopy and 12 feet of power cable, which easily adjusts at the canopy with the push-in grip jack connector.

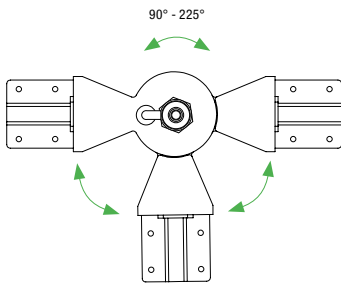


System	Type	Power Canopy	Finish
NSM	TP-FXH	2R	SN
NSM Nova Suspension Modular Downlight	TP-FXH T-Shaped Power Connector, Conductive on 3 Sections TPS-FXH T-Shaped Power Connector, Conductive Straight through 2 Sections TP1-FXH T-Shaped Power Connector, Conductive on 1 Section TP12-FXH T-Shaped Power Connector, Conductive on 1 Section and 2 Sections	2R 2.8" Round Canopy 2S 2.8" Square Canopy 4R 4.6" Round Canopy 4S 4.6" Square Canopy EZ End of cable with no canopy, used for surface mount power supplies VR Vanishing Point Plaster in system with No Canopy, only see cable going through drywall ceiling	SN Satin Nickel
		2RT 2.8" Round Canopy w/ Two Pair Wire for 2K4K 2ST 2.8" Square Canopy w/ Two Pair Wire for 2K4K 4RT 4.6" Round Canopy w/ Two Pair Wire for 2K4K 4ST 4.6" Square Canopy w/ Two Pair Wire for 2K4K EZ End of Cable, with no Canopy, used for surface mount transformers, w/ Two Pair Wire for 2K4K VRT Vanishing Point Plaster in system with No Canopy w/ Two Pair Wire for 2K4K	



Flexible Horizontal T-Shaped Connector with Dual Power Canopy

Flexible Horizontal Dual Power Connector joins three sections of Nova Suspension Modular Downlight and has a range of 90 to 225 degrees. It electrically powers the system from a remote 2 Circuit dual power supply. Includes power canopy and 12 feet of power cable, which easily adjusts at the canopy with the push-in grip jack connector. Dynamic Tunable White (2K4K) not available with Dual Feed Canopies

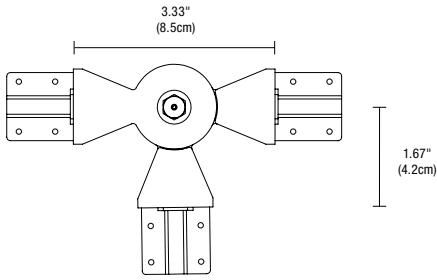


System	Type	Power Canopy	Finish
NSM	TPD2-FXH	2R	SN
NSM Nova Suspension Modular Downlight	TPD2-FXH T-Shaped Power Connector, Conductive on 2 Sections, Dual Circuit TPD12-FXH T-Shaped Power Connector, Conductive on 1 Section and 2 Sections, Dual Circuit	2R 2.8" Round Canopy 2S 2.8" Square Canopy 4R 4.6" Round Canopy 4S 4.6" Square Canopy EZ End of cable with no canopy, used for surface mount power supplies VR Vanishing Point	SN Satin Nickel

PROJECT	FIXTURE TYPE	DATE
---------	--------------	------

Components: Flexible Vertical Connectors

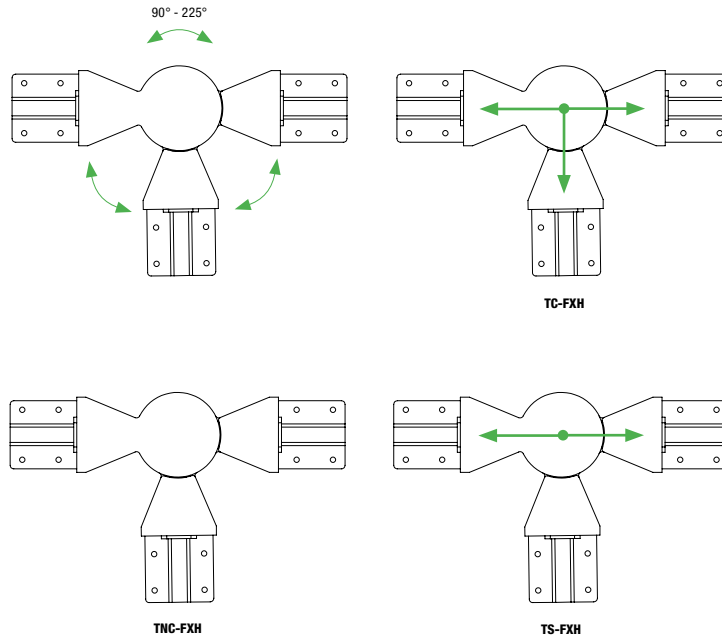
Indicates 24VDC Power Flow 



Flexible Horizontal T-Shaped Connector

Flexible Horizontal Connector joins three sections of Nova Suspension Modular Downlight and has a range of 90 to 225 degrees. Includes 12 feet of adjustable aircraft cable and ceiling anchors.

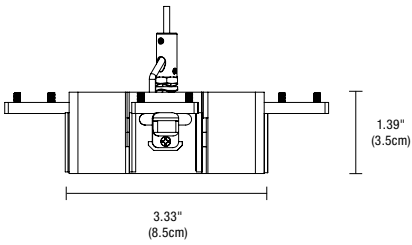
System	Type	Finish
NSM	TC-FXH	SN
NSM Nova Suspension Modular Downlight	TC-FXH Flexible Horizontal T-Shaped Conductive Connector TNC-FXH Flexible Horizontal T-Shaped Non-Conductive Connector TS-FXH Flexible Horizontal T-Shaped Conductive Connector, Straight through Left and Right Sections	SN Satin Nickel



PROJECT	FIXTURE TYPE	DATE
---------	--------------	------

Components: Flexible Horizontal X-Connectors

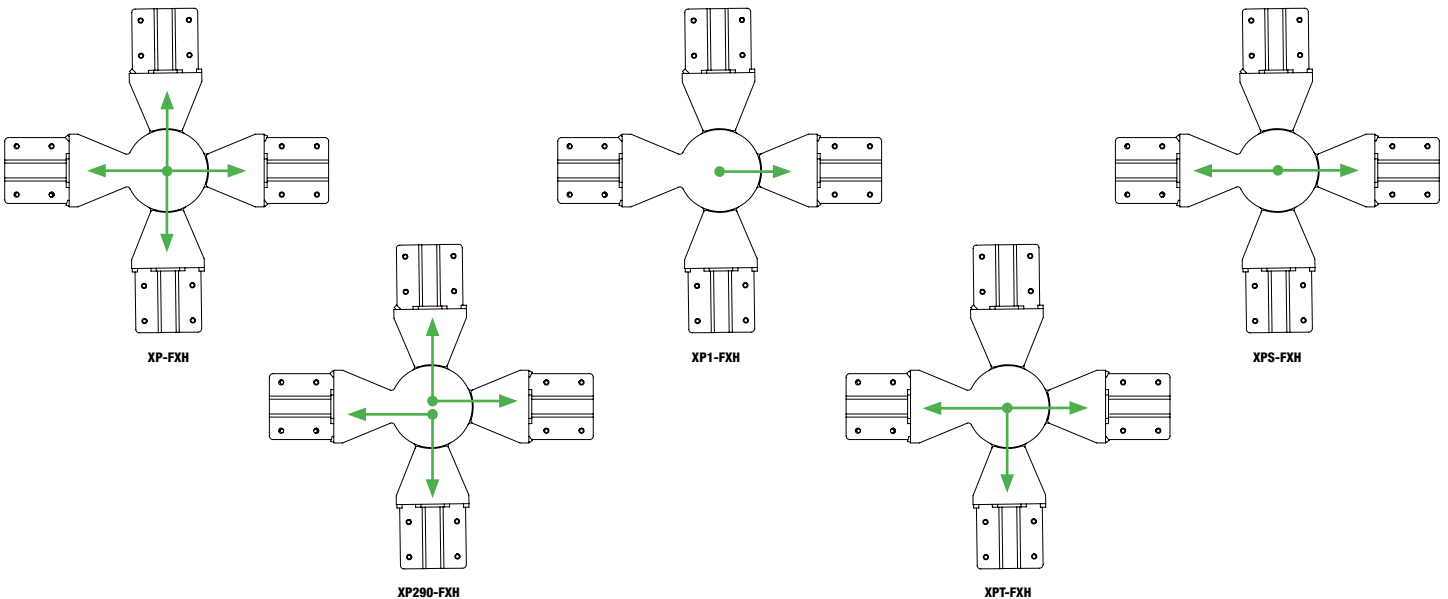
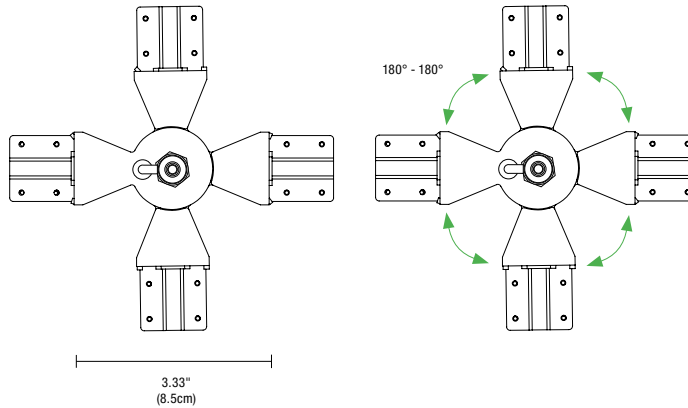
Indicates 24VDC Power Flow



Flexible Horizontal X-Shaped Power Connector with Canopy

Flexible Horizontal Power Connector joins three sections of Nova Suspension Modular Downlight at a range from -180 to 180 degrees. It electrically powers the system from a remote power supply. Includes power canopy and 12 feet of power cable, which easily adjusts at the canopy with the push-in grip jack connector.

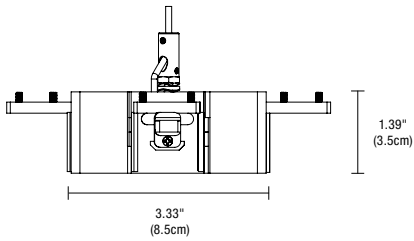
System	Type	Power Canopy	Finish
NSM Nova Suspension Modular Downlight	XP-FXH Flexible Horizontal X-Shaped Power Connector, Conductive on 4 Sections XP1-FXH Flexible Horizontal X-Shaped Power Connector, Conductive on 1 Section XPS-FXH Flexible Horizontal X-Shaped Power Connector, Conductive Straight through 2 Sections XP290-FXH Flexible Horizontal X-Shaped Power Connector, Conductive on 4 Sections, (2) 90 Degree Turns XPT-FXH Flexible Horizontal X-Shaped Power Connector, Conductive on 3 Sections	2R 2.8" Round Canopy 2S 2.8" Square Canopy 4R 4.6" Round Canopy 4S 4.6" Square Canopy EZ No Canopy, for use with Surface Mount Power Supply (Order Separately) VR Vanishing Point Plaster in system with No Canopy, only see cable going through drywall ceiling	SN Satin Nickel 2RT 2.8" Round Canopy w/ Two Pair Wire for 2K4K 2ST 2.8" Square Canopy w/ Two Pair Wire for 2K4K 4RT 4.6" Round Canopy w/ Two Pair Wire for 2K4K 4ST 4.6" Square Canopy w/ Two Pair Wire for 2K4K EZ End of Cable, with no Canopy, used for surface mount transformers, w/ Two Pair Wire for 2K4K VRT Vanishing Point Plaster in system with No Canopy w/ Two Pair Wire for 2K4K



PROJECT	FIXTURE TYPE	DATE
---------	--------------	------

Components: Flexible Horizontal X-Connectors

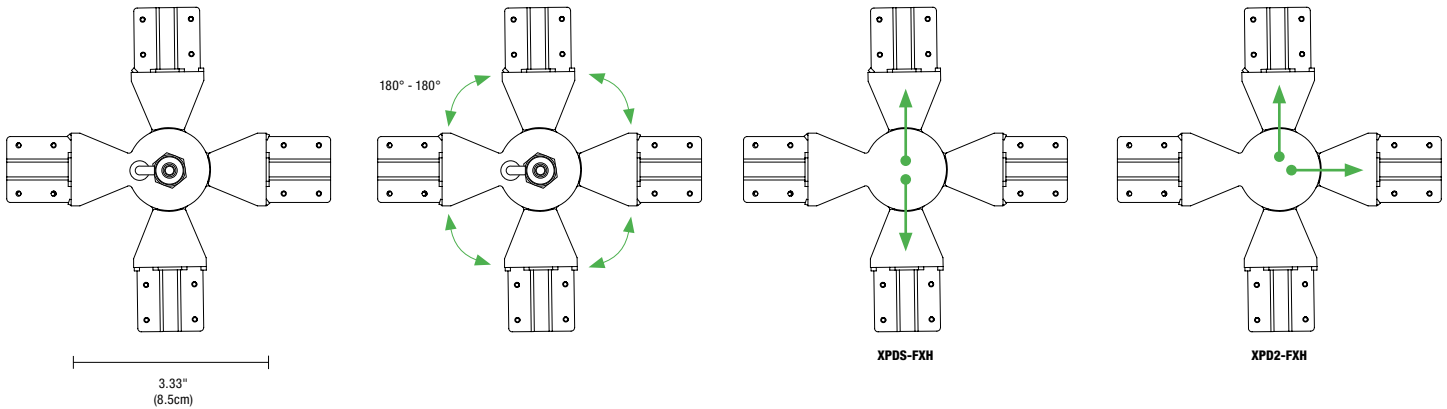
Indicates 24VDC Power Flow



Flexible Horizontal X-Shaped Dual Power Connector with Canopy

Flexible Horizontal Dual Power Connector joins four sections of Nova Suspension Modular Downlight at a range from 180 to 180 degrees. It electrically powers the system from two power supplies (2 Circuit). Includes power canopy and 12 feet of power cable, which easily adjusts at the canopy with the push-in grip jack connector.

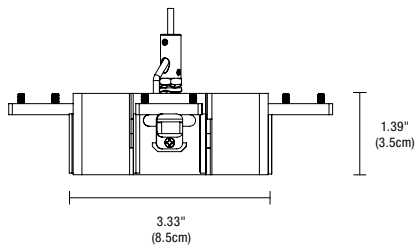
System	Type	Power Canopy	Finish
NSM	XPDS-FXH	2R	SN
NSM Nova Suspension Modular Downlight	XPDS-FXH Flexible Horizontal X-Shaped Power Connector, Conductive on 2 Sections, Straight Power XPD2-FXH Flexible Horizontal X-Shaped Power Connector, Conductive on 2 Sections, Power in Corner	2R 2.8" Round Canopy 2S 2.8" Square Canopy 4R 4.6" Round Canopy 4S 4.6" Square Canopy EZ End of cable with no canopy, used for surface mount power supplies VR Vanishing Point	SN Satin Nickel



PROJECT	FIXTURE TYPE	DATE
---------	--------------	------

Components: Flexible Horizontal X-Connectors

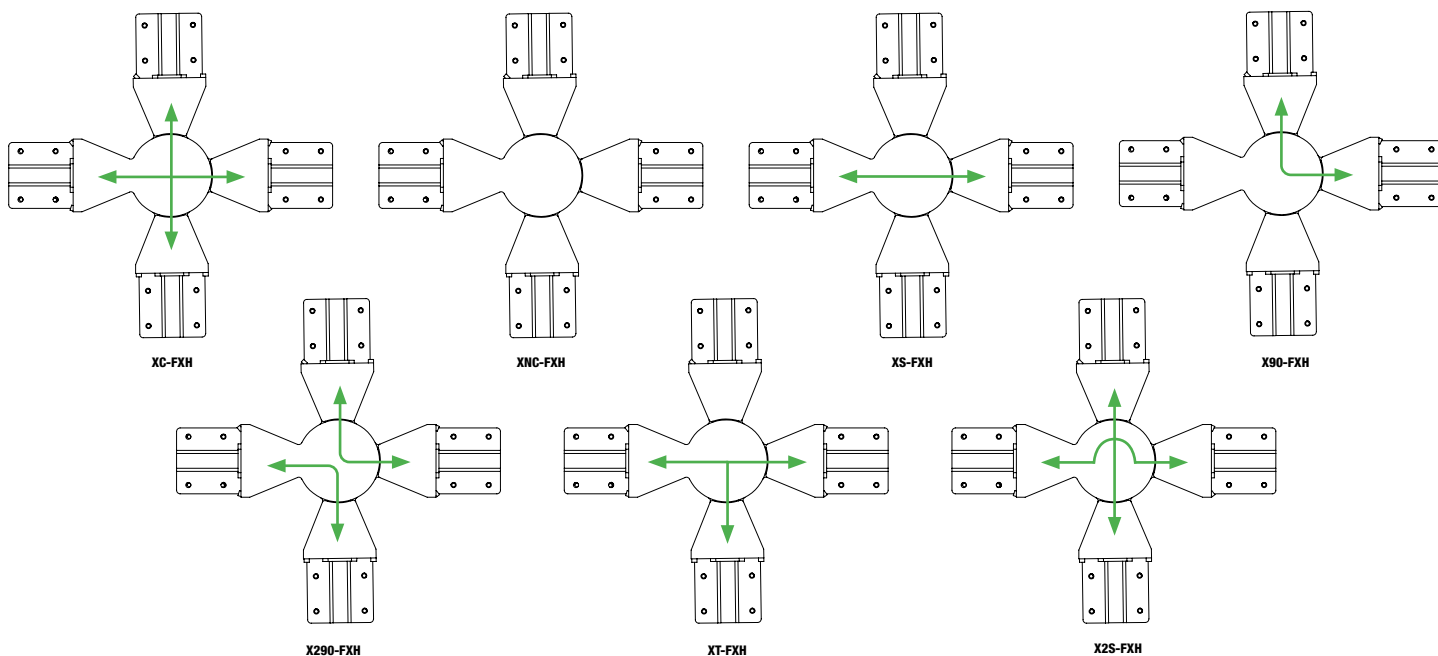
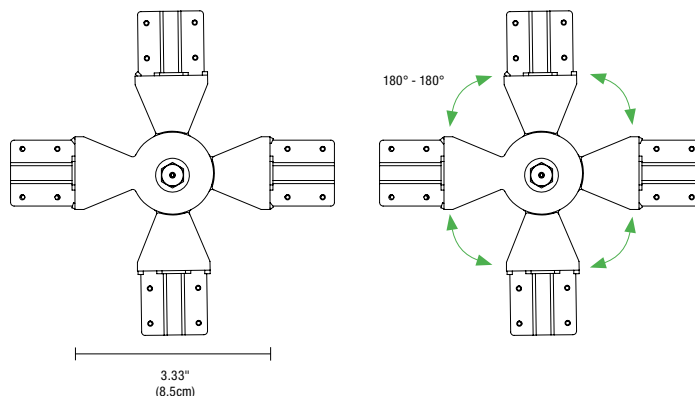
Indicates 24VDC Power Flow



Flexible Horizontal X-Shaped Connectors

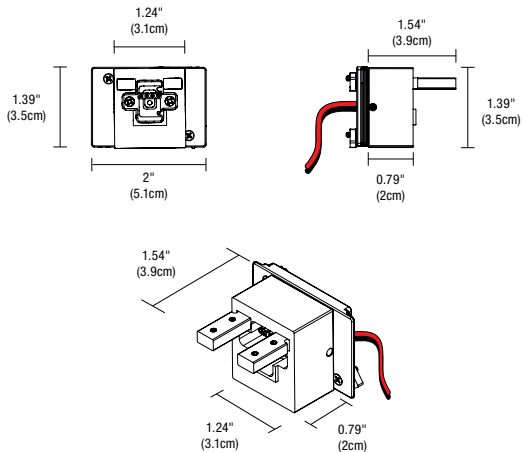
Flexible Horizontal Connector joins four sections of Nova Suspension Modular Downlight at a range from -180 to 180 degrees. Includes 12 feet of adjustable aircraft cable and ceiling anchors.

System	Type	Finish
NSM	XC-FXH	SN
NSM Nova Suspension Modular Downlight	XC-FXH Flexible Horizontal X-Shaped Conductive Connector XNC-FXH Flexible Horizontal X-Shaped Non-Conductive Connector XS-FXH Flexible Horizontal X-Shaped Connector, Conductive Straight through 2 Sections X90-FXH Flexible Horizontal X-Shaped Connector, Conductive on 2 Sections, (1) 90 Degree Turn X290-FXH Flexible Horizontal X-Shaped Connector, Conductive on 4 Sections, (2) 90 Degree Turn XT-FXH Flexible Horizontal X-Shaped Connector, Conductive on 3 Sections X2S-FXH Flexible Horizontal X-Shaped Connector, Conductive on 2 Sections, Straight through	SN Satin Nickel



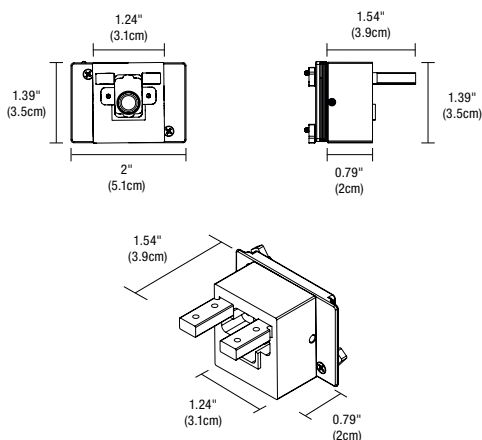
PROJECT	FIXTURE TYPE	DATE
---------	--------------	------

Components: In & Out Connectors allow for lighting designs using both Nova Modular and TruLine 1A



TruLine 1.6A In and Out Power Connector to Nova Modular Ceiling or Suspension
 TruLine 1.6A In and Out Connector joins the end of Nova Modular Ceiling or Suspension systems to Pure Lighting's TruLine 1.6A recessed extrusion.

System	Type	Finish
TL1.6A-IO-NOV	CAP	SN
TL1.6A-IO-NOV TruLine 1.6A to Nova Modular Ceiling or Suspension	CAP End Cap Power	SN Satin Nickel BK Satin Black WH White CH Chrome SA Satin Aluminum

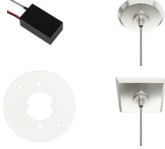
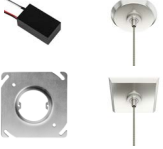









TruLine 1.6A In and Out Connector to Nova Modular Ceiling or Suspension
 TruLine 1.6A In and Out Connector joins and provides power from the end of Nova Modular Ceiling or Suspension systems to Pure Lighting's TruLine 1.6A recessed extrusion.

System	Type	Finish
TL1.6A-IO-NOV	CA	SN
TL1.6A-IO-NOV TruLine 1.6A to Nova Modular Ceiling or Suspension	CA End Cap	SN Satin Nickel BK Satin Black WH White CH Chrome SA Satin Aluminum

PROJECT	FIXTURE TYPE	DATE
---------	--------------	------

Grip Jack Suspension Canopies With Power Supplies
 For 24VDC static white and warm dim LEDs

GRIP JACK SUSPENSION CANOPIES WITH POWER SUPPLIES					
ORDERING CODES	GSP-RM-2RD-1P-50-ELV-____ GSP-RM-2SQ-1P-50-ELV-____	GSP-NC-2RD-1P-50-ELV-____ GSP-NC-2RD-1P-50-ELV-____	GSP-4RD-1P-50-ELV-____ GSP-4SQ-1P-50-ELV-____	GSP-5SQ-1P-60-ELV-____	GSP-5SQ-2P-2X60-ELV-____
					
SPECIFICATIONS					
DESCRIPTION	Grip Jack Suspension 2.68" canopy with Remodel Plaster Plate and 50W power supply that fits in junction box with 1-port power feed	Grip Jack Suspension 2.68" canopy with New Construction 2" Plaster Ring and 50 watt power supply that fits in junction box, with 1-port power feed	Grip Jack Suspension canopy with Remodel 4.6" canopy and 50 watt power supply that fits in existing junction box with 1-port power feed	2x60W Grip Jack Suspension 5" square Surface Mount canopy with 1-port feed	2x60W Grip Jack Suspension 5" square Surface Mount canopy with 2-port feed
MAXIMUM LOAD	60W-NON IC, 50W-IC (FITS IN JBOX)	60W-NON IC, 50W-IC (FITS IN JBOX)	60W-NON IC, 50W-IC (FITS IN JBOX)	60W	2X60W
INPUT VOLTAGE	120VAC	120VAC	120VAC	120VAC	120VAC
OUTPUT VOLTAGE	24VDC	24VDC	24VDC	24VDC	24VDC
DIMENSIONS	2.68" x 2.68" x .1"	2.68" x 2.68" x .1"	4.6" x 4.6" x .2"	5.5" X 5.5" X 1.5"	5.5" X 5.5" X 1.5"
FINISH	BK, CH, SN, WH	BK, CH, SN, WH	BK, CH, SN, WH	BK, CH, SN, WH	BK, CH, SN, WH
CLASSIFICATION	CLASS 2	CLASS 2	CLASS 2	CLASS 2	CLASS 2
MOUNTING	REMODEL CONSTRUCTION, POWER SUPPLY RECESSED IN JBOX	NEW CONSTRUCTION, POWER SUPPLY RECESSED IN JBOX	REMODEL CONSTRUCTION POWER SUPPLY RECESSED IN JBOX	SURFACE MOUNT	SURFACE MOUNT
EFFICIENCY	85%	85%	85%	85%	85%
SHORT CIRCUIT PROTECTION	YES	YES	YES	YES	YES
OVER TEMPERATURE PROTECTION	YES	YES	YES	YES	YES
WORKING TEMPERATURE	-30°C TO 90°C	-30°C TO 90°C	-30°C TO 90°C	-30°C TO 90°C	-30°C TO 90°C
DIMMING AND CONTROLS					
LUTRON DIVA: DVELV-300P	•	•	•	•	•
LUTRON SKYLARK: SELV-300P	•	•	•	•	•
LUTRON RADIO RA2: RRD-6NA	N/A	N/A	N/A	N/A	N/A
LUTRON MAESTRO: MAELV-600	•	•	•	•	•
LEGRAND ADORNE: ADTP-703TUM4	N/A	N/A	N/A	•	•

GRIP JACK SUSPENSION CANOPIES WITH POWER SUPPLIES				
ORDERING CODES	GSP-5SQ-1DP-2X60-ELV-____	GSP-6SQ-1P-100-ELV-____	GSP-6SQ-2P-2X100-ELV-____	GSP-6SQ-1DP-2X100-ELV-____
				
SPECIFICATIONS				
DESCRIPTION	2x60W Grip Jack Suspension 5" square Surface Mount canopy with 2-port feed used with Nova Up/Down	100W or 150W Grip Jack Suspension 6" square Surface Mount canopy with 1-Port feed	2x100W or 2X150W Grip Jack Suspension 6" square Surface Mount canopy with 2-Port feed	2x100W or 2X150W Grip Jack Suspension 6" square Surface Mount canopy with Dual-Port feed
MAXIMUM LOAD	2X60W	100W OR 150W	2X100W OR 2X150W	2X100W OR 2X150W
INPUT VOLTAGE	120VAC	120VAC	120VAC	120VAC
OUTPUT VOLTAGE	24VDC	24VDC	24VDC	24VDC
DIMENSIONS	5.5" X 5.5" X 1.5"	6.5" X 6.5" X 1.875"	6.5" X 6.5" X 1.875"	6.5" X 6.5" X 1.875"
FINISH	BK, CH, SN, WH	BK, CH, SN, WH	BK, CH, SN, WH	BK, CH, SN, WH
CLASSIFICATION	CLASS 2	100W CLASS 2 150W UL2108	100W CLASS 2 150W UL2108	100W CLASS 2 150W UL2108
MOUNTING	SURFACE MOUNT	SURFACE MOUNT	SURFACE MOUNT	SURFACE MOUNT
EFFICIENCY	85%	85%	85%	85%
SHORT CIRCUIT PROTECTION	YES	YES	YES	YES
OVER TEMPERATURE PROTECTION	YES	YES	YES	YES
WORKING TEMPERATURE	-30°C TO 90°C	-30°C TO 90°C	-30°C TO 90°C	-30°C TO 90°C
DIMMING AND CONTROLS				
LUTRON DIVA: DVELV-300P	•	•	•	•
LUTRON SKYLARK: SELV-300P	•	•	•	•
LUTRON RADIO RA2: RRD-6NA	•	•	•	•
LUTRON MAESTRO: MAELV-600	•	•	•	•
LEGRAND ADORNE: ADTP-703TUM4	•	•	•	•

PROJECT		FIXTURE TYPE		DATE	
---------	--	--------------	--	------	--

INDOOR CONSTANT VOLTAGE REMOTE POWER SUPPLIES

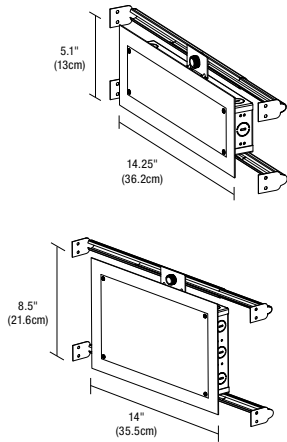
24VDC, UNI - UNIVERSAL DIMMING WITH ELV, TRIAC, & 0-10V

UNIVERSAL POWER SUPPLIES & RECOMMENDED DIMMERS				
ORDERING CODE	PSB-40W-UNI-24VDC	PSB-60W-UNI-24VDC	PSB-2X40W-UNI-24VDC	PSB-2X60W-UNI-24VDC
SPECIFICATIONS				
MAXIMUM LOAD	40W	60W	2X40W	2X60W
INPUT VOLTAGE	120-277VAC	120-277VAC	120-277VAC	120-277VAC
OUTPUT VOLTAGE	24VDC	24VDC	24VDC	24VDC
DIMENSIONS	12.4" X 3.12" X 2.18"	12.4" X 3.12" X 2.18"	12.15" X 6.48" X 2.18"	12.15" X 6.48" X 2.18"
CLASSIFICATION	CLASS 2	CLASS 2	CLASS 2	CLASS 2
IN-WALL MOUNTING	PSB-40W-UNI-24VDC-IW	PSB-60W-UNI-24VDC-IW	PSB-2X40W-UNI-24VDC-IW	PSB-2X60W-UNI-24VDC-IW
UNIVERSAL POWER SUPPLIES & RECOMMENDED DIMMERS				
ORDERING CODE	PSB-96W-UNI-24VDC	PSB-2X96W-UNI-24VDC	PSB-3X96W-UNI-24VDC	PSB-4X96W-UNI-24VDC
SPECIFICATIONS				
MAXIMUM LOAD	96W	2X96W	3X96W	4X96W
INPUT VOLTAGE	120-277VAC	120-277VAC	120-277VAC	120-277VAC
OUTPUT VOLTAGE	24VDC	24VDC	24VDC	24VDC
DIMENSIONS	12.4" X 3.12" X 2.18"	12.15" X 6.48" X 2.18"	14" X 10" X 3"	17" X 13" X 3"
CLASSIFICATION	CLASS 2	CLASS 2	CLASS 2	CLASS 2
IN-WALL MOUNTING	PSB-96W-UNI-24VDC-IW	PSB-2X96W-UNI-24VDC-IW	NA	NA
ELV DIMMING & CONTROLS				
LUTRON DIVA: DVELV-300P	•	•	•	•
LUTRON SKYLARK: SELV-300P	•	•	•	•
LUTRON RADIO RA2: RRD-6NA	•	•	•	•
LUTRON MAESTRO: MAELV-600	•	•	•	•
LEGRAND ADORNE: ADTP-703TUM4	•	•	•	•
0-10 DIMMING & CONTROLS				
PHILIPS SUNRISE: SR1200ZTUNV	•	•	•	•
LUTRON DIVA: DVTW-WH, DVSTV-WH	•	•	•	•
LUTRON NOVA T: NTSTV-DV-XX	•	•	•	•
LUTRON GRAFIX EYE QS: QSGRJ-XP	•	•	•	•
LUTRON RADIO RA2: RRD-10ND	•	•	•	•
LEVITON: LEV40050	•	•	•	•
LEVITON IP710-LFZ	•	•	•	•
LEGRAND: ADPD4FBL3P2W4	•	•	•	•
TRIAC DIMMING & CONTROLS				
LUTRON SKYLARK: S2-L-WH	•	•	•	•
LUTRON DIVA DVLV-600P-WH	•	•	•	•
LUTRON DIVA DVLV-603P-WH	•	•	•	•
LUTRON MAESTRO MALV-600-WH	•	•	•	•
LUTRON MAESTRO MALV-1000-WH	•	•	•	•
LUTRON MAESTRO MA-R-XX	•	•	•	•

- Flicker free dimming
- Aluminum casing for optimal heat dissipation
- Isolated output power per NEC and UL safety requirements
- UL & ETL recognized/ listed, meets UL 8750, 1310 requirements
- Auto-reset: short circuit, overload and thermal protection
- Class 2 power supply
- Efficient, High power factor > 0.90
- The Solid State Constant Voltage Uni-Power Supply is compatible with most commercially available Dimmers:
 - Triac Dimmer : (Forward Phase) Typically used for the dimming of Incandescent and Low Voltage Magnetic Transformers
 - ELV Dimmer : (Reverse Phase) Dimming of Electronic Low Voltage Transformers and Power Supply's used for LED lighting
 - 0-10 Dimmer : Dims the Low Voltage side of a 0-10 volt power supply commonly used in large scale lighting or commercial applications.
- The Uni-Power Supply is recommended with any Siemens/Murray brand of arc fault breaker to overcome the issues with tripping the breakers with an ELV LED Low Voltage Drivers.

PROJECT		FIXTURE TYPE		DATE	
---------	--	--------------	--	------	--

IN WALL MOUNTING OPTIONS



In-Wall Mounting Kit: Includes power supply, box cover and stud hangers for installing Junction Box in wall. Select "IW" in the options section of compatible power supply ordering codes if an In-Wall Mounting Kit is needed.

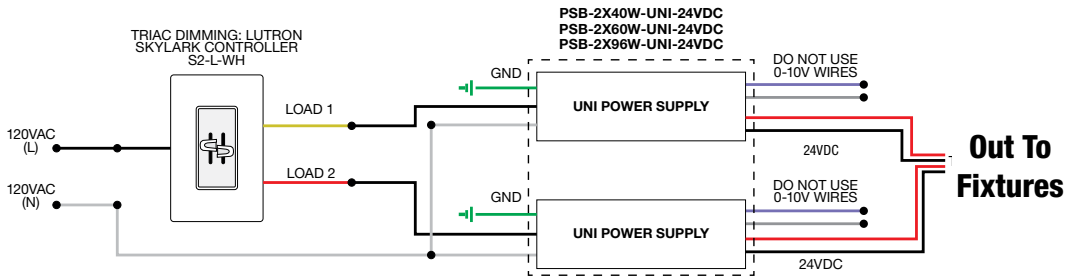
Ordering Codes 5.1 x 14.25 inch: PSB-40W-UNI-24VDC-IW
PSB-60W-UNI-24VDC-IW
PSB-96W-UNI-24VDC-IW

Ordering Codes 8.5 x 14.25 inch: PSB-2X40W-UNI-24VDC-IW
PSB-2X60W-UNI-24VDC-IW
PSB-2X96W-UNI-24VDC-IW

WIRING DIAGRAMS UNIVERSAL POWER SUPPLY

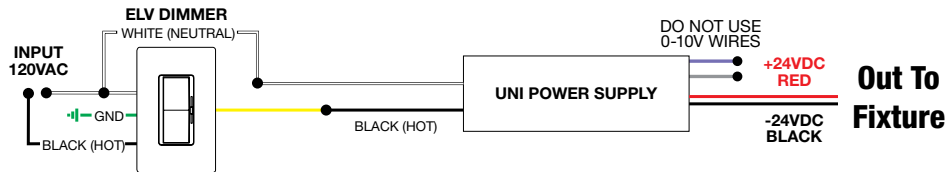
Application: Triac dimming for two power supplies, use for Static White, Dynamic/Tunable White 2000K-4000K

Dimming: Dimmable with Triac dimmer: Lutron: Skylark S2-L



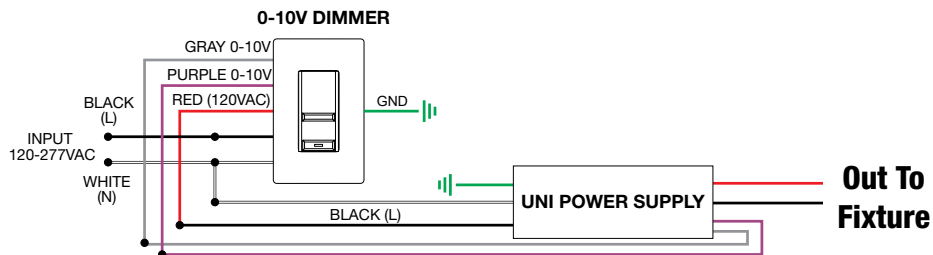
Application: ELV dimming for Static White and Warm Dim

Dimming: Dimmable with ELV dimmer: Legrand, Adorne ADTP703TU; Lutron: Diva DVELV-300P, Skylark SELV-300P, Maestro MAELV-600 and Radio Ra 2



Application: 0-10V dimming for Static White

Dimming: Dimmable with 0-10V dimmer: Philips Sunrise: SR1200ZTUNV; Lutron Diva: DVTV-WH, DVSTV-WH; Lutron Nova T: NTSTV-DV-XX; Lutron Grafix EYE QS: QSGRJ-XP; Lutron Radio Ra2: RRD-10ND; Leviton: LEV40050; Leviton IP710-LFZ; Legrand: ADPD4FBL3P2W4



PROJECT		FIXTURE TYPE		DATE	
---------	--	--------------	--	------	--

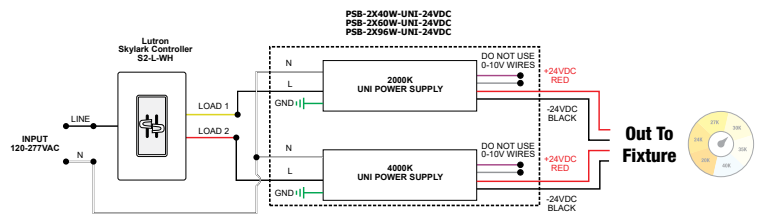
UNIVERSAL POWER SUPPLIES & RECOMMENDED DIMMERS [†]				
ORDERING CODE	PSB-2X40W-UNI-24VDC	PSB-2X60W-UNI-24VDC	PSB-2X96W-UNI-24VDC	PSB-4X96W-UNI-24VDC
SPECIFICATIONS				
MAXIMUM LOAD	2X40W	2X60W	2X96W	4X96W
INPUT VOLTAGE	120-277VAC	120-277VAC	120-277VAC	120-277VAC
OUTPUT VOLTAGE	24VDC	24VDC	24VDC	24VDC
DIMENSIONS	12.15" X 6.48" X 2.18"	12.15" X 6.48" X 2.18"	12.15" X 6.48" X 2.18"	17" X 13" X 3"
CLASSIFICATION	CLASS 2	CLASS 2	CLASS 2	CLASS 2
IN-WALL MOUNTING	PSB-2X40W-UNI-24VDC-IW	PSB-2X60W-UNI-24VDC-IW	PSB-2X96W-UNI-24VDC-IW	NA
ELV DIMMING & CONTROLS				
LUTRON DIVA: DVELV-300P	•	•	•	•
LUTRON SKYLARK: SELV-300P	•	•	•	•
LUTRON RADIO RA2: RRD-6NA	•	•	•	•
LUTRON MAESTRO: MAELV-600	•	•	•	•
LEGRAND ADORNE: ADTP-703TUM4	•	•	•	•
0-10 DIMMING & CONTROLS				
PHILIPS SUNRISE: SR1200ZTUNV	•	•	•	•
LUTRON DIVA: DVTW-WH, DVSTV-WH	•	•	•	•
LUTRON NOVA T: NTSTV-DV-XX	•	•	•	•
LUTRON GRAFIK EYE QS: QSGRJ-XP	•	•	•	•
LUTRON RADIO RA2: RRD-10ND	•	•	•	•
LEVITON: LEV40050	•	•	•	•
LEVITON IP710-LFZ	•	•	•	•
LEGRAND: ADPD4FBL3P2W4	•	•	•	•
TRIAC DIMMING & CONTROLS				
LUTRON SKYLARK: S2-L-WH	•	•	•	•
LUTRON DVLV-600P-WH	•	•	•	•
LUTRON DVLV-603P-WH	•	•	•	•
LUTRON MALV-600-WH	•	•	•	•
LUTRON MALV-1000-WH	•	•	•	•
LUTRON MA-R-XX	•	•	•	•

- Flicker free dimming
- Aluminum casing for optimal heat dissipation
- Isolated output power per NEC and UL safety requirements
- UL & ETL recognized/ listed, meets UL 8750, 1310 requirements
- Auto-reset; short circuit, overload and thermal protection
- Class 2 power supply
- Efficient, High power factor > 0.90

- The Solid State Constant Voltage Uni-Power Supply is compatible with most commercially available Dimmers:
 - Triac Dimmer: (Forward Phase) Typically used for the dimming of Incandescent and Low Voltage Magnetic Transformers
 - ELV Dimmer: (Reverse Phase) Dimming of Electronic Low Voltage Transformers and Power Supply's used for LED lighting
 - 0-10 Dimmer: Dims the Low Voltage side of a 0-10 volt power supply commonly used in large scale lighting or commercial applications.
- The Uni-Power Supply is recommended with any Siemens/Murray brand of arc fault breaker to overcome the issues with tripping the breakers with an ELV LED Low Voltage Drivers.

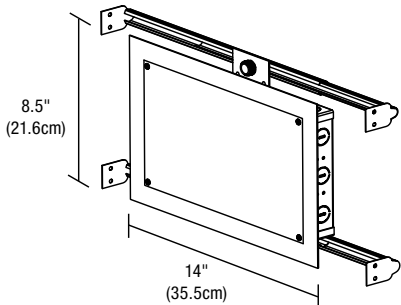
MAXIMUM LENGTH

POWER SUPPLY	5 WATTS	10 WATTS
PSB-2X40W-UNI-24VDC	8 FEET	4 FEET
PSB-2X60W-UNI-24VDC	12 FEET	6 FEET
PSB-2X96W-UNI-24VDC	20 FEET	10 FEET



Configuration 1
S2-L-WH (TRIAC) Single Pole Dimming with Dual Universal Power Supplies




IN WALL MOUNTING OPTIONS



In-Wall Mounting Kit: Includes power supply, box cover and stud hangers for installing Junction Box in wall. Select "IW" in the options section of compatible power supply ordering codes if an In-Wall Mounting Kit is needed.

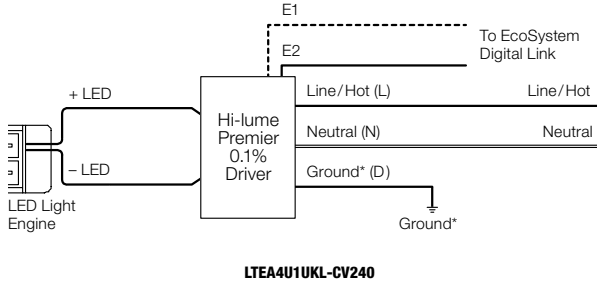
Ordering Codes 8.5 x 14.25 inch: PSB-2X40W-UNI-24VDC-IW, PSB-2X60W-UNI-24VDC-IW, PSB-2X96W-UNI-24VDC-IW

PROJECT	FIXTURE TYPE	DATE
---------	--------------	------

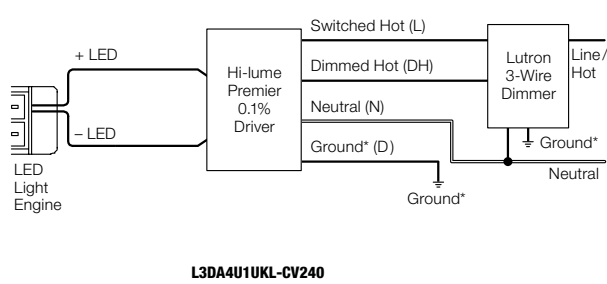
LUTRON HI-LUME® PREMIER .1% ECOSYSTEM®†			
ORDERING CODES	L3D0-96W24V-U	2-WIRE ECOSYSTEM LTEA4U1UKL-CV240	3-WIRE ECOSYSTEM L3DA4U1UKL-CV240
			
SPECIFICATIONS			
MAXIMUM LOAD	96W	5W-40W	5W-40W
INPUT VOLTAGE	120-277VAC	120-277VAC	120-277VAC
OUTPUT VOLTAGE	24VDC	24VDC	24VDC
DIMENSIONS	10.5" X 5.5" X 2"	4" X 4.89" X 2.62"	4" X 4.89" X 2.62"
CLASSIFICATION	CLASS 2	CLASS 2	CLASS 2
DIMMING AND CONTROLS			
RADIO RA2	•	•	•
HOMEWORKS QS	•	•	•
PHPM-3F-120	•	•	•
PHPM-3F-DV	•	•	•
BCI-0-10	•	•	•

†24K - 57K color temperatures are compatible with 0-10V, ELV, and Lutron Hi-lume® Power Supplies. Warm Dim (27D, 30D) color temperatures are only compatible with ELV power supplies.

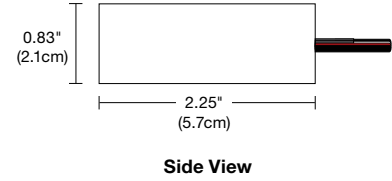
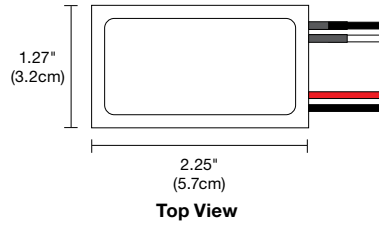
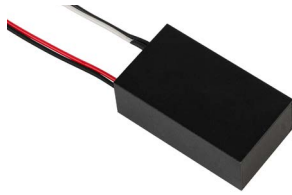
2-Wire EcoSystem Wiring Diagram



3-Wire Wiring Diagram



PROJECT	FIXTURE TYPE	DATE
---------	--------------	------



DESCRIPTION

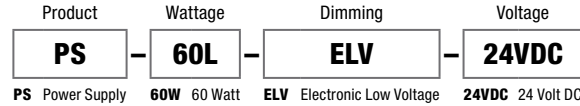
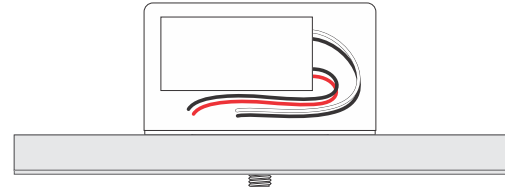
Compact, lightweight remote electronic 60W/24V LED Power Supply* converts standard 120VAC voltage to 24VDC and features built-in short-circuit protection. The low voltage output may be dimmed using an electronic low voltage dimmer. The Power Supply is certified to be used inside a standard Junction Box enclosure. Power Supply features short circuit and overload protection. Indoor applications only.

**Electrical Panels using Seimens/Murray AFCI breakers are not compatible with this ELV transformer. Use 0-10 Volt power supplies with this breaker.*

APPLICATIONS

Indoor*
To avoid overheating the power supply, install it in a ventilated remote location where air flows. Maintain proper spacing among power supplies when multiple power supplies are installed in the same remote location.

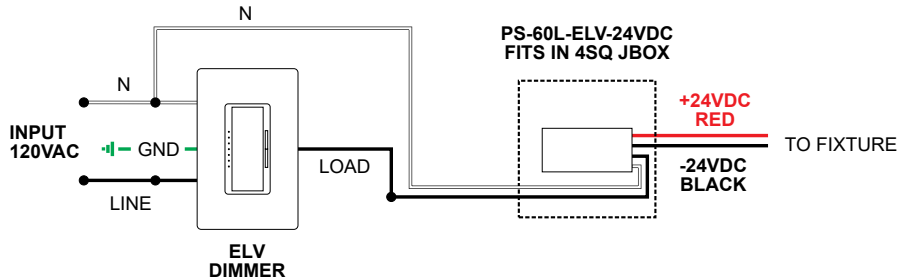
- POWER INPUT** 120 volts AC, 60Hz
- POWER OUTPUT** Class 2; 24 volts DC 2.5A 60 watt maximum
- DIMENSIONS** 2.25" x 1.25" x 0.83"
- DIMMER TYPE** Electronic Low Voltage Dimmer Lutron: Diva #DVELV-300P; Skylark #SELV-300P; Maestro #MAELV-600



SAMPLE WIRING DIAGRAMS 24VDC ELV

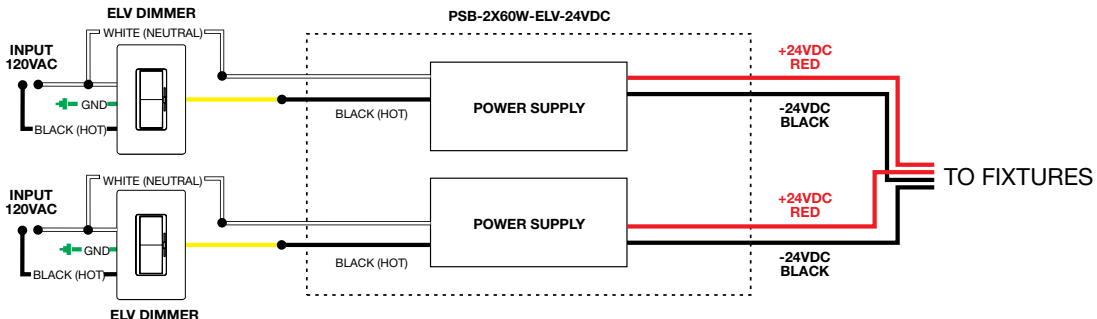
Application: ELV dimming for Static White

Dimming: Dimmable with ELV dimmer: Legrand, Adorne ADTP703TU; Lutron: Diva DVELV-300P, Skylark SELV-300P, Maestro MAELV-600 and Radio Ra 2



Application: Dual ELV dimming for Dynamic/Tunable White 2000K-4000K

Dimming: Dimmable with ELV dimmer: Legrand, Adorne ADTP703TU; Lutron: Diva DVELV-300P, Skylark SELV-300P, Maestro MAELV-600 and Radio Ra 2



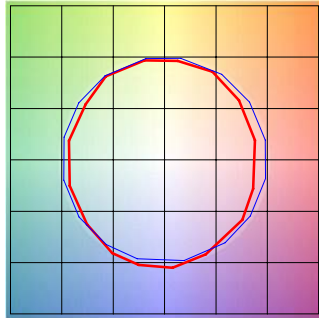
PROJECT	FIXTURE TYPE	DATE
---------	--------------	------

SUSPENSION TM30 DATA

SUSPENSION DOWNLIGHT MODULAR - REMOTE POWER

TM-30-15 DATA: The data below is for SS2C, SS5C, and SS7C bare LED Soft Strips. Consistent color temperatures throughout a single strip and among multiple strips is possible through a 3 phase binning process in which each order is inspected with a color meter to ensure uniformity.

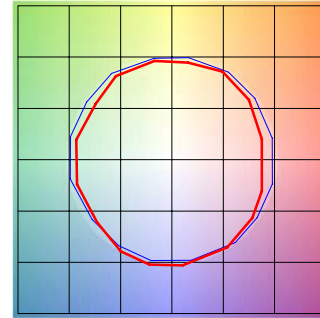
2200K | Rf: 83.9 | Rg: 94.9
Color Vector Graphic



■ Test ■ Reference

GRAPHIC SHIFTS %			
HUE BIN	Rf	CHROMA	HUE
1	77.6	-10.0%	1.8%
2	80.7	-7.5%	7.0%
3	79.5	-2.9%	8.9%
4	90.5	-3.1%	2.4%
5	93.9	-1.3%	1.9%
6	91.9	-0.9%	-0.2%
7	87.6	-6.3%	-2.7%
8	90.5	-5.4%	2.7%
9	83.8	-4.7%	6.5%
10	81.2	-2.5%	10.0%
11	83.3	3.9%	9.4%
12	86.4	5.6%	2.6%
13	86.2	4.5%	-12.4%
14	64.3	-1.0%	-21.9%
15	85.1	-4.4%	-7.5%
16	75.0	-9.9%	-12.0%

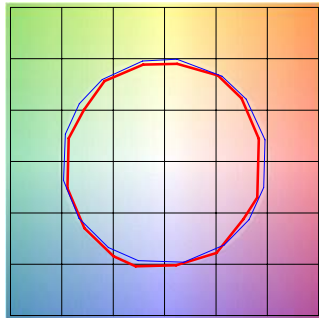
2400K | Rf: 84.5 | Rg: 94.4
Color Vector Graphic



■ Test ■ Reference

GRAPHIC SHIFTS %			
HUE BIN	Rf	CHROMA	HUE
1	81.1	-7.7%	3.0%
2	84.9	-5.7%	4.9%
3	85.3	-2.3%	6.1%
4	87.7	-5.5%	-0.5%
5	92.5	-3.9%	0.5%
6	91.1	-3.4%	0.1%
7	86.0	-7.7%	0.5%
8	87.1	-6.0%	4.3%
9	80.1	-3.9%	9.8%
10	79.0	-0.9%	11.8%
11	82.3	5.5%	10.1%
12	87.6	5.4%	-0.5%
13	84.7	3.3%	-12.0%
14	78.0	0.8%	-13.7%
15	86.9	-5.5%	-4.3%
16	78.1	-7.5%	-10.8%

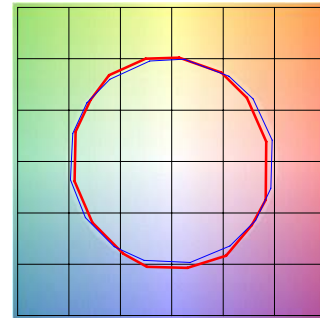
2700K | Rf: 87.7 | Rg: 96.1
Color Vector Graphic



■ Test ■ Reference

GRAPHIC SHIFTS %			
HUE BIN	Rf	CHROMA	HUE
1	86.4	-5.6%	2.3%
2	89.7	-3.3%	3.1%
3	90.5	-1.5%	3.8%
4	90.0	-4.3%	1.1%
5	92.9	-3.7%	0.2%
6	93.5	-2.5%	-0.8%
7	86.3	-7.2%	2.5%
8	90.7	-4.0%	3.2%
9	85.2	-2.4%	8.1%
10	81.7	0.9%	10.8%
11	85.4	4.5%	8.9%
12	88.7	5.7%	-1.4%
13	88.3	1.3%	-7.9%
14	85.1	2.4%	-10.4%
15	88.1	-4.8%	-2.7%
16	81.7	-4.3%	-10.9%

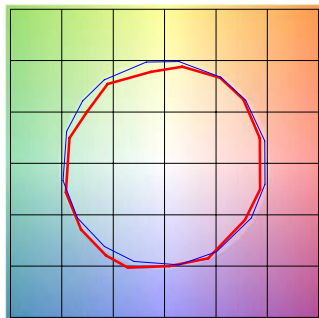
3000K | Rf: 88.1 | Rg: 99.7
Color Vector Graphic



■ Test ■ Reference

GRAPHIC SHIFTS %			
HUE BIN	Rf	CHROMA	HUE
1	87.7	-5.9%	-0.3%
2	87.9	-4.4%	4.3%
3	82.9	-1.2%	7.9%
4	89.9	0.6%	4.7%
5	92.7	3.0%	3.5%
6	92.7	3.6%	-1.7%
7	90.8	-1.3%	-4.4%
8	93.7	-2.5%	-2.2%
9	91.7	-3.7%	2.3%
10	85.5	-2.8%	7.8%
11	83.3	0.7%	11.0%
12	86.4	5.5%	3.8%
13	90.6	4.6%	-3.6%
14	85.6	5.9%	-8.4%
15	89.5	-0.6%	-5.7%
16	82.6	-2.7%	-12.0%

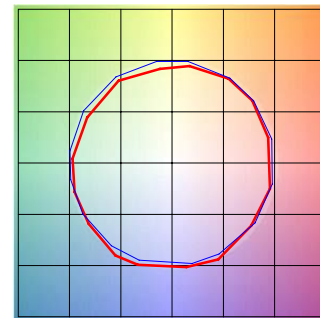
3500K | Rf: 86.1 | Rg: 95.5
Color Vector Graphic



■ Test ■ Reference

GRAPHIC SHIFTS %			
HUE BIN	Rf	CHROMA	HUE
1	86.6	-4.2%	3.4%
2	91.7	-1.4%	1.8%
3	94.9	-0.7%	0.4%
4	87.9	-4.5%	-4.1%
5	85.9	-10.3%	-2.7%
6	89.8	-5.2%	-0.4%
7	79.6	-9.5%	6.5%
8	87.6	-4.0%	5.7%
9	81.4	-0.5%	11.8%
10	78.3	3.3%	11.4%
11	85.7	6.3%	6.1%
12	86.3	7.1%	-4.6%
13	86.1	-0.7%	-9.6%
14	85.1	0.8%	-10.4%
15	83.4	-4.1%	-5.3%
16	82.5	-3.6%	-5.7%

4000K | Rf: 87.6 | Rg: 96.8
Color Vector Graphic



■ Test ■ Reference

GRAPHIC SHIFTS %			
HUE BIN	Rf	CHROMA	HUE
1	89.0	-3.1%	2.1%
2	93.2	-0.9%	1.3%
3	94.3	-1.1%	0.7%
4	89.5	-4.0%	-2.3%
5	87.6	-7.8%	-1.8%
6	92.2	-4.6%	0.1%
7	87.4	-6.6%	3.6%
8	85.7	-3.8%	7.0%
9	81.5	-1.3%	12.4%
10	80.0	0.9%	11.4%
11	83.3	5.9%	8.7%
12	89.7	4.8%	-0.3%
13	88.5	2.4%	-6.3%
14	92.7	4.0%	-3.8%
15	86.1	-1.6%	-4.5%
16	85.0	-1.4%	-5.0%

PROJECT	FIXTURE TYPE	DATE
---------	--------------	------

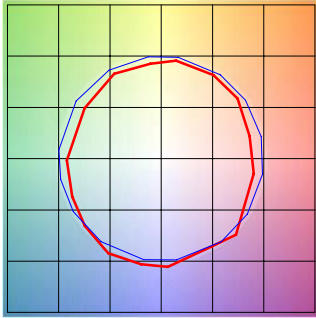
SUSPENSION TM30 DATA

SUSPENSION DOWNLIGHT MODULAR - REMOTE POWER

TM-30-15 DATA: The data below is for SS2C, SS5C, and SS7C bare LED Soft Strips. Consistent color temperatures throughout a single strip and among multiple strips is possible through a 3 phase binning process in which each order is inspected with a color meter to ensure uniformity.

5700K | Rf: 80.3 | Rg: 91.5

Color Vector Graphic

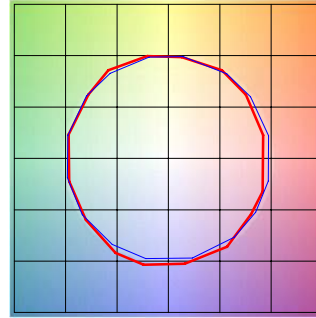


■ Test ■ Reference

GRAPHIC SHIFTS %			
HUE BIN	Rf	CHROMA	HUE
1	73.8	-11.2%	2.6%
2	83.7	-5.5%	5.8%
3	84.2	-4.0%	5.5%
4	85.8	-3.5%	1.3%
5	85.3	-7.1%	0.6%
6	89.2	-5.8%	-2.2%
7	81.5	-10.7%	1.2%
8	75.7	-9.7%	8.5%
9	74.9	-7.8%	18.8%
10	67.8	-1.6%	18.0%
11	76.1	5.5%	12.0%
12	90.8	4.9%	-1.6%
13	83.6	5.0%	-9.5%
14	81.7	-1.2%	-10.0%
15	69.0	2.0%	-22.8%
16	83.2	-8.5%	-1.0%

2700D | Rf: 89.5 | Rg: 100.8

Color Vector Graphic

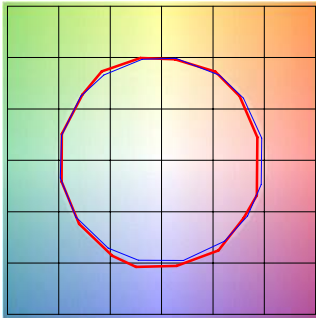


■ Test ■ Reference

GRAPHIC SHIFTS %			
HUE BIN	Rf	CHROMA	HUE
1	88.8	-5.1%	1.4%
2	89.8	-2.7%	4.1%
3	87.2	0.3%	5.9%
4	92.3	-0.9%	1.0%
5	93.3	1.5%	1.7%
6	92.4	3.6%	-0.2%
7	92.2	-0.9%	-2.4%
8	96.7	-0.4%	-1.1%
9	92.3	-1.2%	3.7%
10	88.9	-0.0%	6.1%
11	86.4	5.1%	7.4%
12	88.2	6.3%	-0.9%
13	87.2	3.8%	-8.1%
14	84.2	3.8%	-11.0%
15	89.8	-2.6%	-4.3%
16	82.7	-3.4%	-11.1%

3000D | Rf: 89.8 | Rg: 101.4

Color Vector Graphic

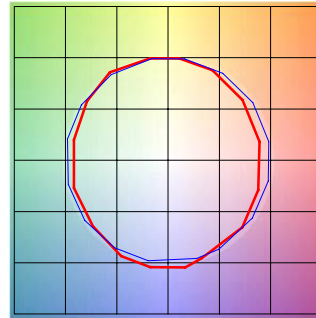


■ Test ■ Reference

GRAPHIC SHIFTS %			
HUE BIN	Rf	CHROMA	HUE
1	90.2	-4.2%	1.5%
2	90.9	-2.0%	3.7%
3	87.9	0.8%	5.5%
4	92.1	-0.9%	0.6%
5	93.0	1.5%	1.6%
6	92.2	3.9%	-0.2%
7	92.1	-0.3%	-2.0%
8	96.7	0.0%	-1.2%
9	92.5	-0.6%	3.7%
10	88.3	1.1%	7.0%
11	87.2	4.1%	7.4%
12	87.2	6.7%	-1.0%
13	88.2	3.8%	-7.2%
14	85.3	4.3%	-9.9%
15	90.9	-2.2%	-3.6%
16	83.4	-2.2%	-11.2%

2000K ONLY (2K4K) | Rf: 84.3 | Rg: 96.9

Color Vector Graphic

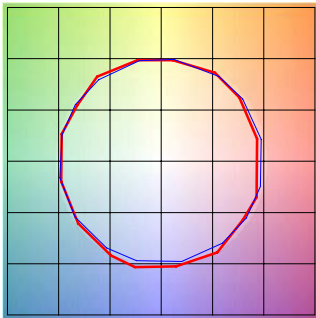


■ Test ■ Reference

GRAPHIC SHIFTS %			
HUE BIN	Rf	CHROMA	HUE
1	80.3	-8.9%	1.7%
2	79.7	-7.0%	7.8%
3	78.9	-2.9%	10.0%
4	89.5	-0.5%	5.1%
5	94.4	0.7%	1.7%
6	92.1	2.4%	-0.3%
7	89.4	-2.4%	-5.9%
8	89.7	-6.4%	-0.2%
9	86.0	-4.9%	4.6%
10	81.8	-3.4%	9.3%
11	83.1	3.3%	9.7%
12	85.8	5.6%	3.3%
13	85.6	6.2%	-12.8%
14	61.7	-1.9%	-19.0%
15	79.7	-3.3%	-12.9%
16	78.1	-7.9%	-10.6%

3000K (2K4K) | Rf: 90.2 | Rg: 101.4

Color Vector Graphic

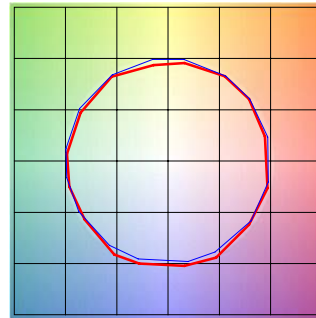


■ Test ■ Reference

GRAPHIC SHIFTS %			
HUE BIN	Rf	CHROMA	HUE
1	90.9	-3.8%	1.3%
2	91.7	-1.9%	3.3%
3	88.7	0.7%	5.1%
4	92.4	-1.0%	0.7%
5	92.9	0.9%	1.7%
6	93.1	3.3%	-0.6%
7	91.0	-1.8%	-0.4%
8	97.0	0.2%	-1.1%
9	92.8	-0.5%	3.6%
10	88.3	1.0%	7.0%
11	87.1	3.8%	7.8%
12	87.6	6.5%	-0.3%
13	89.3	3.6%	-6.3%
14	86.1	4.5%	-9.1%
15	91.6	-1.9%	-3.1%
16	83.8	-1.5%	-11.2%

4000K ONLY (2K4K) | Rf: 89.6 | Rg: 99.1

Color Vector Graphic



■ Test ■ Reference

GRAPHIC SHIFTS %			
HUE BIN	Rf	CHROMA	HUE
1	91.3	-2.5%	1.0%
2	95.3	-0.5%	0.5%
3	94.3	-0.7%	1.1%
4	91.1	-3.4%	-1.1%
5	89.5	-5.6%	0.0%
6	94.6	-1.4%	1.3%
7	93.2	-3.0%	2.6%
8	91.3	-1.8%	4.6%
9	86.5	-0.9%	9.1%
10	83.3	-0.5%	9.5%
11	83.3	4.9%	9.0%
12	89.7	4.1%	1.7%
13	90.1	3.6%	-4.3%
14	93.4	5.2%	-2.1%
15	87.4	0.4%	-4.3%
16	86.6	0.4%	-6.1%

PROJECT	FIXTURE TYPE	DATE
---------	--------------	------