



Diffused White Lens (Actual Size)

### DESCRIPTION

The Nova Ceiling Down-light offers direct crisp up to 95+ CRI Light in a clean and contemporary style. The Nova Ceiling Down-light offers multiple power and mounting options. The 4.6" Floating Square Canopy mounts to a standard square junction box anywhere along the fixture. The 1" Rectangle (1RE) J-Box (included) offers a power connection option that is hidden for a more streamlined look. Components included with the system; 8' Power Cable, 1/2" ceiling mounted standoffs provided every 2' for fixture support at the ceiling. Pre-Wired for Remote Power Supplies up to 100 Watts or add a PS-60L-ELV-24VDC that fits inside J-box for total watts under 50W (Power Supplies sold separately). Lengths range from 36" to 120" and can be ordered in various increments. A 60° or 100° beam spread and optional Black or White Louvers along with a variety of finishes. Offering the latest in LED technology Tunable White, Warm Dim options and RGB. Fixture includes a 5 year pro-rated warranty. For custom designs and quotes, send drawings to [design@PureEdgeLighting.com](mailto:design@PureEdgeLighting.com).

### INSTALLATION

- Fixture with power in J-Box, mounts to a standard J-Box, wired with a 60 Watt Non-IC (50W-IC) power supply (Order Separately)
- Remote Power Supply Options: UNI-Driver, 0-10V, ELV, DMX, DALI, Lutron Hi-Lume® (Order separately). See pgs 10-19 for complete specification.
- Drywall 1/2" long ceiling-mounted standoff is Included with the fixture. One standoff is to be used every 2ft for support
- T-Bar includes Mounting Clips for use one every 2ft of channel for support
- Mounts to a Standard Junction Box, pre-wired from a Remote Power Supply up to 100 Watts (sold separately) at maximum 20' away
- Includes your choice of Canopy, 1" Rectangle Junction Box (1RE), 4.6" Square Canopy (4SQ), T-Bar Clips (TB)

### FINISHES



- Diffused White 100 Degree lens or Clear Frosted 60 Degree lens, Both offered with Black or White louver

### APPLICATIONS

- Indoor Only - Kitchens, Dining Rooms, Hallways, Conference Rooms, Offices, Architectural, General, Retail

### LAMPING

- Choose from 11 color temperatures from 2200K-5700K including Warm Dim, Tunable White and RGB
- Static CCT Kelvin Temperatures with Static Color Options: 22K, 24K, 27K, 30K, 35K, 40K, 57K
- Warm Dim, Dynamic White Application, 2700K dims to 1900K, 3000K dims to 2200K (5W ONLY)
- Tunable White, Variable White, Human Centric Application, 4000K-2000K Color Tuning Range, suitable for warm dim applications (Order Separately)
- RGB: Red, Green, Blue
- 50,000 Hour Lamp Life

### REMOTE POWER SUPPLIES\* & DIMMERS (SOLD SEPARATELY)

- Electronic Low Voltage Dimming (ELV)
- 0-10 Volt Dimming (0-10V)
- Lutron Hi-Lume®
- DMX: Dynamic Color Changing

\*In-Wall Mounting Kits available for select power supplies

System	Wattage Per Foot	Canopy	Nominal Size	Color Temperature	Finish
<b>NCD</b>	<b>5W</b>	<b>1RE</b>	<b>240</b>	<b>22K</b>	<b>SN</b>
<b>NCD</b> Nova Ceiling Diffused Lens <b>NCDW</b> Nova Ceiling Diffused Lens with White Louver <b>NCCB</b> Nova Ceiling Diffused Lens with Black Louver <b>NCCW</b> Nova Ceiling Clear Frosted Lens with White Louver <b>NCCB</b> Nova Ceiling Clear Frosted Lens with Black Louver	<b>5W*</b> 4.4 watts - 240" (20ft.) max length <b>7W</b> 7.3 watts - 156" (13ft.) max length <b>10W</b> 9.6 watts - 120" (10ft.) max length * Warm Dim ( <b>27D &amp; 30D</b> ), Tunable White ( <b>2K4K</b> ), and RGB, 5 Watt Only	<b>1RE</b> 1" Rectangle with Junction Box <b>4SQ</b> 4" Square Split <b>TB</b> TBAR end feed with 2ft of Teflon® cable	<b>36-240</b> Order in various increments from 36 inches to 240 inches *Chrome shipping, maximum length 84". SN, BK, WH shipping, 120" See length chart for exact dimensions (pg. 3-4)	<b>22K</b> 2200K Amber White <b>24K</b> 2400K Very Warm White <b>27K</b> 2700 Incandescent White <b>27D</b> 2700D Warm Dim (5W only) <b>30K</b> 3000K Warm White <b>30D</b> 3000D Warm Dim (5W only) <b>35K</b> 3500K Neutral White <b>40K</b> 4000K Cool White <b>57K</b> 5700K Daylight White <b>2K4K</b> 2000K-4000K Tunable White (5W only, 20 ft. max) <b>RGB</b> Red, Green, Blue (5W only, 20ft max)	<b>BK</b> Satin Black <b>CH</b> Chrome <b>SN</b> Satin Nickel <b>WH</b> White

PROJECT	FIXTURE TYPE	DATE
---------	--------------	------

**NOMINAL LAMP DATA:** Lamp data Downlight Channel

NCD																								
100 Degree Diffused White Lens without Louver																								
DESCRIPTION	5w (4.4 watts)								7w (7.3 watts)								10w (9.6 watts)							
WATTS PER FOOT	5w (4.4 watts)								7w (7.3 watts)								10w (9.6 watts)							
COLOR TEMPERATURE	22K	24K	27K	27D*	30K	30D*	35K	40K	57K	22K	24K	27K	30K	35K	40K	57K	22K	24K	27K	30K	35K	40K	57K	
LUMENS PER FOOT (lm/ft)	223	234	245	302	268	330	307	334	355	355	372.5	390	426	488	531	565	419.5	440	461	503	576	627	667	
LUMENS PER WATT (lm/w)	51	53.5	56	63	61	69	70	76	81	48.5	51.5	53	58	67	73	77	43.5	46	48	52	60	65	69	
CRI	85+	90+	95+	95+	95+	95+	85+	84	84	85+	90+	95+	95+	85+	84	84	85+	90+	95+	95+	85+	84	84	

NCDW																								
100 Degree Diffused White Lens with White Louver																								
DESCRIPTION	5w (4.4 watts)								7w (7.3 watts)								10w (9.6 watts)							
WATTS PER FOOT	5w (4.4 watts)								7w (7.3 watts)								10w (9.6 watts)							
COLOR TEMPERATURE	22K	24K	27K	27D*	30K	30D*	35K	40K	57K	22K	24K	27K	30K	35K	40K	57K	22K	24K	27K	30K	35K	40K	57K	
LUMENS PER FOOT (lm/ft)	156.5	164	172	212	188	231	215	234	249	248.5	261	273	298	342	371	395	293	307.5	322	352	403	439	467	
LUMENS PER WATT (lm/w)	35.5	37	39	44	43	48	49	53	57	34	35.5	37	41	47	51	54	31	32.5	34	37	42	46	49	
CRI	85+	90+	95+	95+	95+	95+	85+	84	84	85+	90+	95+	95+	85+	84	84	85+	90+	95+	95+	85+	84	84	

NCDL																								
100 Degree Diffused White Lens with Black Louver																								
DESCRIPTION	5w (4.4 watts)								7w (7.3 watts)								10w (9.6 watts)							
WATTS PER FOOT	5w (4.4 watts)								7w (7.3 watts)								10w (9.6 watts)							
COLOR TEMPERATURE	22K	24K	27K	27D*	30K	30D*	35K	40K	57K	22K	24K	27K	30K	35K	40K	57K	22K	24K	27K	30K	35K	40K	57K	
LUMENS PER FOOT (lm/ft)	98	103	108	132	118	145	135	146	156	155.5	163	171	187	214	232	247	183.5	193	202	220	252	274	292	
LUMENS PER WATT (lm/w)	22	23	24	28	27	30	31	33	35	21	22	23	26	29	32	34	19	20	21	23	26	29	30	
CRI	85+	90+	95+	95+	95+	95+	85+	84	84	85+	90+	95+	95+	85+	84	84	85+	90+	95+	95+	85+	84	84	

NCCW																								
60 Degree Clear Frosted Lens with White Louver																								
DESCRIPTION	5w (4.4 watts)								7w (7.3 watts)								10w (9.6 watts)							
WATTS PER FOOT	5w (4.4 watts)								7w (7.3 watts)								10w (9.6 watts)							
COLOR TEMPERATURE	22K	24K	27K	27D*	30K	30D*	35K	40K	57K	22K	24K	27K	30K	35K	40K	57K	22K	24K	27K	30K	35K	40K	57K	
LUMENS PER FOOT (lm/ft)	187.5	197	206	254	226	278	258	281	299	298.5	313	328	358	410	446	475	352	369.5	387	423	485	527	561	
LUMENS PER WATT (lm/w)	42.5	45	47	53	51	58	59	64	68	41	43	45	49	56	61	65	36.5	38	40	44	50	55	58	
CRI	85+	90+	95+	95+	95+	95+	85+	84	84	85+	90+	95+	95+	85+	84	84	85+	90+	95+	95+	85+	84	84	

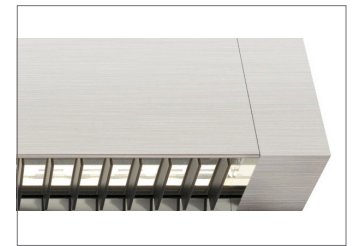
NCCB																								
60 Degree Clear Frosted Lens with Black Louver																								
DESCRIPTION	5w (4.4 watts)								7w (7.3 watts)								10w (9.6 watts)							
WATTS PER FOOT	5w (4.4 watts)								7w (7.3 watts)								10w (9.6 watts)							
COLOR TEMPERATURE	22K	24K	27K	27D*	30K	30D*	35K	40K	57K	22K	24K	27K	30K	35K	40K	57K	22K	24K	27K	30K	35K	40K	57K	
LUMENS PER FOOT (lm/ft)	117.5	123	129	159	141	174	162	176	187	186.5	196	205	224	257	279	297	220.5	231	242	265	303	330	351	
LUMENS PER WATT (lm/w)	26.5	27.5	29	33	32	36	37	40	43	25.5	26.5	28	31	35	38	41	23	24	25	28	32	34	37	
CRI	85+	90+	95+	95+	95+	95+	85+	84	84	85+	90+	95+	95+	85+	84	84	85+	90+	95+	95+	85+	84	84	

\*27D, 30D - Warm Dim (4.8 Watts)

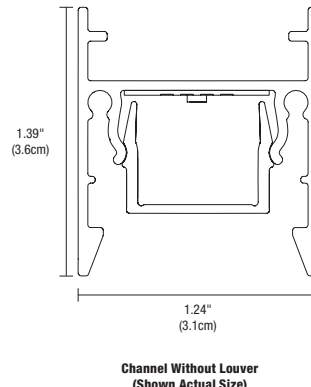
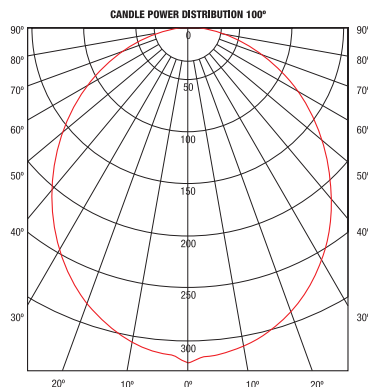
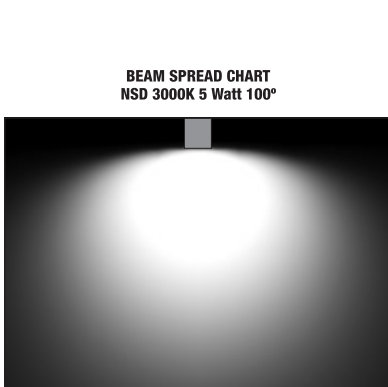
5 Watt 100°		7 Watt 100°		10 Watt 100°	
Distance	Foot Candles	Distance	Foot Candles	Distance	Foot Candles
1'	152	1'	251	1'	279
1.5'	100	1.5'	165	1.5'	183
2'	74	2'	121	2'	136
3'	47	3'	79	3'	87
4'	34	4'	57	4'	62
5'	25	5'	43	5'	47
6'	20	6'	34	6'	37
7'	15	7'	27	7'	29
8'	13	8'	23	8'	24



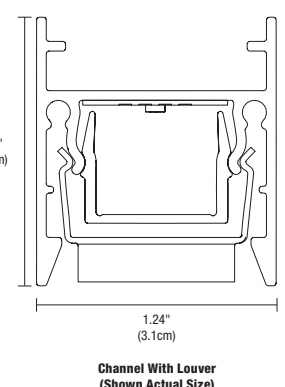
Shown with White Louver



Shown with Black Louver



Channel Without Louver (Shown Actual Size)



Channel With Louver (Shown Actual Size)

PROJECT	FIXTURE TYPE	DATE
---------	--------------	------



**NOVA**

DOWNLIGHT WITH REMOTE POWER



REV 04.07.20

**LENGTH CHART** Actual lengths for Nova Ceiling Downlight - Remote Power Supply

22K, 27K, 30K, 35K, 40K, 57K, 2K4K & RGB				
ORDERING CODE (NOMINAL SIZE)	ACTUAL LENGTH (INCHES)	ACTUAL LENGTH (CHROME)	ORDERING CODE (NOMINAL SIZE)	ACTUAL LENGTH (INCHES)
12	13.3	13.3	130	131.3
15	15.7	15.7	132	133.7
17	18.1	18.1	135	136.1
20	20.5	20.5	137	138.5
22	22.9	22.9	140	140.9
24	25.3	25.3	142	143.3
27	27.7	27.7	144	145.7
29	30.1	30.1	147	148.1
32	32.5	32.5	149	150.5
34	34.9	34.9	152	152.9
36	37.3	37.3	154	155.3
39	39.7	39.7	156	157.7
41	42.1	42.1	159	160.1
44	44.5	44.5	161	162.5
46	46.9	46.9	164	164.9
48	49.3	49.3	166	167.3
51	51.7	51.7	168	169.7
53	54.1	54.1	171	172.1
56	56.5	56.5	173	174.5
58	58.9	58.9	176	176.9
60	61.3	61.3	178	179.3
63	63.7	63.7	180	181.7
65	66.1	66.1	183	184.1
68	68.5	68.5	185	186.5
70	70.9	70.9	188	188.9
72	73.3	73.3	190	191.3
75	75.7	75.7	192	193.7
77	78.1	78.1	195	196.1
80	80.5	80.5	197	198.5
82	82.9	82.9	200	200.9
84 (Max for Chrome)	85.3	85.3	202	203.3
87	87.7		204	205.7
89	90.1		207	208.1
92	92.5		209	210.5
94	94.9		212	212.9
96	97.3		214	215.3
99	99.7		216	217.7
101	102.1		219	220.1
104	104.5		221	222.5
106	106.9		224	224.9
108	109.3		226	227.3
111	111.7		228	229.7
113	114.1		231	232.1
116	116.5		233	234.5
118	118.9		236	236.9
120 (Max shipping length)	121.3		238	239.3
123	124.1		240	241.7
125	126.5			
128	128.9			

PROJECT		FIXTURE TYPE		DATE	
---------	--	--------------	--	------	--



**NOVA**

DOWNLIGHT WITH REMOTE POWER



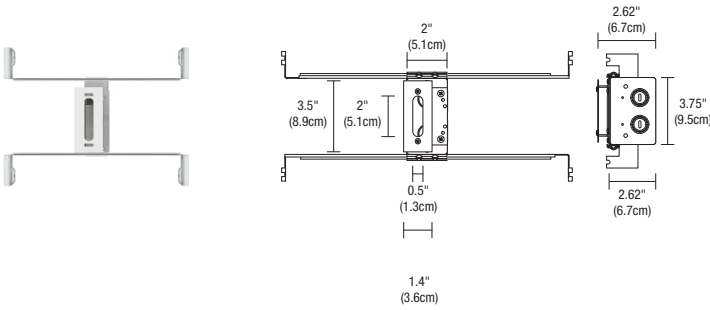
REV 04.07.20

**LENGTH CHART** Actual lengths for Nova Ceiling Downlight - Remote Power Supply

270 & 300				
ORDERING CODE (NOMINAL SIZE)	ACTUAL LENGTH (INCHES)	ACTUAL LENGTH (CHROME)	ORDERING CODE (NOMINAL SIZE)	ACTUAL LENGTH (INCHES)
12	13.4	13.4	129	130.8
15	16.4	16.4	132	133.8
18	19.4	19.4	135	136.8
21	22.4	22.4	138	139.8
24	25.4	25.4	141	142.8
27	28.4	28.4	144	145.8
30	31.4	31.4	147	148.8
33	34.4	34.4	150	151.8
36	37.4	37.4	153	154.8
39	40.4	40.4	156	157.8
42	43.4	43.4	159	160.8
45	46.4	46.4	162	163.8
48	49.4	49.4	165	166.8
51	52.4	52.4	168	169.8
54	55.4	55.4	171	172.8
57	58.4	58.4	174	175.8
60	61.4	61.4	177	178.8
63	64.4	64.4	180	181.8
66	67.4	67.4	183	184.8
69	70.4	70.4	186	187.8
72	73.4	73.4	189	190.8
75	76.4	76.4	192	193.8
78	79.4	79.4	195	196.8
81	82.4	82.4	198	199.8
84 (Max for Chrome)	85.4		201	202.8
87	88.4		204	205.8
90	91.4		207	208.8
93	94.4		210	211.8
96	97.4		213	214.8
99	100.4		216	217.8
102	103.4		219	220.8
105	106.4		222	223.8
108	109.4		225	226.8
111	112.4		228	229.8
114	115.4		231	232.8
117	118.4		234	235.8
120 (Max Shipping Length)	121.4		237	238.8
123	124.8		240	241.8
126	127.8			

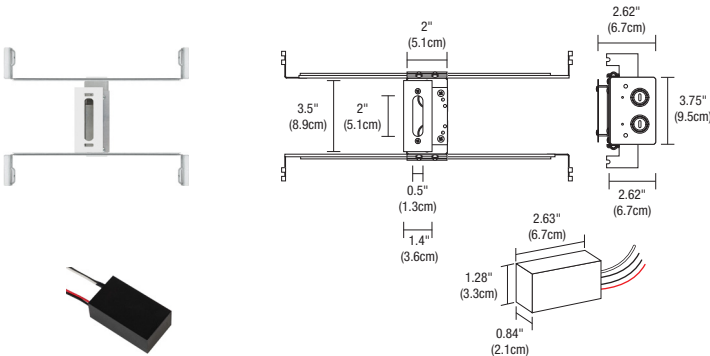
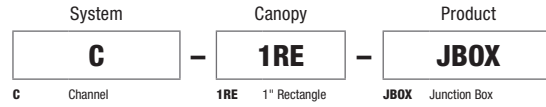
PROJECT		FIXTURE TYPE		DATE	
---------	--	--------------	--	------	--

**Components:** J-box, Split Canopies, and Mounting Clips are included and sold separately for replacement



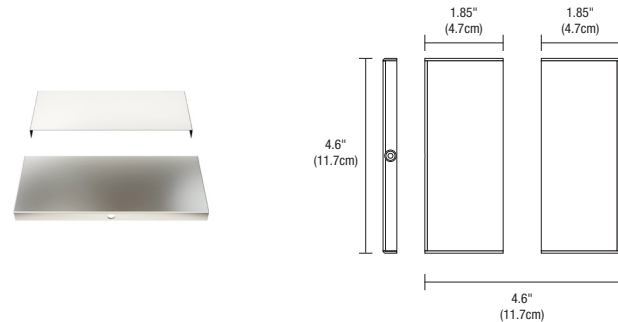
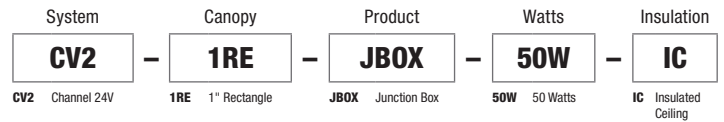
**1" Rectangle Canopy and J-box (Included, with 1R selected in fixture ordering code)**

The Slim-Profile Junction Box with hanger bars mounts to studs spaced between 14.5 and 25 inches apart behind drywall. Allows low voltage DC wires from remote power supply to connect to channel wires. The junction box opening is covered by the fixture for a clean, safe connection. Includes a goof plate, for poor plastering around j-box.



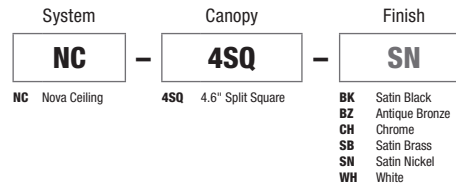
**1" Rectangle Canopy and J-box with 50W Power Supply (Order Separately)**

The Slim-Profile Junction Box with hanger bars mounts to studs spaced between 14.5 and 25 inches apart behind drywall. Allows low voltage DC wires from included power supply to connect to channel wires. The junction box opening is covered by the fixture for a clean, safe connection. For Non-Insulated Ceiling or wall Power Supply is rated at 60 watts. For Insulated Ceiling it's rated at 50 watts. Includes a goof plate, for poor plastering around j-box.



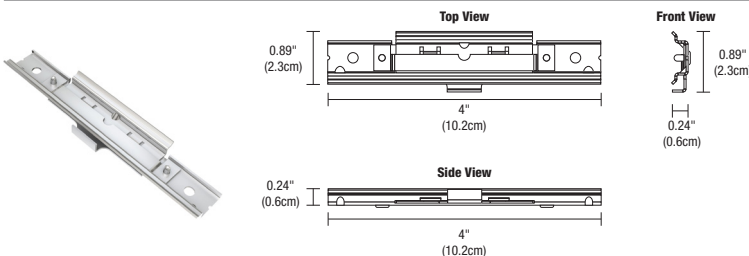
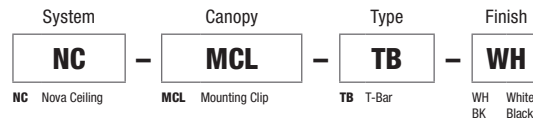
**4" Square Split Canopy (Included, with 4S selected in fixture ordering code)**

The 4 inch square canopy fits on a standard 4 inch electrical box with round plaster ring. It fits flush along channel while covering junction box. The Canopy may float anywhere along the channel and comes in five finishes.



**Ceiling Mounting T-Bar Clip (Included)**

Included with all Channels, 1 per 2'. Mounts flush anywhere along the T-Bar grid.



**Ceiling Mounting Locking Clip (Included)**

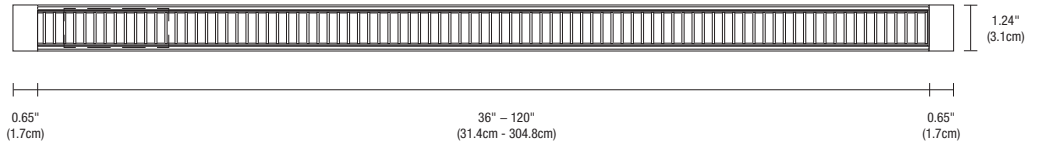
Ceiling Mounting Locking clips are provided with every two feet of Nova Channel and may be ordered separately as replacement parts. The channel slides into the clip and locks in place staying securely fastened to the ceiling.



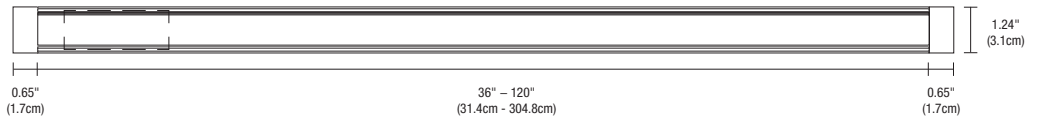
PROJECT	FIXTURE TYPE	DATE
---------	--------------	------

**Drawings:** Drawings are shown with 1 inch rectangle canopy and 4 inch square split canopy

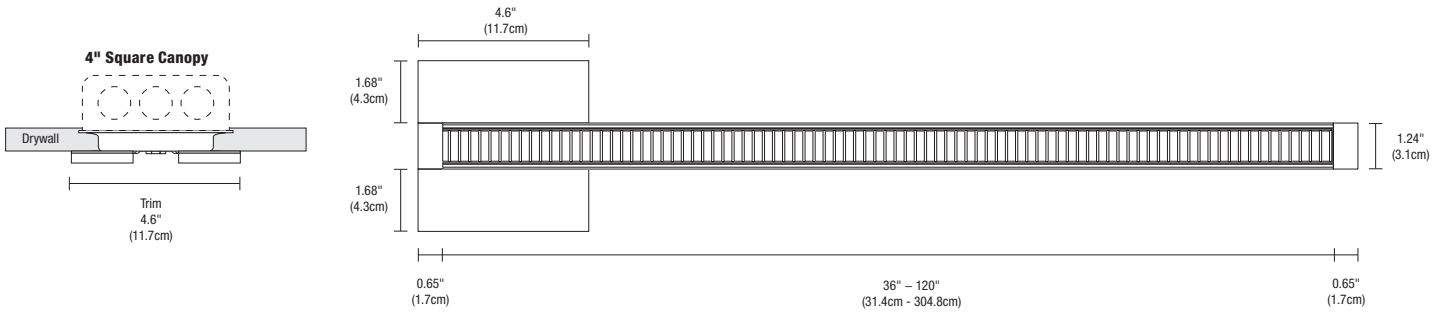
**1" Rectangular Canopy Shown with Louver - Bottom View**



**1" Rectangular Canopy Shown without Louver - Bottom View**



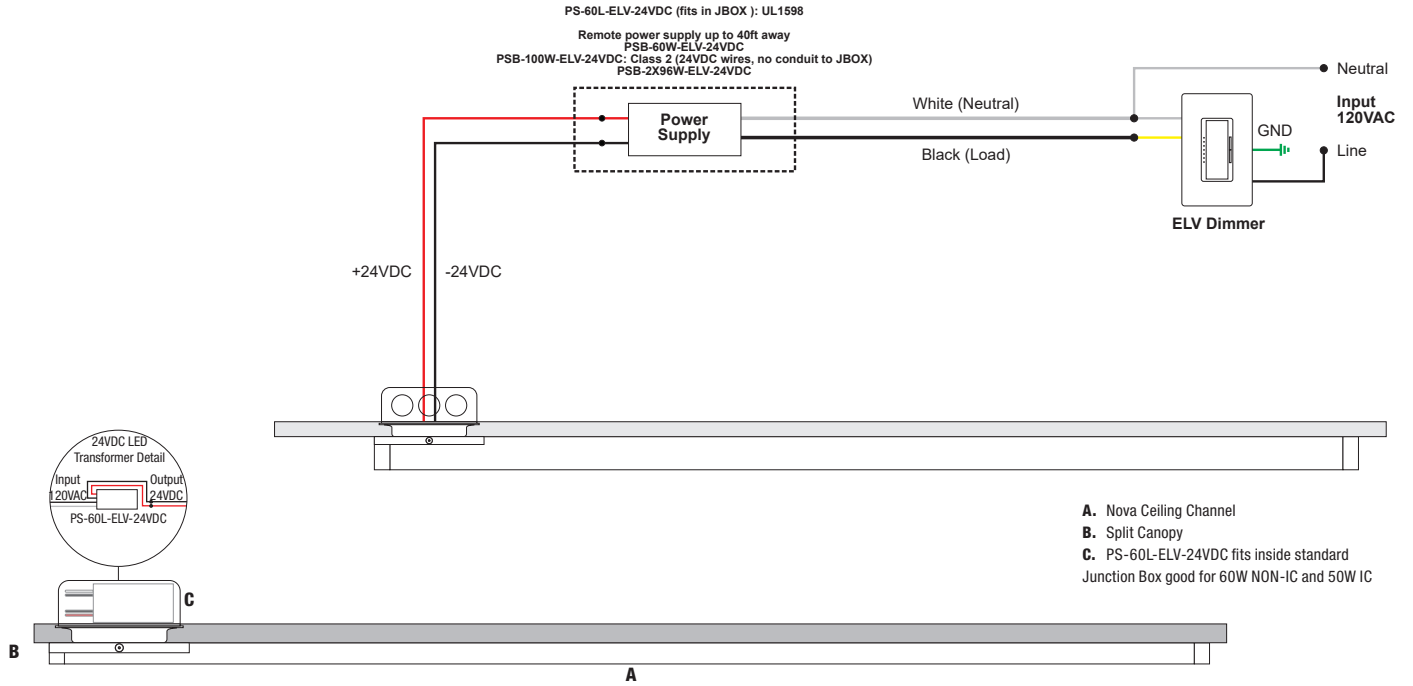
**4" Square Split Canopy Shown with Louver - Bottom View**



PROJECT	FIXTURE TYPE	DATE
---------	--------------	------

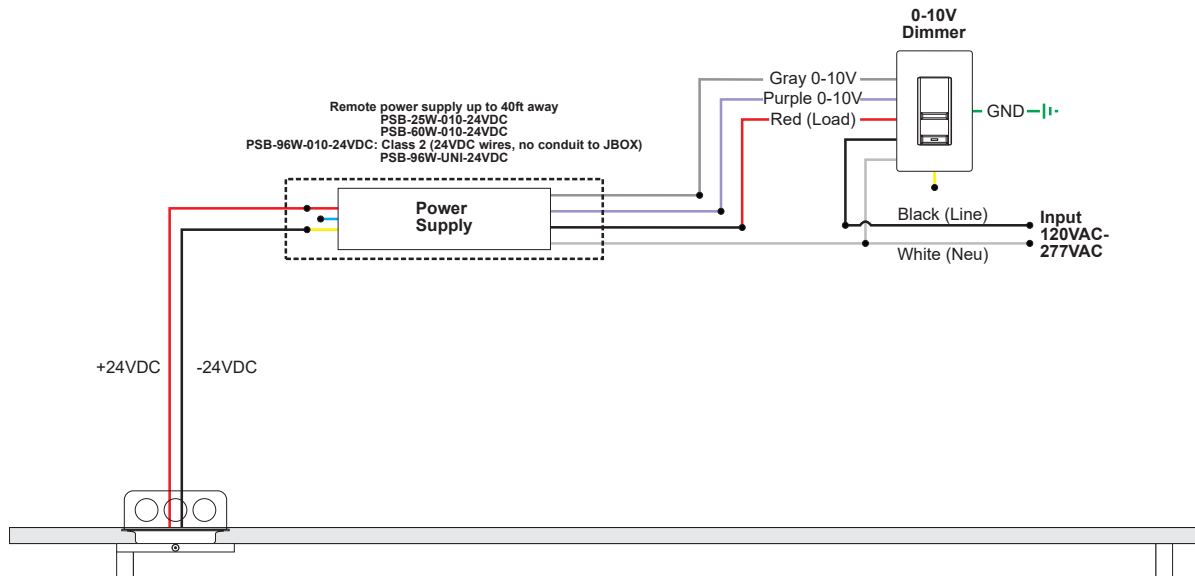
**Wiring Diagram:** Wiring diagram for Static White with ELV Dimmer

- Application:** ELV dimming for Nova Ceiling Downlight, Static White
- Power Supply:** Class 2, 24VDC output: 120VAC input, PS-60L-ELV-24VDC (Fits in J-box)
- Remote Power Supplies:** PSB-60W-ELV-24VDC, PSB-100W-ELV-24VDC, UL 2108: PSB-2X96ELV-24VDC
- Dimming:** Dimmable with ELV dimmer: Legrand, Adorne ADTP703TU; Lutron: Diva DVELV-300P, Skylark SELV-300P, Maestro MAELV-600 and Radio Ra 2



**Wiring Diagram:** Wiring diagram for Static White with 0-10 Dimmer

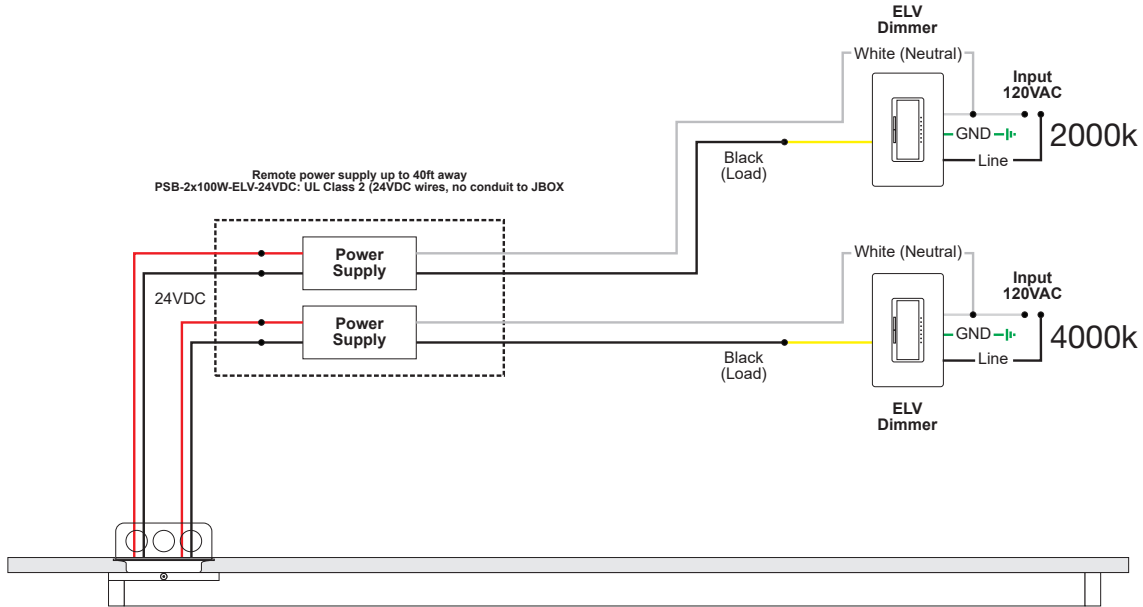
- Application:** 0-10V dimming for Nova Ceiling Downlight, Static White
- Remote Power Supplies:** UL Class 2, 24VDC output: 120-277VAC input, PSB-25W-010-24VDC; PSB-60W-010-24VDC, PSB-96W-010-24VDC PSB-96W-UNI-24VDC
- Dimming:** Dimmable with 0-10 dimmer: Philips: Sunrise SR1200ZTUNV; Lutron: Diva DDTV-WH, Nova-T NTSTV-DV-XX, Grafix Eye QS QSGRJ-XP, Radio RA2 RRD-1 ND; Leviton: LEV40050, IP710-LFZ; Legrand ADPD4FBL3P2W4



PROJECT		FIXTURE TYPE		DATE	
---------	--	--------------	--	------	--

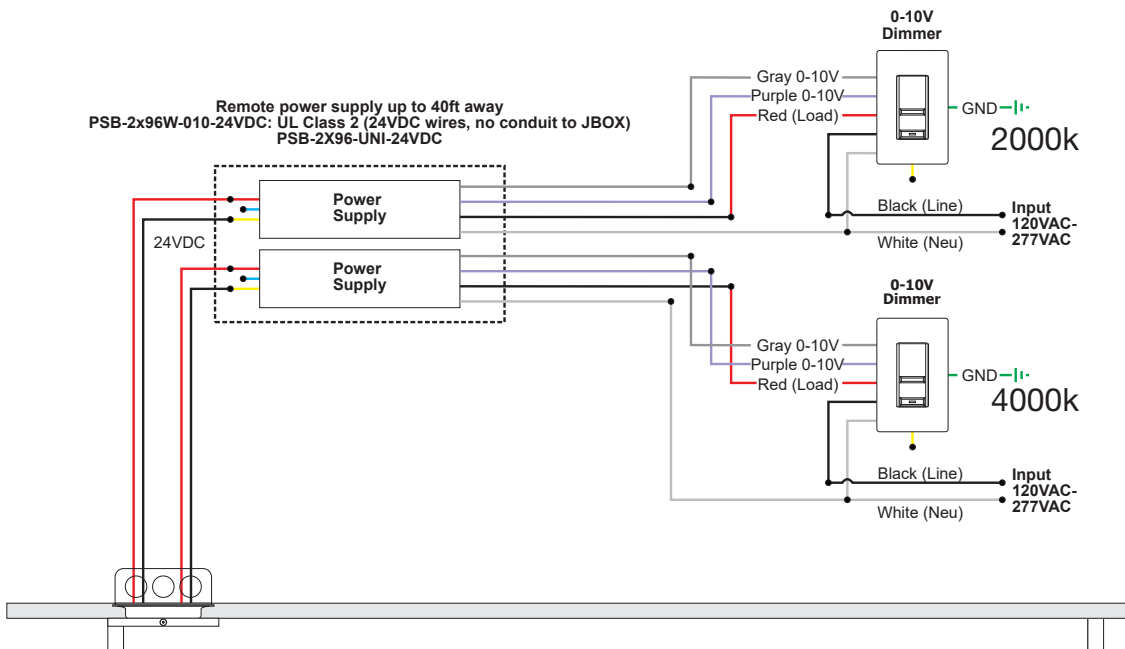
**Wiring Diagram:** Wiring diagram for Tunable White with Dual ELV Dimmers

- Application:** ELV dimming for Nova Ceiling Downlight, Tunable White 2000K-4000K
- Remote Power Supplies:** Class 2, 24VDC output: 120VAC input, PSB-2X100W-ELV-24VDC: Class 2 (24VDC wires, no conduit to J-box)
- Dimming:** Dimmable with ELV dimmer: Legrand, Adorne ADTP703TU; Lutron: Diva DVELV-300P, Skylark SELV-300P, Maestro MAELV-600 and Radio Ra 2



**Wiring Diagram:** Wiring diagram for Tunable White with Dual 0-10 Dimmers

- Application:** 0-10V dimming for Nova Ceiling Downlight, Tunable White 2000K-4000K
- Remote Power Supplies:** Class 2, 24VDC output: 120/277VAC input, PSB-2X96W-010-24VDC: Class 2 (24VDC wires, no conduit to J-box) PSB-2X96-UNI-24VDC
- Dimming:** Dimmable with 0-10 dimmer: Philips: Sunrise SR1200ZTUNV; Lutron: Diva DVTV-WH, Nova-T NTSTV-DV-XX, Grafix Eye QS QSGRJ-XP, Radio RA2 RRD-1 ND; Leviton: LEV40050, IP710-LFZ; Legrand ADPD4FBL3P2W4



PROJECT	FIXTURE TYPE	DATE
---------	--------------	------

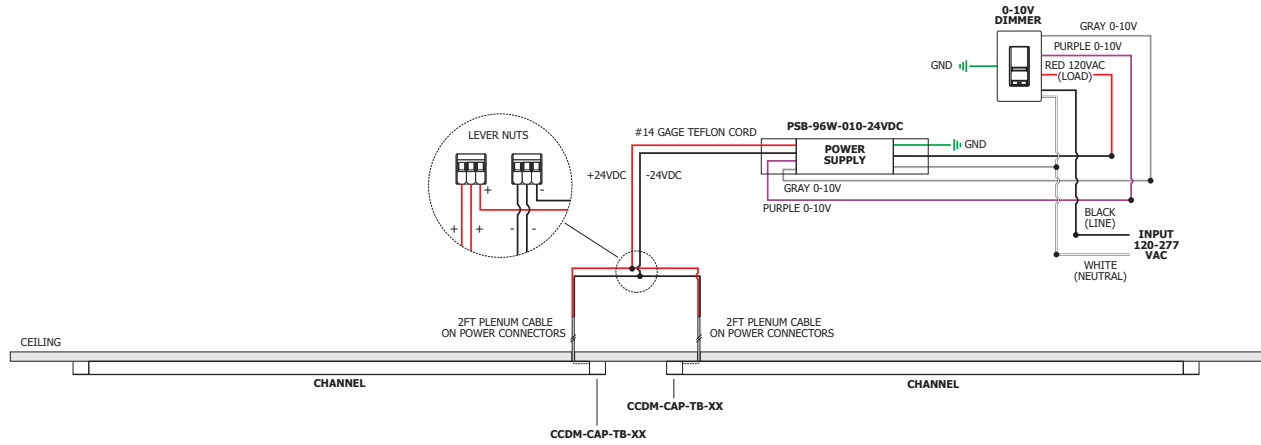


**Wiring Diagram:** Wiring diagram for Static White with 0-10 Dimmer

**Application:** 0-10V dimming for Nova, Static White

**Remote Power Supplies:** UL Class 2, 24VDC output: 120-277VAC input, PSB-25W-010-24VDC; PSB-60W-010-24VDC, PSB-96W-010-24VDC

**Dimming:** Dimmable with 0-10 dimmer: Philips: Sunrise SR1200ZTUNV; Lutron: Diva DVSTV-WH, Nova-T NTSTV-DV-XX, Grafix Eye QS QSGRJ-XP, Leviton: LEV40050, IP710-LFZ; Legrand ADPD4FBL3P2W4



Included with power connectors

**CLASS 2 TEFLON® CABLE**

Class 2 two wire 14 Gage Teflon® Cable, order from 10ft to 250 FT. Also known as plenum cable, this cable is designated CL3P and CMP, so it has flame-resistant, low-smoke insulation and can be used without conduit in duct work and above a drop ceiling for class 2 wiring.

System	Gauge	Length	Finish
<b>TFC2W</b>	<b>14GA</b>	<b>250FT</b>	<b>GY</b>
TFC2W Teflon® Class 2 Wire	14GA 14 Gauge	10FT 10 Feet 20FT 20 Feet 50FT 50 Feet 100FT 100 Feet 250FT 250 Feet	GY Grey

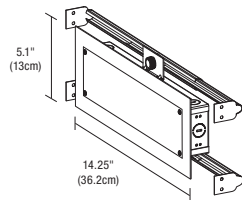
PROJECT	FIXTURE TYPE	DATE
---------	--------------	------

ELECTRONIC LOW-VOLTAGE (ELV) POWER SUPPLIES & RECOMMENDED DIMMERS†‡				
ORDERING CODES	PSB-60L-ELV-24VDC 	PSB-60W-ELV-24VDC 	PSB-2X60W-ELV-24VDC 	PSB-100W-ELV-24VDC 
SPECIFICATIONS				
MAXIMUM LOAD	60W NON-IC, 50W-IC (FITS IN JBOX)	60W	2X60W	96W
INPUT VOLTAGE	120VAC	120VAC	120VAC	120VAC
OUTPUT VOLTAGE	24VDC	24VDC	24VDC	24VDC
DIMENSIONS	2.25" X 1.25" X 0.83"	8.125" X 2" X 1.75"	12.15" X 6.48" X 2.18"	9.25" X 3.5" X 2"
CLASSIFICATION	CLASS 2	CLASS 2	CLASS 2	CLASS 2
IN WALL MOUNTING	N/A	PSB-60W-ELV-24VDC-IW	PSB-2X60W-ELV-24VDC-IW	PSB-100W-ELV-24VDC-IW
ELECTRONIC LOW-VOLTAGE (ELV) POWER SUPPLIES & RECOMMENDED DIMMERS†‡				
ORDERING CODES	PSB-2X100W-ELV-24VDC 	PSB-3X100W-ELV-24VDC 	PSB-4X100W-ELV-24VDC 	
SPECIFICATIONS				
MAXIMUM LOAD	2X96W	3X96W	4X96W	
INPUT VOLTAGE	120VAC	120VAC	120VAC	
OUTPUT VOLTAGE	24VDC	24VDC	24VDC	
DIMENSIONS	12.15" X 6.48" X 2.18"	14" X 10" X 3"	17" X 13" X 3"	
CLASSIFICATION	CLASS 2	CLASS 2	CLASS 2	
IN WALL MOUNTING	PSB-2X100W-ELV-24VDC-IW	N/A	N/A	
DIMMING AND CONTROLS				
LUTRON DIVA: DVELV-300P	•	•	•	
LUTRON SKYLARK: SELV-300P	•	•	•	
LUTRON RADIO RA2: RRD-6NA	•	•	•	
LUTRON MAESTRO: MAELV-600	•	•	•	
LEGRAND ADORNE: ADTP-703TUM4	•	•	•	

†22K - 57K color temperatures are compatible with 0-10V, ELV, and Lutron Hi-lume® Power Supplies. Warm Dim (27D, 30D) color temperatures are only compatible with ELV power supplies. Tunable White (2K4K) color temperature is compatible with 0-10V, ELV, DMX, and Lutron Hi-lume® Power Supplies. Dynamic Color (RGB, RGB+W) and Static Color (Amber, Blue, Green, or Red) are compatible with DMX Power Supplies.

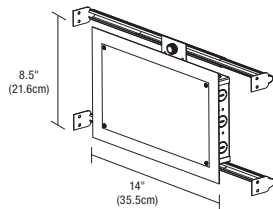
‡Electrical Panels using Seimens/Murray AFCI breakers are not compatible with this ELV transformer. Use 0-10 Volt power supplies with this breaker

With N-Lite Dimming Do not use ELV power supplies, use only 0-10 volt or Uni drivers power supplies



**5.1 x 14.25 inch In-Wall Mounting Kit:** Includes power supply, box cover and stud hangers for installing Junction Box in wall. Select "IW" in the options section of compatible power supply ordering codes if an In-Wall Mounting Kit is needed.

**Ordering Codes:** PSB-60W-ELV-24VDC-IW  
PSB-100W-ELV-24VDC-IW



**8.5 x 14 inch In-Wall Mounting Kit:** Includes power supply, box cover and stud hangers for installing Junction Box in wall. Select "IW" in the options section of compatible power supply ordering codes if an In-Wall Mounting Kit is needed.

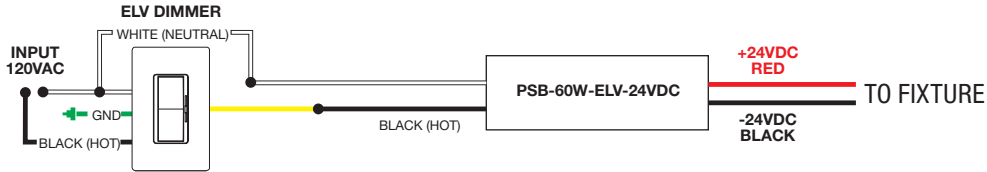
**Ordering Codes:** PSB-2X60W-ELV-24VDC-IW  
PSB-2X100W-ELV-24VDC-IW

PROJECT	FIXTURE TYPE	DATE
---------	--------------	------

**SAMPLE WIRING DIAGRAMS 24VDC ELV**

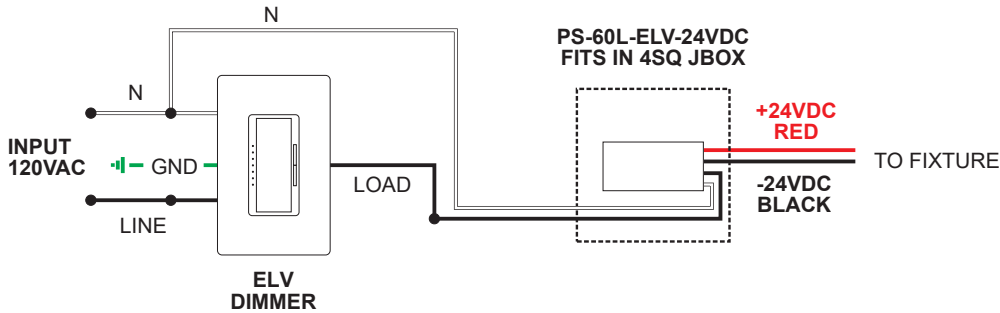
**Application:** ELV dimming for Static White

**Dimming:** Dimmable with ELV dimmer: Legrand, Adorne ADTP703TU; Lutron: Diva DVELV-300P, Skylark SELV-300P, Maestro MAELV-600 and Radio Ra 2



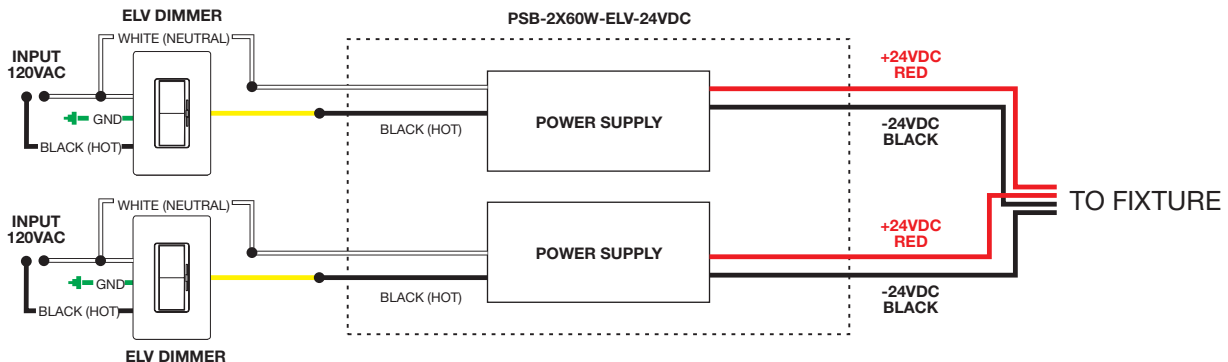
**Application:** ELV dimming for Static White

**Dimming:** Dimmable with ELV dimmer: Legrand, Adorne ADTP703TU; Lutron: Diva DVELV-300P, Skylark SELV-300P, Maestro MAELV-600 and Radio Ra 2









**Application:** Dual ELV dimming for Dynamic/Tunable White 2000K-4000K

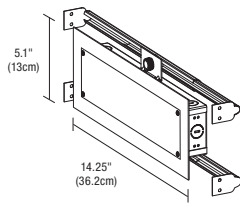
**Dimming:** Dimmable with ELV dimmer: Legrand, Adorne ADTP703TU; Lutron: Diva DVELV-300P, Skylark SELV-300P, Maestro MAELV-600 and Radio Ra 2



PROJECT	FIXTURE TYPE	DATE
---------	--------------	------

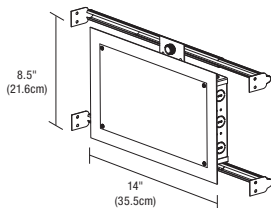
0-10 VOLT (010) POWER SUPPLIES & RECOMMENDED DIMMERS†				
ORDERING CODE	PSB-25W-010-24VDC 	PSB-60W-010-24VDC 	PSB-96W-010-24VDC 	PSB-2X96W-010-24VDC 
SPECIFICATIONS				
MAXIMUM LOAD	25W	60W	96W	2X96W
INPUT VOLTAGE	120VAC	120-277VAC	120-277VAC	120-277VAC
OUTPUT VOLTAGE	24VDC	24VDC	24VDC	24VDC
DIMENSIONS	12.4" X 3.12" X 2.18"	12.4" X 3.12" X 2.18"	12.4" X 3.12" X 2.18"	12.15" X 6.48" X 2.18"
CLASSIFICATION	CLASS 2	CLASS 2	CLASS 2	CLASS 2
IN-WALL MOUNTING	PSB-25W-010-24VDC-IW	PSB-60W-010-24VDC-IW	PSB-96W-010-24VDC-IW	PSB-2X96W-010-24VDC-IW

0-10 VOLT (010) POWER SUPPLIES & RECOMMENDED DIMMERS†			
ORDERING CODE	PSB-3X96W-010-24VDC 	PSB-4X96W-010-24VDC 	
SPECIFICATIONS			
MAXIMUM LOAD	3X96W	4X96W	
INPUT VOLTAGE	120-277VAC	120-277VAC	
OUTPUT VOLTAGE	24VDC	24VDC	
DIMENSIONS	14" X 10" X 3"	17" X 13" X 3"	
CLASSIFICATION	CLASS 2	CLASS 2	
IN-WALL MOUNTING	N/A	N/A	
DIMMING & CONTROLS			
PHILIPS SUNRISE: SR1200ZTUNV	•	•	
LUTRON DIVA: DVTV-WH, DVSTV-WH	•	•	
LUTRON NOVA T: NTSTV-DV-XX	•	•	
LUTRON GRAFIX EYE QS: QSGRJ-XP	•	•	
LUTRON RADIO RA2: RRD-10ND	•	•	
LEVITON: LEV40050	•	•	
LEVITON IP710-LFZ	•	•	
LEGRAND: ADPD4FBL3P2W4	•	•	



**5.1 x 14.25 inch In-Wall Mounting Kit:** Includes power supply, box cover and stud hangers for installing Junction Box in wall. Select "IW" in the options section of compatible power supply ordering codes if an In-Wall Mounting Kit is needed.

**Ordering Codes:** PSB-25W-010-24VDC-IW, PSB-60W-010-24VDC-IW, PSB-96W-010-24VDC-IW



**8.5 x 14 inch In-Wall Mounting Kit:** Includes power supply, box cover and stud hangers for installing Junction Box in wall. Select "IW" in the options section of compatible power supply ordering codes if an In-Wall Mounting Kit is needed.

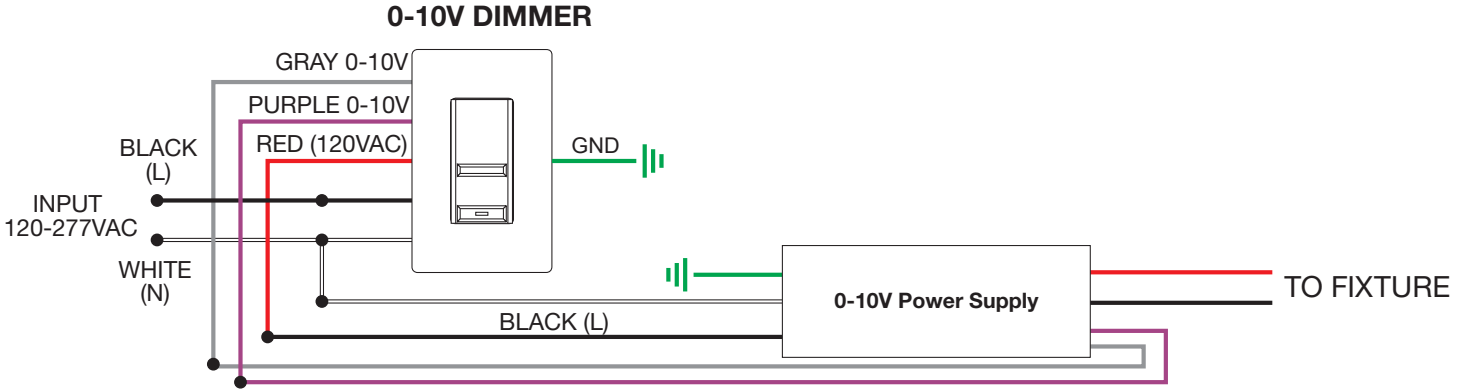
**Ordering Codes:** PSB-2X96W-010-24VDC-IW

PROJECT	FIXTURE TYPE	DATE
---------	--------------	------

**SAMPLE WIRING DIAGRAMS 24VDC 010**

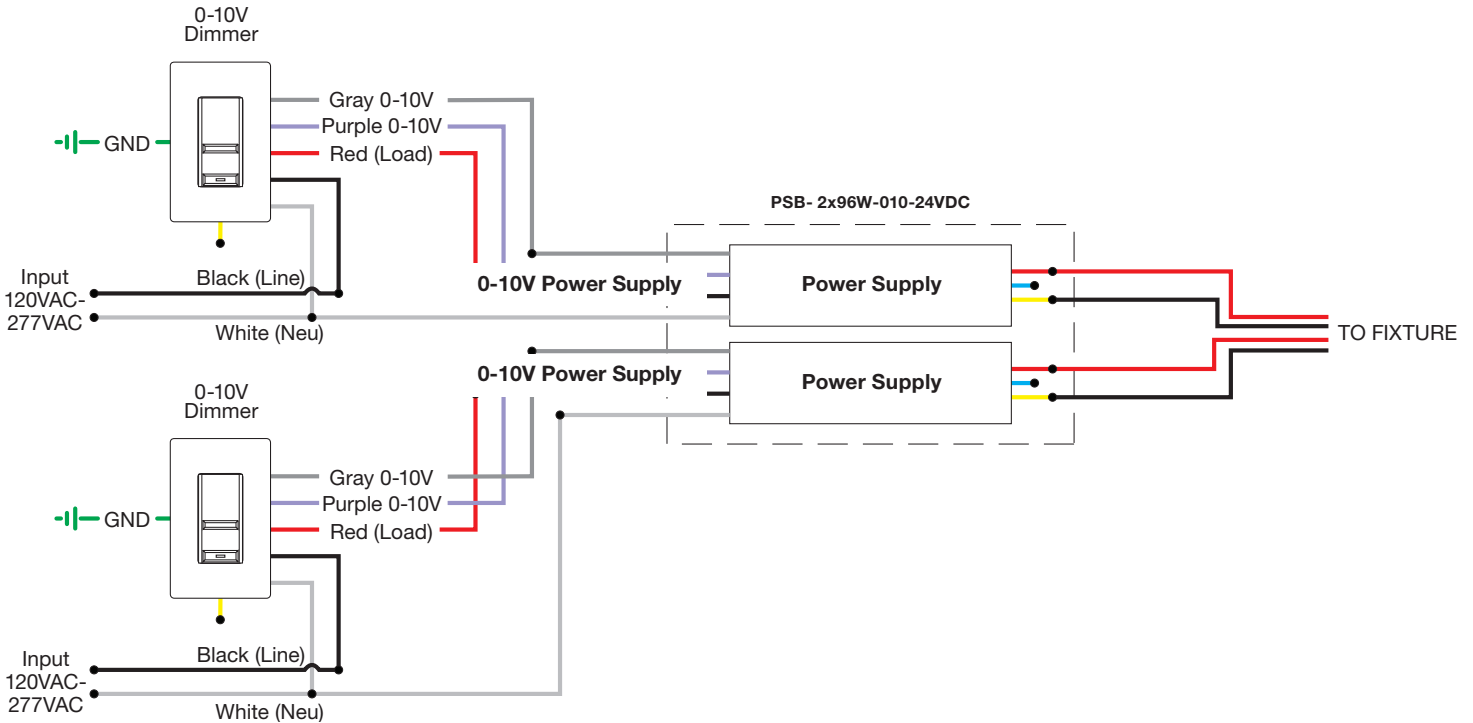
**Application:** 0-10V Dimming Applications For Static White and Dynamic Tunable White 0-10V Dual Dimming.

**Dimming:** Dimmable with 0-10V dimmers: Signify (Phillips) Sunrise: SR1200ZTUNV, Leviton Dimmers: LEV40050, IP710-LFZ, \*IP710-DLZ \*(Built in LED locator light) Legrand Dimmer: ADPD4FBL3P2W4 Lutron Systems: Lutron GRAFIX Eye QS Main Unit (with DRX-TVI) Radio Ra2 (with GRX-TVI)






**Application:** Dual 0-10V dimming for Dynamic/Tunable White 2000K-4000K

**Dimming:** Dimmable with Dual 0-10V dimmers: Signify (Phillips) Sunrise: SR1200ZTUNV, Leviton Dimmers: LEV40050, IP710-LFZ, \*IP710-DLZ \*(Built in LED locator light), Legrand Dimmer: ADPD4FBL3P2W4, Lutron Systems: Lutron GRAFIX Eye QS Main Unit (with DRX-TVI) Radio Ra2 (with GRX-TVI)

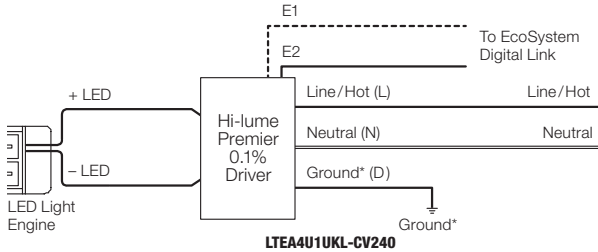


PROJECT	FIXTURE TYPE	DATE
---------	--------------	------

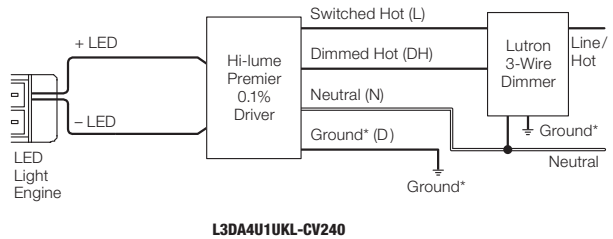
LUTRON HI-LUME® PREMIER .1% ECOSYSTEM®†			
ORDERING CODES	L3D0-96W24V-U	2-WIRE ECOSYSTEM LTEA4U1UKL-CV240	3-WIRE ECOSYSTEM L3DA4U1UKL-CV240
			
SPECIFICATIONS			
MAXIMUM LOAD	96W	5W-40W	5W-40W
INPUT VOLTAGE	120-277VAC	120-277VAC	120-277VAC
OUTPUT VOLTAGE	24VDC	24VDC	24VDC
DIMENSIONS	10.5" X 5.5" X 2"	4" X 4.89" X 2.62"	4" X 4.89" X 2.62"
CLASSIFICATION	CLASS 2	CLASS 2	CLASS 2
DIMMING AND CONTROLS			
RADIO RA2	•	•	•
HOMEWORKS QS	•	•	•
PHPM-3F-120	•	•	•
PHPM-3F-DV	•	•	•
BCI-0-10	•	•	•

†24K - 57K color temperatures are compatible with 0-10V, ELV, and Lutron Hi-lume® Power Supplies. Warm Dim (27D, 30D) color temperatures are only compatible with ELV power supplies.

**2-Wire EcoSystem Wiring Diagram**




**3-Wire Wiring Diagram**



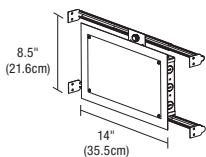
**24VDC, DALI**

**REQUIRED COMPONENTS 24VDC DMX RGB Compatible Power Supplies**

DALI DYNAMIC COLOR CHANGING (DMX) POWER SUPPLIES & RECOMMENDED CONTROLLERS†	
ORDERING CODE	PSB-100W-24VDC-DALI
	
SPECIFICATIONS	
MAXIMUM LOAD	100W
INPUT VOLTAGE	120-277VAC
OUTPUT VOLTAGE	24VDC
DIMENSIONS	12.14" X 6.48" X 2.18"
CLASSIFICATION	CLASS 2
IN-WALL MOUNTING	PSB-100W-24VDC-DALI-IW
DIMMING & CONTROLS	
TOUCH SCREEN CONTROLLER (CTP)	•
DMX 1 ZONE RGBW TOUCH CONTROLLER (CDMX1-RGBW)	•
DALI COMPATIBLE	•

†2400K-5700K Color Temperatures are compatible with 0-10V, ELV, and Lutron Hi-lume® Power Supplies. Warm Dim (27D, 30D) Color Temperatures are only compatible with ELV Power Supplies. Tunable White (2K4K) Color Temperature is compatible with 0-10V, ELV, DMX, and Lutron Hi-lume® Power Supplies. Dynamic Color (RGB, RGB+W) and Static Color (Amber, Blue, Green, or Red) are compatible with DMX Power Supplies.

Classification: UL2108 - \* 24VDC over 100 Watts, wires must be in conduit from Remote Power Supply to J-box.



**8.5" X 14" IN-WALL MOUNTING KIT**









Includes Power Supply, Box Cover, and Stud Hangers for installing Junction Box in wall. Select "IW" in the options section of compatible Power Supply ordering codes if an In-Wall Mounting Kit is needed.

**ORDERING CODES:** PSB-100W-24VDC-DALI-IW, PSB-100W-24VDC-RGB-IW

PROJECT	FIXTURE TYPE	DATE
---------	--------------	------

# INDOOR CONSTANT VOLTAGE REMOTE POWER SUPPLIES

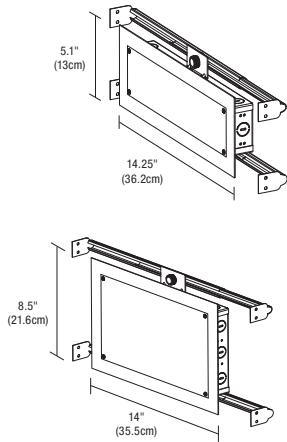
24VDC, UNI - UNIVERSAL DIMMING WITH ELV, TRIAC, & 0-10V

UNIVERSAL POWER SUPPLIES & RECOMMENDED DIMMERS				
ORDERING CODE	PSB-40W-UNI-24VDC 	PSB-60W-UNI-24VDC 	PSB-2X40W-UNI-24VDC 	PSB-2X60W-UNI-24VDC 
<b>SPECIFICATIONS</b>				
MAXIMUM LOAD	40W	60W	2X40W	2X60W
INPUT VOLTAGE	120-277VAC	120-277VAC	120-277VAC	120-277VAC
OUTPUT VOLTAGE	24VDC	24VDC	24VDC	24VDC
DIMENSIONS	12.4" X 3.12" X 2.18"	12.4" X 3.12" X 2.18"	12.15" X 6.48" X 2.18"	12.15" X 6.48" X 2.18"
CLASSIFICATION	CLASS 2	CLASS 2	CLASS 2	CLASS 2
IN-WALL MOUNTING	PSB-40W-UNI-24VDC-IW	PSB-60W-UNI-24VDC-IW	PSB-2X40W-UNI-24VDC-IW	PSB-2X60W-UNI-24VDC-IW
UNIVERSAL POWER SUPPLIES & RECOMMENDED DIMMERS				
ORDERING CODE	PSB-96W-UNI-24VDC 	PSB-2X96W-UNI-24VDC 	PSB-3X96W-UNI-24VDC 	PSB-4X96W-UNI-24VDC 
<b>SPECIFICATIONS</b>				
MAXIMUM LOAD	96W	2X96W	3X96W	4X96W
INPUT VOLTAGE	120-277VAC	120-277VAC	120-277VAC	120-277VAC
OUTPUT VOLTAGE	24VDC	24VDC	24VDC	24VDC
DIMENSIONS	12.4" X 3.12" X 2.18"	12.15" X 6.48" X 2.18"	14" X 10" X 3"	17" X 13" X 3"
CLASSIFICATION	CLASS 2	CLASS 2	CLASS 2	CLASS 2
IN-WALL MOUNTING	PSB-96W-UNI-24VDC-IW	PSB-2X96W-UNI-24VDC-IW	NA	NA
<b>ELV DIMMING &amp; CONTROLS</b>				
LUTRON DIVA: DVELV-300P	•	•	•	•
LUTRON SKYLARK: SELV-300P	•	•	•	•
LUTRON RADIO RA2: RRD-6NA	•	•	•	•
LUTRON MAESTRO: MAELV-600	•	•	•	•
LEGRAND ADORNE: ADTP-703TUM4	•	•	•	•
<b>0-10 DIMMING &amp; CONTROLS</b>				
PHILIPS SUNRISE: SR1200ZTUNV	•	•	•	•
LUTRON DIVA: DVTV-WH, DVSTV-WH	•	•	•	•
LUTRON NOVA T: NTSTV-DV-XX	•	•	•	•
LUTRON GRAFIX EYE QS: QSGRJ-XP	•	•	•	•
LUTRON RADIO RA2: RRD-10ND	•	•	•	•
LEVITON: LEV40050	•	•	•	•
LEVITON IP710-LFZ	•	•	•	•
LEGRAND: ADPD4FBL3P2W4	•	•	•	•
<b>TRIAC DIMMING &amp; CONTROLS</b>				
LUTRON SKYLARK: S2-L-WH	•	•	•	•
LUTRON DIVA DVLV-600P-WH	•	•	•	•
LUTRON DIVA DVLV-603P-WH	•	•	•	•
LUTRON MAESTRO MALV-600-WH	•	•	•	•
LUTRON MAESTRO MALV-1000-WH	•	•	•	•
LUTRON MAESTRO MA-R-XX	•	•	•	•

- Flicker free dimming
- Aluminum casing for optimal heat dissipation
- Isolated output power per NEC and UL safety requirements
- UL & ETL recognized/ listed, meets UL 8750, 1310 requirements
- Auto-reset: short circuit, overload and thermal protection
- Class 2 power supply
- Efficient, High power factor > 0.90
- The Solid State Constant Voltage Uni-Power Supply is compatible with most commercially available Dimmers:
  - Triac Dimmer : (Forward Phase) Typically used for the dimming of Incandescent and Low Voltage Magnetic Transformers
  - ELV Dimmer : (Reverse Phase) Dimming of Electronic Low Voltage Transformers and Power Supply's used for LED lighting
  - 0-10 Dimmer : Dims the Low Voltage side of a 0-10 volt power supply commonly used in large scale lighting or commercial applications.
- The Uni-Power Supply is recommended with any Siemens/Murray brand of arc fault breaker to overcome the issues with tripping the breakers with an ELV LED Low Voltage Drivers.

PROJECT	FIXTURE TYPE	DATE
---------	--------------	------

**IN WALL MOUNTING OPTIONS**



**In-Wall Mounting Kit:** Includes power supply, box cover and stud hangers for installing Junction Box in wall. Select "IW" in the options section of compatible power supply ordering codes if an In-Wall Mounting Kit is needed.

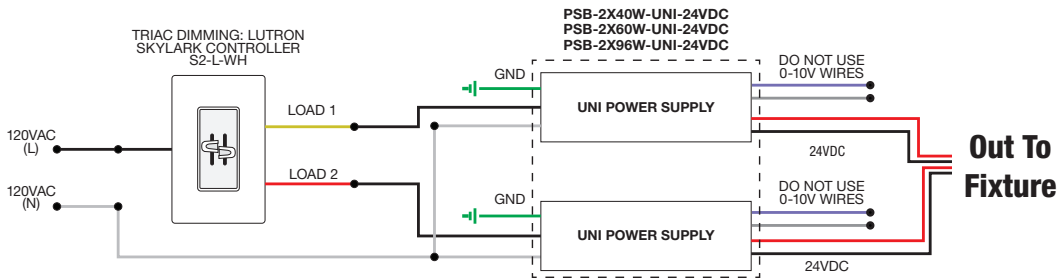
**Ordering Codes 5.1 x 14.25 inch:** PSB-40W-UNI-24VDC-IW  
PSB-60W-UNI-24VDC-IW  
PSB-96W-UNI-24VDC-IW

**Ordering Codes 8.5 x 14.25 inch:** PSB-2X40W-UNI-24VDC-IW  
PSB-2X60W-UNI-24VDC-IW  
PSB-2X96W-UNI-24VDC-IW

**WIRING DIAGRAMS UNIVERSAL POWER SUPPLY**

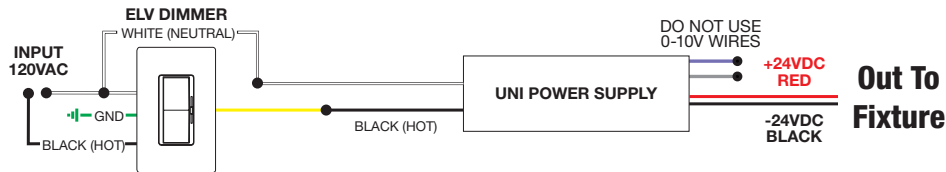
**Application:** Triac dimming for two power supplies, use for Static White, Dynamic/Tunable White 2000K-4000K

**Dimming:** Dimmable with Triac dimmer: Lutron: Skylark S2-L



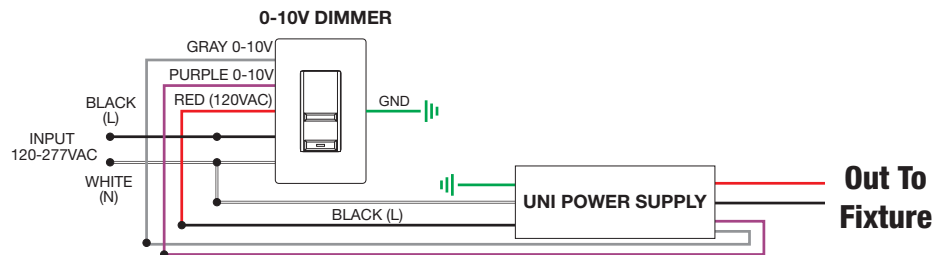
**Application:** ELV dimming for Static White and Warm Dim

**Dimming:** Dimmable with ELV dimmer: Legrand, Adorne ADTP703TU; Lutron: Diva DVELV-300P, Skylark SELV-300P, Maestro MAELV-600 and Radio Ra 2



**Application:** 0-10V dimming for Static White

**Dimming:** Dimmable with 0-10V dimmer: Philips Sunrise: SR1200ZTUNV; Lutron Diva: DVTV-WH, DVSTV-WH; Lutron Nova T: NTSTV-DV-XX; Lutron Grafix EYE QS: QSGRJ-XP; Lutron Radio Ra2: RRD-10ND; Leviton: LEV40050; Leviton IP710-LFZ; Legrand: ADPD4FBL3P2W4

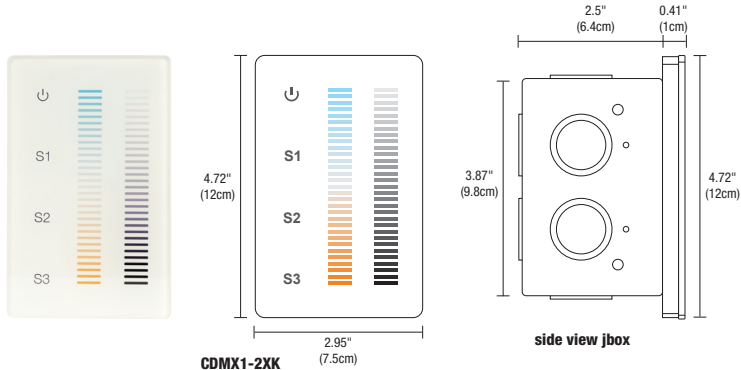


PROJECT	FIXTURE TYPE	DATE
---------	--------------	------



# INDOOR CONSTANT VOLTAGE REMOTE POWER SUPPLIES

24VDC, DYNAMIC/TUNABLE WHITE POWER SUPPLIES WITH DMX DRIVER



### Description:

The Tunable White Touch Controller is a full-touch controller that offers fast and accurate color temperature adjustment and independent brightness dimming of a single zone. Designed for dynamic/tunable white and dual-color LED installations, this controller adjusts color temperature and brightness for warm and cool white LEDs. It also saves 3 preset scenes. Independent smooth dimming with 256 level brightness adjustment enables the DMX controller to achieve many colors within the full LED spectrum. Controller includes a power adapter that fits in junction box (not included) behind the controller. It contains an illuminated back light when powered off.

### Applications:

Indoor

### Power Input:

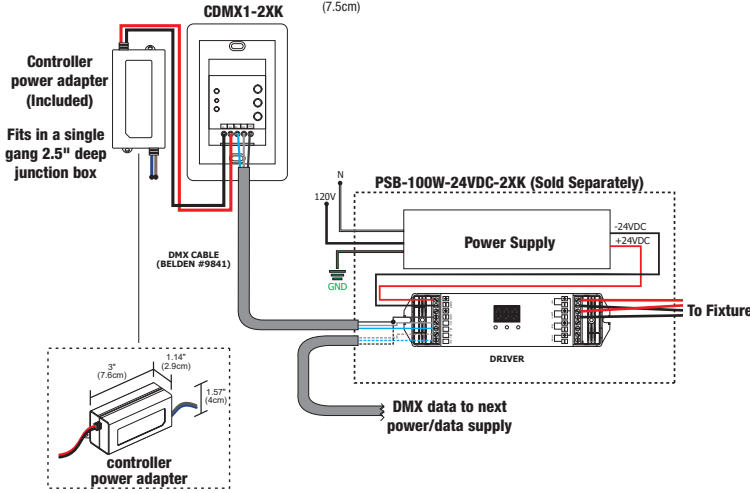
120-240VAC

### Installation:

Fits in a single gang 2.5 inch deep junction box, not to be used with a multi gang box

### Output Signal:

USITT DMX 512 (1990)



Product	Type	Finish
<b>CDMX1</b>	<b>2XK</b>	<b>WH</b>
CDMX1 DMX Single Zone Touch Controller	2XK 2 X Kelvin	WH White

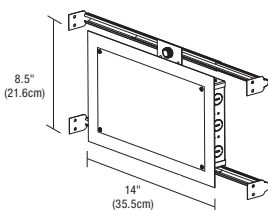
## DYNAMIC COLOR CHANGING (DMX) POWER SUPPLIES & RECOMMENDED CONTROLLERS<sup>†</sup>

ORDERING CODE	PSB-100W-24VDC-2XK	PSB-2X100W-24VDC-2XK	PSB-3X100W-24VDC-2XK	PSB-4X100W-24VDC-2XK
<b>SPECIFICATIONS</b>				
<b>MAXIMUM LOAD</b>	100W	2X100W	3X100W	4X100W
<b>INPUT VOLTAGE</b>	120-277VAC	120-277VAC	120-277VAC	120-277VAC
<b>OUTPUT VOLTAGE</b>	24VDC	24VDC	24VDC	24VDC
<b>DIMENSIONS</b>	12.4" X 6.48" X 2.18"	14" X 10" X 3"	17" X 10" X 3"	17" X 10" X 3"
<b>CLASSIFICATION</b>	CLASS 2	CLASS 2	CLASS 2	CLASS 2
<b>IN-WALL MOUNTING</b>	PSB-100W-24VDC-2XK-IW	NA	NA	NA
<b>DMX DYNAMIC/TUNABLE WHITE DIMMING &amp; CONTROLS</b>				
<b>TUNABLE WHITE TOUCH CONTROLLER (CDMX1-2XK)</b>	•	•	•	•

- Flicker free dimming
- Aluminum casing for optimal heat dissipation
- Isolated output power per NEC and UL safety requirements
- UL & ETL recognized/ listed, meets UL 8750, 1310 requirements
- Auto-reset; short circuit, overload and thermal protection
- Class 2 power supply
- Efficient, High power factor > 0.90

- The Solid State Constant Voltage Uni-Power Supply is compatible with most commercially available Dimmers:
  - Triac Dimmer: (Forward Phase) Typically used for the dimming of Incandescent and Low Voltage Magnetic Transformers
  - ELV Dimmer: (Reverse Phase) Dimming of Electronic Low Voltage Transformers and Power Supply's used for LED lighting
  - 0-10 Dimmer: Dims the Low Voltage side of a 0-10 volt power supply commonly used in large scale lighting or commercial applications.
- The Uni-Power Supply is recommended with any Siemens/Murray brand of arc fault breaker to overcome the issues with tripping the breakers with an ELV LED Low Voltage Drivers.

## IN WALL MOUNTING OPTIONS



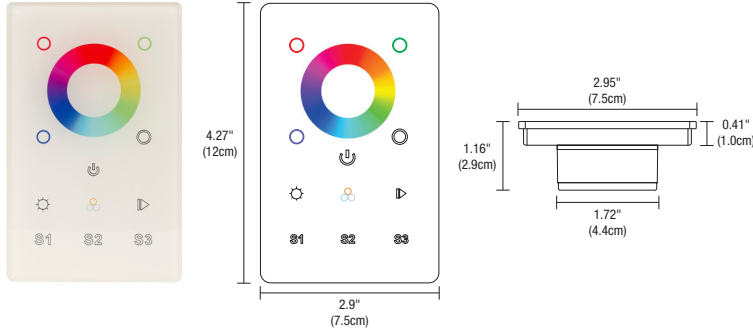
**8.5 x 14 inch In-Wall Mounting Kit:** Includes power supply, box cover and stud hangers for installing Junction Box in wall. Select "IW" in the options section of compatible power supply ordering codes if an In-Wall Mounting Kit is needed.

**Ordering Codes:** PSB-100W-24VDC-2XK-IW

PROJECT	FIXTURE TYPE	DATE
---------	--------------	------

# INDOOR DMX REMOTE POWER SUPPLIES

24VDC 1-ZONE DIMMER WITH DYNAMIC COLOR CHANGING DMX 512 PROTOCOL RGB AND RGBW



**Description:**

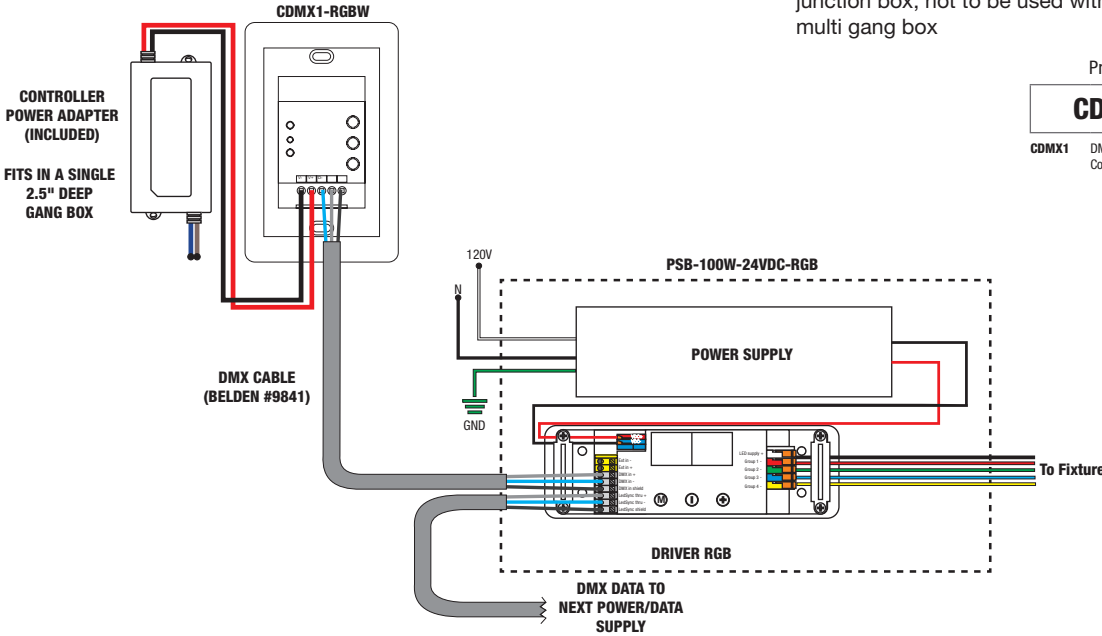
Full touch controller offers fast and accurate color tone adjustment and independent brightness control. The 1 zone controller can adjust RGB and RGBW LEDs smoothly and accurately. Independent smooth dimming of each channel enables the controller to achieve millions of colors. For indoor applications only, and includes a Power Adapter to operate the controller.

**Applications:**  
Indoor

**Power Input:**  
120-277VAC

**Installation:**  
Fits in a single gang 2.5 inch deep junction box, not to be used with a multi gang box

**Output Signal:**  
USITT DMX 512 (1990)

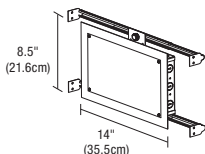


Product	Type	Finish
<b>CDMX1</b>	<b>RGBW</b>	<b>WH</b>
CDMX1 DMX 1 Zone Touch Controller	RGB & RGBW	WH White

## DYNAMIC COLOR CHANGING (DMX) POWER SUPPLIES & RECOMMENDED CONTROLLERS

ORDERING CODE	PSB-100W-24VDC-RGB	PSB-2X100W-24VDC-RGB	PSB-3X100W-24VDC-RGB	PSB-4X100W-24VDC-RGB
<b>SPECIFICATIONS</b>				
<b>MAXIMUM LOAD</b>	100W	2X100W	3X100W	4X100W
<b>INPUT VOLTAGE</b>	120-277VAC	120-277VAC	120-277VAC	120-277VAC
<b>OUTPUT VOLTAGE</b>	24VDC	24VDC	24VDC	24VDC
<b>DIMENSIONS</b>	12.14" X 6.48" X 2.18"	14" X 10" X 3"	17" X 13" X 3"	17" X 13" X 3"
<b>CLASSIFICATION</b>	CLASS 2	CLASS 2	CLASS 2	CLASS 2
<b>IN-WALL MOUNTING</b>	PSB-100W-24VDC-RGB-IW	N/A	N/A	N/A
<b>DIMMING &amp; CONTROLS</b>				
<b>TOUCH SCREEN CONTROLLER (CTP)</b>	•	•	•	•
<b>COLOR DIAL CONTROLLER (CDP)</b>	•	•	•	•
<b>DMX 1 ZONE RGBW TOUCH CONTROLLER (CDMX1-RGBW)</b>	•	•	•	•

Classification: UL2108 - \* 24VDC over 100 Watts, wires must be in conduit from Remote Power Supply to J-box.



**8.5" X 14" IN-WALL MOUNTING KIT**

Includes Power Supply, Box Cover, and Stud Hangers for installing Junction Box in wall. Select "IW" in the options section of compatible Power Supply ordering codes if an In-Wall Mounting Kit is needed.

**ORDERING CODES:** PSB-100W-24VDC-RGB-IW

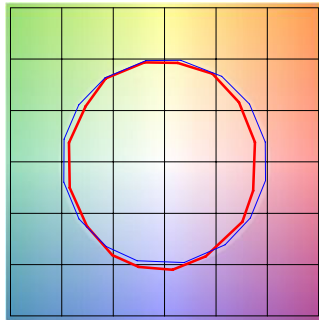
PROJECT	FIXTURE TYPE	DATE
---------	--------------	------

# LINEAR TM30 DATA

## DOWNLIGHT WITH REMOTE POWER, END FEED

**TM-30-15 DATA:** The data below is for SS2C, SS5C, SS7C, and SS10C bare LED Soft Strips. Consistent color temperatures throughout a single strip and among multiple strips is possible through a 3 phase binning process in which each order is inspected with a color meter to ensure uniformity.

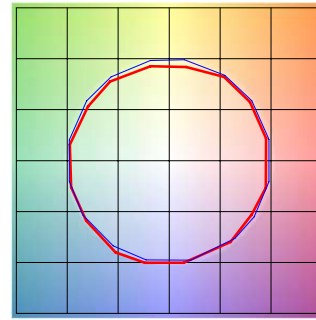
**2200K** | Rf: 83.9 | Rg: 94.9  
Color Vector Graphic



■ Test ■ Reference

		GRAPHIC SHIFTS %	
HUE BIN	Rf	CHROMA	HUE
1	77.6	-10.0%	1.8%
2	80.7	-7.5%	7.0%
3	79.5	-2.9%	8.9%
4	90.5	-3.1%	2.4%
5	93.9	-1.3%	1.9%
6	91.9	-0.9%	-0.2%
7	87.6	-6.3%	-2.7%
8	90.5	-5.4%	2.7%
9	83.8	-4.7%	6.5%
10	81.2	-2.5%	10.0%
11	83.3	3.9%	9.4%
12	86.4	5.6%	2.6%
13	86.2	4.5%	-12.4%
14	64.3	-1.0%	-21.9%
15	85.1	-4.4%	-7.5%
16	75.0	-9.9%	-12.0%

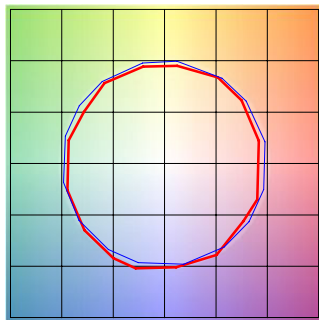
**2400K** | Rf: 91.2 | Rg: 96.8  
Color Vector Graphic



■ Test ■ Reference

		GRAPHIC SHIFTS %	
HUE BIN	Rf	CHROMA	HUE
1	92.0	-2.4%	1.5%
2	94.7	-2.1%	0.0%
3	95.4	-1.9%	-0.1%
4	88.7	-6.7%	-3.1%
5	92.8	-5.6%	1.0%
6	92.7	-3.4%	3.4%
7	89.9	-4.3%	4.1%
8	92.4	-1.4%	4.4%
9	89.0	-0.6%	5.8%
10	88.9	0.4%	6.2%
11	89.7	4.0%	5.4%
12	92.6	3.0%	-0.7%
13	90.9	1.1%	-7.0%
14	89.9	0.5%	-5.8%
15	92.1	-3.2%	0.1%
16	88.9	-1.7%	-6.3%

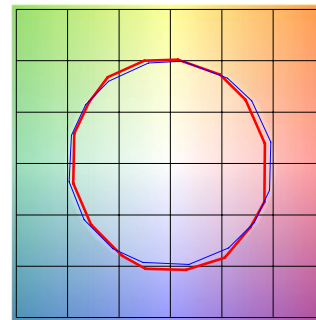
**2700K** | Rf: 87.7 | Rg: 96.1  
Color Vector Graphic



■ Test ■ Reference

		GRAPHIC SHIFTS %	
HUE BIN	Rf	CHROMA	HUE
1	86.4	-5.6%	2.3%
2	89.7	-3.3%	3.1%
3	90.5	-1.5%	3.8%
4	90.0	-4.3%	1.1%
5	92.9	-3.7%	0.2%
6	93.5	-2.5%	-0.8%
7	86.3	-7.2%	2.5%
8	90.7	-4.0%	3.2%
9	85.2	-2.4%	8.1%
10	81.7	0.9%	10.8%
11	85.4	4.5%	8.9%
12	88.7	5.7%	-1.4%
13	88.3	1.3%	-7.9%
14	85.1	2.4%	-10.4%
15	88.1	-4.8%	-2.7%
16	81.7	-4.3%	-10.9%

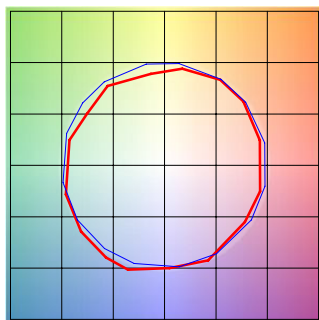
**3000K** | Rf: 88.1 | Rg: 99.7  
Color Vector Graphic



■ Test ■ Reference

		GRAPHIC SHIFTS %	
HUE BIN	Rf	CHROMA	HUE
1	87.7	-5.9%	-0.3%
2	87.9	-4.4%	4.3%
3	82.9	-1.2%	7.9%
4	89.9	0.6%	4.7%
5	92.7	3.0%	3.5%
6	92.7	3.6%	-1.7%
7	90.8	-1.3%	-4.4%
8	93.7	-2.5%	-2.2%
9	91.7	-3.7%	2.3%
10	85.5	-2.8%	7.8%
11	83.3	0.7%	11.0%
12	86.4	5.5%	3.8%
13	90.6	4.6%	-3.6%
14	85.6	5.9%	-8.4%
15	89.5	-0.6%	-5.7%
16	82.6	-2.7%	-12.0%

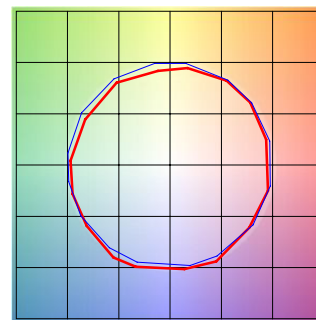
**3500K** | Rf: 86.1 | Rg: 95.5  
Color Vector Graphic



■ Test ■ Reference

		GRAPHIC SHIFTS %	
HUE BIN	Rf	CHROMA	HUE
1	86.6	-4.2%	3.4%
2	91.7	-1.4%	1.8%
3	94.9	-0.7%	0.4%
4	87.9	-4.5%	-4.1%
5	85.9	-10.3%	-2.7%
6	89.8	-5.2%	-0.4%
7	79.6	-9.5%	6.5%
8	87.6	-4.0%	5.7%
9	81.4	-0.5%	11.8%
10	78.3	3.3%	11.4%
11	85.7	6.3%	6.1%
12	86.3	7.1%	-4.6%
13	86.1	-0.7%	-9.6%
14	85.1	0.8%	-10.4%
15	83.4	-4.1%	-5.3%
16	82.5	-3.6%	-5.7%

**4000K** | Rf: 87.6 | Rg: 96.8  
Color Vector Graphic



■ Test ■ Reference

		GRAPHIC SHIFTS %	
HUE BIN	Rf	CHROMA	HUE
1	89.0	-3.1%	2.1%
2	93.2	-0.9%	1.3%
3	94.3	-1.1%	0.7%
4	89.5	-4.0%	-2.3%
5	87.6	-7.8%	-1.8%
6	92.2	-4.6%	0.1%
7	87.4	-6.6%	3.6%
8	85.7	-3.8%	7.0%
9	81.5	-1.3%	12.4%
10	80.0	0.9%	11.4%
11	83.3	5.9%	8.7%
12	89.7	4.8%	-0.3%
13	88.5	2.4%	-6.3%
14	92.7	4.0%	-3.8%
15	86.1	-1.6%	-4.5%
16	85.0	-1.4%	-5.0%

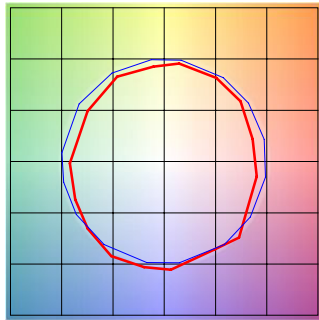
PROJECT	FIXTURE TYPE	DATE
---------	--------------	------

# LINEAR TM30 DATA

## DOWNLIGHT WITH REMOTE POWER, END FEED

**TM-30-15 DATA:** The data below is for SS2C, SS5C, SS7C, and SS10C bare LED Soft Strips. Consistent color temperatures throughout a single strip and among multiple strips is possible through a 3 phase binning process in which each order is inspected with a color meter to ensure uniformity.

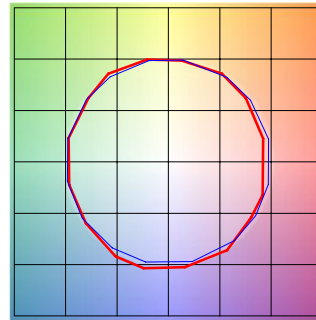
**5700K** | Rf: 80.3 | Rg: 91.5  
Color Vector Graphic



■ Test ■ Reference

HUE BIN	Rf	GRAPHIC SHIFTS %	
		CHROMA	HUE
1	73.8	-11.2%	2.6%
2	83.7	-5.5%	5.8%
3	84.2	-4.0%	5.5%
4	85.8	-3.5%	1.3%
5	85.3	-7.1%	0.6%
6	89.2	-5.8%	-2.2%
7	81.5	-10.7%	1.2%
8	75.7	-9.7%	8.5%
9	74.9	-7.8%	18.8%
10	67.8	-1.6%	18.0%
11	76.1	5.5%	12.0%
12	90.8	4.9%	-1.6%
13	83.6	5.0%	-9.5%
14	81.7	-1.2%	-10.0%
15	69.0	2.0%	-22.8%
16	83.2	-8.5%	-1.0%

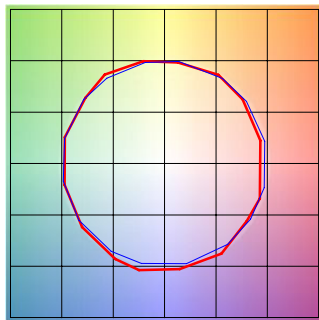
**2700D** | Rf: 89.5 | Rg: 100.8  
Color Vector Graphic



■ Test ■ Reference

HUE BIN	Rf	GRAPHIC SHIFTS %	
		CHROMA	HUE
1	88.8	-5.1%	1.4%
2	89.8	-2.7%	4.1%
3	87.2	0.3%	5.9%
4	92.3	-0.9%	1.0%
5	93.3	1.5%	1.7%
6	92.4	3.6%	-0.2%
7	92.2	-0.9%	-2.4%
8	96.7	-0.4%	-1.1%
9	92.3	-1.2%	3.7%
10	88.9	-0.0%	6.1%
11	86.4	5.1%	7.4%
12	88.2	6.3%	-0.9%
13	87.2	3.8%	-8.1%
14	84.2	3.8%	-11.0%
15	89.8	-2.6%	-4.3%
16	82.7	-3.4%	-11.1%

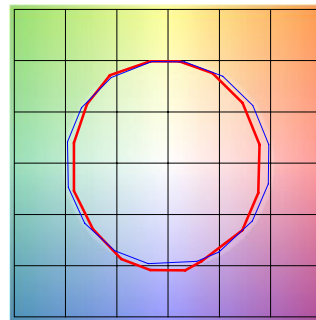
**3000D** | Rf: 89.8 | Rg: 101.4  
Color Vector Graphic



■ Test ■ Reference

HUE BIN	Rf	GRAPHIC SHIFTS %	
		CHROMA	HUE
1	90.2	-4.2%	1.5%
2	90.9	-2.0%	3.7%
3	87.9	0.8%	5.5%
4	92.1	-0.9%	0.6%
5	93.0	1.5%	1.6%
6	92.2	3.9%	-0.2%
7	92.1	-0.3%	-2.0%
8	96.7	0.0%	-1.2%
9	92.5	-0.6%	3.7%
10	88.3	1.1%	7.0%
11	87.2	4.1%	7.4%
12	87.2	6.7%	-1.0%
13	88.2	3.8%	-7.2%
14	85.3	4.3%	-9.9%
15	90.9	-2.2%	-3.6%
16	83.4	-2.2%	-11.2%

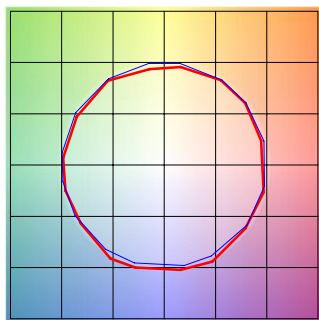
**2000K ONLY (2K4K)** | Rf: 84.3 | Rg: 96.9  
Color Vector Graphic



■ Test ■ Reference

HUE BIN	Rf	GRAPHIC SHIFTS %	
		CHROMA	HUE
1	80.3	-8.9%	1.7%
2	79.7	-7.0%	7.8%
3	78.9	-2.9%	10.0%
4	89.5	-0.5%	5.1%
5	94.4	0.7%	1.7%
6	92.1	2.4%	-0.3%
7	89.4	-2.4%	-5.9%
8	89.7	-6.4%	-0.2%
9	86.0	-4.9%	4.6%
10	81.8	-3.4%	9.3%
11	83.1	3.3%	9.7%
12	85.8	5.6%	3.3%
13	85.6	6.2%	-12.8%
14	61.7	-1.9%	-19.0%
15	79.7	-3.3%	-12.9%
16	78.1	-7.9%	-10.6%

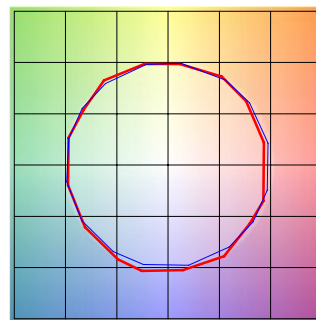
**4000K ONLY (2K4K)** | Rf: 89.6 | Rg: 99.1  
Color Vector Graphic



■ Test ■ Reference

HUE BIN	Rf	GRAPHIC SHIFTS %	
		CHROMA	HUE
1	91.3	-2.5%	1.0%
2	95.3	-0.5%	0.5%
3	94.3	-0.7%	1.1%
4	91.1	-3.4%	-1.1%
5	89.5	-5.6%	0.0%
6	94.6	-1.4%	1.3%
7	93.2	-3.0%	2.6%
8	91.3	-1.8%	4.6%
9	86.5	-0.9%	9.1%
10	83.3	-0.5%	9.5%
11	83.3	4.9%	9.0%
12	89.7	4.1%	1.7%
13	90.1	3.6%	-4.3%
14	93.4	5.2%	-2.1%
15	87.4	0.4%	-4.3%
16	86.6	0.4%	-6.1%

**2K4K (3000K)** | Rf: 90.2 | Rg: 101.4  
Color Vector Graphic



■ Test ■ Reference

HUE BIN	Rf	GRAPHIC SHIFTS %	
		CHROMA	HUE
1	90.9	-3.8%	1.3%
2	91.7	-1.9%	3.3%
3	88.7	0.7%	5.1%
4	92.4	-1.0%	0.7%
5	92.9	0.9%	1.7%
6	93.1	3.3%	-0.6%
7	91.0	-1.8%	-0.4%
8	97.0	0.2%	-1.1%
9	92.8	-0.5%	3.6%
10	88.3	1.0%	7.0%
11	87.1	3.8%	7.8%
12	87.6	6.5%	-0.3%
13	89.3	3.6%	-6.3%
14	86.1	4.5%	-9.1%
15	91.6	-1.9%	-3.1%
16	83.8	-1.5%	-11.2%

PROJECT	FIXTURE TYPE	DATE
---------	--------------	------