

DESCRIPTION

MT24 MicroTrack™ is a 24VDC surface mounted or recessed track system, engineered with a sleek and compact aluminum profile that measures just 1/2" deep by 7/16" wide and features a 1/4" slot. MicroTrack™ 24VDC is designed for a clean, contemporary aesthetic and supports a variety of fixture options. Each track includes a matching Black or Matte White Slot Cover to conceal the copper busbars and mounting screws, for a refined architectural finish. For custom quotes and layout assistance, send your drawings and ideas to our design team: design@PureEdgeLighting.com.

FEATURES

- Track Heads easily attach to the track with a magnetic connector to adjust, tilt, and rotate 360 degrees; track heads are not dimmable
- Designed for use with 96W 24VDC Non-Dimmable Remote Power Supplies up to 40' away with low voltage wire
- Straight Channels are available in 4' (44") and 8' (92") lengths, with the ability to be cut in the field
- Opaque plastic Slot Cover is included with channel to conceal the slot

FINISH & MATERIAL

- Slot Cover: Black or Matte White Powder RAL 9003 Powder Coat
- Extruded Aluminum Channel, conductors are a pair of #12 Gauge Copper Busbar

LAMP

Lumens: Up to 712 lm at 3000K
 Lumens Per Watt: Up to 119 lm/W at 3000K
 CRI: Minimum 90 color rendering index
 CCT: 2400K, 2700K, 3000K, 3500K, 4000K color temperatures with superb color consistency (within 3.0- step MacAdam ellipse). Warm Dim option available with the Teeny at 3000K, dimming to 1800K.
 LED Lamp Life: Minimum 50,000hr with 85% of lumen maintenance in 25.0C ambient temperature, in compliance with IES LM-80 testing measurements

REMOTE POWER SUPPLIES & CONTROLS (SOLD SEPARATELY)

- [24V Non Dim Power Supply](#)
- [60 Watt Non Dim Power Supply](#)
- [Smart Switch](#)

APPLICATIONS

Indoor use only. Ideal applications include residential, commercial, retail and hospitality environments.

WARRANTY / LABELS

5 year pro-rated warranty. Assembled in America
ETL (Conforms to UL 1598 and CSA 22.2 #250.0), Class 2 Under 100 Watts

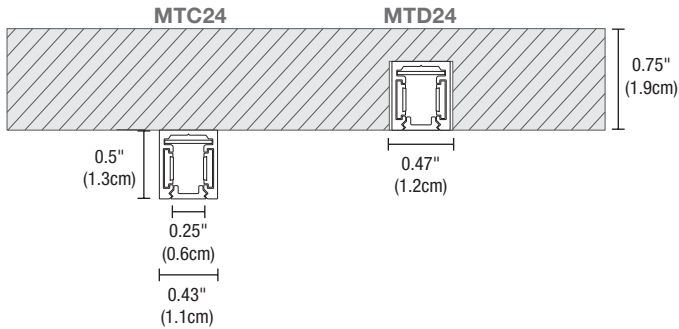
COMPONENTS

MICROTRACK DISPLAY 24VDC CHANNEL



SLOT COVER PROVIDED

STRAIGHT CONNECTOR

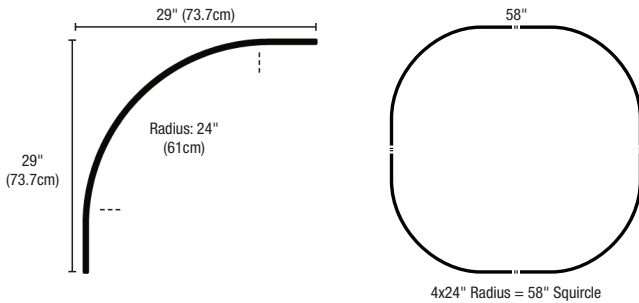


TRACK

Track can be recessed or surface mounted for a variety of configurations. Designed with extruded aluminum channel and 12 gauge busbar to help eliminate voltage drop. For use with 24VDC Remote Power Supply, sold separately. Includes mounting tape for MTD24 Track or screws for MTC24 Track, end caps, and paintable opaque Slot Covers which conceal conductive connectors and track slots to blend seamlessly with the fixture.

System	Circuit	Length in Feet	Finish
MTD24	1C	8FT	BK
MTC24 MicroTrack Ceiling 24VDC MTD24 MicroTrack Display 24VDC, Recessed into Millwork	1C Single Circuit	4FT 44" 8FT 92"	BK Black MW Matte White RAL 9003

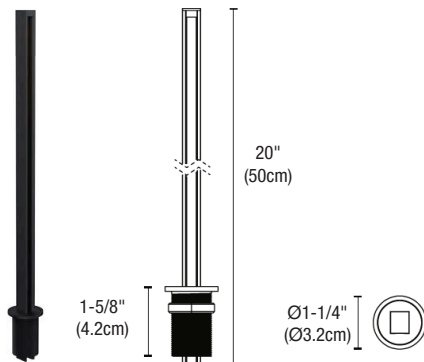
CURVE 1 CIRCUIT CHANNEL



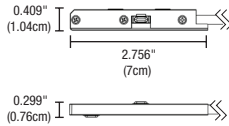
System	Circuit	Radius in Inches	Finish
MTC24	1C	24R	BK
MTC24 MicroTrack Ceiling 24VDC	1C Single Circuit	24R 24" Radius	BK Black MW Matte White RAL 9003

VERTICAL TRACK WITH POWER FEED

Track may be field cut. Includes 20" long Track, End Caps, Slot Cover, and End Power Feed connector with 6ft cord.



System	Circuit	Type	Finish
MTD24	1C	EPVT	BK
MTD24 MicroTrack Display 24VDC	1C Single Circuit	EPVT End Power feed with Vertical Track 20"	BK Black



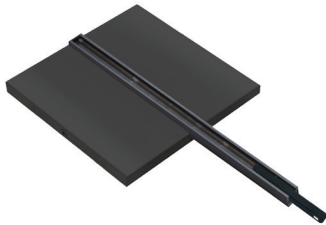
END POWER FEED

End Power Feed with 6ft cable that powers the 24VDC track.

System	Circuit	Type	Finish
MT24	1C	EP	BK
MT24 MicroTrack 24VDC	1C Single Circuit	EP End Power Feed	BK Black MW Matte White RAL 9003



1RE CANOPY



4SQ CANOPY

END OR CENTER POWER FEED

The End Power Feed delivers 24VDC from a single 96-watt remote power supply, while the Center Power Feed supports up to two 96-watt, 24VDC remote power supplies. Both options are Class 2 with Power supplies on the same line voltage circuit (same phase).

System	Circuit & Type	Canopy	Finish
MTC24	EP	1RE	BK
MTC24 MicroTrack Ceiling 24VDC	<p>EP End Power Feed Single Circuit with 12" long track</p> <p>CP1 Center Power Feed Single Circuit with 12" long track</p> <p>CP2 Two Center Power Feed, 2 Directions with 12" long tracks</p> <p>CPT1 Center T Power Feed, 1 Direction power with 12" long tracks</p> <p>CPT2 Center T Power Feed, 2 Direction power with 12" long tracks</p> <p>CPT3 Center T Power Feed, 3 Direction power with 12" long tracks</p> <p>CPX1 Center X Power Feed, 1 Direction power with 12" long tracks</p> <p>CPX2 Center X Power Feed, 2 Direction power with 12" long tracks</p> <p>CPX3 Center X Power Feed, 3 Direction power with 12" long tracks</p> <p>CPX4 Center X Power Feed, 4 Direction power with 12" long tracks</p>	<p>1RE* 1" Rectangle Junction Box Cover (Jbox Plaster Ring included)</p> <p>4SQ 4.5" Square Junction Box Cover</p> <p>*Not compatible with the T and X power feeds</p>	BK Black MW Matte White RAL 9003

FLEX CONNECTOR

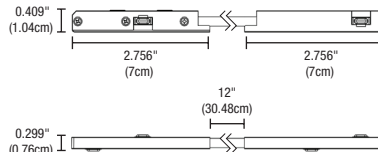
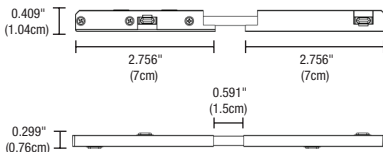
Flexible 24VDC Connector joins two sections of track at any angle.



FXC



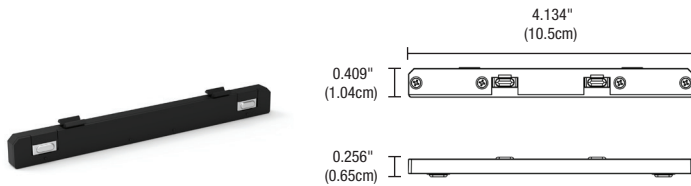
FXC12



System	Circuit	Type	Finish
MT24	1C	FXC	BK
MT24 MicroTrack 24VDC	1C Single Circuit	FXC Flexible Connector FXC12 12" Leads for Movable Shelves	BK Black MW Matte White RAL 9003

MT24 MicroTrack™ CEILING AND DISPLAY

24VDC CLASS 2, DISPLAY/SHELF TRACK SYSTEM



STRAIGHT CONNECTOR

Miniature Straight 24VDC Connector joins two track sections end to end and is concealed by the Slot Covers.

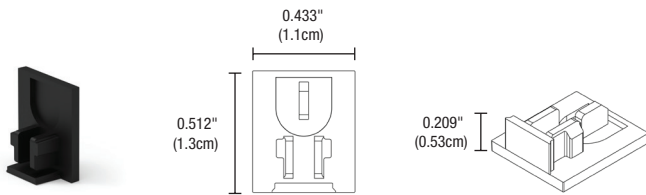
System	Circuit	Type	Finish
MT24	1C	SC	BK
MT24 MicroTrack 24VDC	1C Single Circuit	SC Straight Connector Conductive SNC Straight Connector Non Conductive	BK Black MW Matte White RAL 9003



L-SHAPED CONNECTOR

L-Shaped 24VDC Connector joins two sections of track at 90°.

System	Circuit	Type	Finish
MT24	1C	LC	BK
MT24 MicroTrack 24VDC	1C Single Circuit	LC L-Connector Conductive LNC L-Connector Non Conductive	BK Black MW Matte White RAL 9003



END CAPS

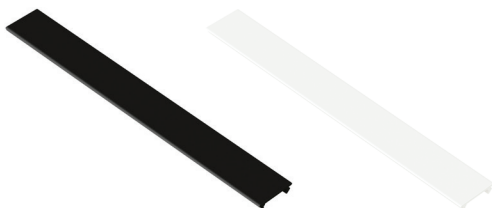
System	Circuit	Type	Finish
MT24	1C	CA	BK
MT24 MicroTrack 24VDC	1C Single Circuit	CA End Cap	BK Black MW Matte White RAL 9003



VERTICAL CONNECTOR

L-Shaped 24VDC Connector joins ceiling and wall sections of track at 90°.

System	Circuit	Type	Finish
MT24	1C	VC	BK
MT24 MicroTrack 24VDC	1C Single Circuit	VC Vertical Connector Conductive, includes MT24-1C-FXC VNC Vertical Connector Non-Conductive	BK Black MW Matte White RAL 9003



OPAQUE SLOT COVER (INCLUDED WITH TRACK)

Paintable opaque Slot Covers.

System	Type	Length in Feet	Cover Color
MT24	SCO	8FT	BK
MT24 MicroTrack 24VDC	SCO Opaque Cover for Track Slot	4FT 4 Feet 8FT 8 Feet	BK Black MW Matte White RAL 9003

MicroTrack Display MT24



Mini Light Bar

4.3W/9W/13W
/134/322/485 Lumens

Fully integrated linear micro-profile that features an opal diffuser screen; perfect for creating soft, diffused lighting effects.

Itsy

Ø1/2" /1W /90 Lumens

Compact and energy-efficient, the Itsy spotlight is designed for display cases and jewelry showcases. Its high-performance LED technology ensures bright, uniform light output to enhance visibility with a soft, even glow.

Bitsy

Ø1" /3W /210 Lumens

Delivering bright, efficient illumination, the Bitsy spotlight is perfect for retail shelving and exhibition displays. Its low profile design allows the intended details to shine.

Teeny

Ø1-5/16" /6W /712 Lumens

The Teeny spotlight is ideal for that extra punch for retail shelving and exhibition displays. Its low-profile design keeps the focus where it belongs—on the products and details you want to highlight.



MT24 MicroTrack™ CEILING AND DISPLAY

24VDC CLASS 2, DISPLAY/SHELF TRACK SYSTEM

Track Heads are not dimmable and are not recommended for Ceiling applications.

ITSY*
90 LM @ 3000K, 90+ CRI, 1 WATT

Quarter for Scale

7/8" (2.2cm)
Ø1/2" (Ø1.3cm)
90°

***Non Dimmable**

BITSY*
210 LM @ 3000K, 90+ CRI, 3 WATT

Quarter for Scale

1-3/8" (3.5cm)
Ø15/16" (Ø2.4cm)
90°

***Non Dimmable**

System: **MT24** (MicroTrack 24VDC) - Fixture: **ITS** (Itsy Track Head) - Wattage: **1W** (1 Watt) - Beam Spread: **NF** (Narrow Flood 36°) - Color Temperature: **30K** (2400K Amber White, 2700K Very Warm White, 3000K Warm White, 3500K Neutral White, 4000K Cool White) - Finish: **BK** (Black Powder Coat) / **MW** (Matte White Powder Coat RAL 9003)

	ITSY (40° LENS)				
COLOR TEMPERATURE	24K	27K	30K	35K	40K
TOTAL LUMENS	86	86	90	103	109
WATTS	1	1	1	1	1
LUMENS PER WATT (lm/w)	86	86	90	103	109
CRI	90+	90+	90+	90+	90+

System: **MT24** (MicroTrack 24VDC) - Fixture: **BIT** (Bitsy Track Head) - Wattage: **3W** (3 Watts) - Beam Spread: **NF** (Narrow Spot 15°) - Color Temperature: **30K** (2400K Amber White, 2700K Very Warm White, 3000K Warm White, 3500K Neutral White, 4000K Cool White) - Finish: **BK** (Black Powder Coat) / **MW** (Matte White Powder Coat RAL 9003)

	BITSY (15° LENS)				
COLOR TEMPERATURE	24K	27K	30K	35K	40K
TOTAL LUMENS	200	202	210	241	254
WATTS	3	3	3	3	3
LUMENS PER WATT (lm/w)	67	67	70	80	85
CRI	90+	90+	90+	90+	90+

ITSY BEAM SPREADS

24° SPOT (SP)

H(m)	D(m)	E(lx)
25°		
1.0	0.46	163
2.0	0.92	40
3.0	1.38	18
4.0	1.84	10
5.0	2.31	6

228 cd

36° NARROW FLOOD (NF)

H(m)	D(m)	E(lx)
35°		
1.0	0.60	153
2.0	1.20	38
3.0	1.80	17
4.0	2.41	9
5.0	3.01	6

224 cd

50° FLOOD (FL)

H(m)	D(m)	E(lx)
50°		
1.0	0.92	82
2.0	1.84	20
3.0	2.76	9
4.0	3.68	5
5.0	4.60	3

129 cd

BITSY BEAM SPREADS

15° NARROW SPOT (NS)

H(m)	D(m)	E(lx)
16°		
1.0	0.29	1024
2.0	0.59	256
3.0	0.88	113
4.0	1.17	63
5.0	1.46	40

1456 cd

24° SPOT (SP)

H(m)	D(m)	E(lx)
25°		
1.0	0.43	569
2.0	0.87	142
3.0	1.30	63
4.0	1.74	35
5.0	2.17	22

855 cd

50° WIDE FLOOD (FL)

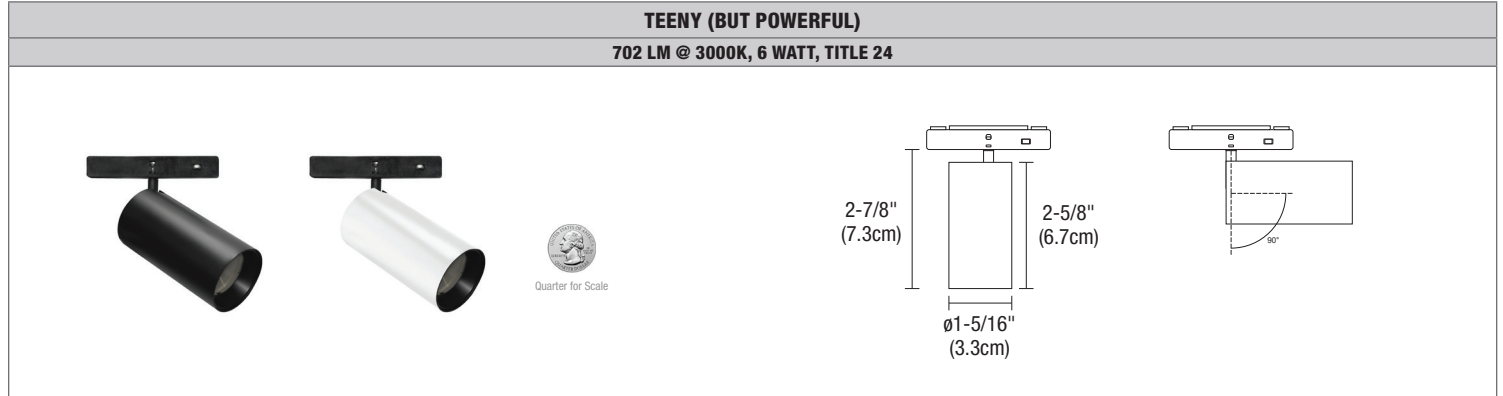
H(m)	D(m)	E(lx)
60°		
1.0	1.05	123
2.0	2.10	30
3.0	3.15	13
4.0	4.20	7
5.0	5.24	4

205 cd

MT24 MicroTrack™ CEILING AND DISPLAY

24VDC CLASS 2, DISPLAY/SHELF TRACK SYSTEM

PureEdge MT48 Track Heads are compatible with all MicroTrack™ Systems. May also be ordered with a [MonoPoint Canopy](#).



System	Fixture	Wattage	Beam Spread	Color Temperature	Finish
MT24 MicroTrack 24VDC	TEE Teeny Track Head TEZ Teeny Zoom Track Head	6W 6 Watts	NF Narrow Flood 36° NS Narrow Spot 15° SP Spot 24° FL Flood 50°	30K 24K 2400K Amber White 27K 2700K Very Warm White 30K 3000K Warm White 30D* 3000K dims to 1800K 35K 3500K Neutral White 40K 4000K Cool White	BK Black Powder Coat MW Matte White Powder Coat RAL 9003

*Uses 5 Watts and is not compatible with NS (15°) lens

	TEENY (NARROW SPOT 15° LENS)					
COLOR TEMPERATURE	24K	27K	30K	30D*	35K	40K
TOTAL LUMENS	676	684	712	373	817	862
WATTS	6	6	6	5	6	6
LUMENS PER WATT (lm/w)	113	114	119	74.6	136	144
CRI	95+	95+	95+	95+	95+	95+

*30D - Warm Dim (5 Watts with Spot 23° lens)

	TEENY ZOOM (40° NARROW FLOOD LENS)					
COLOR TEMPERATURE	24K	27K	30K	30D*	35K	40K
TOTAL LUMENS	301	304	317	166	364	384
WATTS	6	6	6	5	6	6
LUMENS PER WATT (lm/w)	50	51	53	33	61	64
CRI	95+	95+	95+	95+	95+	95+

*30D - Warm Dim (5 Watts with Spot 23° lens)

Accessories

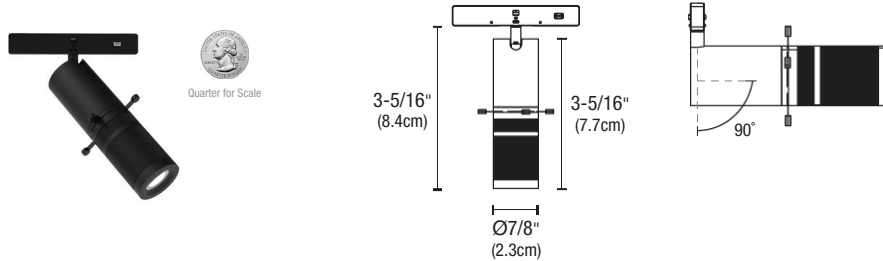
	TEENY OPTICAL LENS	GLASS LENS	LOUVER	FOCUS LENS	LINEAR SPREAD FILM
ORDERING CODE	(STATIC WHITE) OPL-SLM-NS-SW OPL-SLM-SP-SW OPL-SLM-NF-SW OPL-SLM-FL-SW	GL9-AS (ASYMMETRIC) GL9-SF (SOFT DIFFUSER)	L09-H	LF09-SF (SOFT FOCUS), LF09-MF (MEDIUM FOCUS), LF09-WF (WIDE FOCUS)	LF09-LS
LENS SIZE	1-5/16" (3.3cm) Diameter				
DESCRIPTIONS	NS (15°), SP (24°), NF (36°), FL (50°)	Glass Lens	Hexcell louver eliminates glare.	Soft focus lens is included with every track head. Diffuses the beam, providing uniform illumination.	1-1/8" Dia. Linear Spread Film. Linear spread film: directs the light into an elongated beam. Typical applications using 10°, 15°, 24°.

MT24 MicroTrack™ CEILING AND DISPLAY

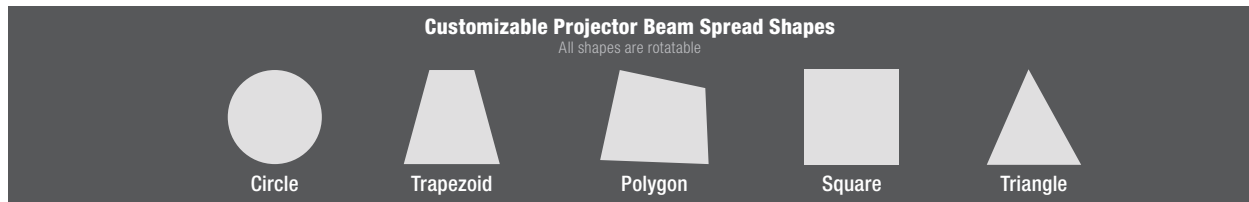
24VDC CLASS 2, DISPLAY/SHELF TRACK SYSTEM

MICROTRACK 24VDC FRAMING PROJECTOR

164 LM @ 3000K, 90+ CRI, 2.2 WATTS



System	Fixture	Wattage	Beam Spread	Color Temperature	Finish
MT24	FRMZ	2W	SPNF	30K	BK
MT24 MicroTrack 24VDC	FRMZ Display Framing Projector	2W 2.2 Watts	SPNF Spot 18° to Narrow Flood 35°	24K 2400K Amber White 27K 2700K Very Warm White 30K 3000K Warm White 35K 3500K Neutral White 40K 4000K Cool White	BK Black Powder Coat MW Matte White Powder Coat RAL 9003



MINI LIGHT BAR

134 LM @ 3000K, 5 WATT, 90+ CRI, 12" LENGTH



System	Fixture	Wattage	Color Temperature	Finish
MT24	MLB	5W12	30K	BK
MT48 MicroTrack 24VDC	MLB Mini Light Bar	5W12 5 Watts, 12" Length 9W24 9 Watts, 24" Length 13W36 13 Watts, 36" Length	27K 2700K Very Warm White 30K 3000K Warm White 35K 3500K Neutral White 40K 4000K Cool White	BK Black Powder Coat

WATTAGE	MINI LIGHT BAR 24V											
	5W				9W				14W			
COLOR TEMPERATURE	27K	30K	35K	40K	27K	30K	35K	40K	27K	30K	35K	40K
TOTAL LUMENS	129	134	154	162	309	322	369	390	466	485	556	587
LUMENS PER WATT (lm/w)	30	31	36	38	36	37	42	45	36	37	43	45
CRI	90+	90+	90+	90+	90+	90+	90+	90+	90+	90+	90+	90+

MT24 MicroTrack™ CEILING AND DISPLAY

24VDC CLASS 2, DISPLAY/SHELF TRACK SYSTEM



This professional mini spotlight is designed for high-end display environments such as museums, galleries, and luxury retail spaces. Compact and elegant, it provides precise, uniform illumination that beautifully highlights even the smallest details.

Its mini track design saves space and allows tool-free adjustment, offering a 0°–90° tilt and 355° rotation for flexible positioning. Optional color filters and custom gobo projection enhance creative presentation possibilities.

With multi-layer optical lenses that maximize light transmission and deliver a wide zoom range, this spotlight ensures every exhibit is showcased in perfect light—refined, focused, and professional.

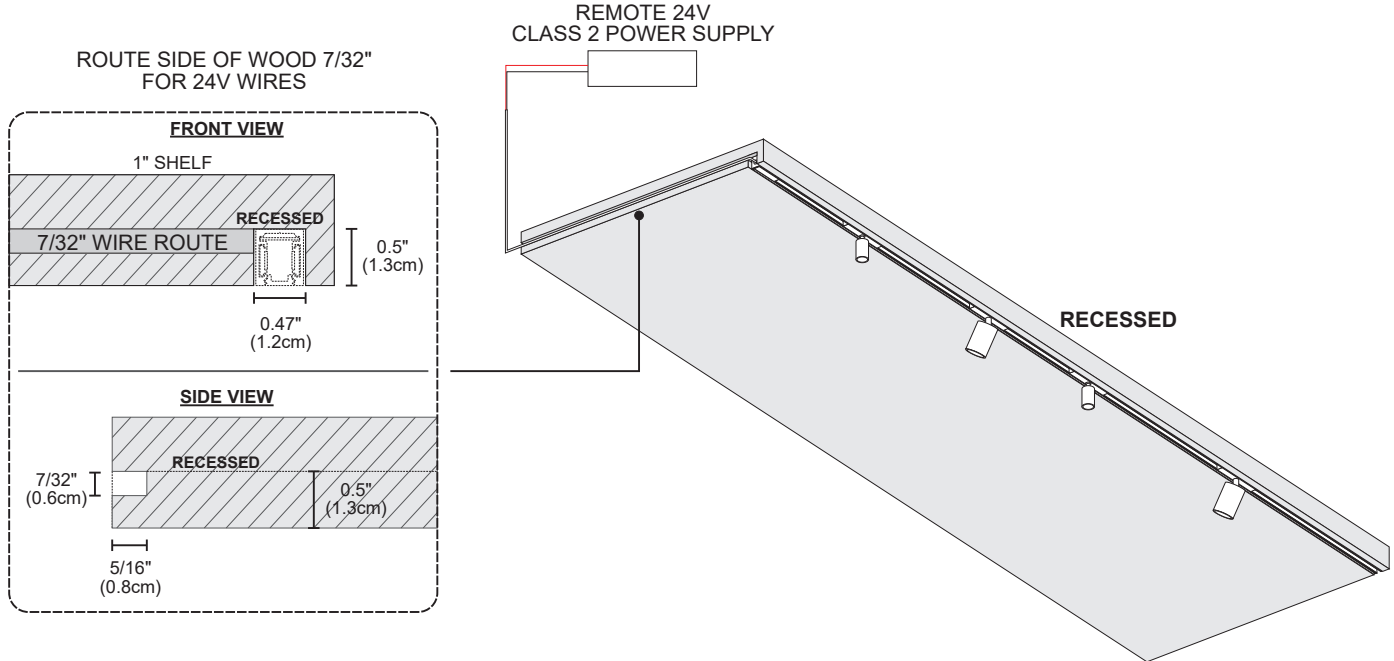


MT24 MicroTrack™ CEILING AND DISPLAY
 24VDC CLASS 2, DISPLAY/SHELF TRACK SYSTEM

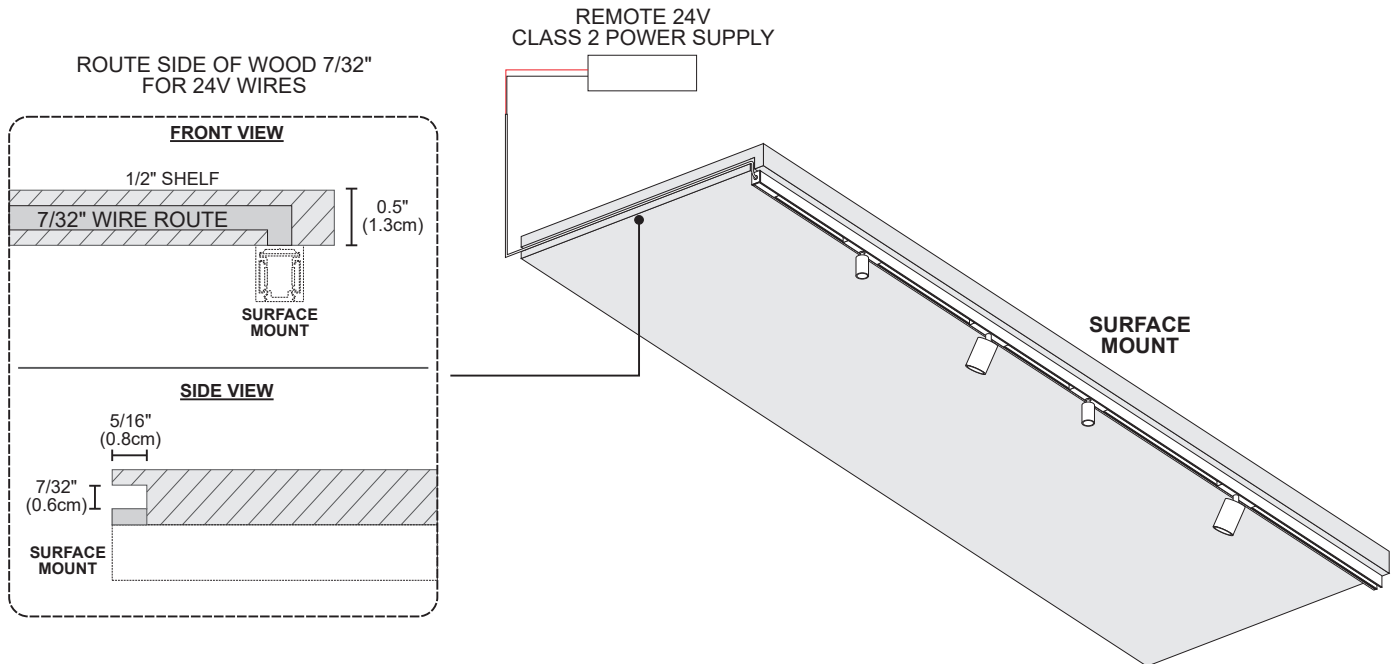
REV 06.15.26

DRAWINGS

MICROTRACK DISPLAY - RECESSED



MICROTRACK DISPLAY - SURFACE



DRAWINGS

MICROTRACK DISPLAY - WITH ADJUSTABLE SHELVING

