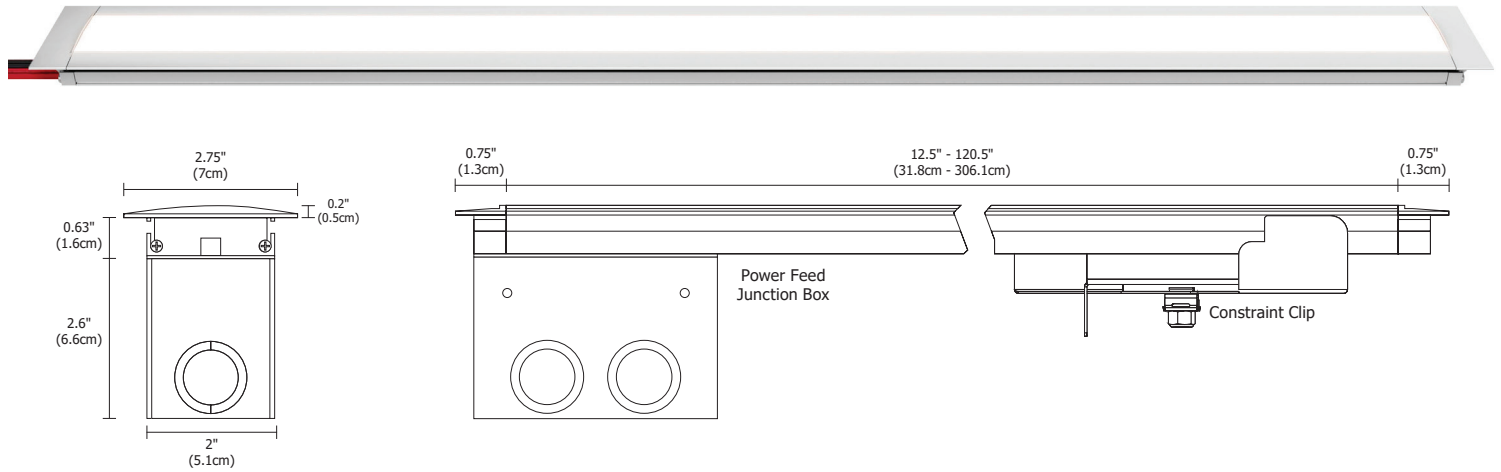


LIGHT CHANNEL TRIM 1.6

REV.09.21.18

ASSEMBLED IN AMERICA



DESCRIPTION

Light Channel Trim 1.6 provides a clean line of glare-free general illumination. Fixture recesses within the thickness of 5/8" drywall or wood (wall, ceiling or shelving). It is trimmed with a thin border that is available in four standard finishes. The 24VDC linear LED system houses two rows of High CRI, commercial-grade White 85+ or 95+CRI LED Soft Strip. Its 1.6" wide Diffuser Lens projects a clean line of light without LED dots. System mounts to studs without joist modification. System is ordered from 12" (in increments of 3", 5", 8", or 10" after every foot) up to 120", contains 2 rows of Soft Strips. Coordinate installation with electrician and drywall contractors. Fixture includes a 5 year warranty.

FINISHES

Chrome, Satin Nickel, Bronze, and Black

APPLICATIONS

Indoor Only — Vanity Lighting, General Illumination and Architectural Lighting for Offices, Hospitality, Retail, Residences, Libraries, Closets, and Hallways

LAMP

The average LED Life is 50,000 hours.

VERSION	WATTS PER FOOT	LUMENS		85+CRI 22K, 35K, 40K, 57K	95+CRI 27K, 30K
		PER WATT	PER FOOT		
5WDC	5 (2X2.5)	52	260	•	•
10DC	10 (2X5)	51	471	•	•

Lumen values are based on the 3000K LED test.

REMOTE POWER SUPPLIES*, DIMMERS & CONTROLS (SOLD SEPARATELY)

- Electronic Low Voltage Dimming (ELV)
- 0-10 Volt Dimming (0-10V)
- Lutron Hi-lume®

*In-Wall Mounting Kits available for select power supplies

System	Wattage	Nominal Size	Color Temperature	Finish
LCT1.6 LCT1.6 Light Channel Trim 1.6	5WDC 2x2.5 Watt 10DC 2x4.6 Watt	60IN 12-120 Order in 12" increments up to 120" (84" Max Chrome). May be ordered in 3", 5", 8", or 10" increments	27K 22K 2200K Amber White 27K 2700K Very Warm White 27D 2700K Warm Dim 30K 3000K Warm White 30D 3000K Warm Dim 35K 3500K Neutral White 40K 4000K Cool White 57K 5700K Daylight White	CH Chrome SN Satin Nickel BZ Bronze BK Black

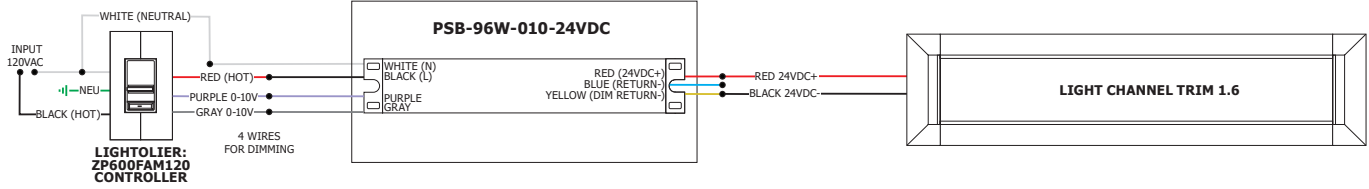
PROJECT	FIXTURE TYPE	DATE
---------	--------------	------

LIGHT CHANNEL TRIM 1.6

REV.09.21.18

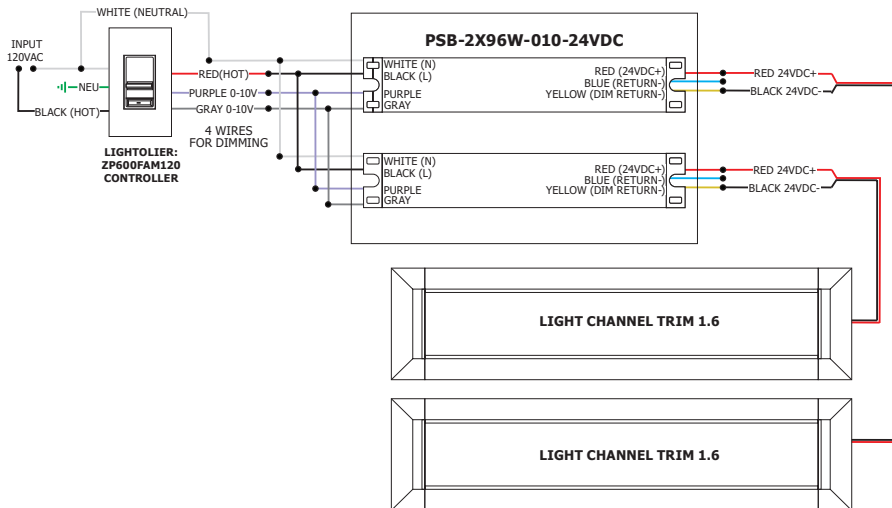
ASSEMBLED IN AMERICA

- APPLICATION** 0-10V dimming for Light Channel Trim 1.6
- POWER SUPPLY** Class 2, 120-277VAC input | PSB-96W-010-24VDC: 24VDC 96W output | PSB-2x96W-010-24VDC: 24VDC 192W output
- DIMMING** Dimmable with 0-10V dimmer using Power Supply above: Philips Sunrise SR1200ZTUNV



96W, 24VDC LOW VOLTAGE WIRE SIZE CHART: 3% VOLTAGE DROP

WIRE LENGTH (FT)	UP TO 33FT	34FT-52FT	53FT-86FT	87FT-130FT
WIRE SIZE	14 AWG	12 AWG	10 AWG	8 AWG
VOLTAGE AT END OF WIRE	23.28VDC	23.29VDC	23.28VDC	23.28VDC



5 WATTS - ACTUAL WATTAGE PER FOOT

LENGTH IN FEET	WATTS
1	5
2	10
3	16
4	20
5	26
6	30
7	34
8	40
9	44
10	48

10 WATTS - ACTUAL WATTAGE PER FOOT

LENGTH IN FEET	WATTS
1	10
2	20
3	32
4	40
5	52
6	60
7	68
8	80
9	88
10	96

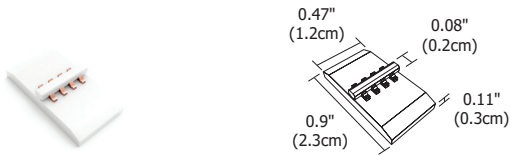
PROJECT		FIXTURE TYPE		DATE	
---------	--	--------------	--	------	--

LIGHT CHANNEL TRIM 1.6

REV.09.21.18

ASSEMBLED IN AMERICA

ACCESSORIES Order based on lighting design or as replacement parts

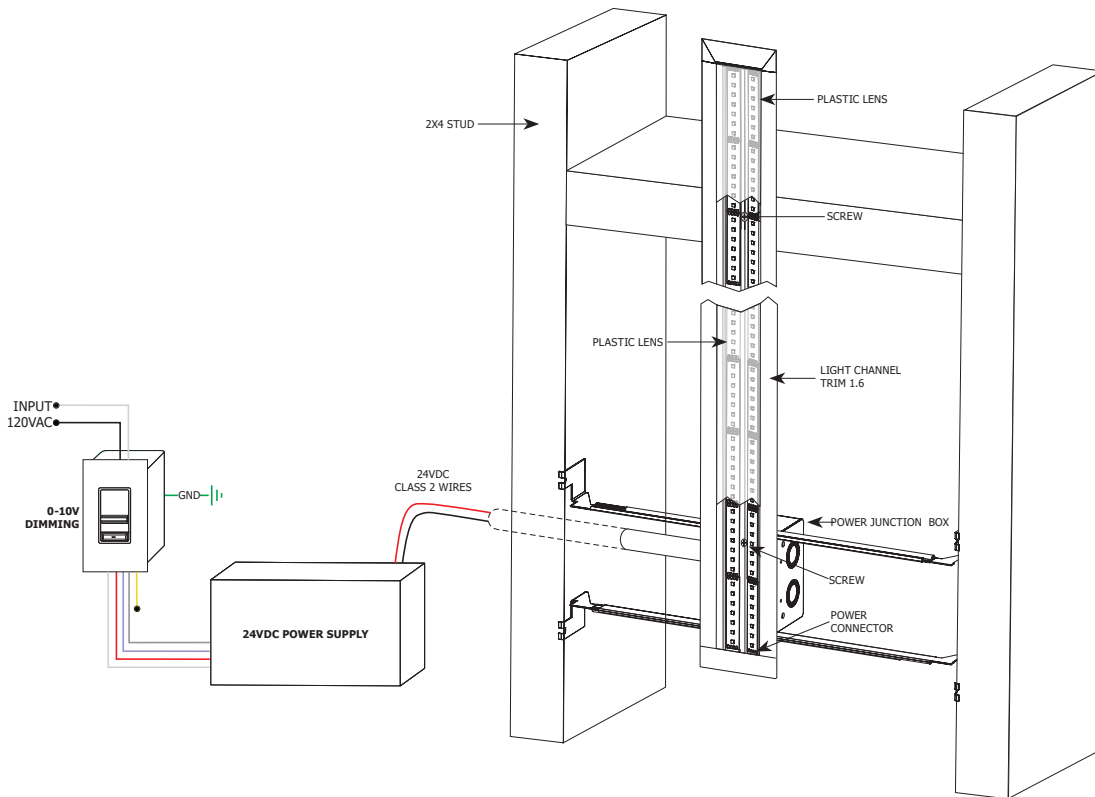


SOFT STRIP SOLDERLESS SNAP & LIGHT STRAIGHT JOINER

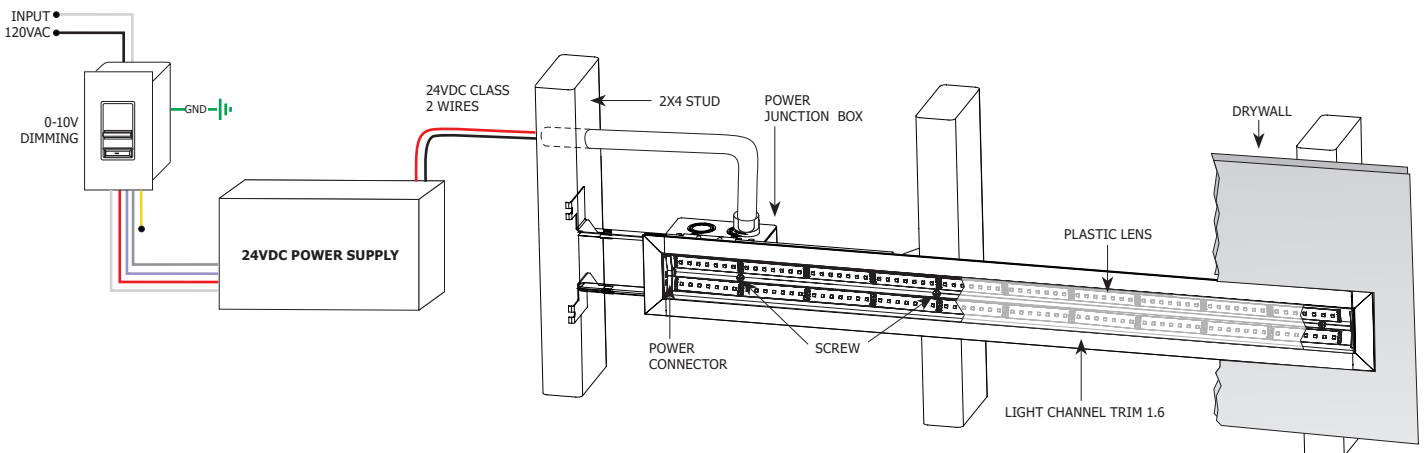
Joins two sections of LED Soft Strip in the Channel. Used when replacing a section of LED Soft Strip.

System	Product
CH	SLC
CH Channel	SLC Snap & Light Straight Joiner

LIGHT CHANNEL TRIM 1.6 VERTICAL INSTALLATION OPTION



LIGHT CHANNEL TRIM 1.6 HORIZONTAL INSTALLATION OPTION



PROJECT	FIXTURE TYPE	DATE
---------	--------------	------



LIGHT CHANNEL TRIM 1.6

REV.09.21.18

ASSEMBLED IN AMERICA

LENGTH CHART Actual lengths for Light Channel Trim 1.6

22K, 27K, 30K, 35K, 40K, 57K, 2K4K & RGB							
Ordering Code (Nominal Size)	Illuminated Length (Inches)	Overall Bottom Recessed Length (Inches)	Overall Top Exposed Length Including End Caps (Inches)	Ordering Code (Nominal Size)	Illuminated Length (Inches)	Overall Bottom Recessed Length (Inches)	Overall Top Exposed Length Including End Caps (Inches)
12IN	12.5	13.5	14.25	68IN	67.7	68.7	69.45
15IN	14.9	15.9	16.65	70IN	70.1	71.1	71.85
17IN	17.3	18.3	19.05	72IN	72.5	73.5	74.25
20IN	19.7	20.7	21.45	75IN	74.9	75.9	76.65
22IN	22.1	23.1	23.85	77IN	77.3	78.3	79.05
24IN	24.5	25.5	26.25	80IN	79.7	80.7	81.45
27IN	26.9	27.9	28.65	82IN	82.1	83.1	83.85
29IN	29.3	30.3	31.05	84IN	84.5	85.5	86.25
32IN	31.7	32.7	33.45	87IN	86.9	87.9	88.65
34IN	34.1	35.1	35.85	89IN	89.3	90.3	91.05
36IN	36.5	37.5	38.25	92IN	91.7	92.7	93.45
39IN	38.9	39.9	40.65	94IN	94.1	95.1	95.85
41IN	41.3	42.3	43.05	96IN	96.5	97.5	98.25
44IN	43.7	44.7	45.45	99IN	98.9	99.9	100.65
46IN	46.1	47.1	47.85	101IN	101.3	102.3	103.05
48IN	48.5	49.5	50.25	104IN	103.7	104.7	105.45
51IN	50.9	51.9	52.65	106IN	106.1	107.1	107.85
53IN	53.3	54.3	55.05	108IN	108.5	109.5	110.25
56IN	55.7	56.7	57.45	111IN	110.9	111.9	112.65
58IN	58.1	59.1	59.85	113IN	113.3	114.3	115.05
60IN	60.5	61.5	62.25	116IN	115.7	116.7	117.45
63IN	62.9	63.9	64.65	118IN	118.1	119.1	119.85
65IN	65.3	66.3	67.05	120IN	120.5	121.5	122.25

PROJECT		FIXTURE TYPE		DATE	
---------	--	--------------	--	------	--

LIGHT CHANNEL TRIM 1.6

REV.09.21.18

ASSEMBLED IN AMERICA

REQUIRED COMPONENTS 24VDC ELV Compatible Power Supplies

ELECTRONIC LOW-VOLTAGE (ELV) POWER SUPPLIES & RECOMMENDED DIMMERS [†]					
ORDERING CODE	PS-40W-ELV-24VDC	PS-60L-ELV-24VDC	PSB-60W-ELV-24VDC	PSB-2X60W-ELV-24VDC	PSB-100W-ELV-24VDC
SPECIFICATIONS					
MAXIMUM LOAD	40W	60W NON-IC, 50W-IC (FITS IN J-BOX)	60W	2X60W	96W
INPUT VOLTAGE	120VAC	120VAC	120VAC	120VAC	120VAC
OUTPUT VOLTAGE	24VDC	24VDC	24VDC	24VDC	24VDC
DIMENSIONS	1.4" X 3" X 1"	2.25" X 1.25" X 0.83"	8.125" X 2" X 1.75"	12.15" X 6.48" X 2.18"	9.25" X 3.5" X 2"
CLASSIFICATION	CLASS 2	CLASS 2	CLASS 2	CLASS 2	CLASS 2
IN-WALL MOUNTING	N/A	N/A	PSB-60W-ELV-24VDC-IW	PSB-2X60W-ELV-24VDC-IW	PSB-100W-ELV-24VDC-IW
DIMMING & CONTROLS					
LUTRON DIVA: DVELV-300P	•	•	•	•	•
LUTRON SKYLARK: SELV-300P	•	•	•	•	•
LUTRON RADIO RA2: RRD-6NA	N/A	N/A	•	•	•
LUTRON MAESTRO: MAELV-600	•	•	•	•	•
LEGRAND ADORNE: ADTP-703TUM4	N/A	N/A	•	•	•

0-10 VOLT (010) POWER SUPPLIES & RECOMMENDED DIMMERS [†]			
ORDERING CODE	PSB-2X100W-ELV-24VDC	PSB-3X100W-ELV-24VDC	PSB-4X100W-ELV-24VDC
SPECIFICATIONS			
MAXIMUM LOAD	2X96W	3X96W	4X96W
INPUT VOLTAGE	120VAC	120VAC	120VAC
OUTPUT VOLTAGE	24VDC	24VDC	24VDC
DIMENSIONS	12.15" X 6.48" X 2.18"	14" X 10" X 3"	17" X 13" X 3"
CLASSIFICATION	CLASS 2	CLASS 2	CLASS 2
IN-WALL MOUNTING	PSB-2X100W-ELV-24VDC-IW	N/A	N/A
DIMMING & CONTROLS			
LUTRON DIVA: DVELV-300P	•	•	•
LUTRON SKYLARK: SELV-300P	•	•	•
LUTRON RADIO RA2: RRD-6NA	•	•	•
LUTRON MAESTRO: MAELV-600	•	•	•
LEGRAND ADORNE: ADTP-703TUM4	•	•	•

[†] 2200K-5700K Color Temperatures are compatible with 0-10V, ELV, and Lutron Hi-Lume® Power Supplies. Warm Dim (27D, 30D) Color Temperatures are only compatible with ELV Power Supplies. In-Wall Mounting Kits available for select power supplies.





PROJECT		FIXTURE TYPE		DATE	
---------	--	--------------	--	------	--



LIGHT CHANNEL TRIM 1.6

REV.09.21.18

ASSEMBLED IN AMERICA

REQUIRED COMPONENTS 24VDC 0-10V Compatible Power Supplies

0-10 VOLT (010) POWER SUPPLIES & RECOMMENDED DIMMERS†				
ORDERING CODE	PSB-25W-010-24VDC	PSB-60W-010-24VDC	PSB-96W-010-24VDC	PSB-2X96W-010-24VDC
				
SPECIFICATIONS				
MAXIMUM LOAD	25W	60W	96W	2X96W
INPUT VOLTAGE	120VAC	120-277VAC	120-277VAC	120-277VAC
OUTPUT VOLTAGE	24VDC	24VDC	24VDC	24VDC
DIMENSIONS	12.4" X 3.12" X 2.18"	12.4" X 3.12" X 2.18"	12.4" X 3.12" X 2.18"	12.15" X 6.48" X 2.18"
CLASSIFICATION	CLASS 2	CLASS 2	CLASS 2	CLASS 2
IN-WALL MOUNTING	PSB-25W-010-24VDC-IW	PSB-60W-010-24VDC-IW	PSB-96W-010-24VDC-IW	PSB-2X96W-010-24VDC-IW
DIMMING & CONTROLS				
PHILIPS SUNRISE: SR1200ZTUNV	•	•	•	•
LUTRON DIVA:: DVTV-WH	•	•	•	•
LUTRON NOVA T: NTSTV-DV-XX	•	•	•	•
LUTRON GRAFIX EYE QS: QSGRJ-XP	•	•	•	•
LUTRON RADIO RA2: RRD-10ND	•	•	•	•
LEVITON: LEV40050	•	•	•	•
LEVITON IP710-LFZ	•	•	•	•
LEGRAND: ADPD4FBL3P2W4	•	•	•	•

0-10 VOLT (010) POWER SUPPLIES & RECOMMENDED DIMMERS†		
ORDERING CODE	PSB-3X96W-010-24VDC	PSB-4X96W-010-24VDC
		
SPECIFICATIONS		
MAXIMUM LOAD	3X96W	4X96W
INPUT VOLTAGE	120-277VAC	120-277VAC
OUTPUT VOLTAGE	24VDC	24VDC
DIMENSIONS	14" X 10" X 3"	17" X 13" X 3"
CLASSIFICATION	CLASS 2	CLASS 2
IN-WALL MOUNTING	N/A	N/A
DIMMING & CONTROLS		
PHILIPS SUNRISE: SR1200ZTUNV	•	•
LUTRON DIVA:: DVTV-WH	•	•
LUTRON NOVA T: NTSTV-DV-XX	•	•
LUTRON GRAFIX EYE QS: QSGRJ-XP	•	•
LUTRON RADIO RA2: RRD-10ND	•	•
LEVITON: LEV40050	•	•
LEVITON IP710-LFZ	•	•
LEGRAND: ADPD4FBL3P2W4	•	•

† 2200K-5700K Color Temperatures are compatible with 0-10V, ELV, and Lutron Hi-Lume® Power Supplies. Warm Dim (27D, 30D) Color Temperatures are only compatible with ELV Power Supplies.

PROJECT		FIXTURE TYPE		DATE	
---------	--	--------------	--	------	--




LIGHT CHANNEL TRIM 1.6

REV.09.21.18

ASSEMBLED IN AMERICA

REQUIRED COMPONENTS 24VDC Lutron Compatible Power Supply

LUTRON HI-LUME® PREMIER .1% ECOSYSTEM® 3-WIRE POWER SUPPLY & RECOMMENDED CONTROLLERS†

ORDERING CODE	<p style="text-align: center;">L3D0-96W24V-U</p> 
SPECIFICATIONS	
MAXIMUM LOAD	96W
INPUT VOLTAGE	120-277VAC
OUTPUT VOLTAGE	24VDC
DIMENSIONS	10.5" X 5.5" X 2"
CLASSIFICATION	CLASS 2
DIMMING & CONTROLS	
RADIO RA2	•
HOMEWORKS QS	•
PHPM-3F-120	•
PHPM-3F-DV	•
BCI-0-10	•

† 22k00K-5700K Color Temperatures are compatible with 0-10V, ELV, and Lutron Hi-lume® Power Supplies. Warm Dim (27D, 30D) Color Temperatures are only compatible with ELV Power Supplies.

PROJECT		FIXTURE TYPE		DATE	
---------	--	--------------	--	------	--

LIGHT CHANNEL TRIM 1.6

REV.09.21.18

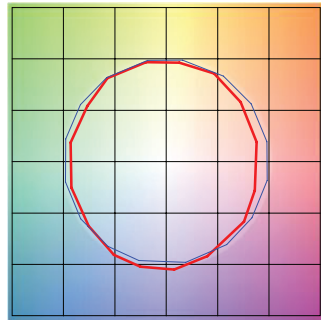
ASSEMBLED IN AMERICA

TM-30-15 DATA

The data below is for SS5C and SS10C bare LED Soft Strips. Consistent color temperatures throughout a single strip and among multiple strips is possible through a 3 phase binning process in which each order is inspected with a color meter to ensure uniformity.

2200K | Rf: 83.9 | Rg: 94.9

Color Vector Graphic

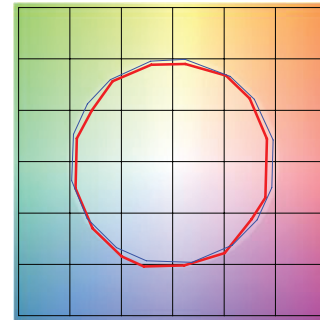


■ Test ■ Reference

HUE BIN	Rf	GRAPHIC SHIFTS %	
		CHROMA	HUE
1	77.6	-10.0%	1.8%
2	80.7	-7.5%	7.0%
3	79.5	-2.9%	8.9%
4	90.5	-3.1%	2.4%
5	93.9	-1.3%	1.9%
6	91.9	-0.9%	-0.2%
7	87.6	-6.3%	-2.7%
8	90.5	-5.4%	2.7%
9	83.8	-4.7%	6.5%
10	81.2	-2.5%	10.0%
11	83.3	3.9%	9.4%
12	86.4	5.6%	2.6%
13	86.2	4.5%	-12.4%
14	64.3	-1.0%	-21.9%
15	85.1	-4.4%	-7.5%
16	75.0	-9.9%	-12.0%

2700K | Rf: 87.7 | Rg: 96.1

Color Vector Graphic

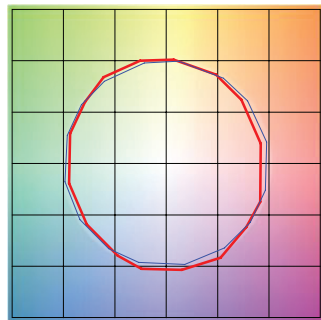


■ Test ■ Reference

HUE BIN	Rf	GRAPHIC SHIFTS %	
		CHROMA	HUE
1	86.4	-5.6%	2.3%
2	89.7	-3.3%	3.1%
3	90.5	-1.5%	3.8%
4	90.0	-4.3%	1.1%
5	92.9	-3.7%	0.2%
6	93.5	-2.5%	-0.8%
7	86.3	-7.2%	2.5%
8	90.7	-4.0%	3.2%
9	85.2	-2.4%	8.1%
10	81.7	0.9%	10.8%
11	85.4	4.5%	8.9%
12	88.7	5.7%	-1.4%
13	88.3	1.3%	-7.9%
14	85.1	2.4%	-10.4%
15	88.1	-4.8%	-2.7%
16	81.7	-4.3%	-10.9%

3000K | Rf: 88.1 | Rg: 99.7

Color Vector Graphic

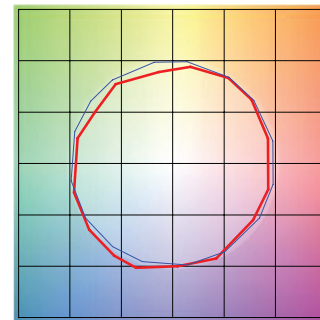


■ Test ■ Reference

HUE BIN	Rf	GRAPHIC SHIFTS %	
		CHROMA	HUE
1	87.7	-5.9%	-0.3%
2	87.9	-4.4%	4.3%
3	82.9	-1.2%	7.9%
4	89.9	0.6%	4.7%
5	92.7	3.0%	3.5%
6	92.7	3.6%	-1.7%
7	90.8	-1.3%	-4.4%
8	93.7	-2.5%	-2.2%
9	91.7	-3.7%	2.3%
10	85.5	-2.8%	7.8%
11	83.3	0.7%	11.0%
12	86.4	5.5%	3.8%
13	90.6	4.6%	-3.6%
14	85.6	5.9%	-8.4%
15	89.5	-0.6%	-5.7%
16	82.6	-2.7%	-12.0%

3500K | Rf: 86.1 | Rg: 95.5

Color Vector Graphic

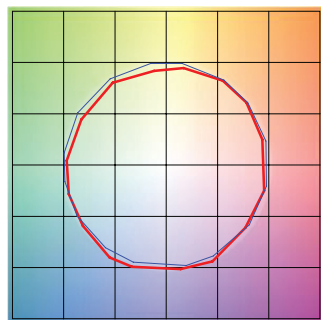


■ Test ■ Reference

HUE BIN	Rf	GRAPHIC SHIFTS %	
		CHROMA	HUE
1	86.6	-4.2%	3.4%
2	91.7	-1.4%	1.8%
3	94.9	-0.7%	0.4%
4	87.9	-4.5%	-4.1%
5	85.9	-10.3%	-2.7%
6	89.8	-5.2%	-0.4%
7	79.6	-9.5%	6.5%
8	87.6	-4.0%	5.7%
9	81.4	-0.5%	11.8%
10	78.3	3.3%	11.4%
11	85.7	6.3%	6.1%
12	86.3	7.1%	-4.6%
13	86.1	-0.7%	-9.6%
14	85.1	0.8%	-10.4%
15	83.4	-4.1%	-5.3%
16	82.5	-3.6%	-5.7%

4000K | Rf: 87.6 | Rg: 96.8

Color Vector Graphic

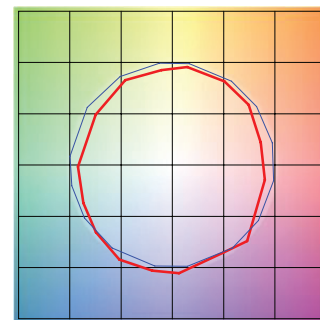


■ Test ■ Reference

HUE BIN	Rf	GRAPHIC SHIFTS %	
		CHROMA	HUE
1	89.0	-3.1%	2.1%
2	93.2	-0.9%	1.3%
3	94.3	-1.1%	0.7%
4	89.5	-4.0%	-2.3%
5	87.6	-7.8%	-1.8%
6	92.2	-4.6%	0.1%
7	87.4	-6.6%	3.6%
8	85.7	-3.8%	7.0%
9	81.5	-1.3%	12.4%
10	80.0	0.9%	11.4%
11	83.3	5.9%	8.7%
12	89.7	4.8%	-0.3%
13	88.5	2.4%	-6.3%
14	92.7	4.0%	-3.8%
15	86.1	-1.6%	-4.5%
16	85.0	-1.4%	-5.0%

5700K | Rf: 80.3 | Rg: 91.5

Color Vector Graphic



■ Test ■ Reference

HUE BIN	Rf	GRAPHIC SHIFTS %	
		CHROMA	HUE
1	73.8	-11.2%	2.6%
2	83.7	-5.5%	5.8%
3	84.2	-4.0%	5.5%
4	85.8	-3.5%	1.3%
5	85.3	-7.1%	0.6%
6	89.2	-5.8%	-2.2%
7	81.5	-10.7%	1.2%
8	75.7	-9.7%	8.5%
9	74.9	-7.8%	18.8%
10	67.8	-1.6%	18.0%
11	76.1	5.5%	12.0%
12	90.8	4.9%	-1.6%
13	83.6	5.0%	-9.5%
14	81.7	-1.2%	-10.0%
15	69.0	2.0%	-22.8%
16	83.2	-8.5%	-1.0%

PROJECT		FIXTURE TYPE		DATE	
---------	--	--------------	--	------	--