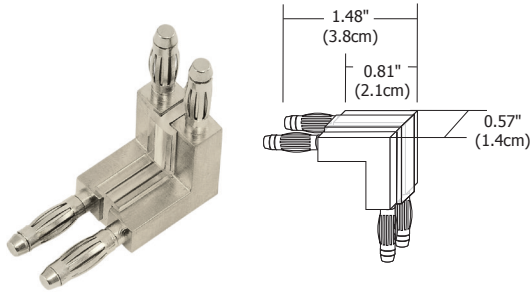


ANGLE JOINGING CONNECTORS - MONORAIL

REV 02.16.21

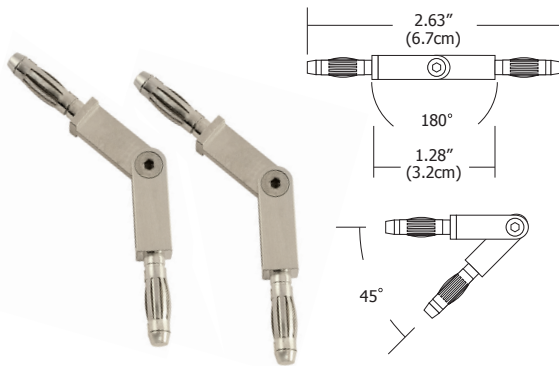
DESIGNED BY GREGORY KAY | ASSEMBLED IN AMERICA



L-Ceiling Conductive Connector

The L-Ceiling Conductive Connector physically and electrically joins two Monorail sections at 90° on a horizontal plane. Satin nickel finish.

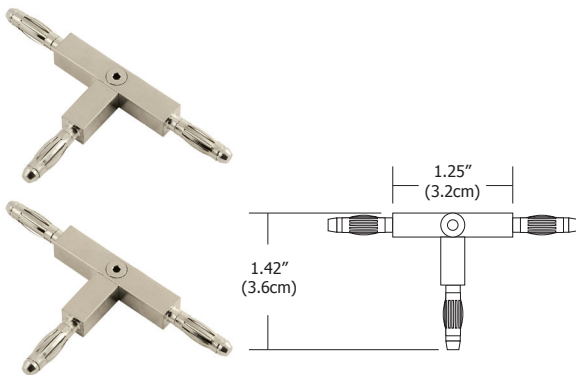
System	Type	Finish
MC	LC	SN
<small>MC Monorail Connector</small>	<small>LC L-Ceiling</small>	<small>SN Satin Nickel</small>



Flexible Conductive Connector

A pair of Flexible Conductive Connectors physically and electrically joins two Monorail sections at any angle from 45° to 180° on a horizontal plane. Satin nickel finish.

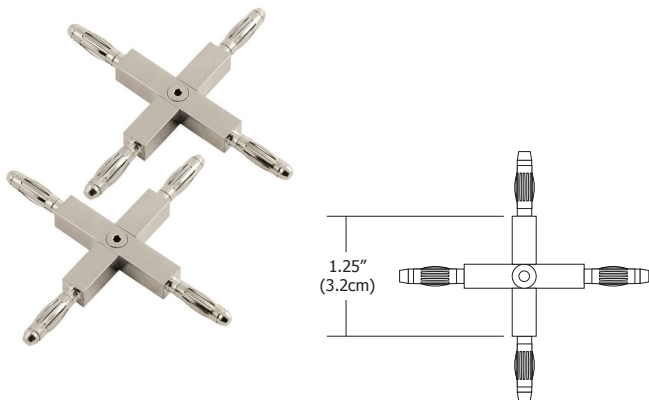
System	Type	Finish
MC	FX	SN
<small>MC Monorail Connector</small>	<small>FX Flexible</small>	<small>SN Satin Nickel</small>



T-Conductive Connector

A pair of T-Conductive Connectors physically and electrically joins three Monorail sections at 90° angles. Satin nickel finish.

System	Type	Finish
MC	TC	SN
<small>MC Monorail Connector</small>	<small>TC T-Conductive</small>	<small>SN Satin Nickel</small>



X-Conductive Connector

A pair of X-Conductive Connectors physically and electrically joins four Monorail sections at 90° angles. Satin nickel finish.

System	Type	Finish
MC	XC	SN
<small>MC Monorail Connector</small>	<small>XC X-Conductive</small>	<small>SN Satin Nickel</small>

PROJECT		FIXTURE TYPE		DATE	
---------	--	--------------	--	------	--