



FAST JACK 12VAC MULTI PORT CANOPIES

12VAC POWER SUPPLIES INCLUDED



DESIGNED BY GREGORY KAY | ASSEMBLED IN AMERICA | PATENT PENDING

REV 08.09.23

DESCRIPTION

Our Multi Port Canopies give you the ability to mix & match with any PureEdge Lighting 12VAC Fast Jack heads and pendants. The canopies mount to a standard 4" junction box with plaster ring, or to an octagon box. LED dimming range varies: reference corresponding fixture specification sheet, at www.pureedgelighting.com for dimming details.

POWER SUPPLY IN CANOPY

120V input - 12VAC output, ELV electric low voltage power supply

DIMMING

Dimmable to 1% Percent of Flicker <25%. Triac and ELV dimming standard. Compatible with Lutron Diva, Skylark and Legrand ELV dimmers.

APPLICATIONS

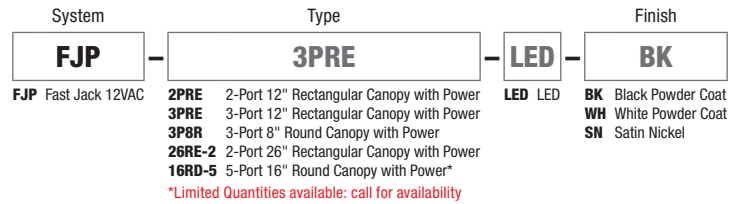
Designed for Indoor Use Only. Ideal Applications include commercial, architectural, retail and residential spaces including offices, conference rooms, entrance halls, lobbies, kitchens, dining rooms and more.

WARRANTY / LABELS

Pro-rated 5 year warranty. Assembled in America, RoHS, ETL

COMPLIANCE LABEL

ETL (Conforms to UL1598 and CSA 22.2 #250.0)



2PRE



3PRE



3P8R



26RE-2

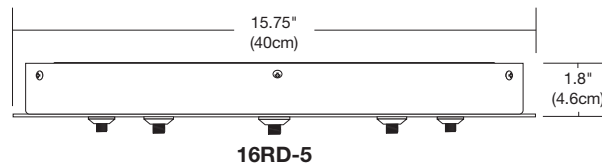
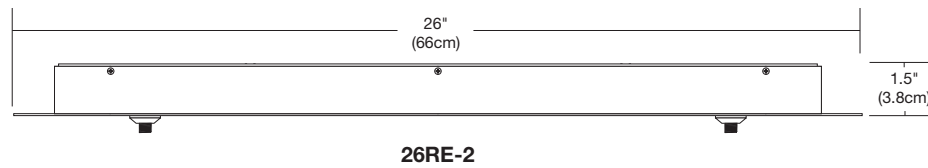
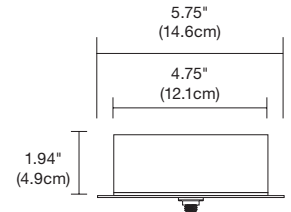
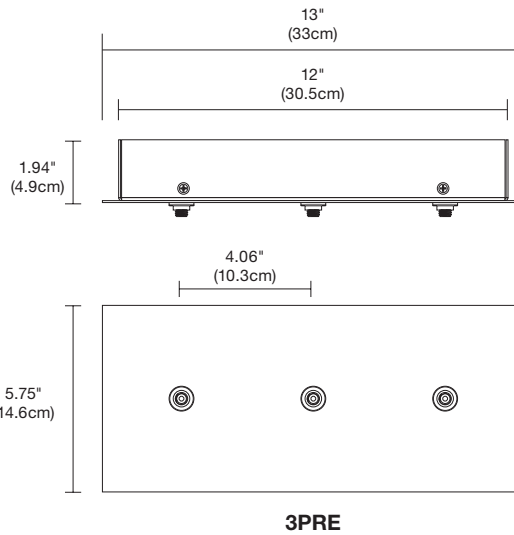
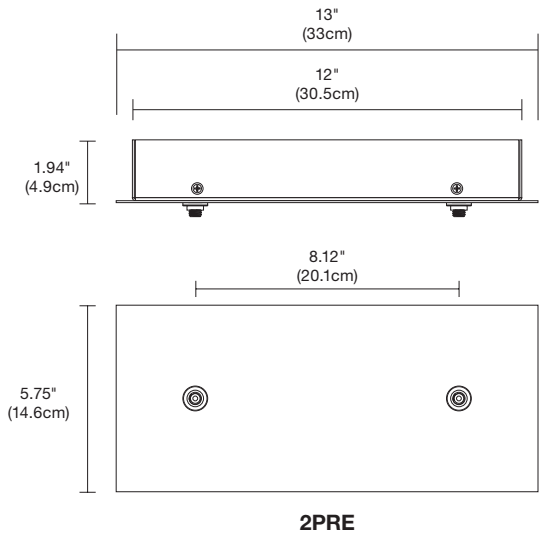
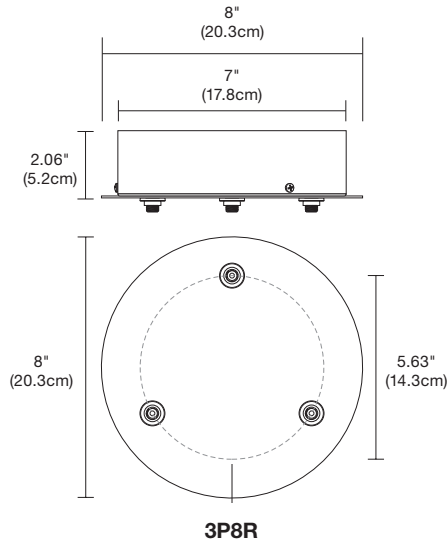


16RD-5

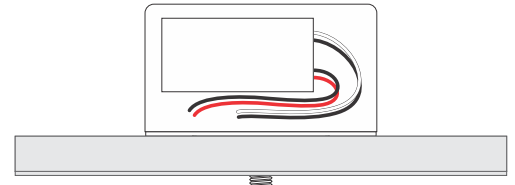
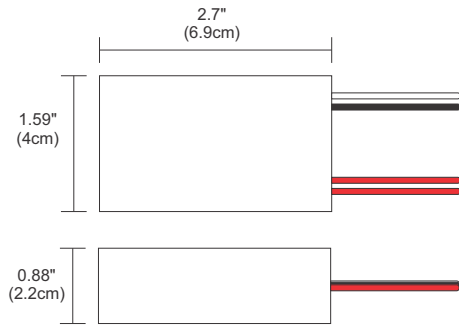
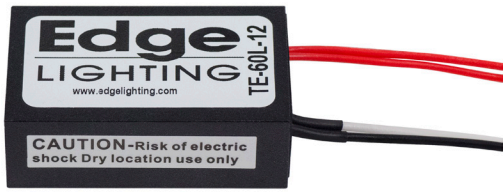
PROJECT	FIXTURE TYPE	DATE
---------	--------------	------

FAST JACK 12VAC MULTI PORT CANOPIES

12VAC POWER SUPPLIES INCLUDED



PROJECT	FIXTURE TYPE	DATE	
---------	--------------	------	--



60W 12VAC POWER SUPPLY

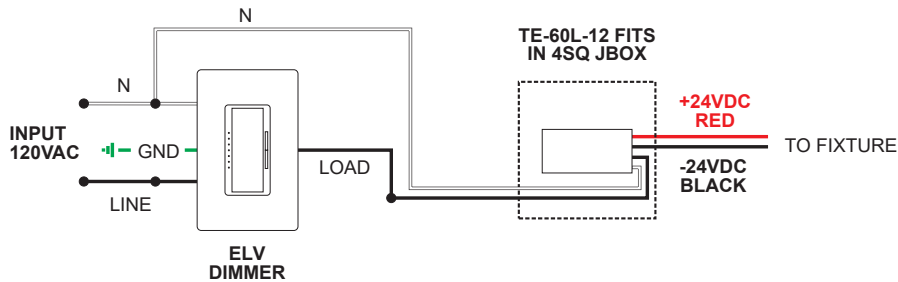
TE-60L-12 60 Watt 12VAC Electronic Transformer converts 120 volt line voltage to 12 volts and features built-in short-circuit protection. The solid, lightweight remote power supply fits inside a standard electrical junction box behind a power feed canopy. Must be in an accessible location or inside an electrical box. The single feed transformer power supply is both 12 volt AC LED and halogen compatible.

- No load technology, works with both Halogen & LED AC loads
- Isolated output power per NEC and UL safety requirements
- UL recognized/listed Class 2 power supply, meet UL 2108 requirements
- Auto-reset; Short circuit, Overload and Thermal protection
- Soft start
- Dimmable

SAMPLE WIRING DIAGRAMS 12VAC ELV

Application: ELV dimming (Reverse Phase/Trailing Edge) for Static White

Dimming: Dimmable with ELV dimmer: Legrand Adorne ADTP703TU; Lutron: Diva DVELV-300P, Skylark SELV-300P, Maestro MAELV-600 and Radio Ra 2



PROJECT		FIXTURE TYPE		DATE	
---------	--	--------------	--	------	--