

FLOW SUSPENSION TRACK

24VDC, REMOTE POWER, END FEED, STATIC WHITE AND WARM DIM

DESIGNED BY GREGORY KAY | ASSEMBLED IN AMERICA | US PATENT ISSUED

REV 12.09.25



DESCRIPTION

The Flow Track™ Suspension features a 360 Flex LED seamlessly wrapped around a single circuit track pipe, allowing you to have general lights and accent track lighting. Experiment with various configurations for a range of unique and dynamic designs. Designed for flexibility across minimal, transitional, and contemporary environments. Custom-tailor the Flow Single Circuit Suspension to any space instantly by adding Track Heads anywhere along the bottom of the suspension. The Flow creates a clean, uninterrupted indirect beam of light, available in multiple standard Color Temperatures, including Warm Dim 2700K (**27D**) or 3000K (**30D**) that dim down to 1800K. The Flow and Track Heads are powered by a 24VDC remote power supply (ordered separately) that can be located up to 40' away. Fixture includes a 5-year pro-rated warranty. For custom lengths, finishes, designs, and quotes send drawings to design@PureEdgeLighting.com.

INSTALLATION

- Pre-wired from a Remote Power Supply feeding 24VDC, 96 watts for Flow and Track lighting per circuit at a maximum of 40' away using #12 Gauge Wire
- Includes adjustable 12' Coaxial Cables

FINISHES



Black
BK

White
WH

LENS

- Diffused White Lens with 360° beam spread

LAMPING

- 5W - 5 Watts per Foot, Fixture lengths up to 8ft
- 95+ CRI 2700K, 3000K, or 3000D Warm Dim
- 50,000 Hour Lamp Life

REMOTE POWER SUPPLIES*, DIMMERS & CONTROLS (ORDER SEPARATELY)

24VDC, Class 2 wiring

- Pure Smart™ WiZ Pro [Power Supplies](#) & [Smart Controls](#)
- [Uni Trim Power Supply](#) Universal Dimming (**TRIAC, ELV, 0-10V**) ELV & TRIAC [Smart Dimmer & Switch](#)
- [DALI/DALI-2](#)
- [Electronic Low Voltage \(ELV\)*](#) 50W (fits inside junction box)
- [Lutron](#) Hi-Lume/Ecosystem

*In-Wall mounting and drop ceiling kits available for select power supplies

*ELV power supplies are not compatible with nLight, use only universal power supplies

APPROVALS

Class 2 Wiring up to 100 watts, Damp Location Suitable, ETL listed. Assembled in America.

APPLICATIONS

Designed for indoor use only. Ideal environments include commercial, architectural and retail spaces in addition to offices, conference rooms, entrance halls and lobbies.

System	Indirect Lighting Wattage Per Foot	Canopy	Nominal Size	Indirect Color Temperature	Finish
FT1R	5W	VR	6	30K	WH
FT1R Flow Suspension Track, One Circuit, Remote Power	5W 5 Watts	VR Vanishing Point Plaster in System with No Canopy 2R 2.8" Round Canopy 4R 4.6" Round Canopy	4 4 Feet 5 5 Feet 6 6 Feet 7 7 Feet 8 8 Feet	24K 2400K Very Warm White 27K 2700K Incandescent White 27D 2700K Warm Dim 30K 3000K Warm White 30D 3000K Warm Dim 35K 3500K Neutral White 40K 4000K Cool White	BK Black WH White

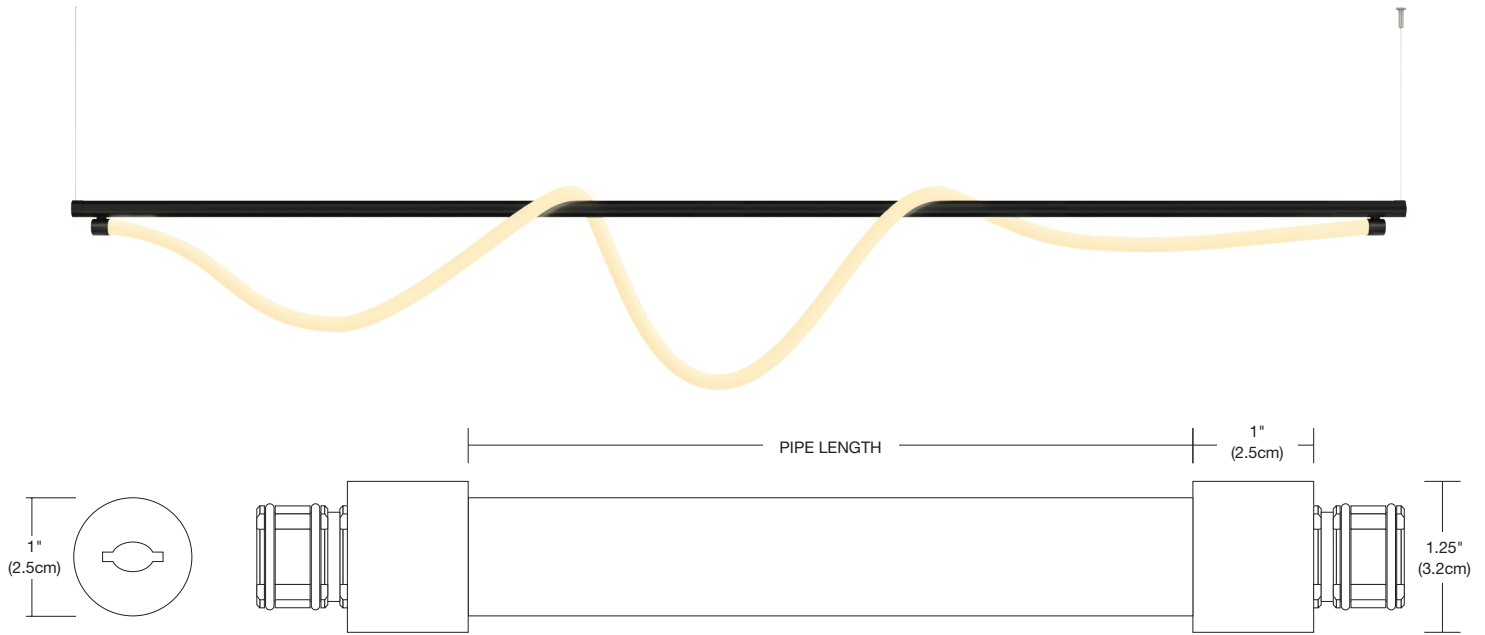
Over 48" comes with a PLSM - MCL - SN support cable (shown on page 9)

PROJECT	FIXTURE TYPE	DATE
---------	--------------	------

FLOW SUSPENSION TRACK

24VDC, REMOTE POWER, END FEED, STATIC WHITE AND WARM DIM

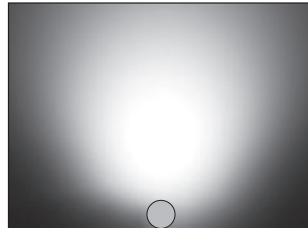
REV 12.09.25



NOMINAL DELIVERED LUMENS

1C CORA WEAVE 5W								
FIXTURE LENGTH (FT)	TOTAL WATTS	24K	27K	27D	30K	30D	35K	40K
4	28	2782	2812	1543	2929	1415	3360	3544
5	35	3478	3515	1929	3661	1769	4200	4430
6	42	4174	4217	2315	4393	2123	5040	5316
7	49	4869	4920	2701	5125	2476	5880	6202
8	56	5565	5623	3087	5858	2830	6720	7088

BEAM SPREAD CHART
PSTU 3000K 5 Watt 176°



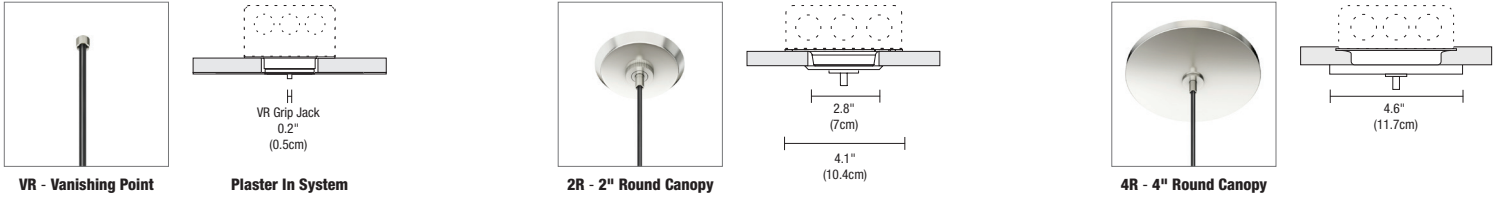
PROJECT		FIXTURE TYPE		DATE	
---------	--	--------------	--	------	--

FLOW SUSPENSION TRACK

24VDC, TWO CIRCUIT, REMOTE POWER, END FEED

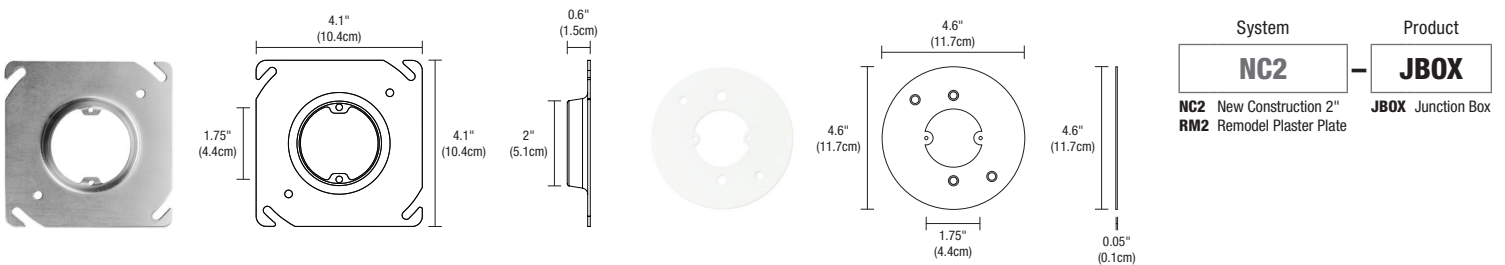
REMOTE POWER CANOPIES

The 2" Round and Square Canopy includes a NC2-JBOX junction box cover. The 4" canopies mount to a standard 4" junction box. Vanishing point is the only truly trimless and flush design available on the market with cables that disappear into the ceiling. Refer to the [Vanishing Point specification](#) for details and requirements including millwork options.

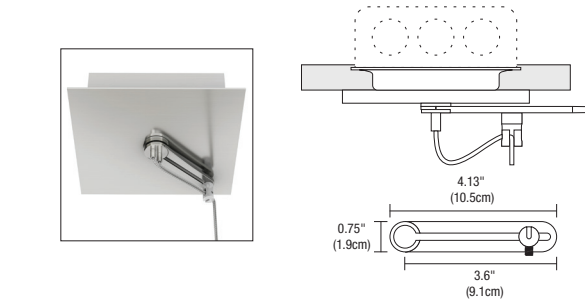


NEW CONSTRUCTION & REMODEL 2" COVER FOR 4" SQUARE JUNCTION BOX

The New Construction NC2-JBOX cover is included with the 2" round and square canopies and is not required for the 4" square canopies. The NC2 cover mounts to a standard 4" junction or octagon box accommodating the 2" Plaster Ring for use with the 2R and 2S canopies. The Remodel RM2-JBOX plaster plate cover must be used with the supplied PureEdge junction box.

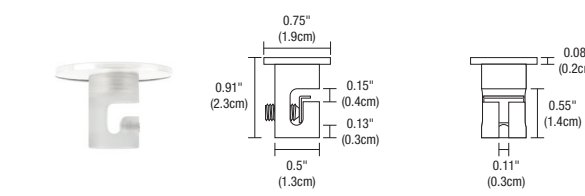
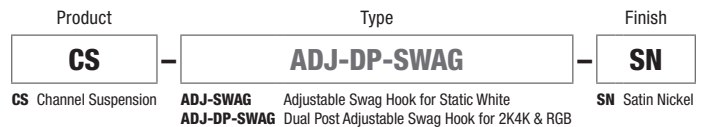


ACCESSORIES Additional components may be required based on lighting design and application.



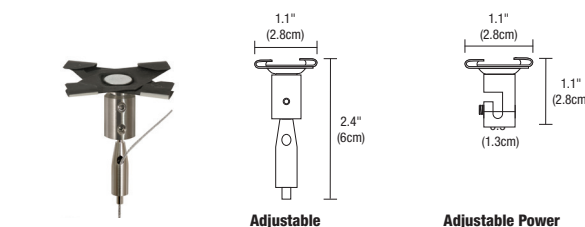
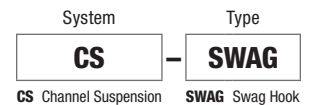
CHANNEL SUSPENSION ADJUSTABLE SWAG BAR AND HOOK

Channel Suspension Adjustable Swag Bar and Hook allows a cable to form a straight connection to the channel when the Power Canopy is not located directly above the fixture. Use when you have two or more canopies (power supplies) on the same fixture run. The Adjustable Swag Hook is compatible with the 2R, 2S, 4R and 4S Power Canopies (Canopy not included).



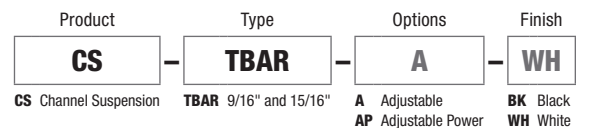
CHANNEL SUSPENSION SWAG HOOK

The clear plastic Swag Hook extends a cable from an electrical box that is not located directly above desired fixture location.



CHANNEL SUSPENSION ADJUSTABLE T-BAR CLIP

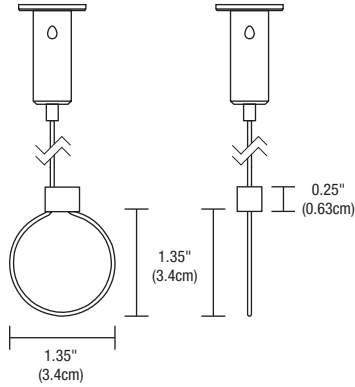
Channel Suspension Adjustable T-Bar Clip mounts to T-Bar grid ceilings. Adjustable is offered in Satin Nickel, Clear plastic for Adjustable Power.



PROJECT	FIXTURE TYPE	DATE
---------	--------------	------

FLOW SUSPENSION TRACK

24VDC, TWO CIRCUIT, REMOTE POWER, END FEED



PIPELINE 1 SUSPENSION LANYARD CABLE MOUNTING CLIP

Rotatable support cable included with every 5' of Pipeline Suspension LED fixture.

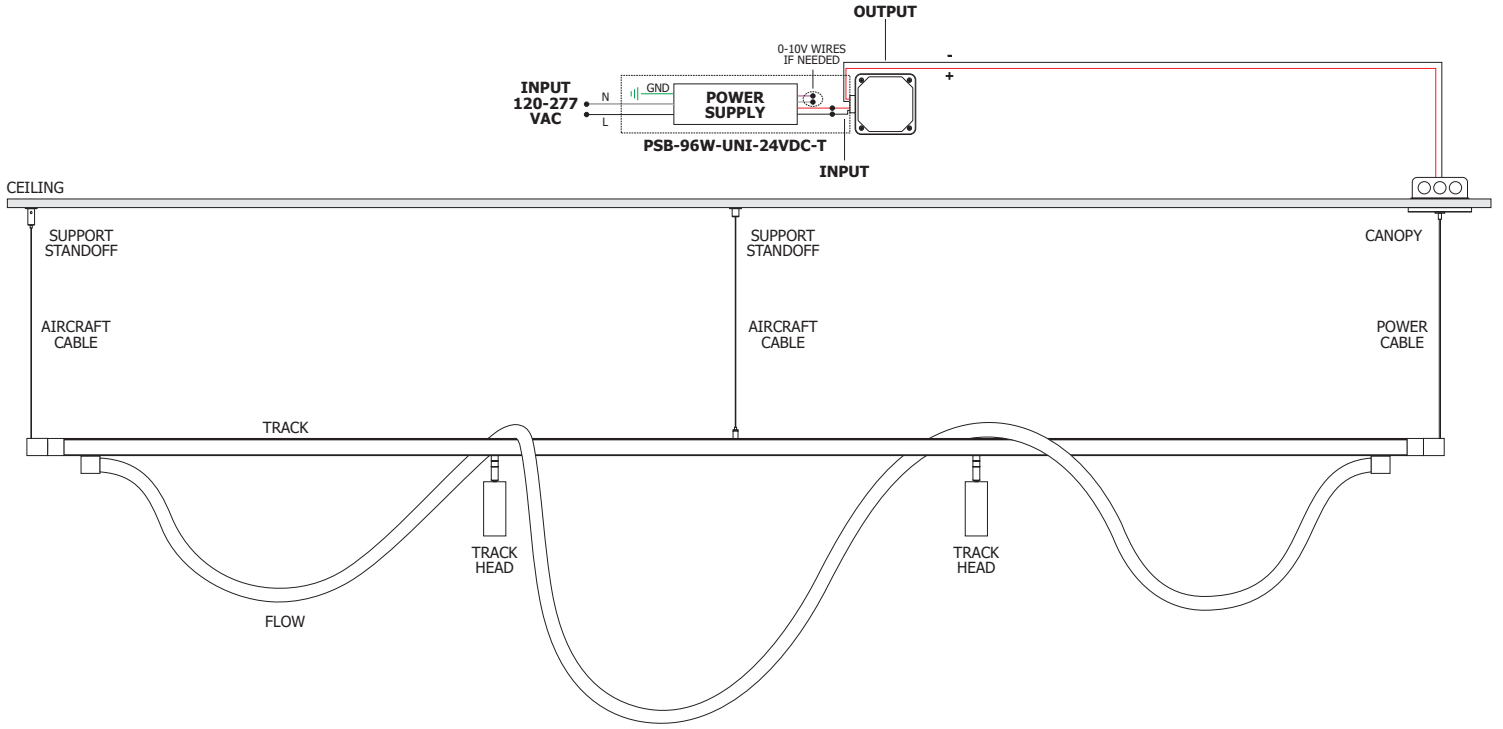
System	Type	Finish
PLSM	MCL	SN
PLSM Pipeline Suspension Modular Up or Downlight	MCL Mounting Clip	SN Satin Nickel Hardware

PROJECT	FIXTURE TYPE	DATE
---------	--------------	------

FLOW SUSPENSION TRACK

24VDC, REMOTE POWER, END FEED, STATIC WHITE AND WARM DIM

DRAWINGS Drawings are shown with 4" round canopy



PROJECT		FIXTURE TYPE		DATE	
---------	--	--------------	--	------	--

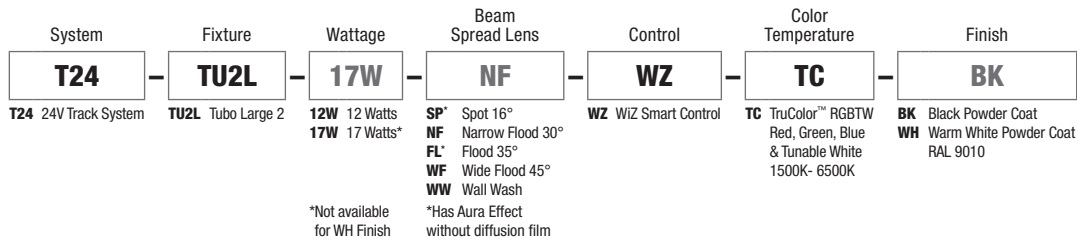
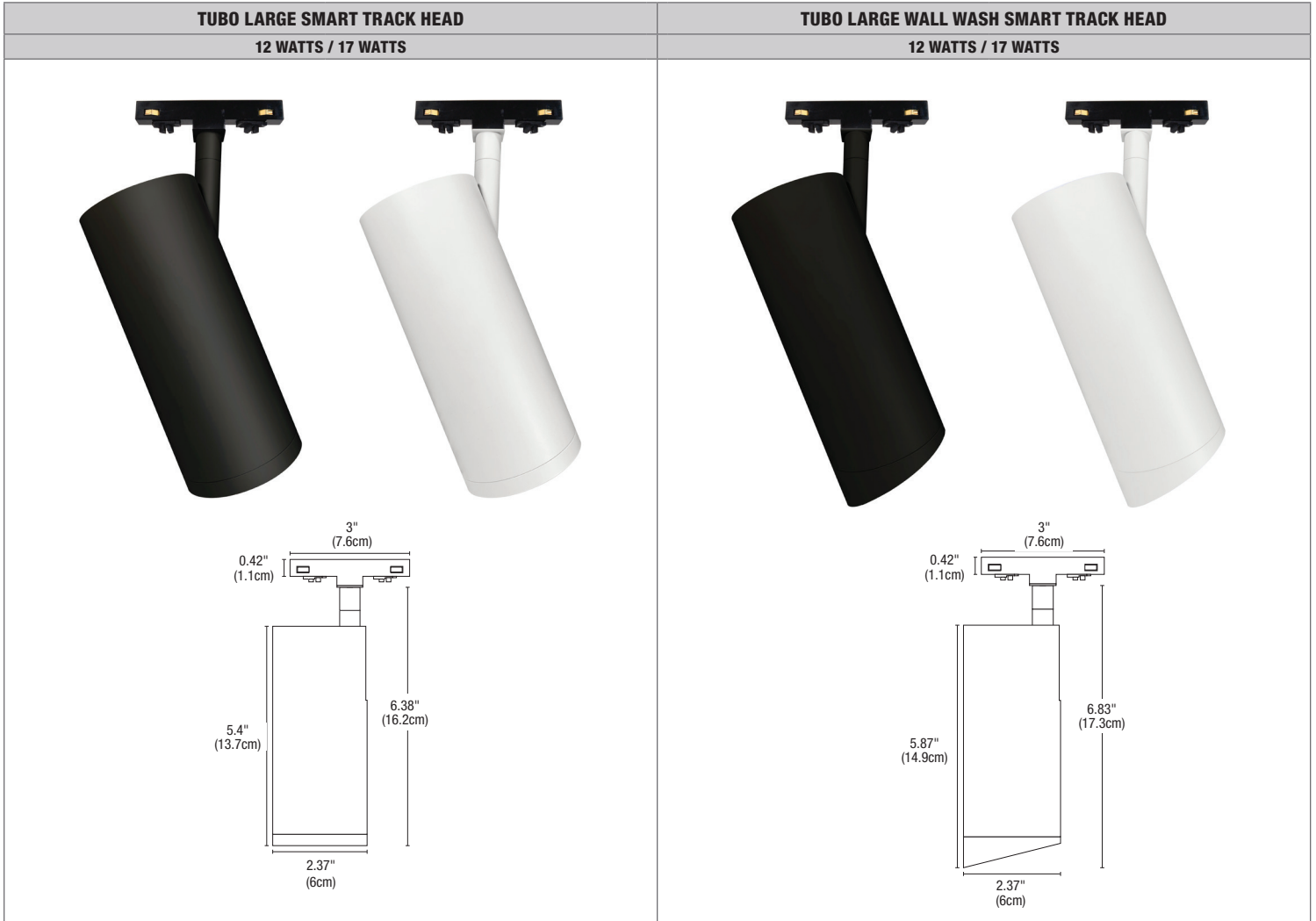
FLOW SUSPENSION TRACK

24VDC, REMOTE POWER, END FEED, STATIC WHITE AND WARM DIM

REV 12.09.25

PureEdge T24 Track Heads are Compatible with Surface and Suspended systems only: Pipeline & Pipeline 360 Modular Suspensions, Track Suspensions and Pipeline Stem Mount Wall/Display (P1SDM, PT, PSTU2CR, PSTU2CR) and Surface Mount track (TS24).

Pure Smart™ TruColor™ RGBTW

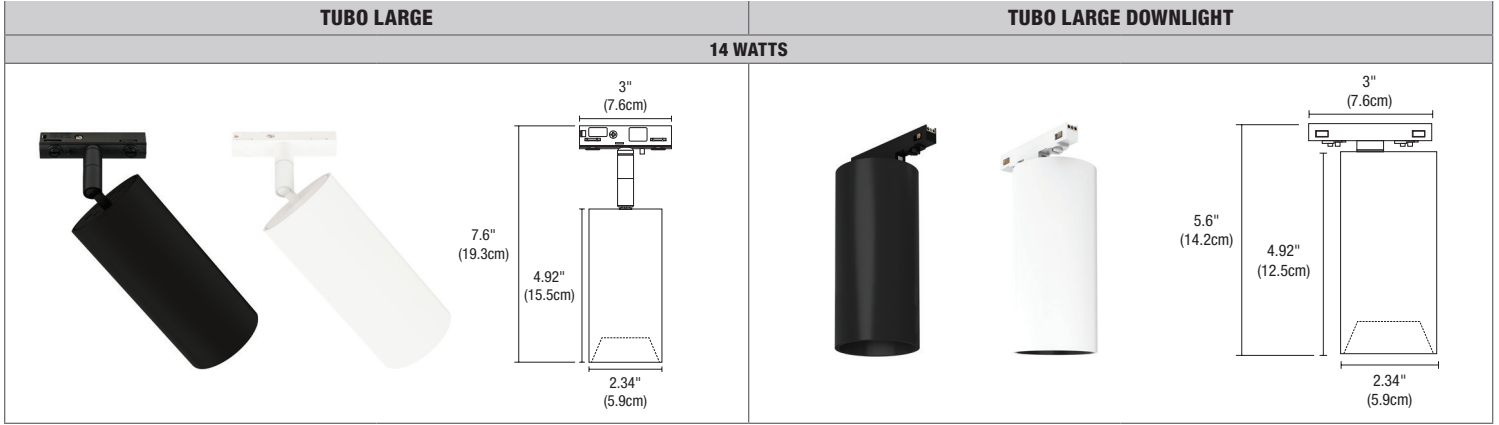


WATTS	12W										17W								
	20K	22K	24K	27K	30K	35K	40K	57K	65K	20K	22K	24K	27K	30K	35K	40K	57K	65K	
COLOR TEMPERATURE	445	462	507	596	670	737	751	596	494	830	862	962	1130	1271	1401	1531	1307	1082	
LUMENS	44	44	47	52	56	61	64	60	56	64	62	65	72	79	87	96	93	82	
LUMENS PER WATT (lm/w)	86.7	88.3	89.7	93.2	95.2	96.8	96.7	93.9	91.6	86.4	88.4	91.8	94.7	95.9	97.3	96.5	94.8	93.3	
CRI	-0.0027	-0.0011	-0.0019	-0.0022	-0.0023	-0.0005	-0.0005	-0.0041	-0.0036	0.0026	0.0026	0.0026	0.0033	0.0037	0.0024	0.0008	0.0024	0.0006	
Rf	87	88	90	93	94	94	93	93	91	88	89	92	94	95	95	94	93	92	
Rg	104	101	103	103	103	101	100	105	106	105	105	105	104	104	103	100	105	105	
R9	91	92	90	94	97	98	94	80	66	84	86	92	97	97	98	85	90	83	
R13	83	85	87	91	93	96	96	93	92	82	85	89	93	94	96	99	96	96	
R15	92	93	93	95	96	97	95	91	88	90	91	93	96	96	97	96	94	93	
WATTS	10	11	11	12	12	12	12	10	9	13	14	15	16	16	16	16	14	13	

PROJECT	FIXTURE TYPE	DATE
---------	--------------	------

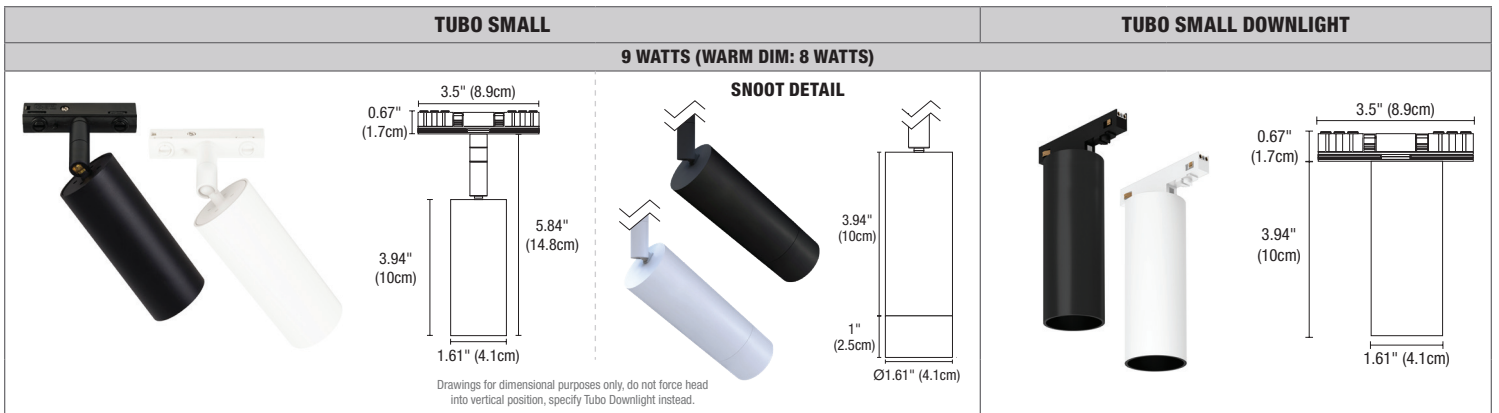
FLOW SUSPENSION TRACK

24VDC, REMOTE POWER, END FEED, STATIC WHITE AND WARM DIM



System	Fixture	Beam Spread	Color Temperature	Finish
T24	TUBL	FL	30K	WH
T24 24V Track System	TUBL Tubo Large TUBLD Tubo Large Downlight	NS Narrow Spot 10° SP Spot 20° NF Narrow Flood 35° FL Flood 45° WF Wide Flood 60°	24K 2400K Very Warm White 27K 2700K Incandescent White 30D 3000D Warm Dim 30K 3000K Warm White 35K 3500K Neutral White	BK Black Powder Coat WH Warm White Powder Coat RAL 9010
		For 7° use STB16 snoot with NS	30D NS: 7.5W, 400 lumens	

BEAM ANGLE REFERENCE 45°					
COLOR TEMPERATURE	24K	27K	30K	30D	35K
TOTAL LUMENS	1238	1035	1069	683	1268
WATTS	14	14	14	14	14
LUMENS PER WATT (lm/w)	88	74	76	49	91
CRI	97	92	91	97	98
TM-30 DATA	R9: 60 Rf: 93 Rg: 98	R9: 97 Rf: 92 Rg: 100	R9: 64 Rf: 91 Rg: 98	R9: 90 Rf: 95 Rg: 102	R9: 92 Rf: 94 Rg: 101



System	Fixture	Beam Spread	Color Temperature	Finish
T24	TUBS	FL	30K	WH
T24 24V Track System	TUBS Tubo Small TUBSD Tubo Small Downlight	NS* Narrow Spot 15° SP Spot 25° NF Narrow Flood 35° FL Flood 45° WF Wide Flood 60°	24K 2400K Very Warm White 27K 2700K Incandescent White 30D 3000D Warm Dim 30K 3000K Warm White 35K 3500K Neutral White	BK Black Powder Coat WH Warm White Powder Coat RAL 9010
		*NS with 30D Warm Dim uses snoot		

BEAM ANGLE REFERENCE 45°					
COLOR TEMPERATURE	24K	27K	30K	30D	35K
TOTAL LUMENS	503	420	434	287	515
WATTS	9	9	9	8	9
LUMENS PER WATT (lm/w)	59	49	51	39	61
CRI	97	92	93	94	98
TM-30 DATA	R9: 60 Rf: 93 Rg: 98	R9: 97 Rf: 92 Rg: 100	R9: 64 Rf: 91 Rg: 98	R9: 90 Rf: 95 Rg: 102	R9: 92 Rf: 94 Rg: 101

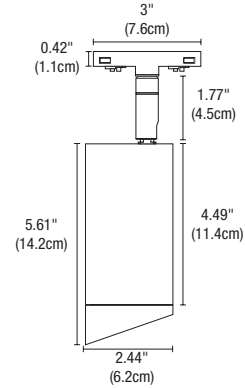
PROJECT	FIXTURE TYPE	DATE
---------	--------------	------

FLOW SUSPENSION TRACK

24VDC, REMOTE POWER, END FEED, STATIC WHITE AND WARM DIM

TUBO LARGE WALL WASH

15 WATTS



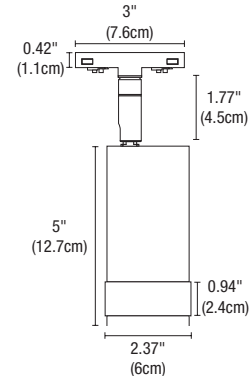
System: **T24** — Fixture: **TUBL** — Beam Spread: **WW** — Color Temperature: **30K** — Finish: **BK**

- T24** Track Head 24V
- TUBL** Tubo Large
- WW** Wall Wash
- 24K** 2400K Very Warm White
- 27K** 2700K Incandescent White
- 30K** 3000K Warm White
- 30D** 3000K Warm Dim to 1800K
- 35K** 3500K Neutral White
- BK** Black Powder Coat
- WH** Warm White Powder Coat RAL 9010

TUBO WALL WASH	
COLOR TEMPERATURE	30K
TOTAL LUMENS	884
WATTS	15
LUMENS PER WATT (lm/w)	59
CRI	92
TM-30 DATA	R9: 61 Rf: 92 Rg: 100

ZOOM

16 WATTS



System: **T24** — Fixture: **ZOOM** — Beam Spread: **Z2** — Color Temperature: **30K** — Finish: **BK**

- T24** Track Head 24V Connector
 - ZOOM** Zoom
 - Z1** Zoom Adjust 15° to 55°
 - Z2** Zoom Adjust 20° to 50°
 - 24K** 2400K Very Warm White
 - 27K** 2700K Incandescent White
 - 30K** 3000K Warm White
 - 30D** 3000K Warm Dim to 1800K*
 - 35K** 3500K Neutral White
 - BK** Black Powder Coat
 - WH** Warm White Powder Coat RAL 9010
- *Only available for Z2

	Z1		Z2		Z2	
BEAM ANGLE	15°	55°	20°	50°	20°	50°
COLOR TEMPERATURE	30K	30K	30K	30K	30D	30D
TOTAL LUMENS	686	873	795	1188	727	879
WATTS	16	16	16	16	15	15
LUMENS PER WATT (lm/w)	46	61	69	89	50	61
CRI	93	93	94	94	97	97
TM-30 DATA	R9: 66 Rf: 92 Rg: 101	R9: 66 Rf: 92 Rg: 101	R9: 74 Rf: 92 Rg: 102	R9: 74 Rf: 92 Rg: 102	R9: 66 Rf: 94 Rg: 101	R9: 66 Rf: 94 Rg: 101

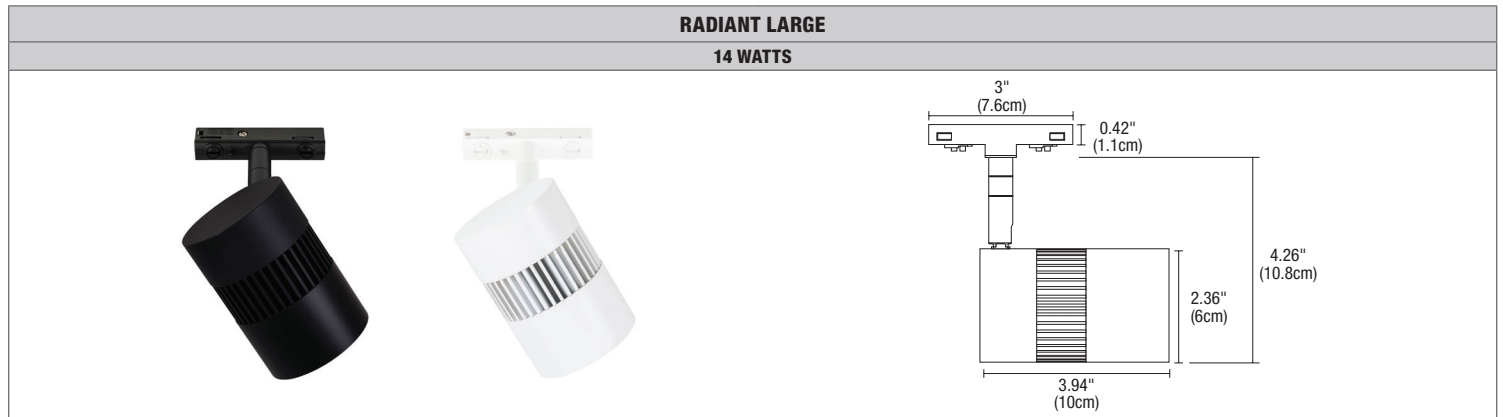
PROJECT	FIXTURE TYPE	DATE
---------	--------------	------

FLOW SUSPENSION TRACK

24VDC, REMOTE POWER, END FEED, STATIC WHITE AND WARM DIM

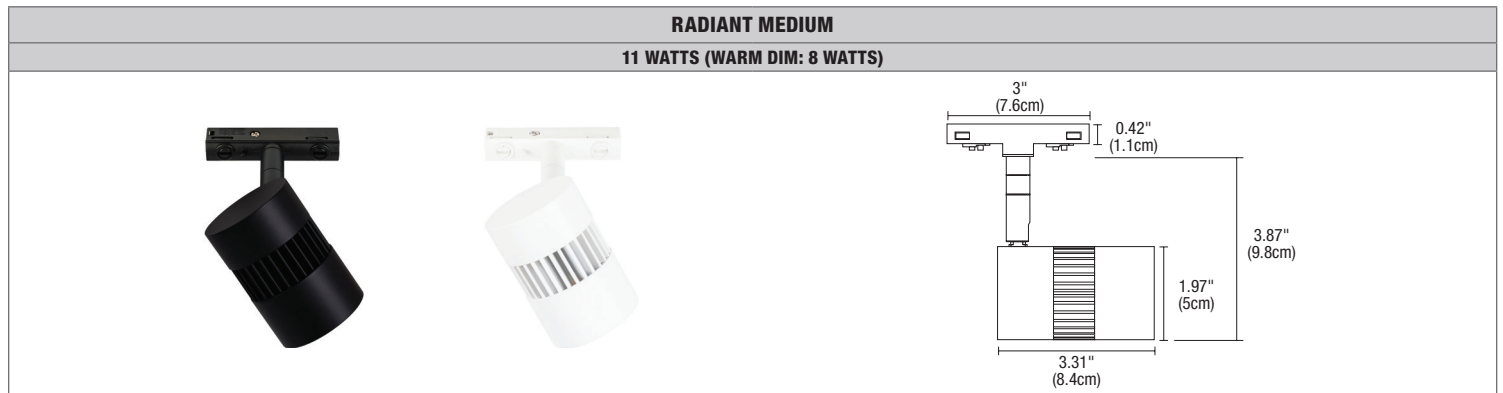
REV 12.09.25

All uniform beam spread options are field changeable, see accessories page.



System	Fixture	Beam Spread	Color Temperature	Finish
T24	RADL	FL	30K	WH
T24 24V Track System	RADL Radiant Large	NS Narrow Spot 10° SP Spot 20° NF Narrow Flood 35° FL Flood 45° WF Wide Flood 60° Warm Dim: NS (15°), SP (25°)	24K 2400K Very Warm White 27K 2700K Incandescent White 30K 3000K Warm White 30D 3000D Warm Dim* 35K 3500K Neutral White *Not available in NF	BK Black Powder Coat WH Warm White Powder Coat RAL 9010

BEAM ANGLE REFERENCE 45°					
COLOR TEMPERATURE	24K	27K	30K	30D	35K
TOTAL LUMENS	1389	1161	1199	838	1422
WATTS	14	14	14	14	14
LUMENS PER WATT (lm/w)	99	83	86	58	102
CRI	97	92	93	97	98
TM-30 DATA	R9: 60 Rf: 93 Rg: 98	R9: 97 Rf: 92 Rg: 100	R9: 64 Rf: 91 Rg: 98	R9: 90 Rf: 95 Rg: 102	R9: 92 Rf: 94 Rg: 101



System	Fixture	Beam Spread	Color Temperature	Finish
T24	RADM	FL	30K	WH
T24 24V Track System	RADM Radiant Medium	SP Spot 20° NF Narrow Flood 35° FL Flood 45° WF Wide Flood 60°	24K 2400K Very Warm White 27K 2700K Incandescent White 30K 3000K Warm White 30D 3000D Warm Dim 35K 3500K Neutral White	BK Black Powder Coat WH Warm White Powder Coat RAL 9010

BEAM ANGLE REFERENCE 45°					
COLOR TEMPERATURE	24K	27K	30K	30D	35K
TOTAL LUMENS	765	639	660	360	783
WATTS	11	11	11	7.7	11
LUMENS PER WATT (lm/w)	70	58	64	47	76
CRI	97	92	93	93	98
TM-30 DATA	R9: 97 Rf: 92 Rg: 100	R9: 64 Rf: 91 Rg: 98	R9: 90 Rf: 95 Rg: 102	R9: 92 Rf: 94 Rg: 101	R9: 92 Rf: 94 Rg: 101

PROJECT	FIXTURE TYPE	DATE
---------	--------------	------

FLOW SUSPENSION TRACK

24VDC, REMOTE POWER, END FEED, STATIC WHITE AND WARM DIM

Additional Lenses and Accessories

REV 12.09.25

TUBO LARGE LENS		SNOOT		LOUVER	FOCUS LENS	LINEAR SPREAD FILM	
ORDERING CODE	STATIC WHITE LEN-TUBL-NS-SW LEN-TUBL-SP-SW LEN-TUBL-NF-SW LEN-TUBL-FL-SW LEN-TUBL-WF-SW	WARM DIM LEN-TUBL-SP-WD LEN-TUBL-NF-WD LEN-TUBL-FL-WD LEN-TUBL-WF-WD	STB16-BK STB16-WH (WHITE SHELL)	ST16-BK ST16-WH	L016-H	LF-TUBL-SF (SOFT FOCUS), MF (MEDIUM FOCUS), WF (WIDE FOCUS)	LF-TUBL-LS
LENS SIZE	2" (50mm) Diameter						
BEAM SPREADS	NS (10°), SP (20°), NF (35°) FL (45°), WF (60°)		Conical snoot creates a 7° Beam spread and is designed to reduce spill and control glare. Spun aluminum.	Snoot is designed to reduce spill and control glare. Spun aluminum.	Hexcell louver eliminates glare. 0.125" Thickness.	Soft focus lens is included with every track head. Diffuses the beam, providing uniform illumination.	Linear spread film: directs the light into an elongated beam. Typical applications using 10°, 15°, 25° include illuminating landscape oriented art. 35°, 40°, 60° create an elongated oval typically used for wall washing.

TUBO SMALL LENS		SNOOT		LOUVER	FOCUS LENS	LINEAR SPREAD FILM	
ORDERING CODE	STATIC WHITE LEN-TUBS-NS-SW LEN-TUBS-SP-SW LEN-TUBS-NF-SW LEN-TUBS-FL-SW LEN-TUBS-WF-SW	WARM DIM LEN-TUBS-NS-WD LEN-TUBS-SP-WD LEN-TUBS-NF-WD LEN-TUBS-FL-WD LEN-TUBS-WF-WD	TUBS-ST-BK TUBS-ST-WH (WHITE SHELL)		L011-H	LF-TUBS-SF (SOFT FOCUS), MF (MEDIUM FOCUS), WF (WIDE FOCUS)	LF-TUBS-LS
LENS SIZE	1.37" (35mm) Diameter						
BEAM SPREADS	NS (15°), SP (25°), NF (35°), FL (45°), WF (60°)		Conical snoot creates a 7° Beam spread and is designed to reduce spill and control glare. Spun aluminum.	Hexcell louver eliminates glare. 0.125" Thickness.	Soft focus lens is included with every track head. Diffuses the beam, providing uniform illumination.	Linear spread film: directs the light into an elongated beam. Typical applications using 10°, 15°, 25° include illuminating landscape oriented art. 35°, 40°, 60° create an elongated oval typically used for wall washing.	

RADIANT LARGE LENS		SNOOT		LOUVER	FOCUS LENS	LINEAR SPREAD FILM	
ORDERING CODE	STATIC WHITE LEN-RADL-NS-SW LEN-RADL-SP-SW LEN-RADL-NF-SW LEN-RADL-FL-SW LEN-RADL-WF-SW	WARM DIM LEN-RADL-NS-WD LEN-RADL-SP-WD LEN-RADL-FL-WD LEN-RADL-WF-WD	STB16-BK STB16-WH (WHITE SHELL)		L016-H	LF-RADL-SF (SOFT FOCUS), MF (MEDIUM FOCUS), WF (WIDE FOCUS)	LF-RADL-LS
LENS SIZE	2" (50mm) Diameter						
BEAM SPREADS	NS (10°), SP (20°), NF (35°), FL (45°), WF (60°)	NS (15°), SP (25°), FL (45°), WF (60°)	Conical snoot creates a 7° Beam spread and is designed to reduce spill and control glare. Spun aluminum.	Hexcell louver eliminates glare. 0.125" Thickness.	Soft focus lens is included with every track head. Diffuses the beam, providing uniform illumination.	Linear spread film: directs the light into an elongated beam. Typical applications using 10°, 15°, 25° include illuminating landscape oriented art. 35°, 40°, 60° create an elongated oval typically used for wall washing.	

RADIANT MEDIUM LENS		LOUVER	FOCUS LENS	LINEAR SPREAD FILM	
ORDERING CODE	STATIC WHITE LEN-RADM-SP-SW LEN-RADM-NF-SW LEN-RADM-FL-SW LEN-RADM-WF-SW	WARM DIM LEN-RADM-SP-WD LEN-RADM-NF-WD LEN-RADM-FL-WD LEN-RADM-WF-WD	L011-H	LF-RADM-SF (SOFT FOCUS) MF (MEDIUM FOCUS), WF (WIDE FOCUS)	LF-RADM-LS
LENS SIZE	1.37" (35mm) Diameter				
BEAM SPREADS	SP (20°), NF (35°), FL (45°), WF (60°)		Hexcell louver eliminates glare. 0.125" Thickness.	Soft focus lens is included with every track head. Diffuses the beam, providing uniform illumination.	Linear spread film: directs the light into an elongated beam. Typical applications using 10°, 15°, 25° include illuminating landscape oriented art. 35°, 40°, 60° create an elongated oval typically used for wall washing.

PROJECT		FIXTURE TYPE		DATE	
---------	--	--------------	--	------	--

FLOW SUSPENSION TRACK

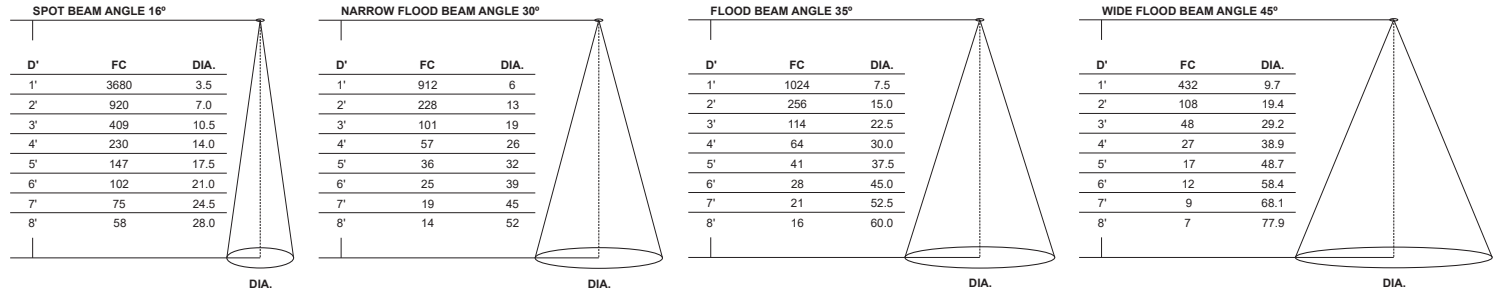
24VDC, REMOTE POWER, END FEED, STATIC WHITE AND WARM DIM

REV 12.09.25

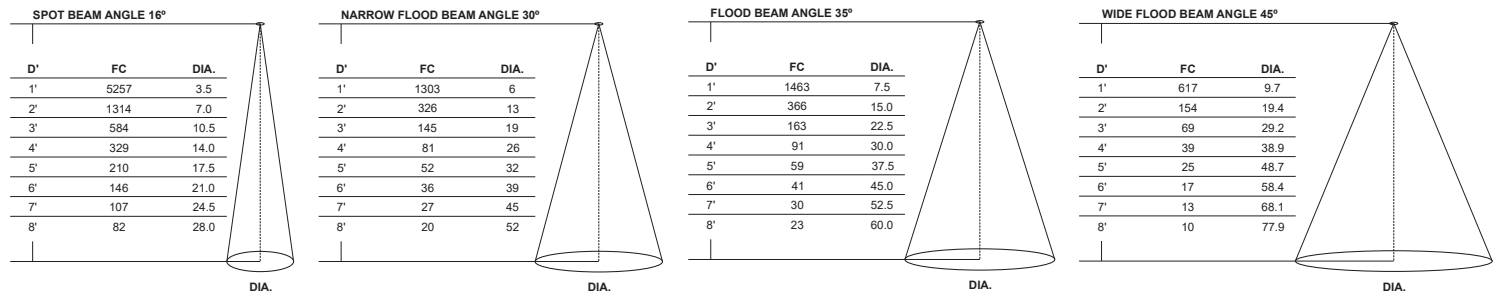
TUBO LARGE RGBTW SMART TRACKHEAD Photometric Data at 3000K

D - Distance from TUBO LARGE fixture
 FC - Initial foot candles at the center of beam
 DIA - Diameter

12 Watt

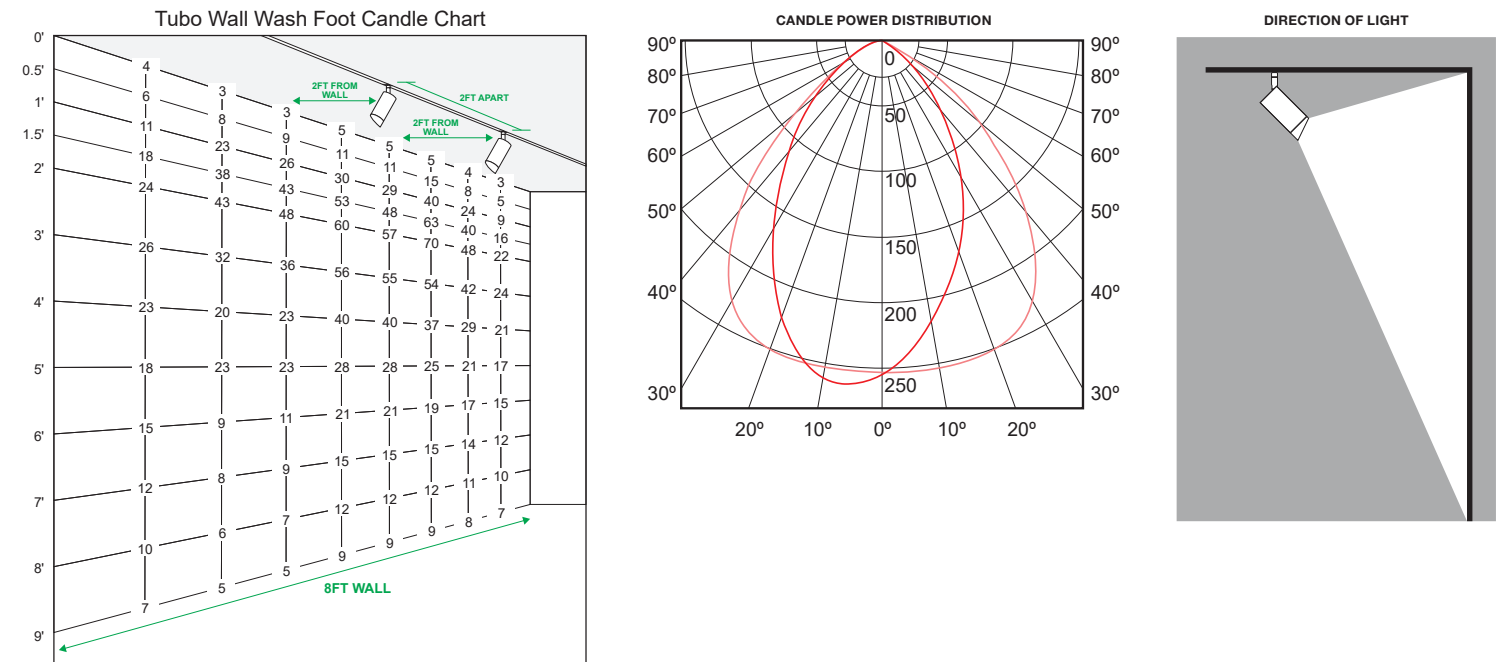


17 Watt



TUBO WALL WASH RGBTW SMART TRACKHEAD Photometric Data at 3000K

D - Distance from fixture
 FC - Initial foot candles at the center of beam
 DIA - Diameter



PROJECT	FIXTURE TYPE	DATE
---------	--------------	------

FLOW SUSPENSION TRACK

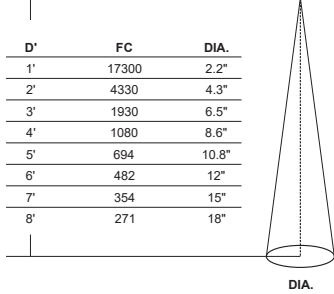
24VDC, REMOTE POWER, END FEED, STATIC WHITE AND WARM DIM

REV 12.09.25

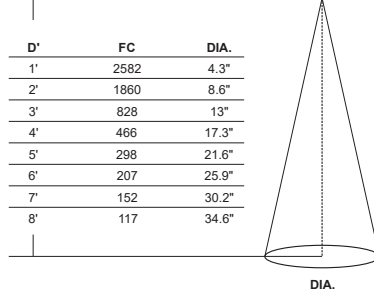
TUBO LARGE Photometric Data at 3000K

D - Distance from fixture
FC - Initial foot candles at the center of beam
DIA - Diameter

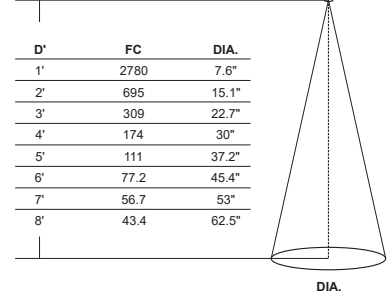
NARROW SPOT BEAM ANGLE 10°



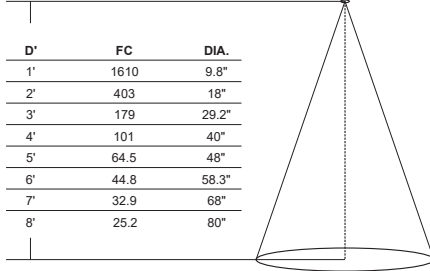
SPOT BEAM ANGLE 20°



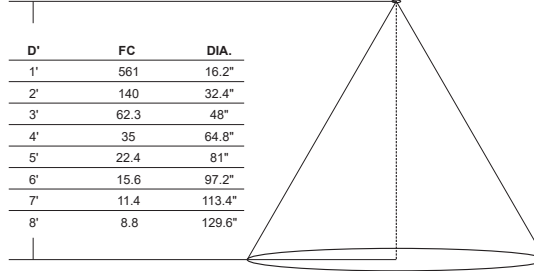
NARROW FLOOD BEAM ANGLE 35°



FLOOD BEAM ANGLE 45°



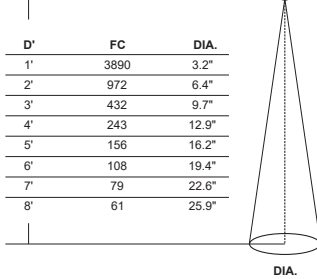
WIDE FLOOD BEAM ANGLE 60°



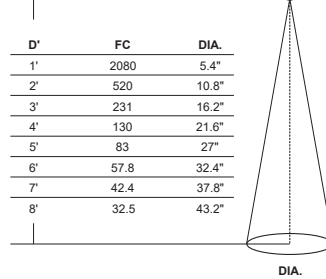
TUBO SMALL Photometric Data at 3000K

D - Distance from fixture
FC - Initial foot candles at the center of beam
DIA - Diameter

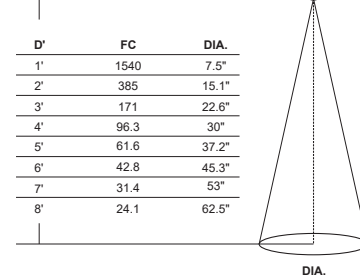
NARROW SPOT BEAM ANGLE 15°



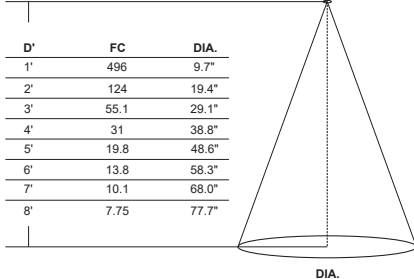
SPOT BEAM ANGLE 25°



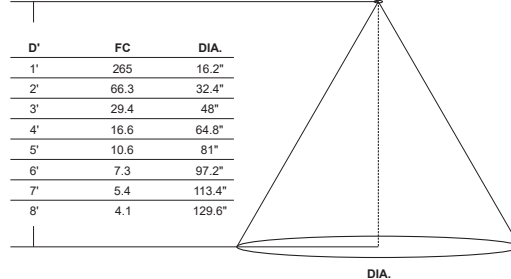
NARROW FLOOD BEAM ANGLE 35°



FLOOD BEAM ANGLE 45°



WIDE FLOOD BEAM ANGLE 60°



PROJECT	FIXTURE TYPE	DATE
---------	--------------	------

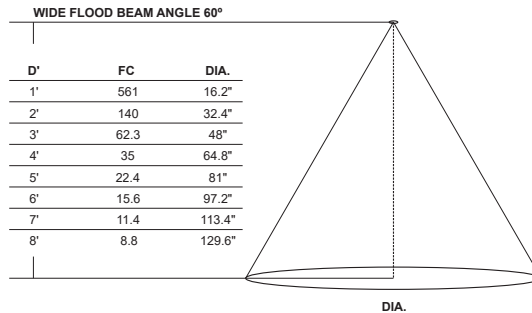
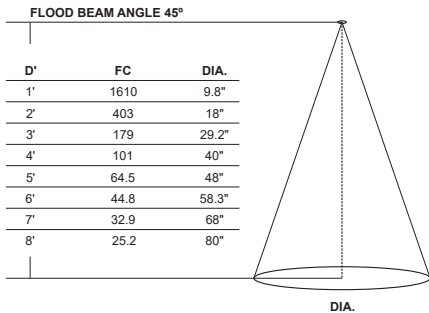
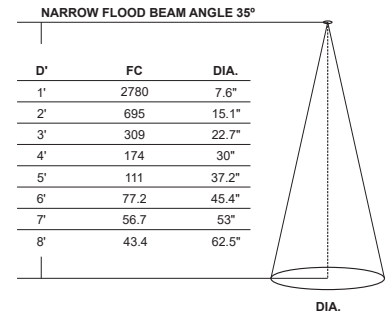
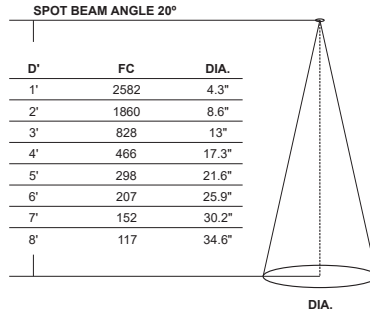
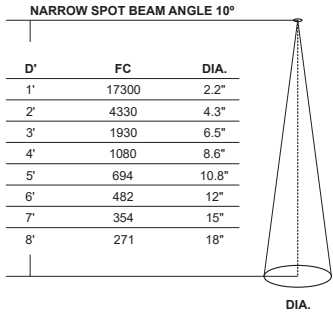
FLOW SUSPENSION TRACK

24VDC, REMOTE POWER, END FEED, STATIC WHITE AND WARM DIM

REV 12.09.25

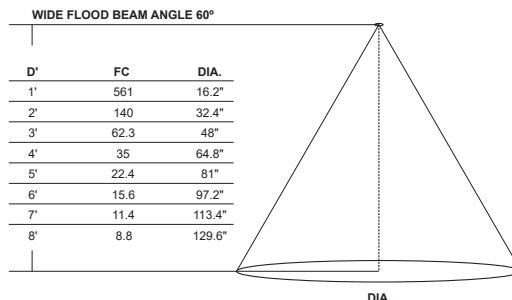
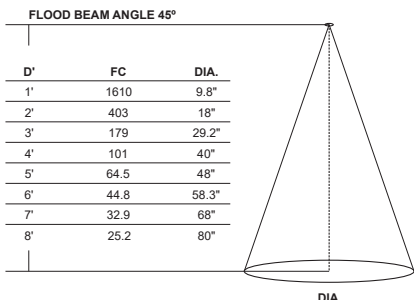
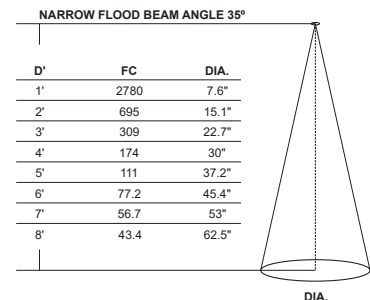
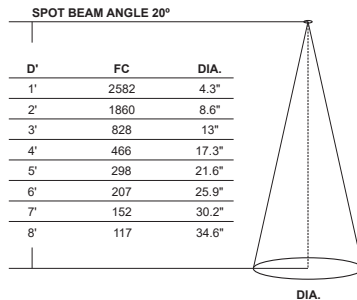
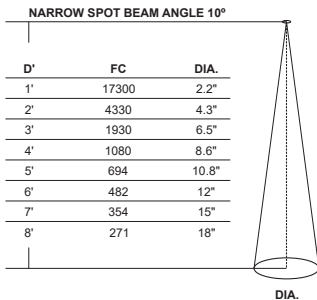
TUBO LARGE DOWNLIGHT Photometric Data at 3000K

D - Distance from fixture
FC - Initial foot candles at the center of beam
DIA - Diameter



TUBO SMALL DOWNLIGHT Photometric Data at 3000K

D - Distance from fixture
FC - Initial foot candles at the center of beam
DIA - Diameter



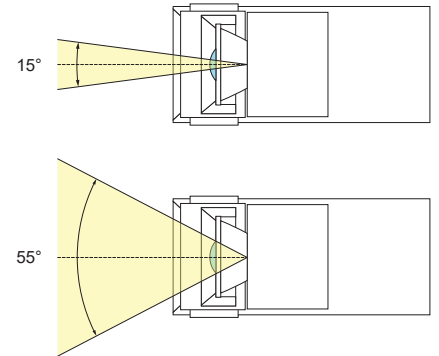
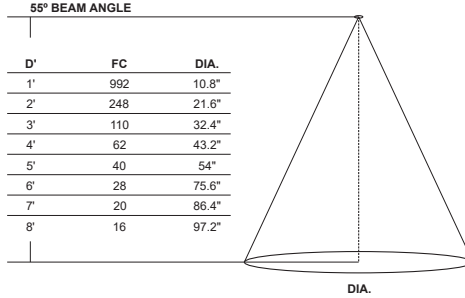
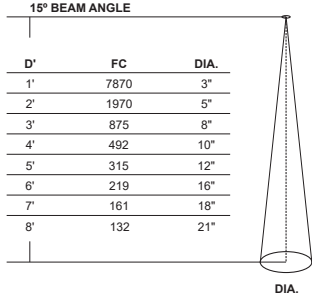
PROJECT	FIXTURE TYPE	DATE
---------	--------------	------

FLOW SUSPENSION TRACK

24VDC, REMOTE POWER, END FEED, STATIC WHITE AND WARM DIM

ZOOM Z1 Photometric Data at 3000K

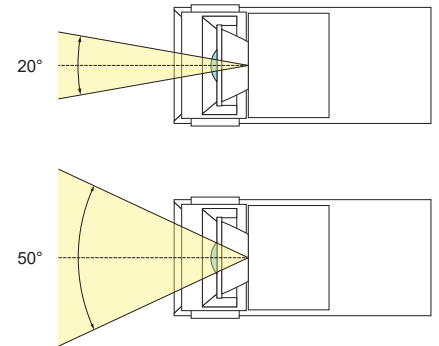
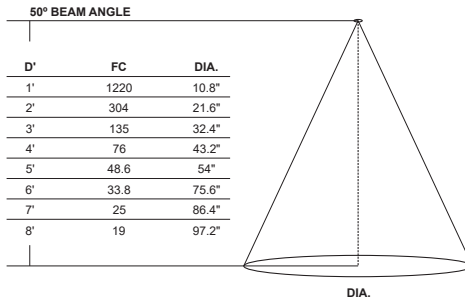
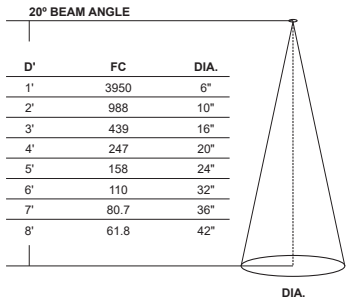
D - Distance from fixture
FC - Initial foot candles at the center of beam
DIA - Diameter



Z1: Adjustable between 15° and 55°

ZOOM Z2 Photometric Data at 3000K

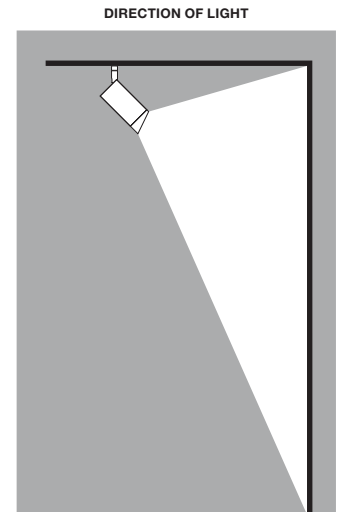
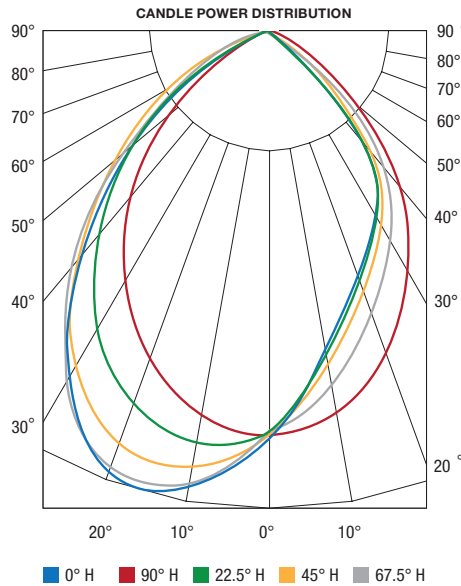
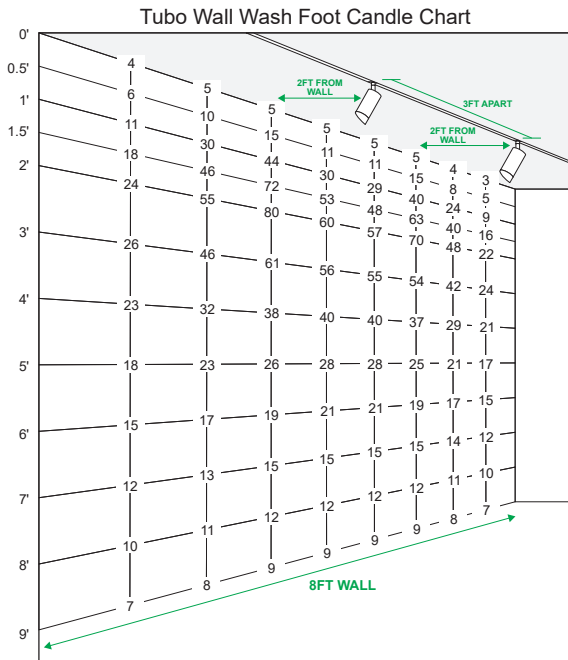
D - Distance from fixture
FC - Initial foot candles at the center of beam
DIA - Diameter



Z2: Adjustable between 20° and 50°

TUBO WALL WASH Photometric Data at 3000K

D - Distance from fixture
FC - Initial foot candles at the center of beam
DIA - Diameter



PROJECT	FIXTURE TYPE	DATE
---------	--------------	------

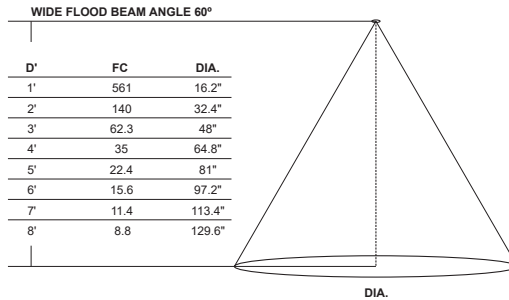
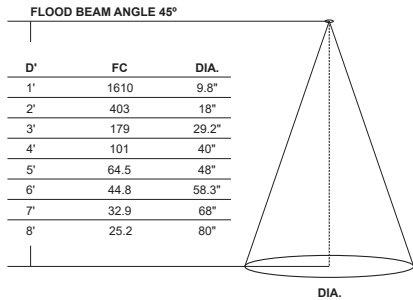
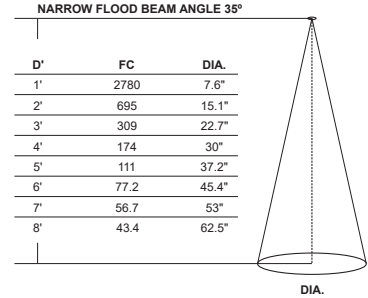
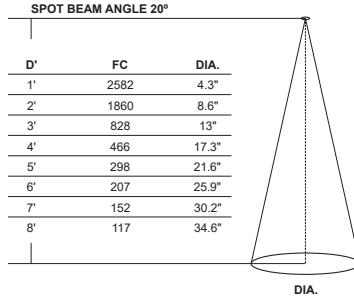
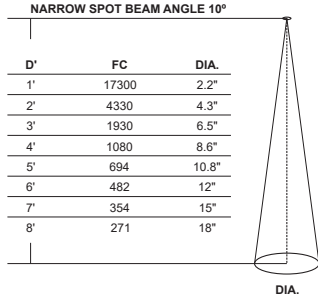
FLOW SUSPENSION TRACK

24VDC, REMOTE POWER, END FEED, STATIC WHITE AND WARM DIM

REV 12.09.25

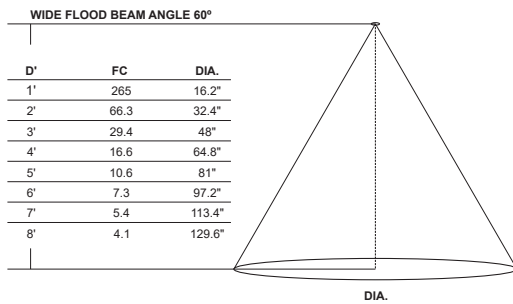
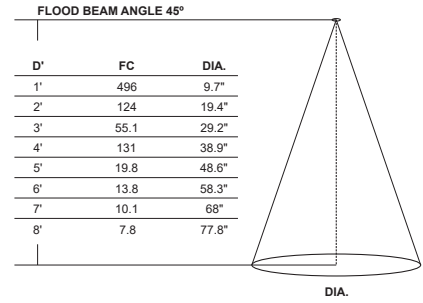
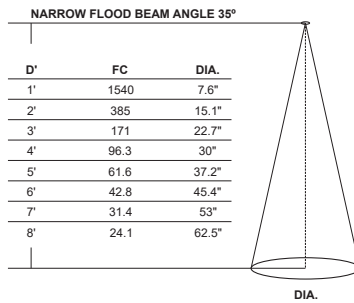
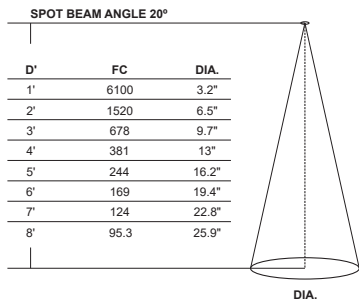
RADIANT LARGE Photometric Data at 3000K

D - Distance from fixture
FC - Initial foot candles at the center of beam
DIA - Diameter



RADIANT MEDIUM Photometric Data at 3000K

D - Distance from fixture
FC - Initial foot candles at the center of beam
DIA - Diameter



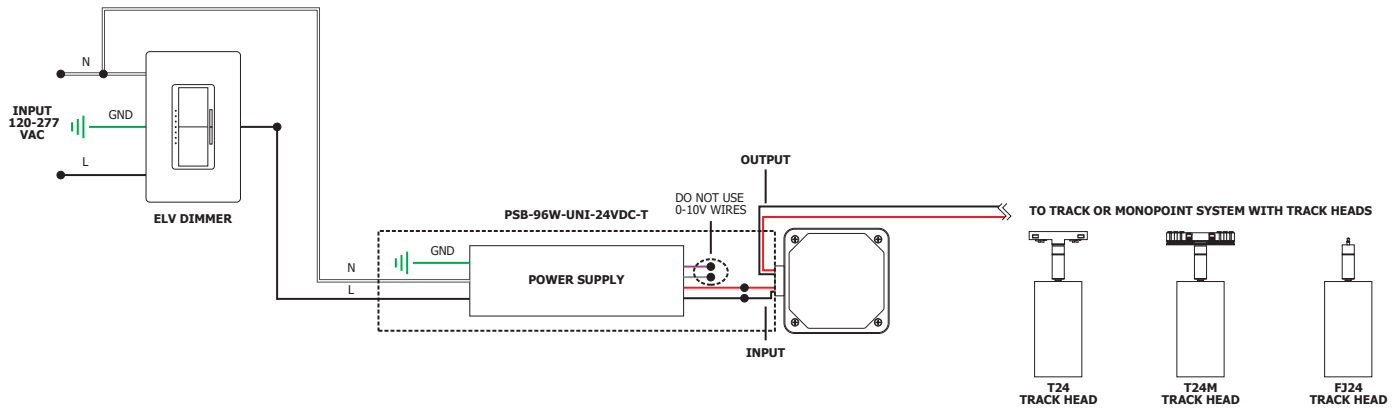
PROJECT	FIXTURE TYPE	DATE
---------	--------------	------

FLOW SUSPENSION TRACK

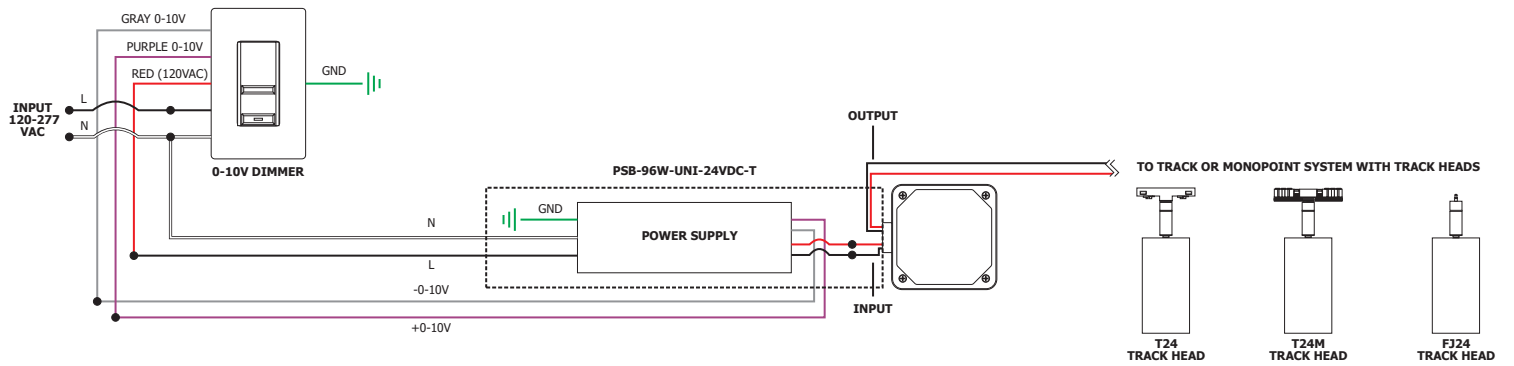
24VDC, REMOTE POWER, END FEED, STATIC WHITE AND WARM DIM

REV 12.09.25

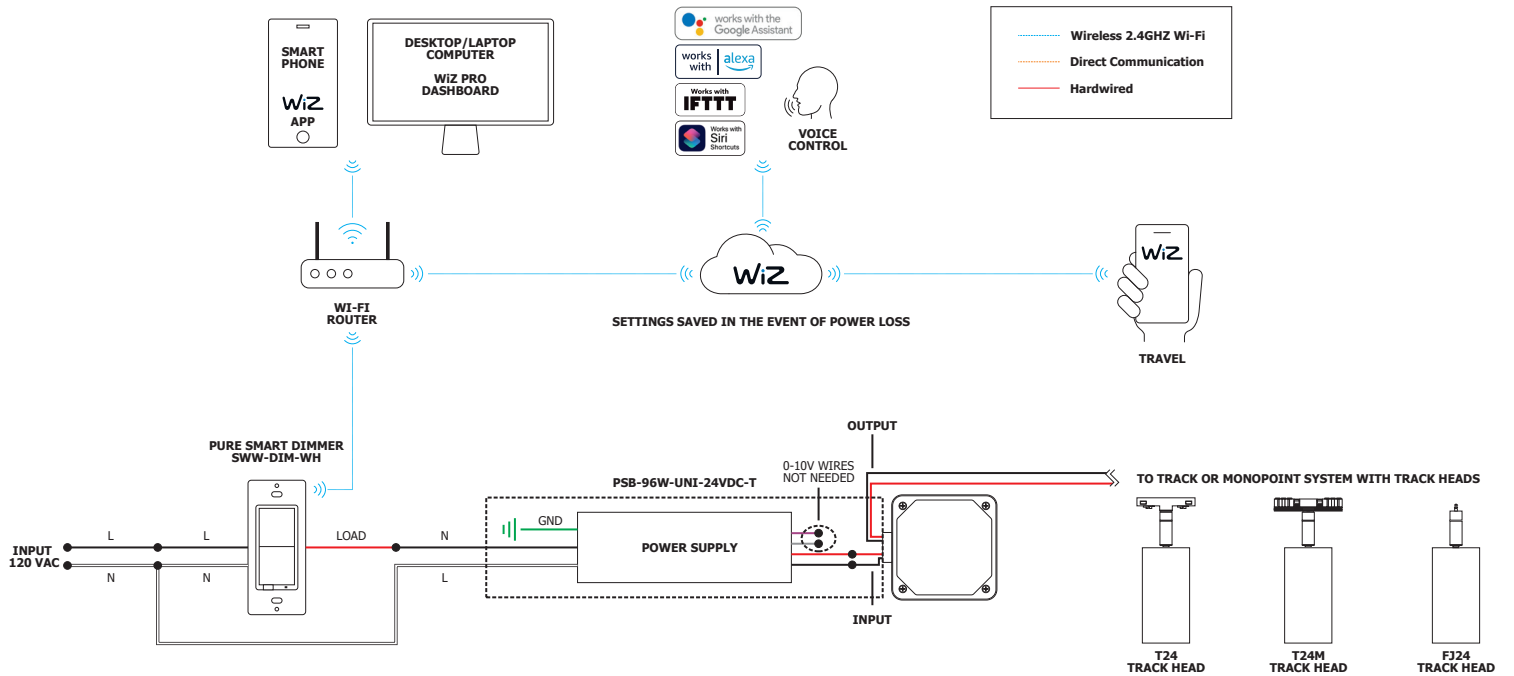
ELV WIRING DIAGRAM



0-10V WIRING DIAGRAM



SMART WIRING DIAGRAM & NETWORK TOPOGRAPHY



PROJECT	FIXTURE TYPE	DATE
---------	--------------	------

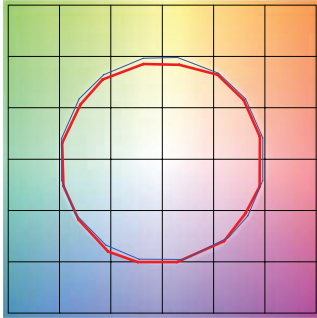
SUSPENSION TM30 DATA

24VDC, REMOTE POWER, END FEED, STATIC WHITE AND WARM DIM

TM-30-15 DATA: The data below is for bare LED Static White Strip. Consistent color temperatures throughout a single strip and among multiple strips is possible through a 3 phase binning process in which each order is inspected with a color meter to ensure uniformity.

2400K | Rf: 84.5 | Rg: 94.4

Color Vector Graphic

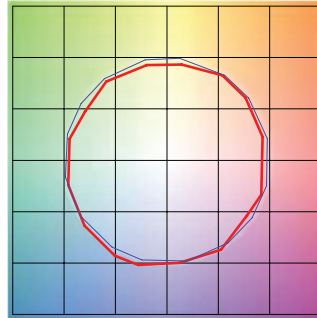


■ Test ■ Reference

HUE BIN	Rf	GRAPHIC SHIFTS %	
		CHROMA	HUE
1	92	-2.4%	1.5%
2	94.7	-2.1%	-0.0%
3	95.4	-1.9%	-0.1%
4	88.7	-6.7%	-3.1%
5	92.8	-5.6%	1.0%
6	92.7	-3.4%	3.4%
7	89.9	-4.3%	4.1%
8	92.4	-1.4%	4.4%
9	89	-0.6%	5.8%
10	88.9	0.4%	6.2%
11	89.7	4.0%	5.4%
12	92.6	3.0%	-0.7%
13	90.9	1.1%	-7.0%
14	89.9	0.5%	-5.8%
15	92.1	-3.2%	0.1%
16	88.9	-1.7%	-6.3%

2700K | Rf: 87.7 | Rg: 96.1

Color Vector Graphic

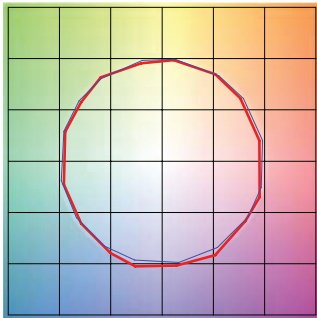


■ Test ■ Reference

HUE BIN	Rf	GRAPHIC SHIFTS %	
		CHROMA	HUE
1	88.0	-4.3%	2.6%
2	91.6	-2.4%	2.0%
3	93.7	-1.4%	1.9%
4	88.9	-5.6%	-3.1%
5	92.3	-5.5%	-0.5%
6	92.9	-3.5%	0.1%
7	84.5	-7.5%	4.6%
8	90.8	-3.0%	4.4%
9	84.5	-1.3%	8.3%
10	83.9	2.0%	9.8%
11	87.2	5.3%	7.1%
12	89.2	5.4%	-2.6%
13	88.7	0.3%	-7.8%
14	86.8	1.7%	-9.3%
15	87.6	-5.4%	-1.3%
16	83.6	-3.3%	-9.5%

3000K | Rf: 88.1 | Rg: 99.7

Color Vector Graphic

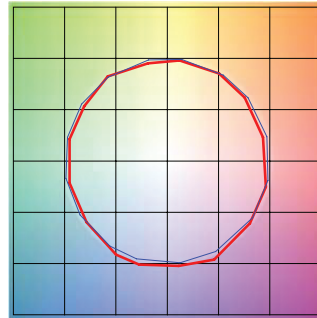


■ Test ■ Reference

HUE BIN	Rf	GRAPHIC SHIFTS %	
		CHROMA	HUE
1	92.5	-3.1%	0.3%
2	93.3	-2.3%	1.9%
3	90.9	-0.8%	3.9%
4	94.3	-1.1%	1.4%
5	92.5	-2.6%	1.5%
6	96.4	1.2%	-0.3%
7	92.6	-2.5%	-0.0%
8	96.9	-1.4%	0.2%
9	92.3	-1.8%	4.3%
10	86.6	-0.7%	7.0%
11	86.5	2.4%	8.2%
12	89.8	5.9%	1.7%
13	93.9	2.6%	-2.7%
14	89.4	5.1%	-5.8%
15	90.1	-0.1%	-4.7%
16	86.5	0.3%	-9.7%

3500K | Rf: 86.1 | Rg: 95.5

Color Vector Graphic

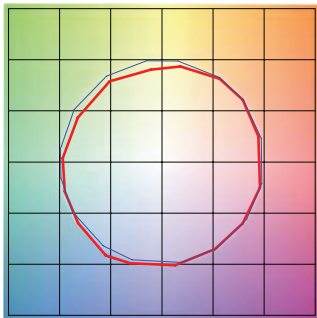


■ Test ■ Reference

HUE BIN	Rf	GRAPHIC SHIFTS %	
		CHROMA	HUE
1	90.8	-3.8%	0.3%
2	92.3	-2.8%	2.1%
3	89.7	-1.0%	4.3%
4	92.6	-1.4%	1.7%
5	91.8	-3.1%	1.3%
6	96.2	0.8%	-0.4%
7	92.9	-3.2%	0.2%
8	94.3	-2.5%	1.5%
9	90.4	-2.5%	5.2%
10	84.3	-1.4%	9.5%
11	83.1	3.5%	9.8%
12	88.2	4.8%	3.4%
13	94.0	2.7%	-2.0%
14	88.7	5.9%	-5.8%
15	88.7	0.7%	-5.9%
16	86.8	-0.7%	-6.7%

4000K | Rf: 87.6 | Rg: 96.8

Color Vector Graphic



■ Test ■ Reference

HUE BIN	Rf	GRAPHIC SHIFTS %	
		CHROMA	HUE
1	88.9	-2.4%	2.5%
2	93.3	-0.4%	0.8%
3	94.8	-1.0%	-0.6%
4	87.9	-4.9%	-3.6%
5	85.3	-9.4%	-2.6%
6	90.2	-6.0%	0.2%
7	85.3	-7.6%	4.6%
8	83.7	-4.1%	8.2%
9	79.5	-1.1%	13.8%
10	78.6	1.5%	12.1%
11	83.5	6.4%	7.8%
12	90.9	3.6%	-1.1%
13	88.3	1.7%	-6.3%
14	91.9	-0.4%	-2.2%
15	84.5	-0.9%	-5.5%
16	84.7	-1.1%	-4.4%

PROJECT	FIXTURE TYPE	DATE
---------	--------------	------

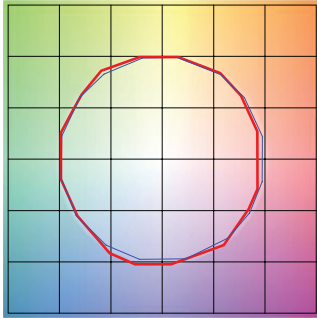
SUSPENSION TM30 DATA

24VDC, REMOTE POWER, END FEED, STATIC WHITE AND WARM DIM

TM-30-15 DATA: The data below is for bare LED Warm Dim Strip. Consistent color temperatures throughout a single strip and among multiple strips is possible through a 3 phase binning process in which each order is inspected with a color meter to ensure uniformity.

2700D | Rf: 90.7 | Rg: 101.1

Color Vector Graphic

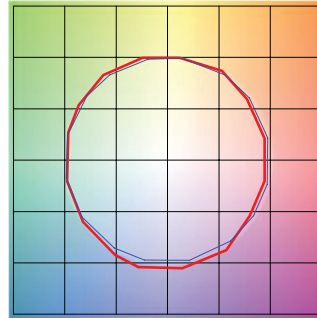


■ Test ■ Reference

HUE BIN	Rf	GRAPHIC SHIFTS %	
		CHROMA	HUE
1	90.9	-4.1%	1.1%
2	91.8	-2.2%	3.2%
3	89.0	0.2%	5.0%
4	92.9	-1.1%	0.8%
5	93.9	1.1%	1.7%
6	93.3	3.3%	0.0%
7	93.1	-0.5%	-1.9%
8	97.2	-0.3%	-0.9%
9	93.4	-1.0%	3.2%
10	89.9	-0.1%	5.6%
11	87.0	4.7%	7.2%
12	89.2	5.8%	-0.2%
13	89.1	3.5%	-6.7%
14	86.3	4.1%	-9.2%
15	91.4	-2.0%	-3.6%
16	84.7	-2.1%	-10.3%

3000D | Rf: 90.6 | Rg: 101.1

Color Vector Graphic



■ Test ■ Reference

HUE BIN	Rf	GRAPHIC SHIFTS %	
		CHROMA	HUE
1	91.5	-3.5%	1.3%
2	92.2	-1.8%	3.0%
3	89.3	0.5%	4.8%
4	92.7	-1.1%	0.6%
5	93.3	0.5%	1.4%
6	93.8	2.7%	-0.8%
7	91.2	-2.1%	-0.2%
8	97.0	-0.5%	-0.7%
9	92.5	-0.7%	3.8%
10	88.3	0.9%	7.1%
11	87.5	3.9%	7.6%
12	88.2	6.2%	-0.2%
13	89.9	3.4%	-6.0%
14	86.9	4.4%	-8.5%
15	91.9	-1.9%	-2.9%
16	84.7	-1.3%	-10.6%

PROJECT		FIXTURE TYPE		DATE	
---------	--	--------------	--	------	--