



FAST JACK 24 VOLT MULTI PORT CANOPIES

24VDC, REMOTE POWER



DESIGNED BY GREGORY KAY | ASSEMBLED IN AMERICA

REV 05.30.24

DESCRIPTION

Our Multi Port Canopies give you the ability to mix & match with any PureEdge Lighting 24V Fast Jack heads and pendants. The canopies mount to a standard 4" junction box with plaster ring, or to an octagon box. 24VDC remote power supplies are required and sold separately. LED dimming range varies: reference corresponding fixture specification sheet, at www.pureedgelighting.com for dimming details.

APPLICATIONS

Designed for Indoor Use Only. Ideal Applications include commercial, architectural, retail and residential spaces including offices, conference rooms, entrance halls, lobbies, Kitchens, Dining Rooms and more.

REMOTE POWER SUPPLIES (SOLD SEPARATELY)*

24VDC, Class 2 wiring

- [Uni Trim Power Supply](#) Universal Dimming (TRIAC, ELV, 0-10V) ELV & TRIAC [Smart Dimmer & Switch](#)

WARRANTY / LABELS

Pro-rated 5 year warranty. Assembled in America, ETL.

System	Type	Finish
FJ24	3RRE	BK
FJ24 Fast Jack 24VDC	2RRE 2-Port 12" Rectangular Canopy 3RRE 3-Port 12" Rectangular Canopy 3R8R 3-Port 8" Round Canopy 26RE-2 2-Port 26" Rectangular Canopy 16RD-5 5-Port 16" Round Canopy*	BK Black Powder Coat SN Satin Nickel WH White Powder Coat

*Limited Quantities available: call for availability



2RRE



3RRE



3R8R

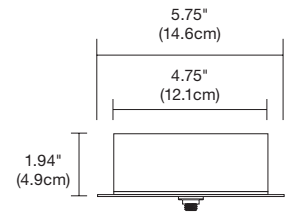
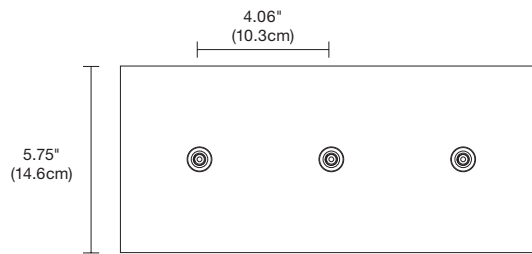
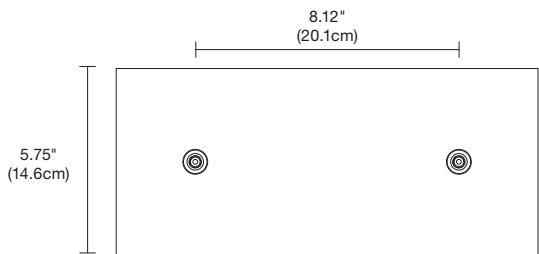
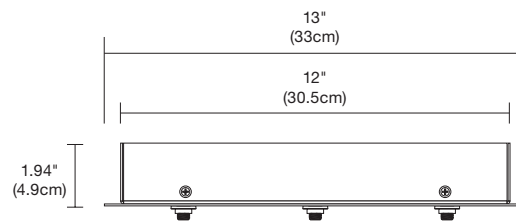
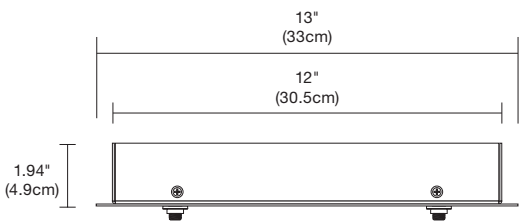
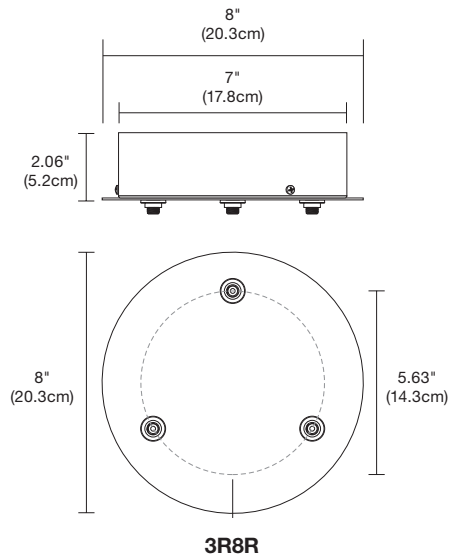


26RE-2



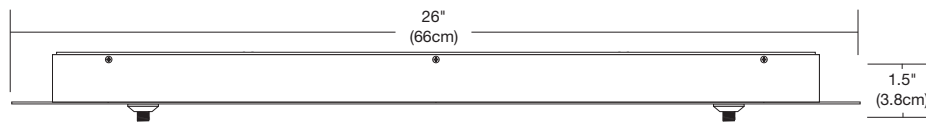
16RD-5

PROJECT		FIXTURE TYPE		DATE	
---------	--	--------------	--	------	--

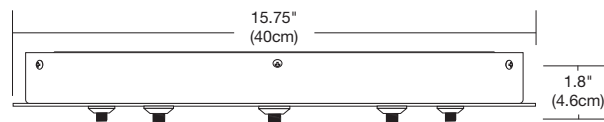


2RRE

3RRE



26RE-2



16RD-5

PROJECT		FIXTURE TYPE		DATE	
---------	--	--------------	--	------	--

UNIVERSAL POWER SUPPLIES WITH TRIM

24VDC, UNIVERSAL DIMMING (ELV, TRIAC, 0-10V) STATIC WHITE & WARM DIM FOR TRACK HEADS



DESCRIPTION

The Uni TRIM Power Supply is designed for 24 Volt Track Heads, accepts input voltage in a range of 120 - 277VAC and outputs 24VDC power up to 96 watts. Can be used as a dimmable or non-dim Power Supply. Dims down 7% with an ELV dimmer or a 0-10 volt dimmer when two additional wires are connected to the dimmer. The enclosure provides a space inside for electrical connections. Power Supply features short circuit and overload and over temperature protection. Indoor applications only. For custom quotes and layout assistance, send your drawings and ideas to our design team: design@PureEdgeLighting.com.

MOUNTING

Surface mounted with conduit access

COMPATIBILITY

Compatible with PureEdge 24VDC Track heads (T24, T24M), Vanishing Point and Mono-point/Multi-point heads (FJ24, VR, V2MR, MR2R, M44R, 2RRE, 3R8R).

POWER INPUT

120-277 volts AC, 50/60Hz

POWER OUTPUT

Class 2; 24 volts DC 4A, 96 watts maximum

EFFICIENCY

85%

AMBIENT OPERATING TEMPERATURE

-25C to 40C

ELV DIMMER TYPE

Legrand: Adorne ADTP703TU
Lutron: Diva DVELV-300P, Skylark SELV-300P, Maestro MAELV-600 and Radio RA 2

MAKE IT SMART

ELV & TRIAC [Smart Dimmer & Switch](#)

0-10 DIMMER TYPE

Lutron: Radio RA2 (with GRX-TVI), Grafik Eye Qs (with GRX-TVI), Diva (with PP20); Nova T
Philips: Sunrise SR1200ZTUNV
Leviton: IP710-DL

DIMMING CURVE

Linear, Logarithmic 100% - 7% (HydraDrive)

APPLICATIONS: Indoor

To avoid overheating the power supply, install it in a ventilated remote location where air flows. Maintain proper spacing among power supplies when multiple power supplies are installed in the same remote location.




Product	Wattage	Dimming	Voltage	Type	Options
PSB	96W	UNI	24VDC	T	STANDARD (Leave Blank)
PSB Power Supply with Enclosure Box	40W 40 Watt 60W 60 Watt 96W 96 Watt 2X40W 2x40 Watt 2X60W 2x60 Watt 2X96W 2x96 Watt	UNI Universal Power Supply	24VDC 24 Volt DC	T Trim	TB T-Bar CP Chicago Plenum

PROJECT		FIXTURE TYPE		DATE	
---------	--	--------------	--	------	--




UNIVERSAL POWER SUPPLIES WITH TRIM

24VDC, UNIVERSAL DIMMING (ELV, TRIAC, 0-10V) STATIC WHITE & WARM DIM FOR TRACK HEADS

UNIVERSAL POWER SUPPLIES & RECOMMENDED DIMMERS

	PSB-40W-UNI-24VDC-T	PSB-60W-UNI-24VDC-T	PSB-96W-UNI-24VDC-T
ORDERING CODE			
SPECIFICATIONS			
MAXIMUM LOAD	40W	60W	96W
INPUT VOLTAGE	120-277VAC	120-277VAC	120-277VAC
OUTPUT VOLTAGE	24VDC	24VDC	24VDC
DIMENSIONS	15.65" X 6.37" X 3.43"	15.65" X 6.37" X 3.43"	15.65" X 6.37" X 3.43"
CLASSIFICATION	CLASS 2	CLASS 2	CLASS 2
T-BAR MOUNTING	PSB-40W-UNI-24VDC-T-TB	PSB-60W-UNI-24VDC-T-TB	PSB-96W-UNI-24VDC-T-TB
T-BAR CHICAGO PLENUM	PSB-40W-UNI-24VDC-T-CP	PSB-60W-UNI-24VDC-T-CP	PSB-96W-UNI-24VDC-T-CP

UNIVERSAL POWER SUPPLIES & RECOMMENDED DIMMERS

	PSB-2X40W-UNI-24VDC-T	PSB-2X60W-UNI-24VDC-T	PSB-2X96W-UNI-24VDC-T
ORDERING CODE			
SPECIFICATIONS			
MAXIMUM LOAD	2X40W	2X60W	2X96W
INPUT VOLTAGE	120-277VAC	120-277VAC	120-277VAC
OUTPUT VOLTAGE	24VDC	24VDC	24VDC
DIMENSIONS	15.4" X 9.73" X 3.43"	15.4" X 9.73" X 3.43"	15.4" X 9.73" X 3.43"
CLASSIFICATION	CLASS 2	CLASS 2	CLASS 2
T-BAR MOUNTING	PSB-2X40W-UNI-24VDC-T-TB	PSB-2X60W-UNI-24VDC-T-TB	PSB-2X96W-UNI-24VDC-T-TB
T-BAR CHICAGO PLENUM	PSB-2X40W-UNI-24VDC-T-CP	PSB-2X60W-UNI-24VDC-T-CP	PSB-2X96W-UNI-24VDC-T-CP

ELV DIMMING & CONTROLS

LUTRON DIVA: DVELV-300P	•	•	•
LUTRON SKYLARK: SELV-300P	•	•	•
LUTRON RADIO RA3: RR-PROC3-XX	•	•	•
LUTRON MAESTRO: MAELV-600	•	•	•
LEGRAND ADORNE: ADTP-703TUM4	•	•	•

0-10 DIMMING & CONTROLS

PHILIPS SUNRISE: SR1200ZTUNV	•	•	•
LUTRON DIVA: DVTV-WH, DVSTV-WH	•	•	•
LUTRON NOVA T: NTSTV-DV-XX	•	•	•
LUTRON GRAFIX EYE QS: QSGRJ-XP	•	•	•
LUTRON RADIO RA3: RR-PROC3-XX	•	•	•
LEVITON: LEV40050	•	•	•
LEVITON IP710-LFZ	•	•	•
LEGRAND: ADPD4FBL3P2W4	•	•	•
LEGRAND RADIANT: RH703PTUW	•	•	•

TRIAC DIMMING & CONTROLS

LUTRON SKYLARK: S2-L-WH	•	•	•
LUTRON DIVA DVLV-600P-WH	•	•	•
LUTRON DIVA DVLV-603P-WH	•	•	•
LUTRON MAESTRO MALV-600-WH	•	•	•
LUTRON MAESTRO MALV-1000-WH	•	•	•
LUTRON MAESTRO MA-R-XX	•	•	•
PURE SMART DIMMER AND SWITCH	•	•	•

- Flicker free dimming
- Aluminum casing for optimal heat dissipation
- Isolated output power per e and UL safety requirements
- UL & ETL recognized/ listed, meets UL 8750, 1310 requirements
- Auto-reset; short circuit, overload and thermal protection
- Class 2 power supply
- Efficient, High power factor > 0.90

- The Solid State Constant Voltage Uni-Power Supply is compatible with most commercially available Dimmers:
 - Triac Dimmer: (Forward Phase) Typically used for the dimming of Incandescent and Low Voltage Magnetic Transformers
 - ELV Dimmer: (Reverse Phase) Dimming of Electronic Low Voltage Transformers and Power Supplies used for LED lighting
 - 0-10 Dimmer : Dims the Low Voltage side of a 0-10 volt power supply commonly used in large scale lighting or commercial applications.
- The Uni-Power Supply is recommended with any Siemens/Murray brand of arc fault breaker to overcome the issues with tripping the breakers with ELV Low Voltage Drivers.

*Title 24 with JA8 listed PureEdge products and systems

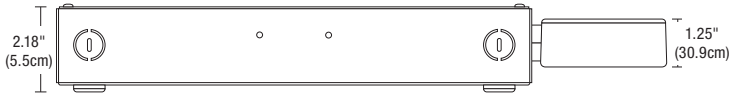
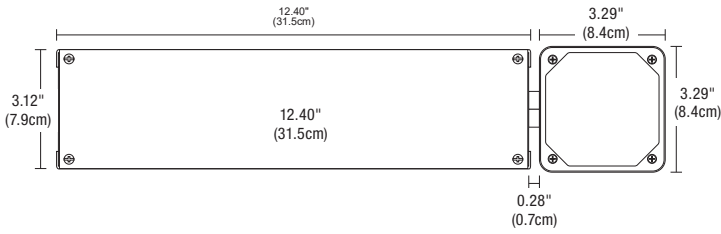
PROJECT		FIXTURE TYPE		DATE	
---------	--	--------------	--	------	--

UNIVERSAL POWER SUPPLIES WITH TRIM

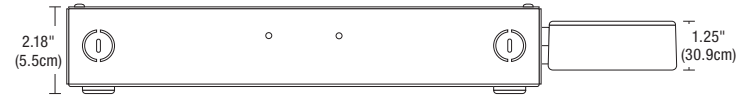
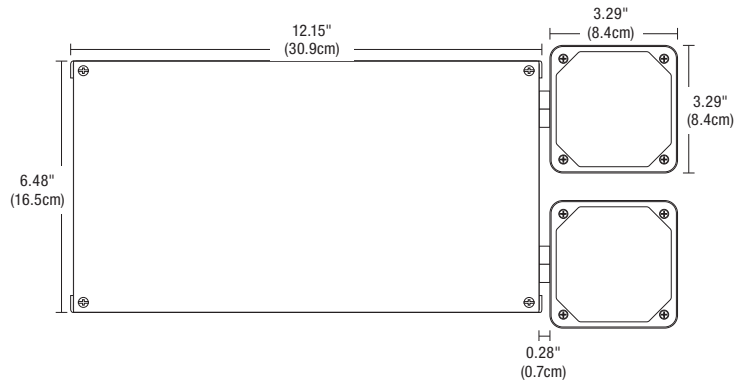
24VDC, UNIVERSAL DIMMING (ELV, TRIAC, 0-10V) STATIC WHITE & WARM DIM FOR TRACK HEADS

POWER SUPPLY DIMENSIONS & DIAGRAMS

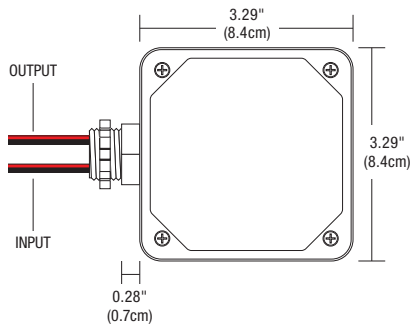
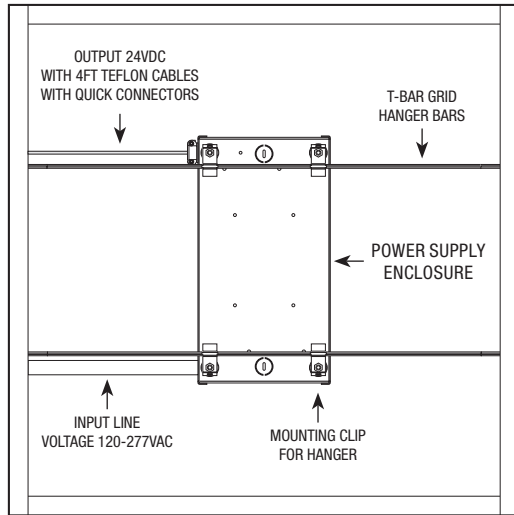
40W, 60W, 96W



2X40W, 2X60W, 2X96W



T-BAR GRID CEILING



VOLTAGE TRIM BOX

Voltage Trim Box is included with power supply. Mounts in 1/2" knock-outs. The part number below is to be used for replacement only.

Product	Voltage	Type
PSB	24VDC	TRIM
PSB Power Supply with Enclosure Box	24VDC 24 Volt DC	TRIM Voltage Trim Box

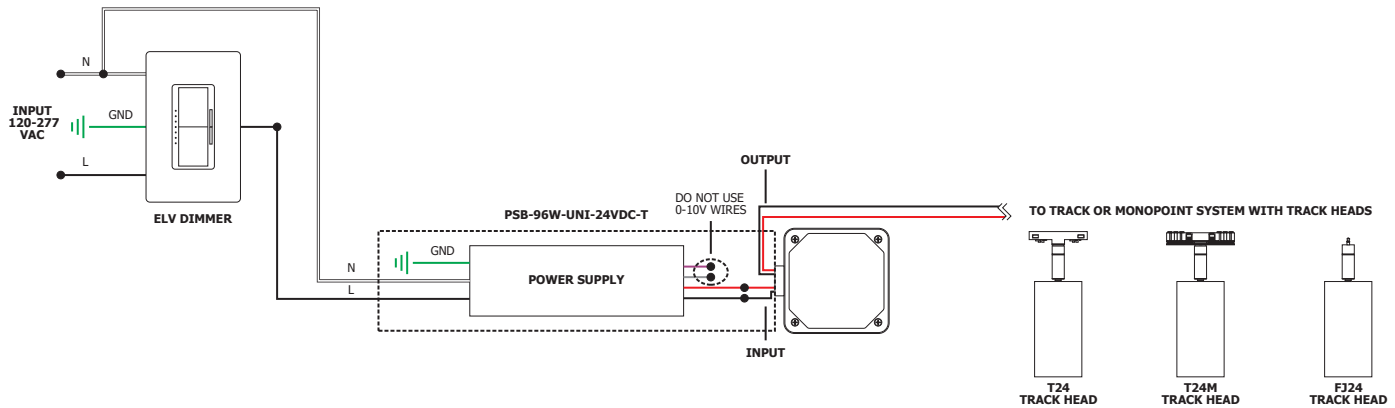
PROJECT		FIXTURE TYPE		DATE	
---------	--	--------------	--	------	--

UNIVERSAL POWER SUPPLIES WITH TRIM

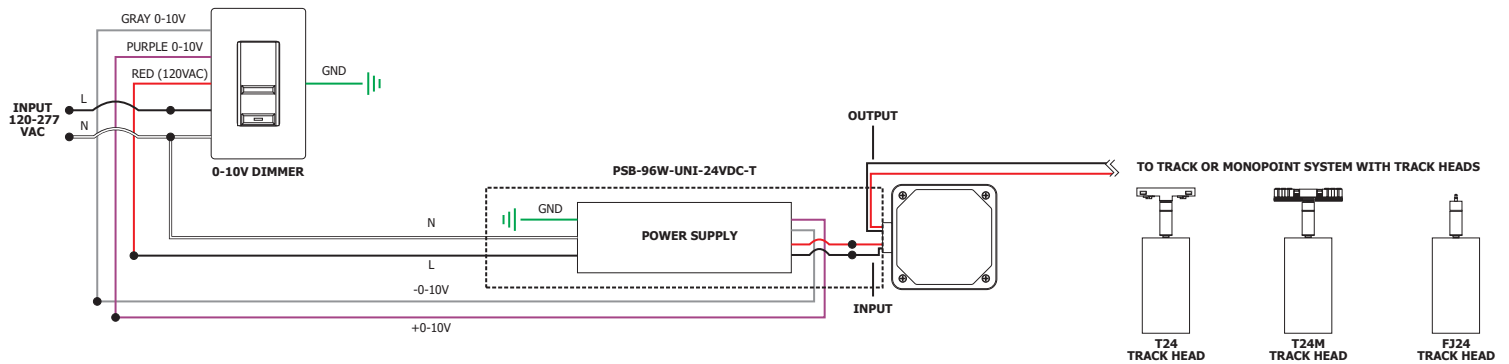
24VDC, UNIVERSAL DIMMING (ELV, TRIAC, 0-10V) STATIC WHITE & WARM DIM FOR TRACK HEADS

REV 05.30.24

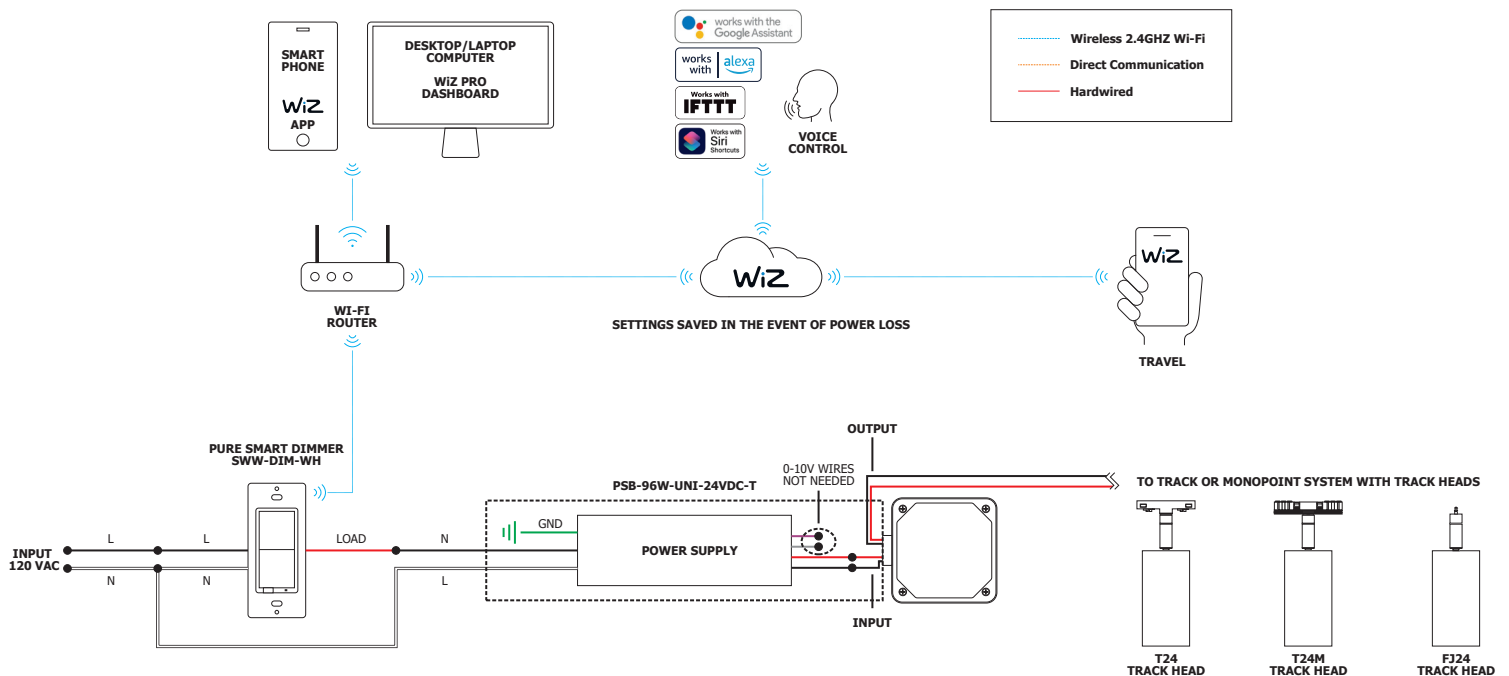
ELV WIRING DIAGRAM



0-10V WIRING DIAGRAM



SMART WIRING DIAGRAM & NETWORK TOPOGRAPHY



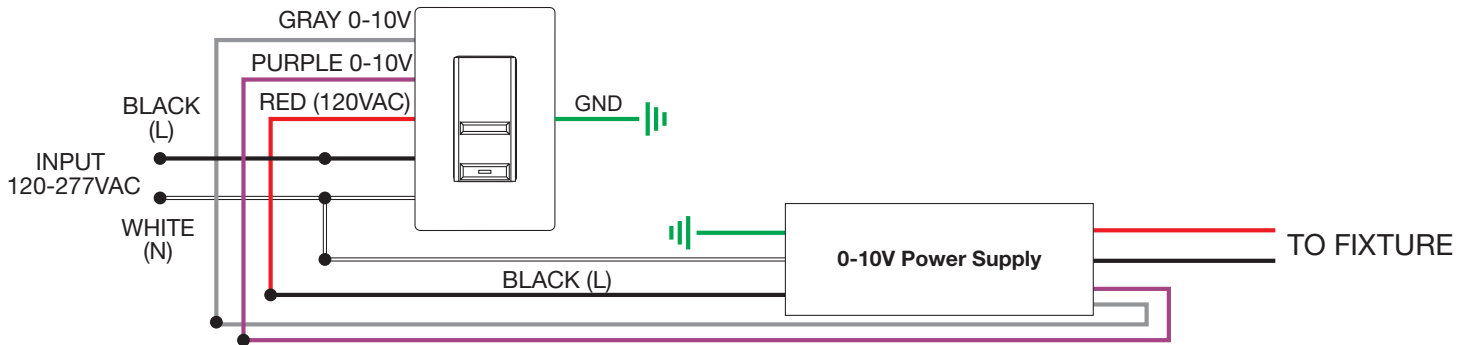
PROJECT		FIXTURE TYPE		DATE	
---------	--	--------------	--	------	--

SAMPLE WIRING DIAGRAMS 24VDC 010

Application: 0-10V Dimming Applications For Static White and Warm Dim

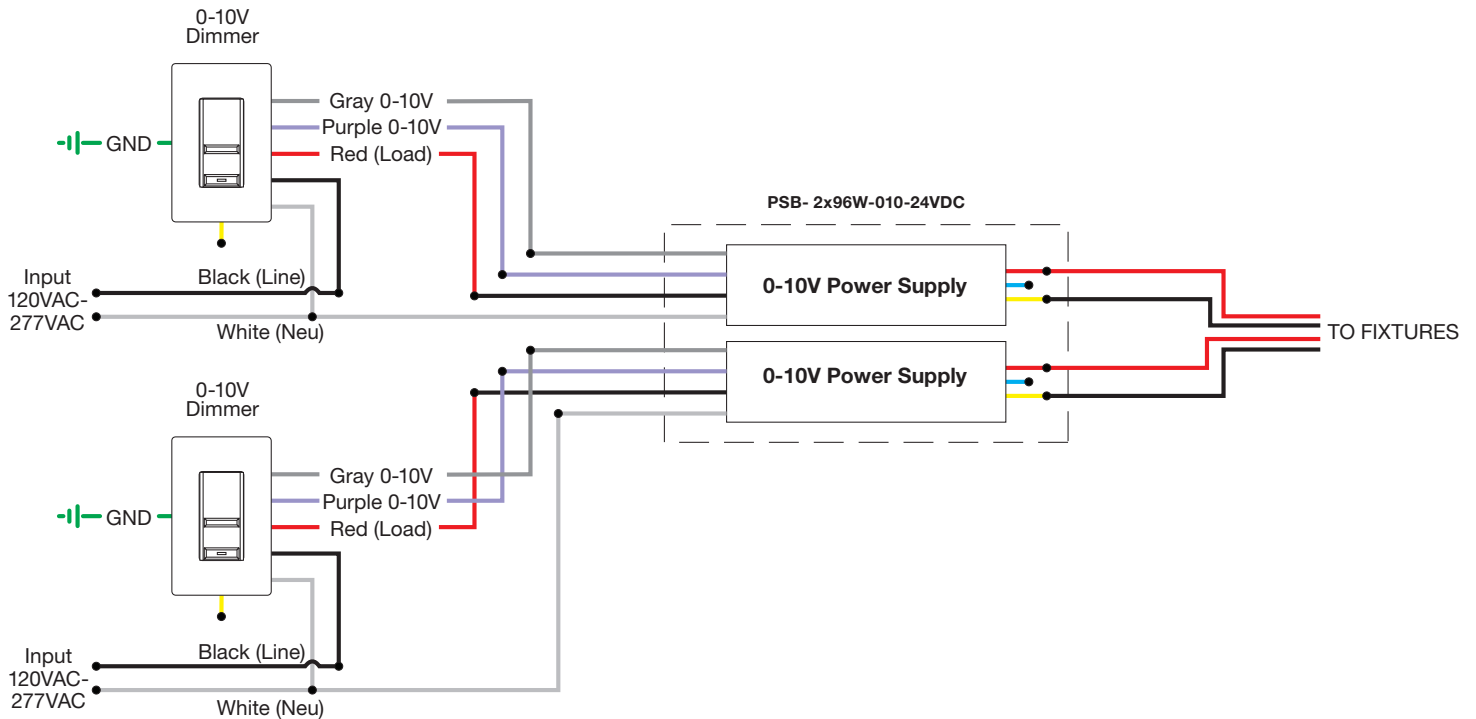
Dimming: Dimmable with 0-10V dimmers: Signify (Phillips) Sunrise: SR1200ZTUNV, Leviton Dimmers: LEV40050, IP710-LFZ, *IP710-DLZ *(Built in LED locator light) Legrand Dimmer: ADPD4FBL3P2W4 Lutron Systems: Lutron GRAFIX Eye QS Main Unit (with DRX-TVI) Radio Ra2 (with GRX-TVI)

0-10V DIMMER



Application: Dual 0-10V dimming for Static White

Dimming: Dimmable with Dual 0-10V dimmers: Signify (Phillips) Sunrise: SR1200ZTUNV, Leviton Dimmers: LEV40050, IP710-LFZ, *IP710-DLZ *(Built in LED locator light), Legrand Dimmer: ADPD4FBL3P2W4, Lutron Systems: Lutron GRAFIX Eye QS Main Unit (with DRX-TVI) Radio Ra2 (with GRX-TVI)

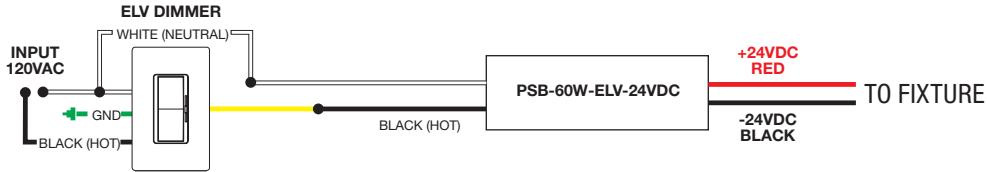


PROJECT	FIXTURE TYPE	DATE
---------	--------------	------

SAMPLE WIRING DIAGRAMS 24VDC ELV

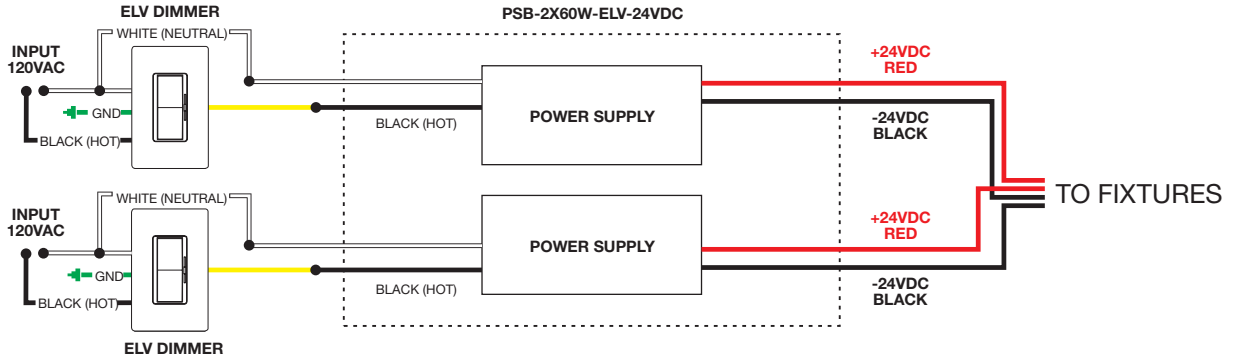
Application: ELV dimming for Static White

Dimming: Dimmable with ELV dimmer: Legrand, Adorne ADTP703TU; Lutron: Diva DVELV-300P, Skylark SELV-300P, Maestro MAELV-600 and Radio Ra 2



Application: Dual ELV dimming for Static White

Dimming: Dimmable with ELV dimmer: Legrand, Adorne ADTP703TU; Lutron: Diva DVELV-300P, Skylark SELV-300P, Maestro MAELV-600 and Radio Ra 2



PROJECT		FIXTURE TYPE		DATE	
---------	--	--------------	--	------	--