



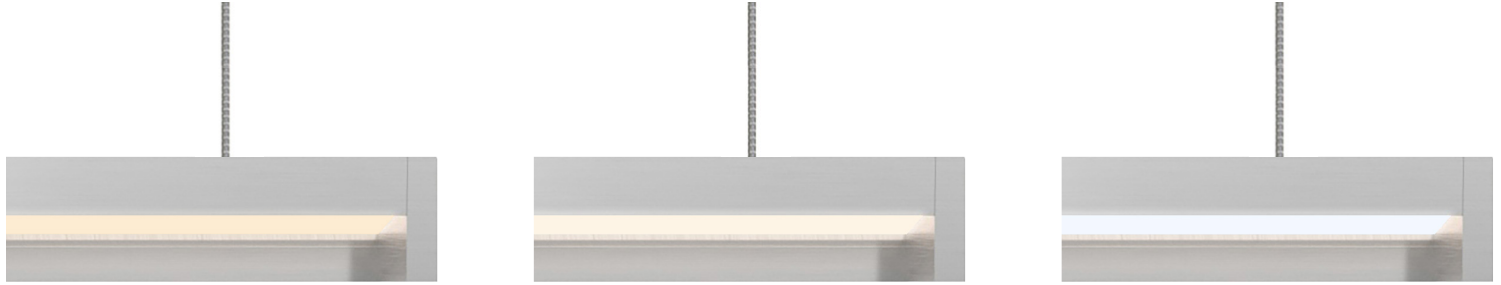
CIRRUS SUSPENSION WALL WASH WITH GLARE SHIELD

END FEED WITH REMOTE POWER, TUNABLE WHITE



DESIGNED BY GREGORY KAY | ASSEMBLED IN AMERICA | PATENT PENDING

REV 08.17.21



2000K

3000K

6500K

DESCRIPTION

The New Generation of our Cirrus Suspension Wall Wash with Shield is precision-engineered to block glare and illuminate vertical surfaces from the top of the ceiling to the floor at a 3.3:1 ratio. Available in 5, 7 or 10 watts per foot, with designer-grade 95+ CRI LEDs rendering art and colors in their truest forms. Tunable White 2000K-6500K (**2K6K**) or 2700K-6500K (**27K6**) grants independent control and adjustment of color temperature and intensity from 2000K (Sunset) through 6500K (Day Light White). 2K6K is ideal for residential spaces including, dining rooms, bedrooms, living spaces, and bathrooms by allowing the user to achieve a warm glow during the golden hours of the early mornings and evenings. For commercial environments, 27K6 promotes focus and alertness which is ideal for offices, healthcare and education, while still achieving warmer color temperatures best for hospitality and retail environments. Human-Centric lighting, or tunable white, promotes performance, mood, and overall well-being by fine-tuning the emotional effects that light has on the circadian cycle. Ordered in various increments, from 12"-240". Lengths greater than 240" or making 90° turns contact us for a custom quotation. Includes adjustable 12' coaxial cables (additional aircraft cables included for support when fixture exceeds 96") Fixtures include a 5 year pro-rated warranty. For custom designs and quotes, email our design team: design@PureEdgeLighting.com.

Wattages for this fixture are available in the following options:

- 5W - 4.4 watts per foot, lengths up to 240" (20')
- 7W - 7.3 watts per foot, lengths up to 144" (12')
- 10W - 9.6 watts per foot, lengths up to 120" (10')

FINISHES



Satin Black **BK** Antique Bronze **BZ** Satin Nickel **SN** White **WH**

LENS

Diffused asymmetric wall wash lens for a smooth and uniform beam spread

LAMPING

- Power Consumed: 5,7 and 10 watts per foot
- 50,000 Hour Lamp Life
- Tunable White: 2000K-6500K (2K6K) or 2700K-6500K (27K6) grants Independent control for adjusting color temperature and intensity

REMOTE POWER SUPPLIES*, DIMMERS & CONTROLS (SOLD SEPARATELY)

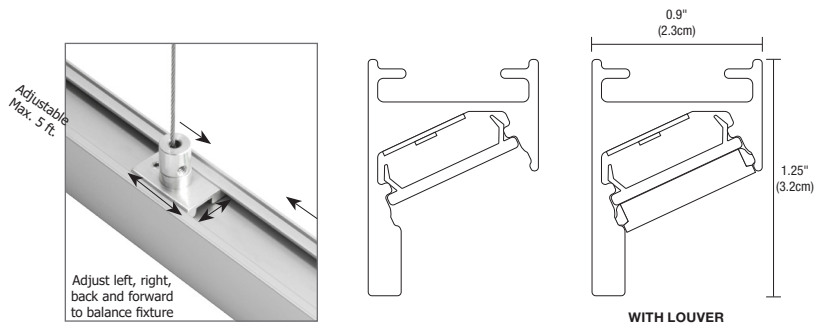
- 24VDC, Class 2 wiring
 - 0-10V: Requires two dimmers, one for intensity and one for kelvin color temperature
 - DMX: Dynamic Color Changing use our proprietary Tunable White Controller CDMX-2XK
- *In-Wall Mounting and drop ceiling Kits available for select power supplies

APPLICATIONS

Designed for indoor or damp location. Ideal environments include: Conference rooms, offices, architectural and retail & residential

APPROVALS

Class 2 Wiring up to 100 watts, Damp Location Suitable, ETL listed, Made in America



System	Wattage Per Foot	Canopy	Nominal Size	Color Temperature	Finish
CSWSHL	7W	2R	240	2K6K	SN
CSWSHL Cirrus Suspension Wall Wash with Glare Shield Left Remote Power Feed	5W 4.4 Watts (240" max, 20') 7W 7.3 Watts (144" max, 12')	2R 2.8" Round Canopy 2S 2.8" Square Canopy 4R 4.6" Round Canopy 4S 4.6" Square Canopy VRD Vanishing Point Dual Feed	12-240 Order in various increments from 12" to 240"	2K6K Tunable White 2000K-6500K 27K6 Tunable White 2700K-6500K	BK Satin Black BZ Antique Bronze SN Satin Nickel WH White XX Custom Finish
CSWSHR Cirrus Suspension Wall Wash with Glare Shield Right Remote Power Feed	10W 9.6 Watts (120" max, 10')				
CSWSHWL Cirrus Ceiling with Glare Shield Wall Wash with White Louver, Left Remote Power Feed					
CSWSHWR Cirrus Ceiling with Glare Shield Wall Wash with White Louver, Right Remote Power Feed					
CSWSHBL Cirrus with Glare Shield Wall Wash with Black Louver, Left Remote Power Feed					
CSWSHBR Cirrus with Glare Shield Wall Wash with Black Louver, Right Remote Power Feed					

* Maximum shipping length is 120", 84" for chrome. See length chart for exact dimensions

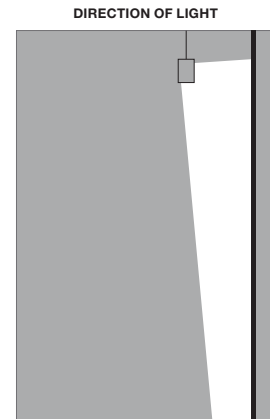
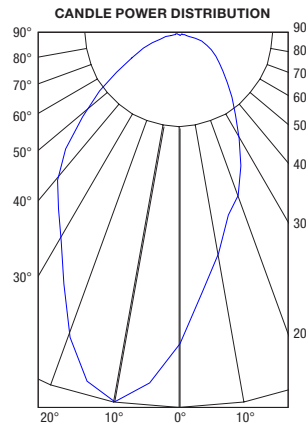
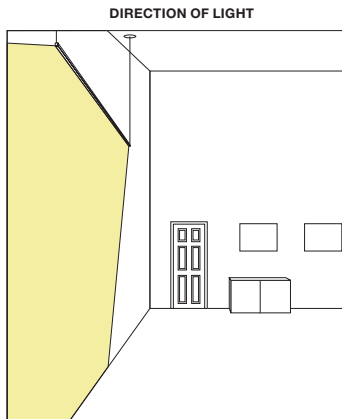
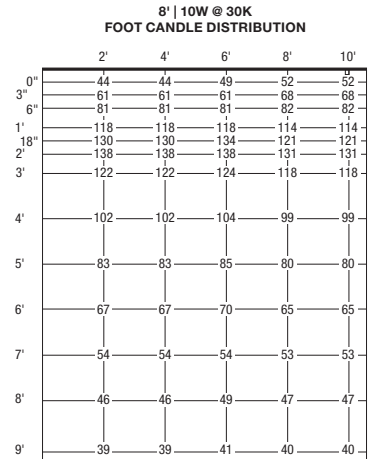
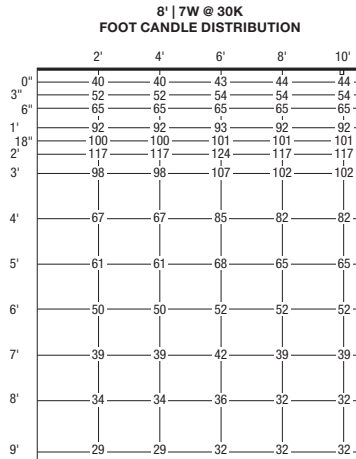
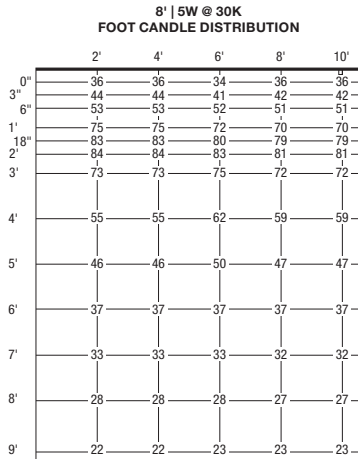
PROJECT	FIXTURE TYPE	DATE
---------	--------------	------

NOMINAL LAMP DATA: Lamp data Cirrus Suspension Wall Wash with Glare Shield

DESCRIPTION	CSWSH															
	CIRRUS WALL WASH LENS															
WATTS PER FOOT	2K6K 5W (4.4 watts)								27K6 5w (4.4 watts)							
COLOR TEMPERATURE	20K	22K	24K	27K	30K	35K	40K	57K	65K	27K	30K	35K	40K	45K	57K	65K
LUMENS PER FOOT (lm/ft)	258	271	284	298	325	338	351	334	324	323	332	342	352	338	334	324
LUMENS PER WATT (lm/w)	64	59	62	65	71	74	88	84	82	81	83	83	82	82	84	82
CRI	83+	83+	92+	92+	92+	94+	94+	93+	93+	93+	93+	94+	94+	94+	93+	93+

DESCRIPTION	CSWSH															
	CIRRUS WALL WASH LENS															
WATTS PER FOOT	2K6K 7W (7.3 watts)								27K6 7W (7.3 watts)							
COLOR TEMPERATURE	20K	22K	24K	27K	30K	35K	40K	57K	65K	27K	30K	35K	40K	45K	57K	65K
LUMENS PER FOOT (lm/ft)	354	383	413	465	492	506	475	485	470	468	473	496	510	491	485	470
LUMENS PER WATT (lm/w)	48.4	52.4	56.5	63.6	67.3	69.3	65	66.4	64.3	64.1	64.7	67.9	69.8	67.2	66.4	64.3
CRI	83+	83+	92+	92+	92+	94+	94+	93+	93+	93+	93+	94+	94+	94+	93+	93+

DESCRIPTION	CSWSH															
	CIRRUS WALL WASH LENS															
WATTS PER FOOT	2K6K 10W (9.6 watts)								27K6 10W (9.6 watts)							
COLOR TEMPERATURE	20K	22K	24K	27K	30K	35K	40K	57K	65K	27K	30K	35K	40K	45K	57K	65K
LUMENS PER FOOT (lm/ft)	450	495	541	632	658	673	598	635	615	613	631	649	668	643	635	615
LUMENS PER WATT (lm/w)	56	59	61	66	71	73	75	69	77	77	69	71	73	70	69	77
CRI	83+	83+	92+	92+	92+	94+	94+	93+	93+	93+	93+	94+	94+	94+	93+	93+



PROJECT	FIXTURE TYPE	DATE
---------	--------------	------



CIRRUS SUSPENSION WALL WASH WITH GLARE SHIELD

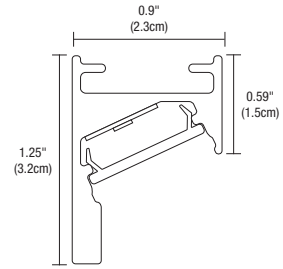
END FEED WITH REMOTE POWER, TUNABLE WHITE



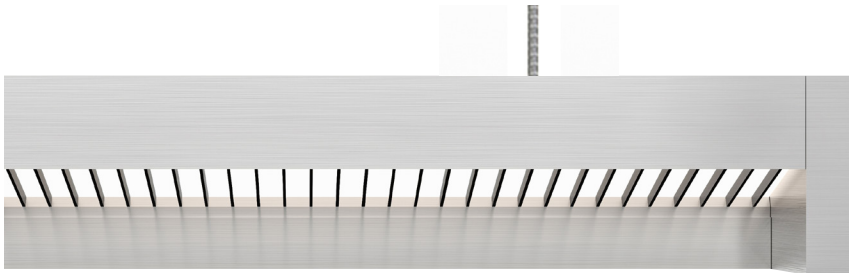
REV 08.17.21



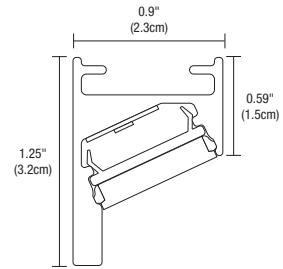
CIRRUS SUSPENSION WALL WASH WITH GLARE SHIELD



CIRRUS SUSPENSION WALL WASH WITH GLARE SHIELD



CIRRUS SUSPENSION WALL WASH WITH GLARE SHIELD AND BLACK LOUVER



CIRRUS SUSPENSION WALL WASH WITH GLARE SHIELD AND LOUVER

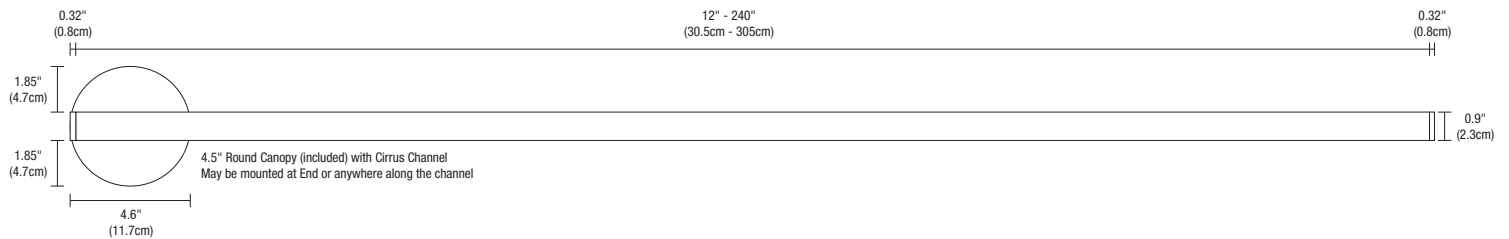


CIRRUS SUSPENSION WALL WASH WITH GLARE SHIELD



CIRRUS SUSPENSION WALL WASH WITH GLARE SHIELD AND WHITE LOUVER

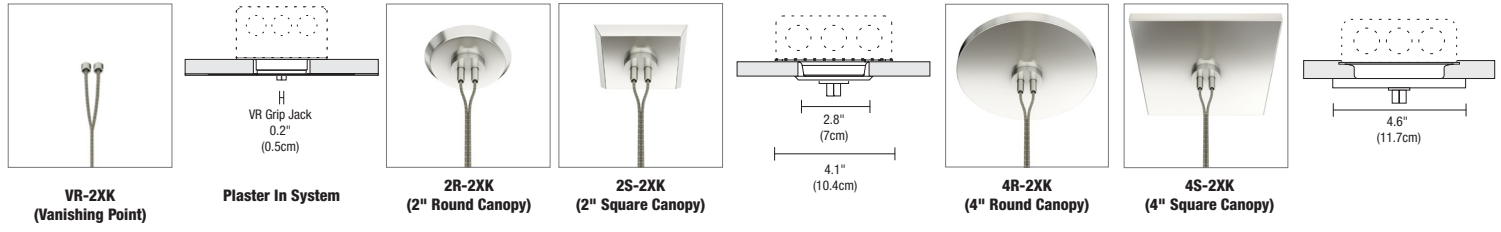
DRAWINGS Canopy & Channel drawings for the Cirrus Suspension Wall Wash



PROJECT	FIXTURE TYPE	DATE

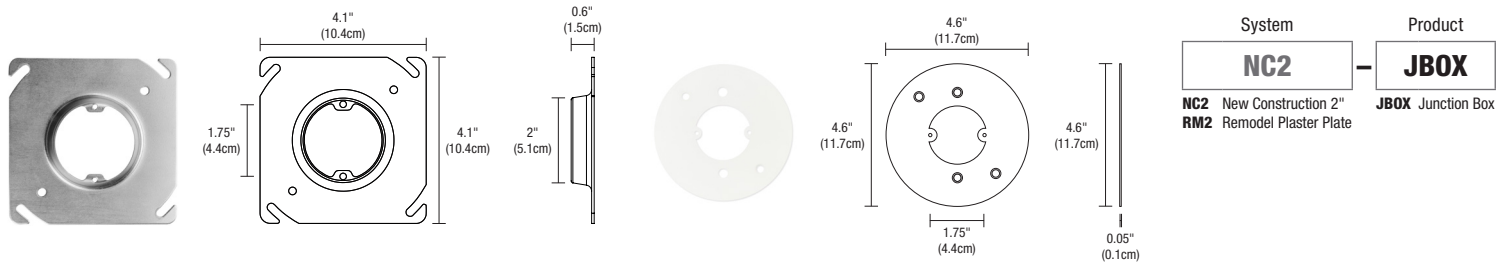
REMOTE POWER CANOPIES

The 2" Round and Square canopies include a NC2-JBOX junction box cover. The 4" canopies mount to a standard 4" junction box. Vanishing point is the only truly trimless and flush design available on the market with cables that disappear into the ceiling. Refer to the [Vanishing Point specification](#) for details and requirements including millwork options.

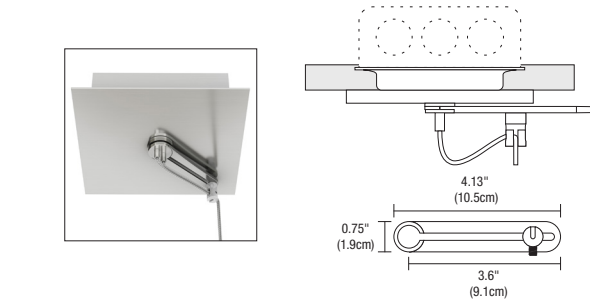


NEW CONSTRUCTION & REMODEL 2" COVER FOR 4" SQUARE JUNCTION BOX

The New Construction NC2-JBOX cover is included with the 2" round and square canopies and is not required for the 4" square canopies. The NC2 cover mounts to a standard 4" junction or octagon box accommodating the 2" Plaster Ring for use with the 2R and 2S canopies. The Remodel RM2-JBOX plaster plate cover can be used with an existing 4" square junction box. The PS-60L-ELV-24VDC (50 Watt IC, 60 Watt Non-IC) fits within the junction box for a seamless aesthetic.

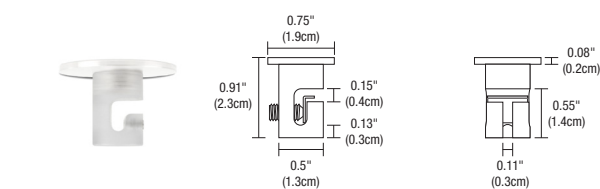
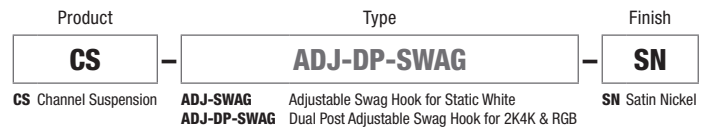


ACCESSORIES Additional components may be required based on lighting design and application.



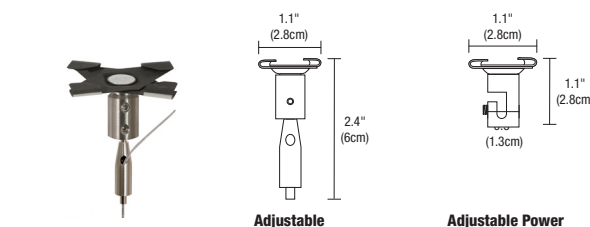
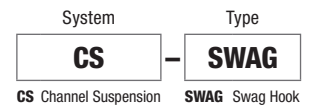
CHANNEL SUSPENSION ADJUSTABLE SWAG BAR AND HOOK

Channel Suspension Adjustable Swag Bar and Hook allows a cable to form a straight connection to the channel when the Power Canopy is not located directly above the fixture. Use when you have two or more canopies (power supplies) on the same fixture run. The Adjustable Swag Hook is compatible with the 2R, 2S, 4R and 4S Power Canopies (Canopy not included).



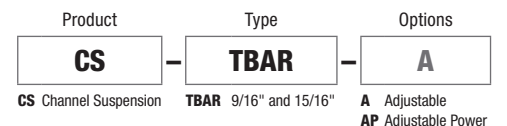
CHANNEL SUSPENSION SWAG HOOK

The clear plastic Swag Hook extends a cable from an electrical box that is not located directly above desired fixture location.



CHANNEL SUSPENSION ADJUSTABLE T-BAR CLIP

Channel Suspension Adjustable T-Bar Clip mounts to T-Bar grid ceilings. Adjustable is offered in Satin Nickel, Clear plastic for Adjustable Power.



PROJECT	FIXTURE TYPE	DATE
---------	--------------	------



CIRRUS SUSPENSION WALL WASH WITH GLARE SHIELD

END FEED WITH REMOTE POWER, TUNABLE WHITE



REV 08.17.21

Length Chart: Actual lengths for Cirrus Suspension Wall Wash

TUNABLE WHITE								
Ordering Code (Nominal Size)	Actual Length (Inches)	Actual Length (Chrome)	Ordering Code (Nominal Size)	Actual Length (Inches)	Actual Length (Chrome)	Ordering Code (Nominal Size)	Actual Length (Inches)	Actual Length (Chrome)
12	13.0	13.0	89	89.8	90.2	166	167.0	167.0
15	15.4	15.4	92	92.2	92.6	168	169.4	169.4
17	17.8	17.8	94	94.6	95.0	171	171.8	172.2
20	20.2	20.2	96	97.0	97.4	173	174.2	174.6
22	22.6	22.6	99	99.4	99.8	176	176.6	177.0
24	25.0	25.0	101	101.8	102.2	178	179.0	179.4
27	27.4	27.4	104	104.2	104.6	180	181.4	181.8
29	29.8	29.8	106	106.6	107.0	183	183.8	184.2
32	32.2	32.2	108	109.0	109.4	185	186.2	186.6
34	34.6	34.6	111	111.4	111.8	188	188.6	189.0
36	37.0	37.0	113	113.8	114.2	190	191.0	191.4
39	39.4	39.4	116	116.2	116.6	192	193.4	193.8
41	41.8	41.8	118	118.6	119.0	195	195.8	196.2
44	44.2	44.2	120*	121.0	121.4	197	198.2	198.6
46	46.6	46.6	123	123.8	123.8	200	200.6	201.0
48	49.0	49.0	125	126.2	126.2	202	203.0	203.4
51	51.4	51.4	128	128.6	128.6	204	205.4	205.8
53	53.8	53.8	130	131.0	131.0	207	207.8	208.2
56	56.2	56.2	132	133.4	133.4	209	210.2	210.6
58	58.6	58.6	135	135.8	135.8	212	212.6	213.0
60	61.0	61.0	137	138.2	138.2	214	215.0	215.4
63	63.4	63.4	140	140.6	140.6	216	217.4	217.8
65	65.8	65.8	142	143.0	143.0	219	219.8	220.2
68	68.2	68.2	144**	145.4	145.4	221	222.2	222.6
70	70.6	70.6	147	147.8	147.8	224	224.6	225.0
72	73.0	73.0	149	150.2	150.2	226	227.0	227.4
75	75.4	75.4	152	152.6	152.6	228	229.4	229.8
77	77.8	77.8	154	155.0	155.0	231	231.8	232.2
80	80.2	80.2	156	157.4	157.4	233	234.2	234.6
82	82.6	82.6	159	159.8	159.8	236	236.6	237.0
84	85.0	85.0	161	162.2	162.2	238	239.0	239.4
87	87.4	87.8	164	164.6	164.6	240***	241.4	241.8

*Maximum length for 10W **Maximum length for 7W ***Maximum length for 5W

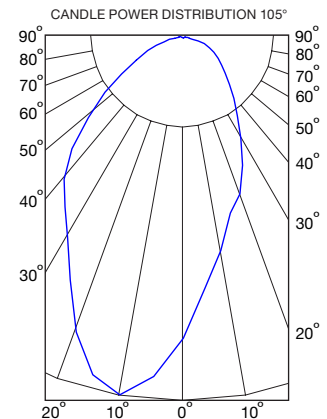
LAMP DATA: 50,000 Hour Lamp Life

VERSION	22K,35K, 40K, 57K		27K, 30K	
	7WDC	10DC	7WDC	10DC
WATTS PER FOOT	7.5W	10W		
LUMENS PER FOOT (lm/ft)	340	387		
LUMENS PER WATT (lm/w)	37	43		
CRI	85+	95+		

Lumen values are based on the 3000K LED test.

7 Watt 100°	
Distance	Foot Candles
1'	200
1.5'	131
2'	96
3'	62
4'	45
5'	33
6'	26
7'	21
8'	18

10 Watt 100°	
Distance	Foot Candles
1'	227
1.5'	148
2'	110
3'	71
4'	51
5'	38
6'	30
7'	23
8'	18



PROJECT	FIXTURE TYPE	DATE
---------	--------------	------

INDOOR TUNABLE WHITE 0-10V 96 WATT LED POWER SUPPLY

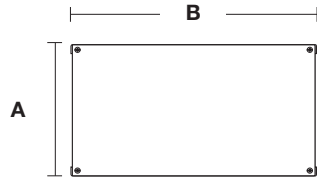
24VDC INDOOR CONSTANT VOLTAGE, TWO CHANNEL CONTROLS, FOR INTENSITY AND COLOR TEMPERATURE

DESIGNED BY GREGORY KAY | ASSEMBLED IN AMERICA

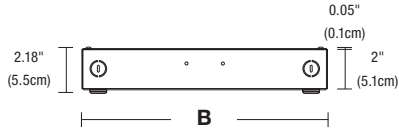
REV 08.17.21



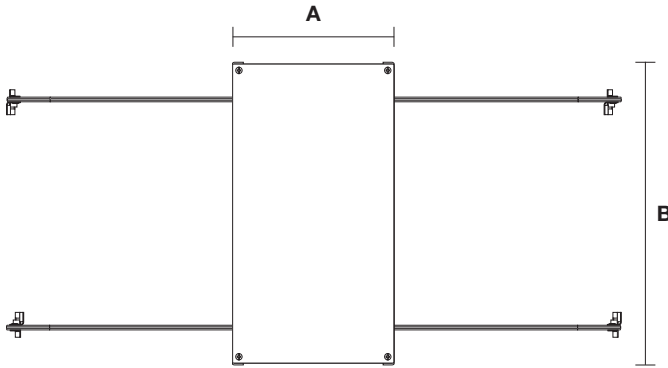
PSB-96W-010-24VDC-2XK



TOP VIEW



SIDE VIEW



PSB-96W-010-24VDC-2XK-TB
(T-BAR GRID CEILING)

STANDARD & T-BAR DIMENSIONS		
	A	B
PSB-96W-010-24VDC-2XK	6.48"	12.15"
PSB-2X96W-010-24VDC-2XK	10"	14"
PSB-3X96W-010-24VDC-2XK	13"	17"
PSB-4X96W-010-24VDC-2XK	13"	17"

DESCRIPTION

Accepts input voltage in a range of 120 - 277VAC and outputs 24VDC power up to 96 watts. The low voltage output dims down to 1% when two additional wires are connected to a 0-10V dimmer. The enclosure provides a space inside for electrical connections. In-Wall Power Supply Kit includes power supply, box cover and stud hangers. T-Bar Mounting Kit includes power supply, box cover, and T-bar hangers for installing Junction Box above ceiling with in easy reach. Comes with 4' of 14 gauge pair Teflon cables with quick secure connectors. Power Supply features short circuit, overload and over temperature protection.

APPLICATIONS

Indoor, Damp Location

MOUNTING

Surface mounted with conduit access

POWER INPUT

120-277VAC

POWER OUTPUT

Class 2; 24 volts DC 4A, up to 96 watts maximum

EFFICIENCY

90%

AMBIENT OPERATING TEMPERATURE

-25° C to 40° C

DIMMING

#1 Controls the intensity. #2 Controls the Color Temperature.
0-10V (dimmer needs to be capable to dim to 0% without ON/OFF switch)

DIMMING CURVE

Linear, Logarithmic 100% - 0% (HydraDrive)

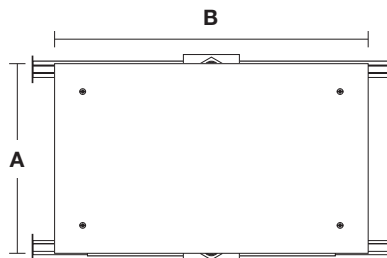
COMPLIANCE

Made in the USA, UL, CE, Title 28, Plenum for use in Accordance with UL 2043.
*Title 24 with JA8 listed PureEdge products and systems

Product	Wattage	Dimming	Voltage	Color Temperature	Options
PSB	96W	010	24VDC	2XK	STANDARD (Leave Blank)
PSB Power Supply with Enclosure Box with Tunable White 0-10V Controller	96W 96 Watts 2X96W 2x96 Watts 3X96W 3x96 Watts 4X96W 4x96 Watts	010 0-10 Volt Dimming	24VDC 24 Volt DC	2XK Tunable White	TB T-Bar Grid Ceiling IW* In-Wall Kit *96 watts only



PSB-96W-010-24VDC-2XK-IW

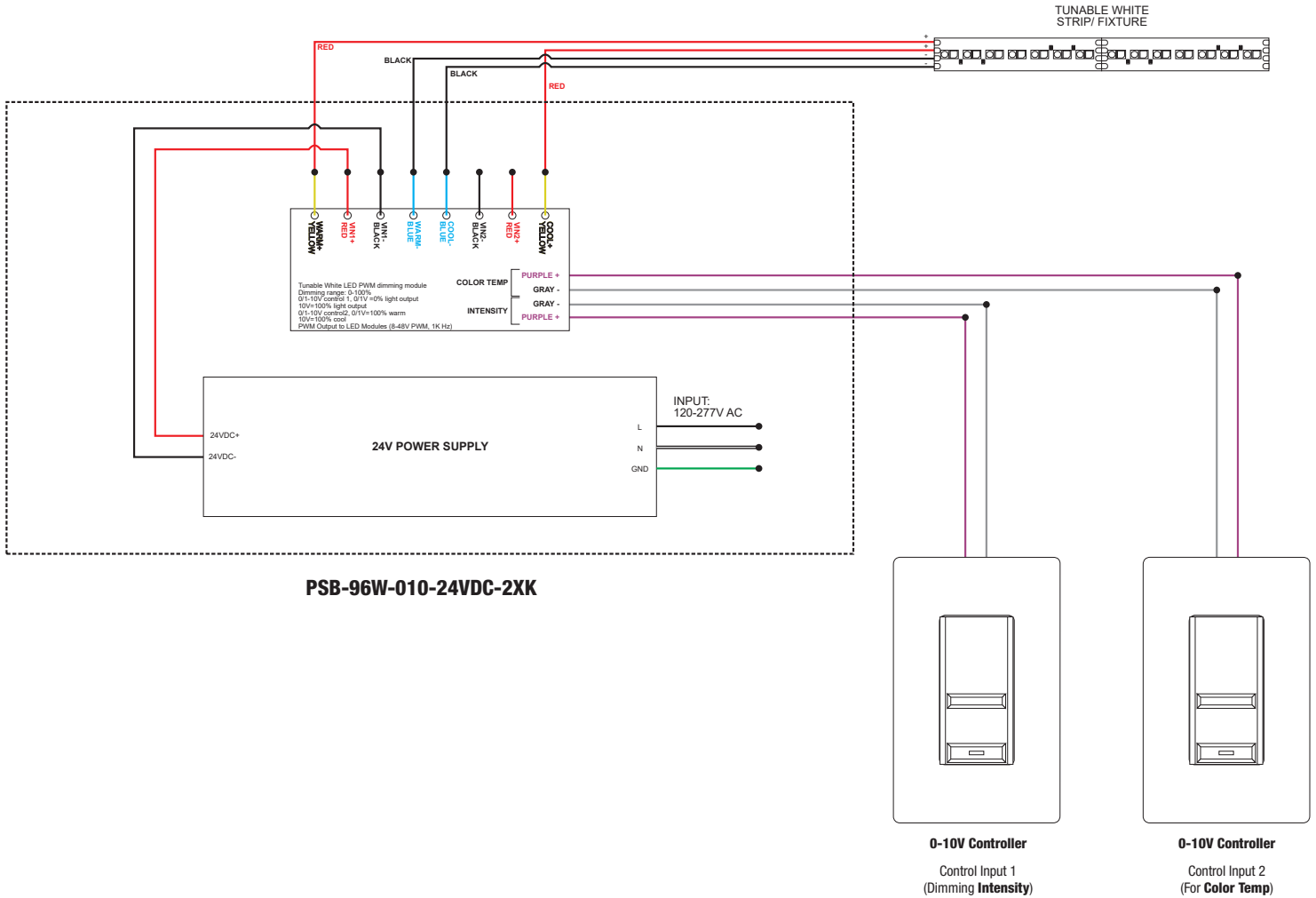


PSB-96W-010-24VDC-2XK-IW (IN WALL KIT)

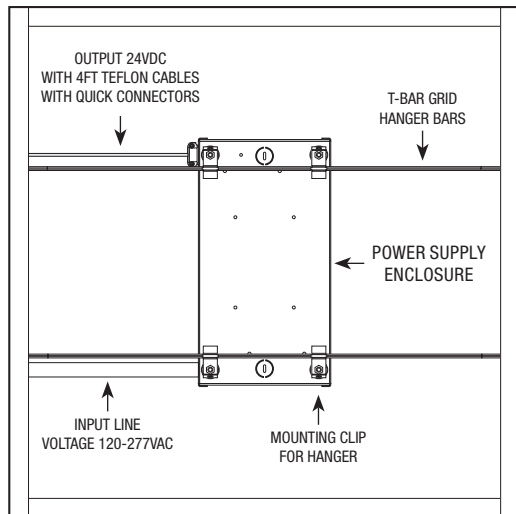
IN-WALL DIMENSIONS		
	A	B
PSB-96W-010-24VDC-2XK-IW	8.5"	14.25"

PROJECT		FIXTURE TYPE		DATE	
---------	--	--------------	--	------	--

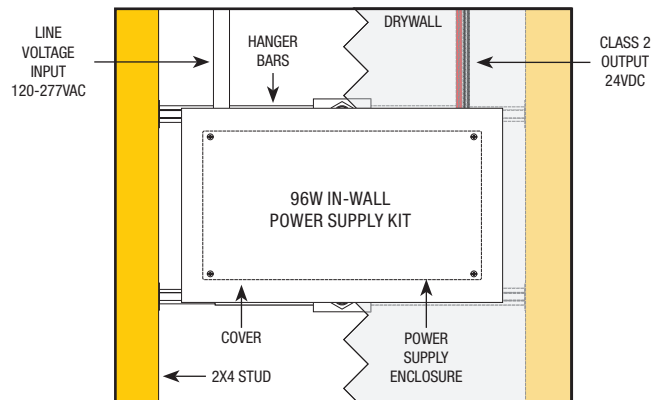
Application: 0-10V dimming for Tunable White LED Strip/Fixture



T-BAR GRID CEILING



IN WALL KIT

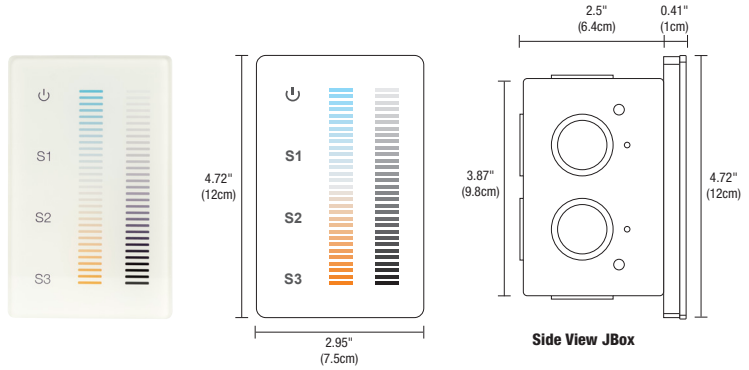


PROJECT		FIXTURE TYPE		DATE	
---------	--	--------------	--	------	--

TUNABLE WHITE DMX CONTROLLER AND POWER SUPPLIES

24VDC INDOOR CONSTANT VOLTAGE POWER SUPPLIES WITH DRIVERS

REV 08.17.21



DESCRIPTION:

The Tunable White Touch Controller offers fast and accurate Color Temperature adjustment and the ability to regulate the Brightness Independently. The modern Glass faceplate features illuminated indicators, and a back-lit night light that softly illuminates the controller when powered off. Designed for Tunable White, and dual-color LED installations within a single zone. The two Vertical Touch sliders are precise and sensitive, allowing you to fine-tune your perfect Color Temperature at any point between **2000K** (Sunset) to **6500K** (Daylight White) while selecting over 250 levels of Brightness in a smooth, uninterrupted transition. Create Thousands of White Color Combinations while maintaining even Brightness and overall saturation. Easily save three pre-set scenes for different times of the day. Support health, performance, and general well-being using Human-Centric lighting by fine-tuning the biological effects that light has on the circadian cycle using the latest in LED technology. Includes a power adapter that fits behind the controller within a standard junction box and fits inside a standard single-gang receptacle (not for use in a multi-gang box). Use with an insulated, 24 AWG stranded, tinned copper wire (Belden #9841). Power Supplies are Sold Separately. Includes a 5 year pro-rated warranty.

APPLICATIONS:

Indoor

OUTPUT SIGNAL:

USITT DMX 512 (1990)

INSTALLATION:

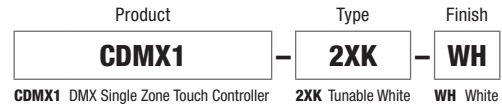
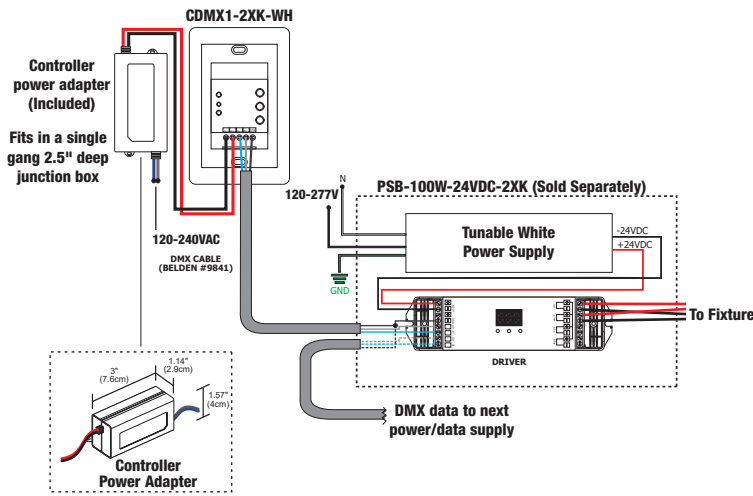
Fits in a single gang 2.5" deep junction box. Not compatible with multi-gang boxes.

LABELS:

ROHS, FCC, Damp Location, ETL/UL

POWER INPUT:

120-240VAC

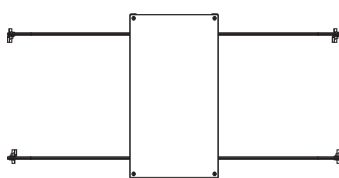


COLOR CHANGING (DMX) POWER SUPPLIES

ORDERING CODE	PSB-100W-24VDC-2XK	PSB-2X100W-24VDC-2XK	PSB-3X100W-24VDC-2XK	PSB-4X100W-24VDC-2XK
SPECIFICATIONS				
MAXIMUM LOAD OF LED STRIP LENGTH	100W 5 WATTS - 20FT MAX. 10 WATTS - 10FT MAX.	2X100W 5 WATTS 2 X 20FT MAX. 10 WATTS - 2 X 10FT MAX.	3X100W 5 WATTS 3 X 20FT MAX. 10 WATTS - 3 X 10FT MAX.	4X100W 5 WATTS 4 X 20FT MAX. 10 WATTS - 4 X 10FT MAX.
INPUT VOLTAGE	120-277VAC	120-277VAC	120-277VAC	120-277VAC
OUTPUT VOLTAGE	24VDC	24VDC	24VDC	24VDC
DIMENSIONS	12.4" X 6.48" X 2.18"	14" X 10" X 3"	17" X 10" X 3"	17" X 10" X 3"
CLASSIFICATION	CLASS 2	CLASS 2	CLASS 2	CLASS 2
T-BAR MOUNTING	PSB-100W-24VDC-2XK-TB	PSB-2X100W-24VDC-2XK-TB	PSB-3X100W-24VDC-2XK-TB	PSB-4X100W-24VDC-2XK-TB
IN-WALL MOUNTING	PSB-100W-24VDC-2XK-IW	NA	NA	NA
DMX TUNABLE WHITE DIMMING & CONTROLS				
TUNABLE WHITE TOUCH CONTROLLER (CDMX1-2XK)	•	•	•	•

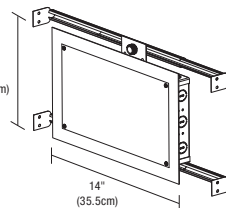
- Flicker free dimming
- Aluminum casing for optimal heat dissipation
- Isolated output power per NEC and UL safety requirements
- UL & ETL recognized/ listed, meets UL 8750, 1310 requirements

- Auto-reset; short circuit, overload and thermal protection
- Class 2 power supply
- Efficient, High power factor > 0.90



T-BAR Mounting Kit: Includes power supply, box cover, and T-bar hangers for installing Junction Box above ceiling with in easy reach. Comes with 4ft of 14 gauge pair Teflon cables with quick secure connectors.

Ordering Codes:
 PSB-100W-24VDC-2XK-TB
 PSB-2x100W-24VDC-2XK-TB
 PSB-3x100W-24VDC-2XK-TB
 PSB-4x100W-24VDC-2XK-TB



8.5" x 14" In-Wall Mounting Kit: Includes power supply, box cover and stud hangers for installing Junction Box in wall. Select "IW" in the options section of compatible power supply ordering codes if an In-Wall Mounting Kit is needed.

Ordering Codes:
 PSB-100W-24VDC-2XK-IW

PROJECT	FIXTURE TYPE	DATE
---------	--------------	------

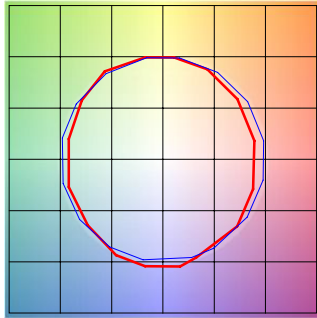
TM30 DATA

END FEED WITH REMOTE POWER, TUNABLE WHITE

TM-30-15 DATA: The data below is for ST5A, ST7A and ST10A bare LED Soft Strips. Consistent color temperatures throughout a single strip and among multiple strips is possible through a 3 phase binning process in which each order is inspected with a color meter to ensure uniformity.

2000K ONLY (2K4K) | Rf: 84.3 | Rg: 96.9

Color Vector Graphic

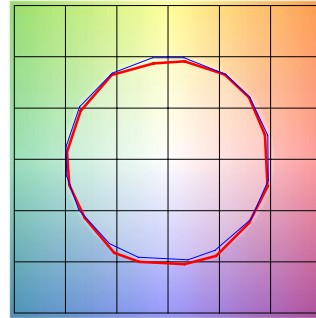


■ Test ■ Reference

GRAPHIC SHIFTS %			
HUE BIN	Rf	CHROMA	HUE
1	80.3	-8.9%	1.7%
2	79.7	-7.0%	7.8%
3	78.9	-2.9%	10.0%
4	89.5	-0.5%	5.1%
5	94.4	0.7%	1.7%
6	92.1	2.4%	-0.3%
7	89.4	-2.4%	-5.9%
8	89.7	-6.4%	-0.2%
9	86.0	-4.9%	4.6%
10	81.8	-3.4%	9.3%
11	83.1	3.3%	9.7%
12	85.8	5.6%	3.3%
13	85.6	6.2%	-12.8%
14	61.7	-1.9%	-19.0%
15	79.7	-3.3%	-12.9%
16	78.1	-7.9%	-10.6%

4000K ONLY (2K4K) | Rf: 89.6 | Rg: 99.1

Color Vector Graphic

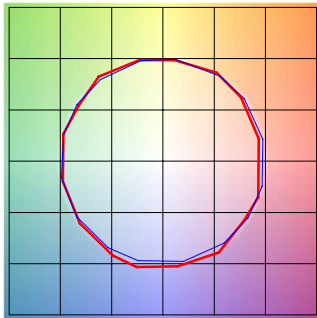


■ Test ■ Reference

GRAPHIC SHIFTS %			
HUE BIN	Rf	CHROMA	HUE
1	91.3	-2.5%	1.0%
2	95.3	-0.5%	0.5%
3	94.3	-0.7%	1.1%
4	91.1	-3.4%	-1.1%
5	89.5	-5.6%	0.0%
6	94.6	-1.4%	1.3%
7	93.2	-3.0%	2.6%
8	91.3	-1.8%	4.6%
9	86.5	-0.9%	9.1%
10	83.3	-0.5%	9.5%
11	83.3	4.9%	9.0%
12	89.7	4.1%	1.7%
13	90.1	3.6%	-4.3%
14	93.4	5.2%	-2.1%
15	87.4	0.4%	-4.3%
16	86.6	0.4%	-6.1%

2K4K (3000K) | Rf: 90.2 | Rg: 101.4

Color Vector Graphic



■ Test ■ Reference

GRAPHIC SHIFTS %			
HUE BIN	Rf	CHROMA	HUE
1	90.9	-3.8%	1.3%
2	91.7	-1.9%	3.3%
3	88.7	0.7%	5.1%
4	92.4	-1.0%	0.7%
5	92.9	0.9%	1.7%
6	93.1	3.3%	-0.6%
7	91.0	-1.8%	-0.4%
8	97.0	0.2%	-1.1%
9	92.8	-0.5%	3.6%
10	88.3	1.0%	7.0%
11	87.1	3.8%	7.8%
12	87.6	6.5%	-0.3%
13	89.3	3.6%	-6.3%
14	86.1	4.5%	-9.1%
15	91.6	-1.9%	-3.1%
16	83.8	-1.5%	-11.2%

PROJECT	FIXTURE TYPE	DATE
---------	--------------	------