



Merchandise Mart - Chicago, IL

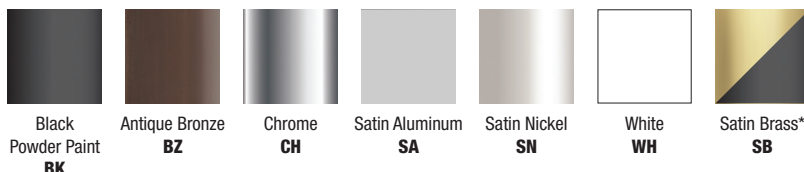
DESCRIPTION

With the Cirrus Modular Suspension System, you become the Lighting Designer. Using the architectural aesthetic of the Cirrus family of fixtures with Interchangeable L, T, and X connectors, you can effortlessly combine multiple channels and create geometric compositions of any size. The latest in LED Technology Dynamic/Tunable White, you have full control over the color temperature from 2000K (Sunset) to 4000K (Cool White) and the ability to regulate any level of brightness independently. Use with two dimmers or, our proprietary Tunable White Controller for fast and accurate adjustment with three pre-set scenes (Ordered separately). The linear LED channels offer direct light in a clean and contemporary style through a **High** or **Standard Efficiency** 100° lens in either a diffused white or clear frosted version. Available in increments from 12"-120" and several Metal Finish Options. Add Black or White Louvers for additional diffusion. Dynamic/Tunable White supports health, performance, and overall well-being by fine-tuning the biological effects that light has on the circadian cycle. Remote 24VDC power supplies are required and ordered separately. Fixtures include a 5 year pro-rated warranty. For Custom Lengths, Designs and Quotes, email our Design Team: design@PureEdgeLighting.com.

FEATURES & BENEFITS

- **Personalization:** Create your own modular configurations
- **Low Profile:** Less than 1" Square Channel
- **Remote Power Supply:** Up to 100 Watts (End Feed), up to 200 Watts (Center Feed)
- **Length Options:** 12"-120" (10')
- **Wattage Options:** 5 or 10 Watts
- **Finishes:** Black Powder Paint, Chrome, White Powder Paint, Satin Aluminum, Antique Bronze, Satin Nickel and Satin Brass
- **High Lumen Output:** Up to 674 lm/ft
- **Color Temperature:** Dynamic Tunable White (2K4K)
- **High CRI:** Up to 95+
- **2 Lens Options:** Diffused White 100° and Clear Frosted 60°
- **2 Louver Options:** Black or White
- **Easy Installation:** Fully Assembled Fixtures with Push-In Connectors

FINISHES



CIRRUS CHANNEL COMPONENTS (INCLUDED)

- Designer Grade Color Rendering (CRI) LED Strip, installed to fit length
- Diffused White 100° or Clear Frosted 60° Lens
- Channel and Suspension Cables
- Optional White or Black Louver

COMPONENTS (SOLD SEPARATELY)

- Remote or Surface Mount Power Supplies
- End Caps and L, T, X, Y, and Flexible Connectors
- Power End Caps and Power Connectors (Includes Power Canopies)

REMOTE POWER SUPPLIES*, DIMMERS & CONTROLS (SOLD SEPARATELY)

- UNI Driver (ELV, 0-10, TRIAC)
- Lutron Hi-Lume®
- Electronic Low Voltage Dimming (ELV)
- 0-10 Volt Dimming (0-10V)

*In-Wall Mounting Kits available for select power supplies

** Dynamic/Tunable White - Requires two dimmers (one for 2000K and one for 4000K) or use our proprietary Tunable White Controller CDMX-1 (pg 13)

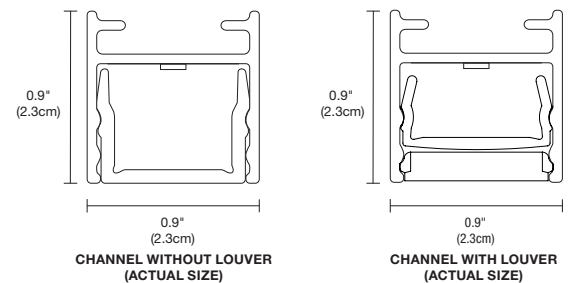
APPLICATIONS

Ideal environments include Offices, Conference Rooms, Lobbies, Education and Healthcare Institutions

APPROVALS

Damp Location, ETL Listed, Class 2 wiring, Title 24 with Universal Power Supply, Made in America

Use our Configurator to see List Price, Complete Ordering Code and Overall Length. [Cirrus D1 Suspension 2K4K Modular Configurator](#)



PROJECT	FIXTURE TYPE	DATE
---------	--------------	------



CIRRUS LED SUSPENSION

DOWNLIGHT MODULAR, DYNAMIC TUNABLE WHITE 2K4K



REV 09.23.20

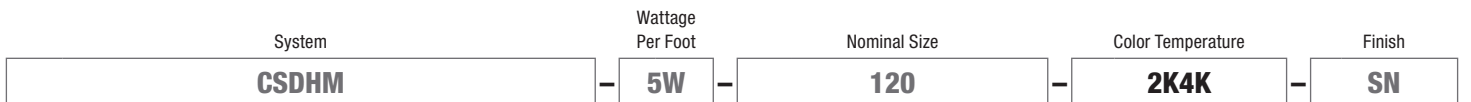
Cirrus Suspension Modular Channel is the primary component of the Cirrus Modular system. The 24VDC Channel may be ordered from 12"-120" and includes a Diffused White Lens with standard or high efficiency options. The Diffused White Lens offers the most lumens and disperses the light evenly without dots. LEDs come in 2 Lumen (wattage) options and Dynamic Tunable White (**2K4K**). The Cirrus Channel can be combined with various CSDM components such as L, T, X, Y, and Flexible Connectors, and 2" or 4" Round or Square Power Canopies for building personalized modular configurations. Suspension Cables (every 5') are included with the Channel. The 100 watt Remote Power Supply may be located up to 40' away. The Channel runs as long as 20' with 5 watts per foot and up to 10' with 10 watts per foot before re-feeding.



DIFFUSED WHITE LENS (ACTUAL SIZE)

CSDSM												
DESCRIPTION	STANDARD EFFICIENCY, 100° DIFFUSED WHITE LENS WITHOUT LOUVER											
WATTS PER FOOT	5W (5 watts)						10W (10 watts)					
COLOR TEMPERATURE	20K	24K	27K	30K	35K	40K	20K	24K	27K	30K	35K	40K
LUMENS PER FOOT (lm/ft)	199	250	271	294	303	272	389	486	524	568	581	517
LUMENS PER WATT (lm/w)	50	54	59	64	66	68	49	53	57	62	63	65
CRI	85+	90+	95+	95+	85+	84	85+	90+	95+	95+	85+	84

CSDHM												
DESCRIPTION	HIGH EFFICIENCY, 100° DIFFUSED WHITE LENS WITHOUT LOUVER											
WATTS PER FOOT	5W (5 watts)						10W (10 watts)					
COLOR TEMPERATURE	20K	24K	27K	30K	35K	40K	20K	24K	27K	30K	35K	40K
LUMENS PER FOOT (lm/ft)	231	290	314	341	351	315	451	563	607	659	674	599
LUMENS PER WATT (lm/w)	47	51	55	60	62	64	56	61	66	72	73	75
CRI	85+	90+	95+	95+	85+	84	85+	90+	95+	95+	85+	84



CSDSM Cirrus Suspension, Diffused White 100° Standard Efficiency Lens, Modular, without Louver
CSDHM Cirrus Suspension, Diffused White 100° High Efficiency, Modular, without Louver

5W 5 Watts
10W 10 Watts

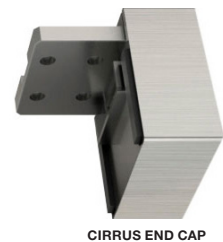
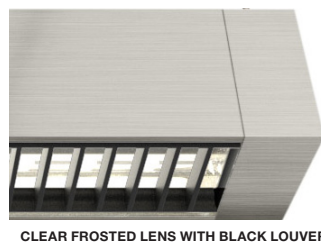
12-120 Order in various increments from 12"-120"

2K4K Tunable White 2000K-4000K

BK Black Powder Paint
BZ Antique Bronze
CH Chrome
SA Satin Aluminum
SN Satin Nickel
WH White Powder Paint
SB Satin Brass
 *Includes Black End Caps, Wires, and Canopy

*Maximum shipping length for Chrome is 84"

**See Length chart on pg 5 for exact dimensions



PROJECT	FIXTURE TYPE	DATE
---------	--------------	------



CIRRUS LED SUSPENSION

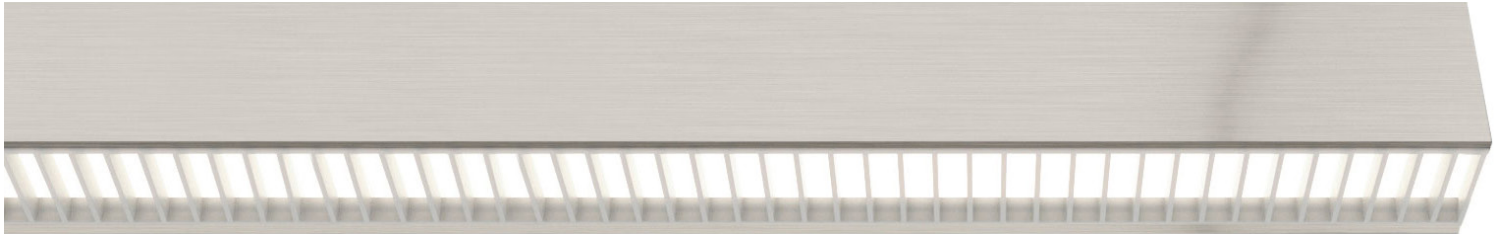
DOWNLIGHT MODULAR, DYNAMIC TUNABLE WHITE 2K4K



REV 09.23.20

CIRRUS SUSPENSION DOWNLIGHT MODULAR CHANNEL with Diffused White Lens & Clear Frosted Lens with White Louver

Cirrus Suspension Modular Channel is the primary component of the Cirrus Modular system. The 24VDC Channel may be ordered from 12"-120" and includes a Diffused White Lens or Clear Frosted Lens. The White Louver reduces glare while dispersing the light evenly without dots. LEDs come in 2 Lumen (wattage) options and Dynamic Tunable White (**2K4K**). The Cirrus Channel can be combined with various CSDM components such as L, T, X, Y, and Flexible Connectors, and 2" or 4" Round or Square Power Canopies for building personalized modular configurations. Suspension Cables (every 5') are included with the Channel. The 100 watt Remote Power Supply may be located up to 40' away. The Channel runs as long as 20' with 5 watts per foot and up to 10' with 10 watts per foot before re-feeding.



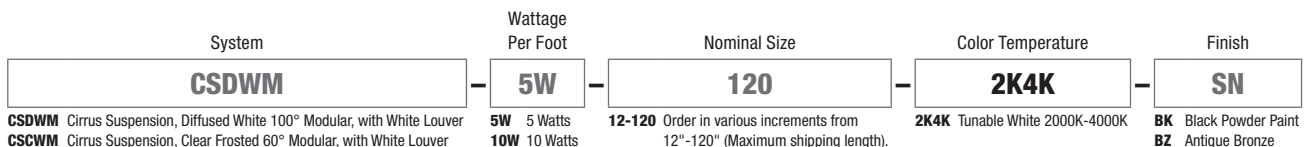
DIFFUSED WHITE LENS WITH WHITE LOUVER (ACTUAL SIZE)

DESCRIPTION	CSDWM											
	100° DIFFUSED WHITE LENS WITH WHITE LOUVER											
	5W (5 watts)						10W (10 watts)					
WATTS PER FOOT	5W (5 watts)						10W (10 watts)					
COLOR TEMPERATURE	20K	24K	27K	30K	35K	40K	20K	24K	27K	30K	35K	40K
LUMENS PER FOOT (lm/ft)	187	234	254	276	284	255	365	456	492	533	546	485
LUMENS PER WATT (lm/w)	47	51	55	60	62	64	46	50	53	58	59	61
CRI	85+	90+	95+	95+	85+	84	85+	90+	95+	95+	85+	84



CLEAR FROSTED LENS WITH WHITE LOUVER (ACTUAL SIZE)

DESCRIPTION	CSCWM											
	60° CLEAR FROSTED LENS WITH WHITE LOUVER											
	5W (5 watts)						10W (10 watts)					
WATTS PER FOOT	5W (5 watts)						10W (10 watts)					
COLOR TEMPERATURE	20K	24K	27K	30K	35K	40K	20K	24K	27K	30K	35K	40K
LUMENS PER FOOT (lm/ft)	170	214	232	252	260	233	333	416	449	487	498	443
LUMENS PER WATT (lm/w)	43	47	50	55	56	58	42	45	49	53	54	55
CRI	85+	90+	95+	95+	85+	84	85+	90+	95+	95+	85+	84



CSDWM Cirrus Suspension, Diffused White 100° Modular, with White Louver
CSCWM Cirrus Suspension, Clear Frosted 60° Modular, with White Louver

5W 5 Watts
10W 10 Watts

12-120 Order in various increments from 12"-120" (Maximum shipping length).

2K4K Tunable White 2000K-4000K

- BK** Black Powder Paint
- BZ** Antique Bronze
- CH** Chrome
- SA** Satin Aluminum
- SN** Satin Nickel
- WH** White Powder Paint
- SB** Satin Brass*

*Maximum shipping length for Chrome is 84"

**See Length chart on pg 5 for exact dimensions

*Includes Black End Caps, Wires, and Canopy

PROJECT	FIXTURE TYPE	DATE
---------	--------------	------



CIRRUS LED SUSPENSION

DOWNLIGHT MODULAR, DYNAMIC TUNABLE WHITE 2K4K



REV 09.23.20

CIRRUS SUSPENSION DOWNLIGHT MODULAR CHANNEL with Diffused White Lens & Clear Frosted Lens with Black Louver

Cirrus Suspension Modular Channel is the primary component of the Cirrus Modular system. The 24VDC Channel may be ordered from 12"-120" and includes a Diffused White Lens or Clear Frosted Lens. The Black Louver reduces the most glare while dispersing the light evenly without dots. LEDs come in 2 Lumen (wattage) options and Dynamic Tunable White (**2K4K**). The Cirrus Channel can be combined with various CSDM components such as L, T, X, Y, and Flexible Connectors, and 2" or 4" Round or Square Power Canopies for building personalized modular configurations. Suspension Cables (every 5') are included with the Channel. The 100 watt Remote Power Supply may be located up to 40' away. The Channel runs as long as 20' with 5 watts per foot and up to 10' with 10 watts per foot before re-feeding.



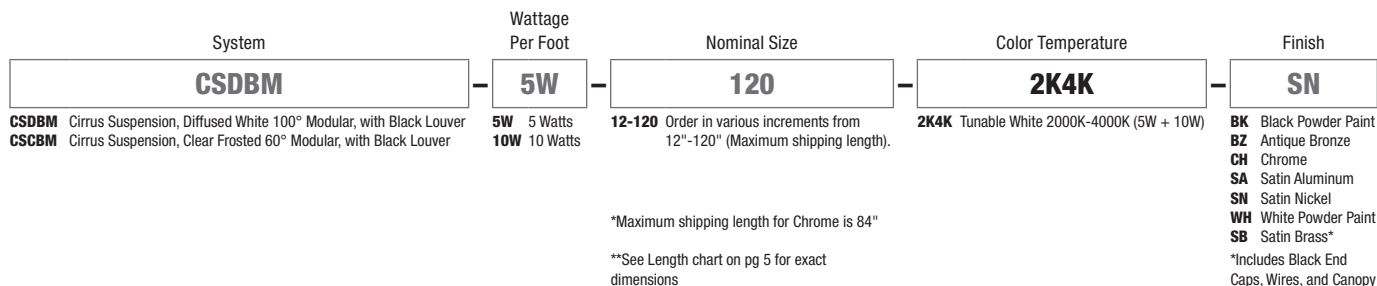
DIFFUSED WHITE LENS WITH BLACK LOUVER (ACTUAL SIZE)

DESCRIPTION	CSDBM											
	100° DIFFUSED WHITE LENS WITH BLACK LOUVER											
	5W (5 watts)						10W (10 watts)					
WATTS PER FOOT	5W (5 watts)						10W (10 watts)					
COLOR TEMPERATURE	20K	24K	27K	30K	35K	40K	20K	24K	27K	30K	35K	40K
LUMENS PER FOOT (lm/ft)	142	178	194	210	217	194	278	348	375	407	416	370
LUMENS PER WATT (lm/w)	36	39	42	46	47	49	35	38	41	44	45	46
CRI	85+	90+	95+	95+	85+	84	85+	90+	95+	95+	85+	84



CLEAR FROSTED LENS WITH BLACK LOUVER (ACTUAL SIZE)

DESCRIPTION	CSCBM											
	60° CLEAR FROSTED LENS WITH BLACK LOUVER											
	5W (5 watts)						10W (10 watts)					
WATTS PER FOOT	5W (5 watts)						10W (10 watts)					
COLOR TEMPERATURE	20K	24K	27K	30K	35K	40K	20K	24K	27K	30K	35K	40K
LUMENS PER FOOT (lm/ft)	114	143	155	169	174	156	223	279	301	326	334	297
LUMENS PER WATT (lm/w)	29	31	34	37	38	39	28	30	33	35	36	37
CRI	85+	90+	95+	95+	85+	84	85+	90+	95+	95+	85+	84



PROJECT	FIXTURE TYPE	DATE	
---------	--------------	------	--



CIRRUS LED SUSPENSION

DOWNLIGHT MODULAR, DYNAMIC TUNABLE WHITE 2K4K



REV 09.23.20

LENGTH CHART Actual lengths for Cirrus Suspension Downlight Modular

ORDERING CODE (NOMINAL SIZE)	ACTUAL LENGTH	5W (2K4K)				10W (2K4K)			
		WITH TWO DIMMERS: YOU NEED TWO UNI DRIVER POWER SUPPLIES, ONE FOR 2000K AND ONE FOR 4000K (SEE PAGES BELOW)		DMX POWER AND CDMX CONTROLLER: YOU NEED ONE POWER SUPPLY ONLY (SEE PAGES BELOW)		WITH TWO DIMMERS: YOU NEED TWO UNI DRIVER POWER SUPPLIES, ONE FOR 2000K AND ONE FOR 4000K (SEE PAGES BELOW)		DMX POWER AND CDMX CONTROLLER: YOU NEED ONE POWER SUPPLY ONLY (SEE PAGES BELOW)	
		2K4K @ 5 WATTS PER FT	POWER SUPPLY	POWER SUPPLY	2K4K @ 10 WATTS PER FT	POWER SUPPLY	POWER SUPPLY		
12	13.0	5	PSB-2x40W-UNI-24VDC	PSB-100W-24VDC-2XK	10	PSB-2x40W-UNI-24VDC	PSB-100W-24VDC-2XK		
15	15.4	6	PSB-2x40W-UNI-24VDC	PSB-100W-24VDC-2XK	12	PSB-2x40W-UNI-24VDC	PSB-100W-24VDC-2XK		
17	17.8	7	PSB-2x40W-UNI-24VDC	PSB-100W-24VDC-2XK	14	PSB-2x40W-UNI-24VDC	PSB-100W-24VDC-2XK		
20	20.2	8	PSB-2x40W-UNI-24VDC	PSB-100W-24VDC-2XK	17	PSB-2x40W-UNI-24VDC	PSB-100W-24VDC-2XK		
22	22.6	9	PSB-2x40W-UNI-24VDC	PSB-100W-24VDC-2XK	18	PSB-2x40W-UNI-24VDC	PSB-100W-24VDC-2XK		
24	25.0	10	PSB-2x40W-UNI-24VDC	PSB-100W-24VDC-2XK	20	PSB-2x40W-UNI-24VDC	PSB-100W-24VDC-2XK		
27	27.4	11	PSB-2x40W-UNI-24VDC	PSB-100W-24VDC-2XK	22	PSB-2x40W-UNI-24VDC	PSB-100W-24VDC-2XK		
29	29.8	12	PSB-2x40W-UNI-24VDC	PSB-100W-24VDC-2XK	24	PSB-2x40W-UNI-24VDC	PSB-100W-24VDC-2XK		
32	32.2	13	PSB-2x40W-UNI-24VDC	PSB-100W-24VDC-2XK	27	PSB-2x40W-UNI-24VDC	PSB-100W-24VDC-2XK		
34	34.6	14	PSB-2x40W-UNI-24VDC	PSB-100W-24VDC-2XK	28	PSB-2x40W-UNI-24VDC	PSB-100W-24VDC-2XK		
36	37.0	15	PSB-2x40W-UNI-24VDC	PSB-100W-24VDC-2XK	30	PSB-2x40W-UNI-24VDC	PSB-100W-24VDC-2XK		
39	39.4	16	PSB-2x40W-UNI-24VDC	PSB-100W-24VDC-2XK	32	PSB-2x40W-UNI-24VDC	PSB-100W-24VDC-2XK		
41	41.8	17	PSB-2x40W-UNI-24VDC	PSB-100W-24VDC-2XK	34	PSB-2x40W-UNI-24VDC	PSB-100W-24VDC-2XK		
44	44.2	18	PSB-2x40W-UNI-24VDC	PSB-100W-24VDC-2XK	37	PSB-2x40W-UNI-24VDC	PSB-100W-24VDC-2XK		
46	46.6	19	PSB-2x40W-UNI-24VDC	PSB-100W-24VDC-2XK	38	PSB-2x40W-UNI-24VDC	PSB-100W-24VDC-2XK		
48	49.0	20	PSB-2x40W-UNI-24VDC	PSB-100W-24VDC-2XK	40	PSB-2x40W-UNI-24VDC	PSB-100W-24VDC-2XK		
51	51.4	21	PSB-2x40W-UNI-24VDC	PSB-100W-24VDC-2XK	42	PSB-2x60W-UNI-24VDC	PSB-100W-24VDC-2XK		
53	53.8	22	PSB-2x40W-UNI-24VDC	PSB-100W-24VDC-2XK	44	PSB-2x60W-UNI-24VDC	PSB-100W-24VDC-2XK		
56	56.2	23	PSB-2x40W-UNI-24VDC	PSB-100W-24VDC-2XK	47	PSB-2x60W-UNI-24VDC	PSB-100W-24VDC-2XK		
58	58.6	24	PSB-2x40W-UNI-24VDC	PSB-100W-24VDC-2XK	48	PSB-2x60W-UNI-24VDC	PSB-100W-24VDC-2XK		
60	61.0	25	PSB-2x40W-UNI-24VDC	PSB-100W-24VDC-2XK	50	PSB-2x60W-UNI-24VDC	PSB-100W-24VDC-2XK		
63	63.4	26	PSB-2x40W-UNI-24VDC	PSB-100W-24VDC-2XK	52	PSB-2x60W-UNI-24VDC	PSB-100W-24VDC-2XK		
65	65.8	27	PSB-2x40W-UNI-24VDC	PSB-100W-24VDC-2XK	54	PSB-2x60W-UNI-24VDC	PSB-100W-24VDC-2XK		
68	68.2	28	PSB-2x40W-UNI-24VDC	PSB-100W-24VDC-2XK	57	PSB-2x60W-UNI-24VDC	PSB-100W-24VDC-2XK		
70	70.6	29	PSB-2x40W-UNI-24VDC	PSB-100W-24VDC-2XK	58	PSB-2x60W-UNI-24VDC	PSB-100W-24VDC-2XK		
72	73.0	30	PSB-2x40W-UNI-24VDC	PSB-100W-24VDC-2XK	60	PSB-2x96W-UNI-24VDC	PSB-100W-24VDC-2XK		
75	75.4	31	PSB-2x40W-UNI-24VDC	PSB-100W-24VDC-2XK	62	PSB-2x96W-UNI-24VDC	PSB-100W-24VDC-2XK		
77	77.8	32	PSB-2x40W-UNI-24VDC	PSB-100W-24VDC-2XK	64	PSB-2x96W-UNI-24VDC	PSB-100W-24VDC-2XK		
80	80.2	33	PSB-2x40W-UNI-24VDC	PSB-100W-24VDC-2XK	67	PSB-2x96W-UNI-24VDC	PSB-100W-24VDC-2XK		
82	82.6	34	PSB-2x40W-UNI-24VDC	PSB-100W-24VDC-2XK	68	PSB-2x96W-UNI-24VDC	PSB-100W-24VDC-2XK		
84*	85.0	35	PSB-2x40W-UNI-24VDC	PSB-100W-24VDC-2XK	70	PSB-2x96W-UNI-24VDC	PSB-100W-24VDC-2XK		
87	87.4	36	PSB-2x40W-UNI-24VDC	PSB-100W-24VDC-2XK	72	PSB-2x96W-UNI-24VDC	PSB-100W-24VDC-2XK		
89	89.8	37	PSB-2x40W-UNI-24VDC	PSB-100W-24VDC-2XK	74	PSB-2x96W-UNI-24VDC	PSB-100W-24VDC-2XK		
92	92.2	38	PSB-2x40W-UNI-24VDC	PSB-100W-24VDC-2XK	77	PSB-2x96W-UNI-24VDC	PSB-100W-24VDC-2XK		
94	94.6	39	PSB-2x40W-UNI-24VDC	PSB-100W-24VDC-2XK	78	PSB-2x96W-UNI-24VDC	PSB-100W-24VDC-2XK		
96	97.0	40	PSB-2x60W-UNI-24VDC	PSB-100W-24VDC-2XK	80	PSB-2x96W-UNI-24VDC	PSB-100W-24VDC-2XK		
99	99.4	41	PSB-2x60W-UNI-24VDC	PSB-100W-24VDC-2XK	82	PSB-2x96W-UNI-24VDC	PSB-100W-24VDC-2XK		
101	101.8	42	PSB-2x60W-UNI-24VDC	PSB-100W-24VDC-2XK	84	PSB-2x96W-UNI-24VDC	PSB-100W-24VDC-2XK		
104	104.2	43	PSB-2x60W-UNI-24VDC	PSB-100W-24VDC-2XK	87	PSB-2x96W-UNI-24VDC	PSB-100W-24VDC-2XK		
106	106.6	44	PSB-2x60W-UNI-24VDC	PSB-100W-24VDC-2XK	88	PSB-2x96W-UNI-24VDC	PSB-100W-24VDC-2XK		
108	109.0	45	PSB-2x60W-UNI-24VDC	PSB-100W-24VDC-2XK	90	PSB-2x96W-UNI-24VDC	PSB-100W-24VDC-2XK		
111	111.4	46	PSB-2x60W-UNI-24VDC	PSB-100W-24VDC-2XK	92	PSB-2x96W-UNI-24VDC	PSB-100W-24VDC-2XK		
113	113.8	47	PSB-2x60W-UNI-24VDC	PSB-100W-24VDC-2XK	94	PSB-2x96W-UNI-24VDC	PSB-100W-24VDC-2XK		
116	116.2	48	PSB-2x60W-UNI-24VDC	PSB-100W-24VDC-2XK	97	PSB-2x96W-UNI-24VDC	PSB-100W-24VDC-2XK		
118	118.6	49	PSB-2x60W-UNI-24VDC	PSB-100W-24VDC-2XK	98	PSB-2x96W-UNI-24VDC	PSB-100W-24VDC-2XK		
120**	121.0	50	PSB-2x60W-UNI-24VDC	PSB-100W-24VDC-2XK	100	PSB-2x96W-UNI-24VDC	PSB-100W-24VDC-2XK		

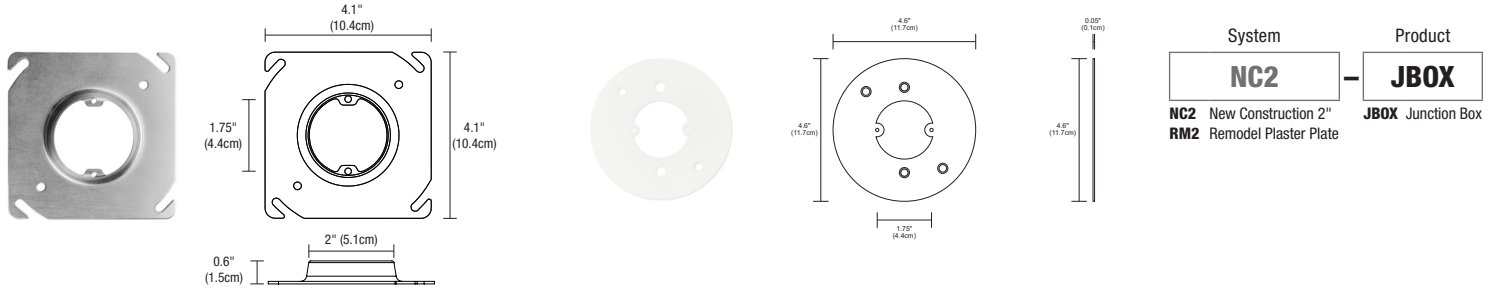
*Maximum Chrome Length **Maximum Shipping Length

PROJECT		FIXTURE TYPE		DATE	
---------	--	--------------	--	------	--

COMPONENTS Swag Bar & Hook, Swag Hook, and T-Bar are compatible with all Power Canopy options and may be required based on lighting design and application

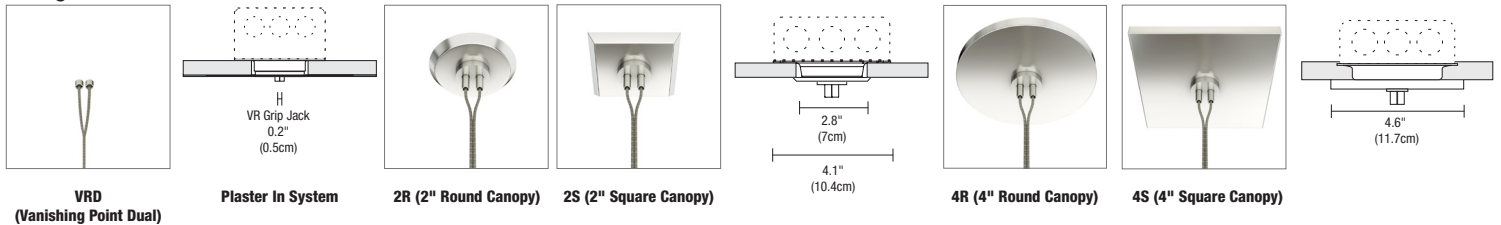
NEW CONSTRUCTION & REMODEL 2" COVER FOR 4" SQUARE JUNCTION BOX

The New Construction NC2-JBOX Cover is included with the 2" Round and Square Canopies and is not required for the 4" Square Canopies. NC2 New Construction Junction Box Cover mounts to a standard 4" Electrical Box or Octagon Box, converting it to a 2" Plaster Ring for use with the 2R (Round) or 2S (Square) Canopy. The Remodel RM2-JBOX Plaster Plate cover is used with an existing 4" Square Junction Box and standard Round Plaster Ring. The PS-60L-ELV-24VDC (50 Watt IC, 60 Watt Non-IC) will fit inside the NC2 or RM2-JBOX Cover and Electrical Junction Box for a flush look.



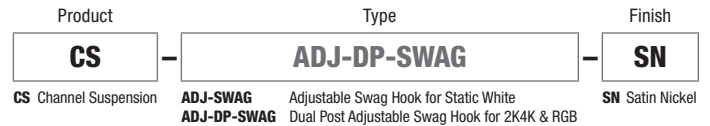
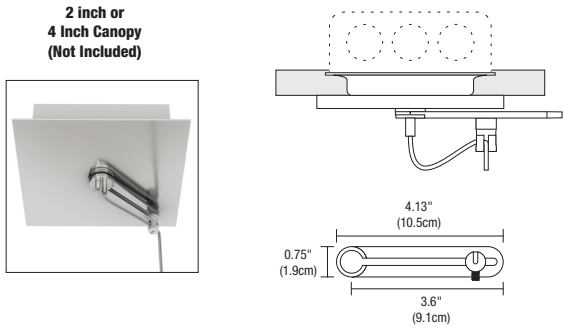
CIRRUS REMOTE POWER CANOPIES (INCLUDED)

Canopies are included with Canopy ordering code. The 2" Round and Square Canopy includes a special Plaster Ring NC2-JBOX (above). The 4" Square or Round Canopy fits on a standard 4" Electrical Box with Round Plaster Ring and the PS-60L-ELV-24VDC 50 Watt IC, 60 Watt Non-IC) will fit inside the NC2 or RM2-JBOX Cover and Electrical Junction Box for a flush look. Vanishing Point Plaster in system with No Canopy, only see cable going through drywall ceiling with GJ24.



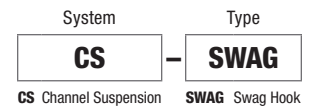
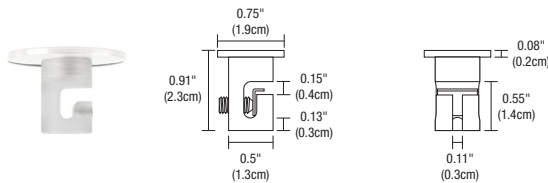
CHANNEL SUSPENSION ADJUSTABLE SWAG BAR AND HOOK

Channel Suspension Adjustable Swag Bar and Hook allows a cable to form a straight connection to the channel when the Power Canopy is not located directly above the fixture. Use when you have two or more canopies (power supplies) on the same fixture run. The Adjustable Swag Hook is compatible with the 2R, 2S, 4R and 4S Power Canopies (Canopy not included).



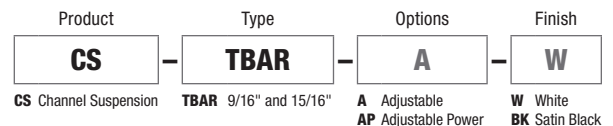
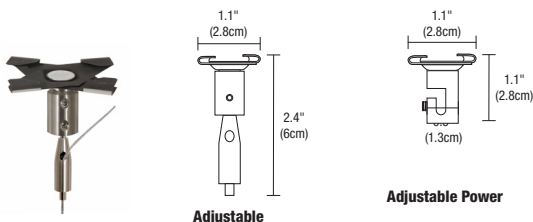
CHANNEL SUSPENSION SWAG HOOK

The clear plastic Swag Hook extends a cable from an electrical box that is not located directly above desired fixture location.

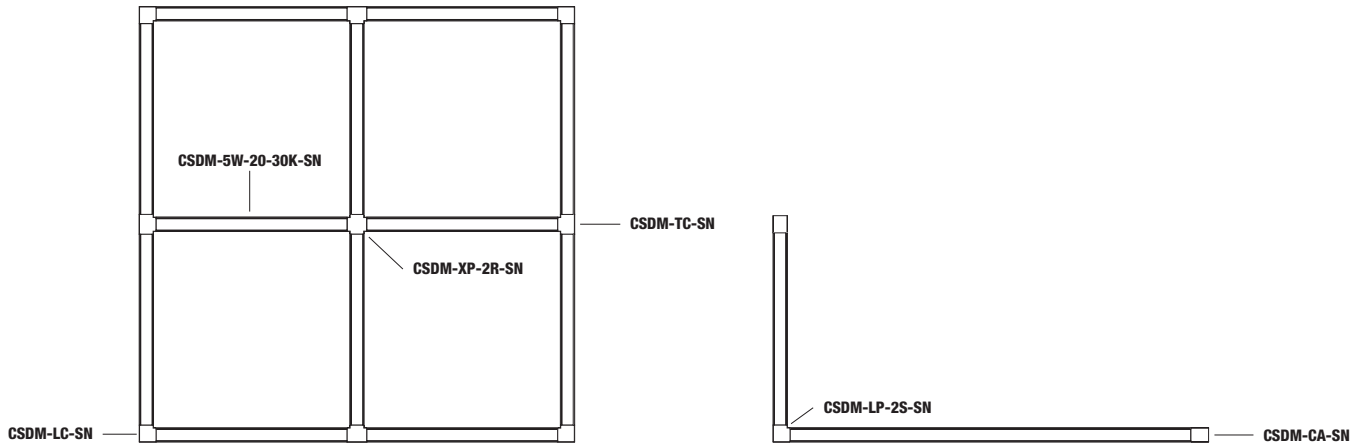
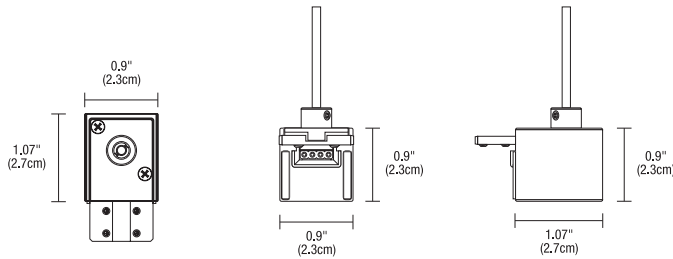


CHANNEL SUSPENSION ADJUSTABLE T-BAR CLIP

Channel Suspension Adjustable T-Bar Clip mounts to T-Bar grid ceilings. Available in Satin Nickel Hardware as Adjustable Power and Non-Power versions.

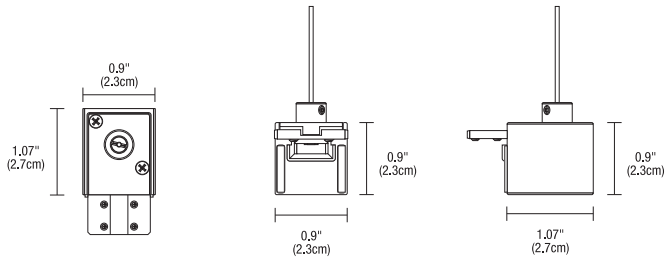


PROJECT	FIXTURE TYPE	DATE
---------	--------------	------

COMPONENTS Power End Cap, End Cap, and Joining Connector

MODULAR CONFIGURATIONS Use L, T, X, Y, and Flexible Connectors to design any Modular formation

END CAP POWER WITH CANOPY

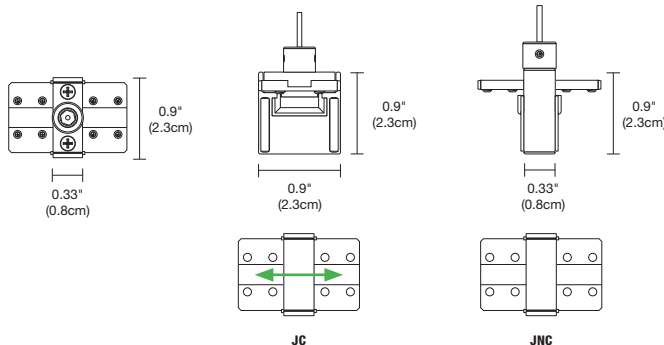
Power End Cap Connector joins the Cirrus Suspension Modular Downlight and electrically provides power. For a Remote Power Supply choose a 2" or 4" Canopy, for Surface Mount Power Supply use ordering code "EZ" (Coaxial Cable End Zero) use ordering code VR for Vanishing Point Plaster in system with No Canopy. Includes 12' of Coaxial Power Cable, which easily adjusts at the Canopy with a Push-In Grip Jack Connector.

System	Type	Power Canopy	Finish
CSDM	CAP	2RT	SN
CSDM Cirrus Suspension Modular Downlight	CAP End Cap Power	2RT 2.8" Round Canopy w/ Two Pair Wire for 2K4K 2ST 2.8" Square Canopy w/ Two Pair Wire for 2K4K 4RT 4.6" Round Canopy w/ Two Pair Wire for 2K4K 4ST 4.6" Square Canopy w/ Two Pair Wire for 2K4K VRT Vanishing Point Plaster in system with No Canopy w/ Two Pair Wire for 2K4K EZ No Canopy, for use with Surface Mount Power Supply, (Order Separately)	BK Black Powder Paint BZ Antique Bronze CH Chrome SA Satin Aluminum SN Satin Nickel WH White


END CAP

End Cap terminates the Cirrus Suspension Modular Downlight run and provides a finished look. Includes 12' of Adjustable Aircraft Cable and Ceiling Anchors.

System	Type	Finish
CSDM	CA	SN
CSDM Cirrus Suspension Modular Downlight	CA End Cap	BK Black Powder Paint BZ Antique Bronze CH Chrome SA Satin Aluminum SN Satin Nickel WH White

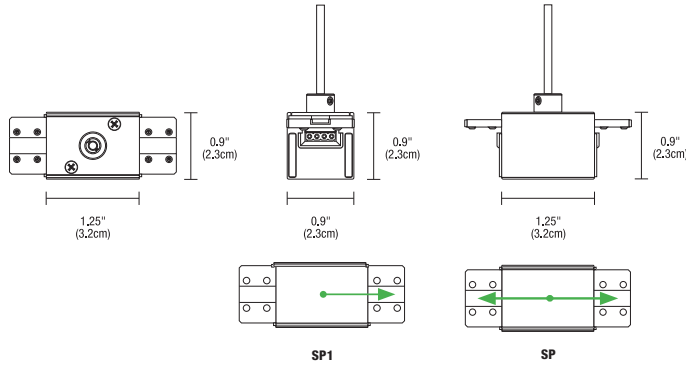

JOINING CONNECTOR

Joining Connector joins two sections of Cirrus Suspension Modular Downlight in straight runs. It is electrically powered from the previous Channel (JC) or isolates the power (JNC). Includes 12' of Adjustable Aircraft Cable and Ceiling Anchors.

System	Type	Finish
CSDM	JC	SN
CSDM Cirrus Suspension Modular Downlight	JC Conductive Joiner Connector JNC Non-Conductive Joiner Connector	BK Black Powder Paint BZ Antique Bronze CH Chrome SA Satin Aluminum SN Satin Nickel WH White

PROJECT	FIXTURE TYPE	DATE
---------	--------------	------

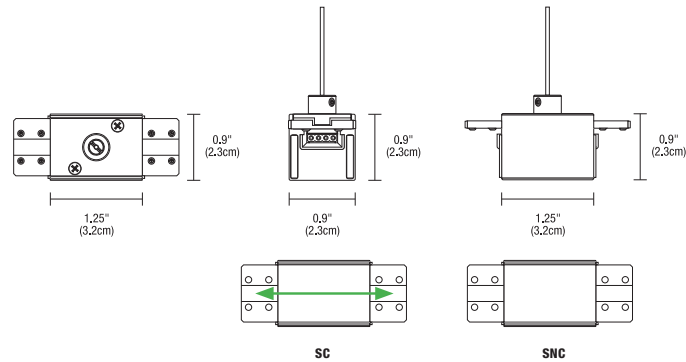
COMPONENTS Straight Connectors



STRAIGHT POWER CONNECTOR WITH CANOPY

Straight Power Connector joins two sections of Cirrus Suspension Modular Downlight Channels, for creating endless linear lighting configurations. It re-feeds the power to one section (**SP1**); or functions as a Center Power Feed (**SP**), electrically powering two sections. For a Remote Power Supply choose a 2" or 4" Canopy, for Surface Mount Power Supply and no Canopy use ordering code "EZ" (Coaxial Cable End Zero) use ordering code VR for Vanishing Point Plaster in system with No Canopy. Includes 12' of Coaxial Power Cable, which easily adjusts at Canopy with a Push-In Grip Jack Connector.

System	Type	Power Canopy	Finish
CSDM	SP	2RT	SN
CSDM Cirrus Suspension Modular Downlight	SP Straight Power Connector Conductive in 2 Sections SP1 Straight Power Connector Conductive in 1 Section	2RT 2.8" Round Canopy w/ Two Pair Wire for 2K4K 2ST 2.8" Square Canopy w/ Two Pair Wire for 2K4K 4RT 4.6" Round Canopy w/ Two Pair Wire for 2K4K 4ST 4.6" Square Canopy w/ Two Pair Wire for 2K4K VRT Vanishing Point Plaster in system with No Canopy w/ Two Pair Wire for 2K4K EZ No Canopy, for use with Surface Mount Power Supply, (Order Separately)	BK Black Powder Paint CH Chrome SN Satin Nickel WH White



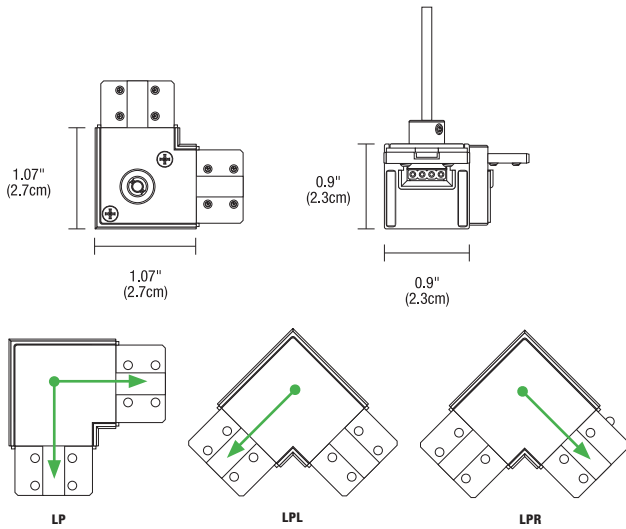
STRAIGHT CONNECTOR

Straight Connector joins two sections of Cirrus Suspension Modular Downlights. It is electrically powered from the previous Channel (**SC**) or isolates the Power (**SNC**). Includes 12' of Adjustable Aircraft Cable and Ceiling Anchors.

System	Canopy	Finish
CSDM	SC	SN
CSDM Cirrus Suspension Modular Downlight	SC Conductive Straight Connector SNC Non-Conductive Straight Connector	BK Black Powder Paint CH Chrome SN Satin Nickel WH White

PROJECT	FIXTURE TYPE	DATE
---------	--------------	------

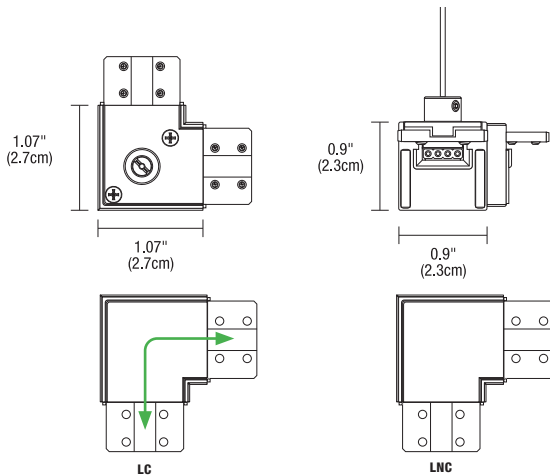
COMPONENTS L-Shaped Connectors



L-SHAPED POWER CONNECTOR WITH CANOPY

L-Shaped Power Connector joins two sections of Cirrus Suspension Modular Downlight at 90°. It electrically powers either the left section (**LPL**), right section (**LPR**) or both sections (**LP**). For a Remote Power Supply choose a 2" or 4" Canopy, for Surface Mount Power Supply and no Canopy use ordering code "EZ" (Coaxial Cable End Zero) use ordering code VR for Vanishing Point Plaster in system with No Canopy. Includes 12' of Coaxial Power Cable, which easily adjusts at the Canopy with a Push-In Grip Jack Connector.

System	Type	Canopy	Finish
CSDM	LP	2RT	SN
CSDM Cirrus Suspension Modular Downlight	LP L-Shaped Power Connector, Conductive on 2 Sections LPL L-Shaped Power Connector, Conductive on Left Section LPR L-Shaped Power Connector, Conductive on Right Section	2RT 2.8" Round Canopy w/ Two Pair Wire for 2K4K 2ST 2.8" Square Canopy w/ Two Pair Wire for 2K4K 4RT 4.6" Round Canopy w/ Two Pair Wire for 2K4K 4ST 4.6" Square Canopy w/ Two Pair Wire for 2K4K VRT Vanishing Point Plaster in system with No Canopy w/ Two Pair Wire for 2K4K EZ No Canopy, for use with Surface Mount Power Supply, (Order Separately)	BK Black Powder Paint CH Chrome SN Satin Nickel WH White



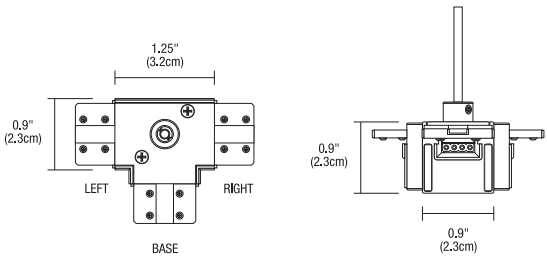
L-SHAPED CONNECTOR

L-Shaped Connector joins two sections of Cirrus Suspension Modular Downlight at 90°, conducting the power (**LC**) or isolating the power (**LNC**). Includes 12' of Adjustable Aircraft Cable and Ceiling Anchors.

System	Canopy	Finish
CSDM	LC	SN
CSDM Cirrus Suspension Modular Downlight	LC L-Shaped Conductive Connector LNC L-Shaped Non-Conductive Connector	BK Black Powder Paint CH Chrome SN Satin Nickel WH White

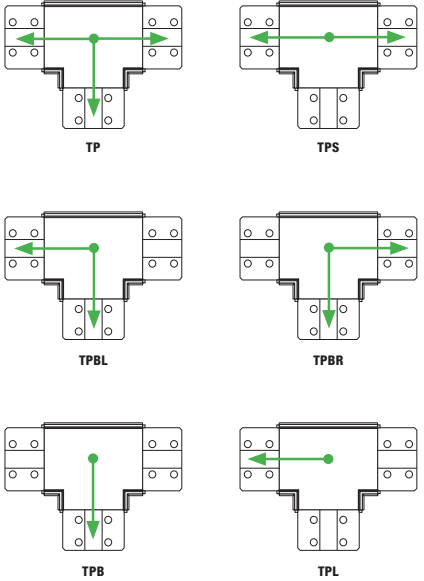
PROJECT	FIXTURE TYPE	DATE
---------	--------------	------

COMPONENTS T-Shaped Connectors

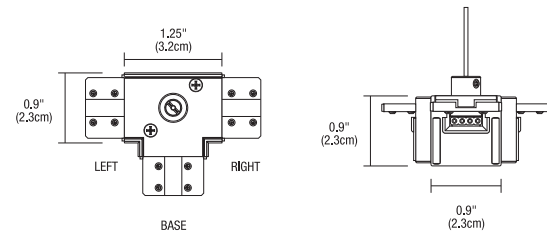


T-SHAPED POWER CONNECTOR WITH CANOPY

T-Shaped Power Connector joins three sections of Cirrus Suspension Modular Downlight at 90°. It electrically conducts the power from a Remote Power Supply to section(s): all sections (**TP**), straight left to right (**TPS**), base to left (**TPBL**), base to right (**TPBR**), left (**TPL**) or right (**TPR**). For a Remote Power Supply choose a 2" or 4" Canopy, for Surface Mount Power Supply and no Canopy use ordering code "EZ" (Coaxial Cable End Zero) use ordering code VR for Vanishing Point Plaster in system with No Canopy. Includes 12' of Coaxial Power Cable, which easily adjusts at the Canopy with a Push-In Grip Jack Connector.

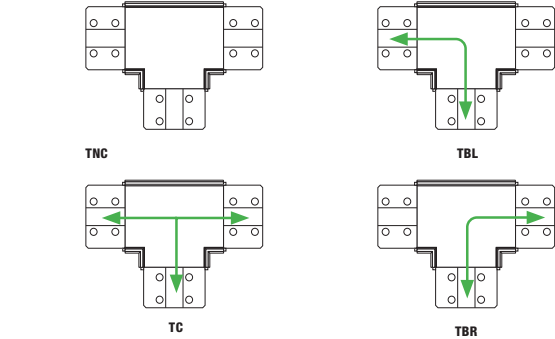


System	Type	Canopy	Finish
CSDM	TP	2RT	SN
CSDM Cirrus Suspension Modular Downlight	TP T-Shaped Power Connector, Conductive on 3 Sections TPS T-Shaped Connector, Conductive through Left & Right Sections TPBL T-Shaped Power Connector, Conductive on Base & Left Sections TPBR T-Shaped Power Connector, Conductive on Base & Right Sections TPB T-Shaped Power Connector, Conductive on Base TPL T-Shaped Power Connector, Conductive on Left Section TPR T-Shaped Power Connector, Conductive on Right Section	2RT 2.8" Round Canopy w/ Two Pair Wire for 2K4K 2ST 2.8" Square Canopy w/ Two Pair Wire for 2K4K 4RT 4.6" Round Canopy w/ Two Pair Wire for 2K4K 4ST 4.6" Square Canopy w/ Two Pair Wire for 2K4K VRT Vanishing Point Plaster in system with No Canopy w/ Two Pair Wire for 2K4K EZ No Canopy, for use with Surface Mount Power Supply, (Order Separately)	BK Black Powder Paint SN Satin Nickel WH White



T-SHAPED CONNECTOR

Joins three sections of Cirrus Suspension Modular at 90°. Isolates the power of each section (**TNC**); or electrically conducts the power to section(s): all sections (**TC**), base to left section (**TBL**), base to right section (**TBR**) or straight from left to right section (**TS**). Includes 12' of Adjustable Aircraft Cable and Ceiling Anchors.



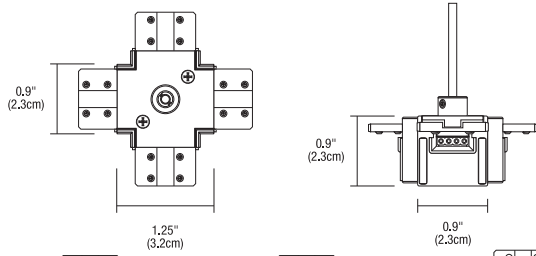
System	Type	Finish
CSDM	TC	SN
CSDM Cirrus Suspension Modular Downlight	TC T-Shaped Conductive Connector TNC T-Shaped Non-Conductive Connector TBL T-Shaped Connector, Conductive on Base & Left Sections TBR T-Shaped Connector, Conductive on Base & Right Sections TS T-Shaped Connector, Conductive Straight through Left & Right Sections	BK Black Powder Paint SN Satin Nickel WH White

PROJECT	FIXTURE TYPE	DATE
---------	--------------	------

CIRRUS LED SUSPENSION

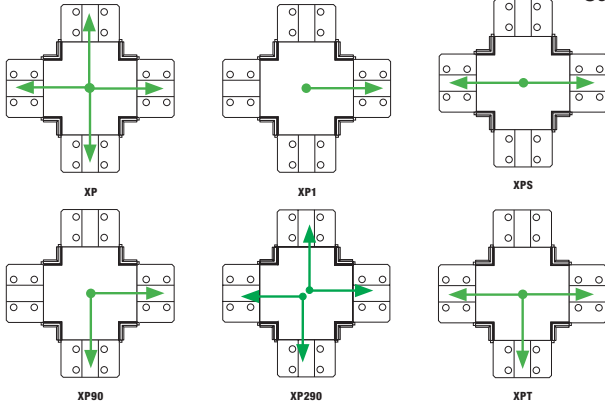
DOWNLIGHT MODULAR, DYNAMIC TUNABLE WHITE 2K4K

COMPONENTS X-Shaped Connectors

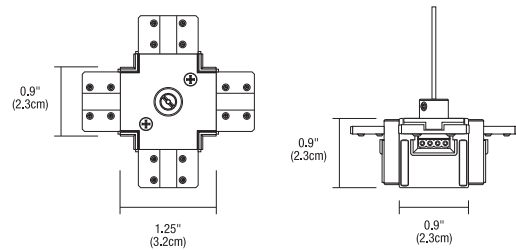


X-SHAPED POWER CONNECTOR WITH CANOPY

X-Shaped Power Connector joins four sections of Cirrus Suspension Modular Downlight at 90° apart. It electrically conducts the power from a Remote Power Supply to section(s): all sections (**XP**), one section (**XP1**), straight through two sections (**XPS**), two sections with 90° turn (**XP90**), four sections with two 90° turns (**XP290**) or in a T-Shaped section (**XPT**). For a Remote Power Supply choose a 2" or 4" Canopy, for Surface Mount Power Supply and no Canopy use ordering code "EZ" (Coaxial Cable End Zero) use ordering code VR for Vanishing Point Plaster in system with No Canopy. Includes 12' of Coaxial Power Cable, which easily adjusts at the Canopy with a Push-In Grip Jack Connector.

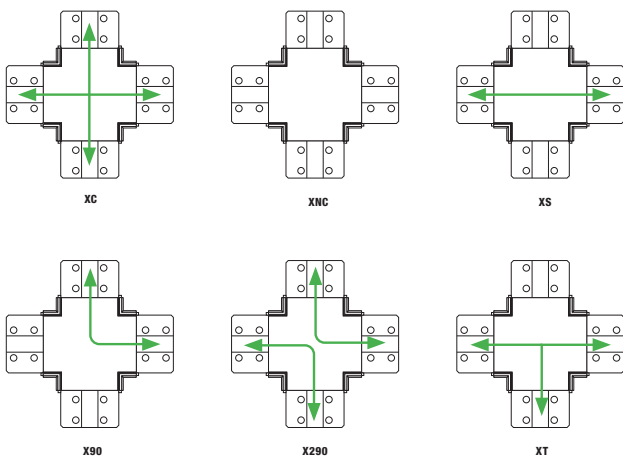


System	Type	Canopy	Finish
CSDM	XP	2RT	SN
CSDM Cirrus Suspension Modular Downlight	XP X-Shaped Power Connector, Conductive on 4 Sections XP1 X-Shaped Power Connector, Conductive on 1 Section XPS X-Shaped Power Connector, Conductive Straight through 2 Sections XP90 X-Shaped Power Connector, Conductive on 2 Sections, Power in Corner XP290 X-Shaped Power Connector, Conductive on 4 Sections, Power in Corner XPT X-Shaped Power Connector, Conductive on 3 Sections	2RT 2.8" Round Canopy w/ Two Pair Wire for 2K4K 2ST 2.8" Square Canopy w/ Two Pair Wire for 2K4K 4RT 4.6" Round Canopy w/ Two Pair Wire for 2K4K 4ST 4.6" Square Canopy w/ Two Pair Wire for 2K4K VRT Vanishing Point Plaster in system with No Canopy w/ Two Pair Wire for 2K4K EZ No Canopy, for use with Surface Mount Power Supply, (Order Separately)	BK Black Powder Paint SN Satin Nickel WH White



X-SHAPED CONNECTOR

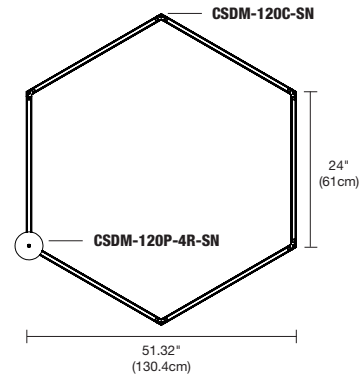
X-Shaped Connector joins 4 sections of Cirrus Suspension Modular Downlight at 90°. It isolates the power of each section (**XNC**); or electrically conducts the power to section(s): all sections (**XC**), straight through two sections (**XS**), two sections with 90° turn (**X90**), four sections with two 90° turns (**X290**) or in a T-Shaped section (**XT**). Includes 12' of Adjustable Aircraft Cable and Ceiling Anchors.



System	Type	Finish
CSDM	XC	SN
CSDM Cirrus Suspension Modular Downlight	XC X-Shaped Conductive Connector XNC X-Shaped Non-Conductive Connector XS X-Shaped Connector, Conductive Straight through 2 Sections X90 X-Shaped Connector, Conductive on 2 Sections, 90° Turn X290 X-Shaped Connector, Conductive on 4 Sections, (2) 90° Turn XT X-Shaped Connector, Conductive on 3 Sections	BK Black Powder Paint SN Satin Nickel WH White

PROJECT	FIXTURE TYPE	DATE
---------	--------------	------

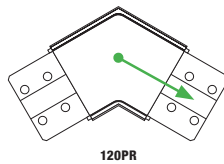
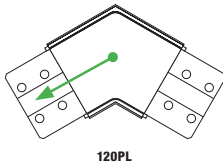
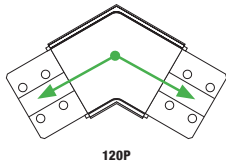
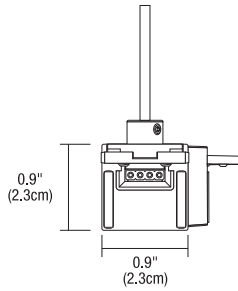
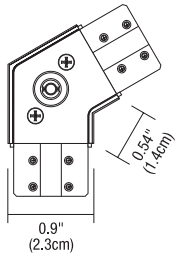
COMPONENTS 120° Connectors



HEXAGON CONFIGURATION, 120° CONNECTORS Use 120P and 120C to design any size from 25"-25'

120° POWER CONNECTOR WITH CANOPY

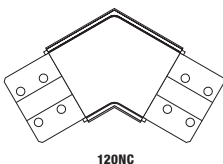
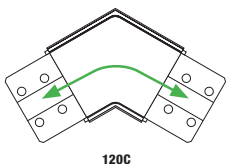
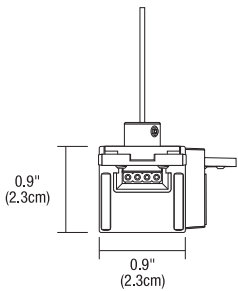
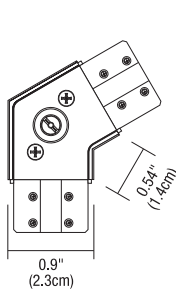
120° Power Connector joins two sections of Cirrus Suspension Modular Downlight at 120° apart. It electrically conducts the power from a Remote Power Supply to section(s): all sections (**120P**), the left section (**120PL**) or right section (**120PR**). For a Remote Power Supply choose a 2" or 4" Canopy, for Surface Mount Power Supply and no Canopy use ordering code "EZ" (Coaxial Cable End Zero) use ordering code VR for Vanishing Point Plaster in system with No Canopy. Includes 12' of Coaxial Power Cable, which easily adjusts at the Canopy with a Push-In Grip Jack Connector.



System	Type	Canopy	Finish
CSDM	120P	2RT	SN
CSDM Cirrus Suspension Modular Downlight	120P 120° Power Connector 120PL 120° Power Connector, Conductive on Left Sections 120PR 120° Power Connector, Conductive on Right Sections	2RT 2.8" Round Canopy w/ Two Pair Wire for 2K4K 2ST 2.8" Square Canopy w/ Two Pair Wire for 2K4K 4RT 4.6" Round Canopy w/ Two Pair Wire for 2K4K 4ST 4.6" Square Canopy w/ Two Pair Wire for 2K4K VRT Vanishing Point Plaster in system with No Canopy w/ Two Pair Wire for 2K4K EZ No Canopy, for use with Surface Mount Power Supply, (Order Separately)	BK Black Powder Paint CH Chrome SN Satin Nickel WH White

120° CONNECTOR

120° Connector joins two sections of Cirrus Suspension Modular Downlight at 120° apart, conducting the power to all sections (**120C**) or isolating the power (**120NC**). Includes 12' of Adjustable Aircraft Cable and Ceiling Anchors.

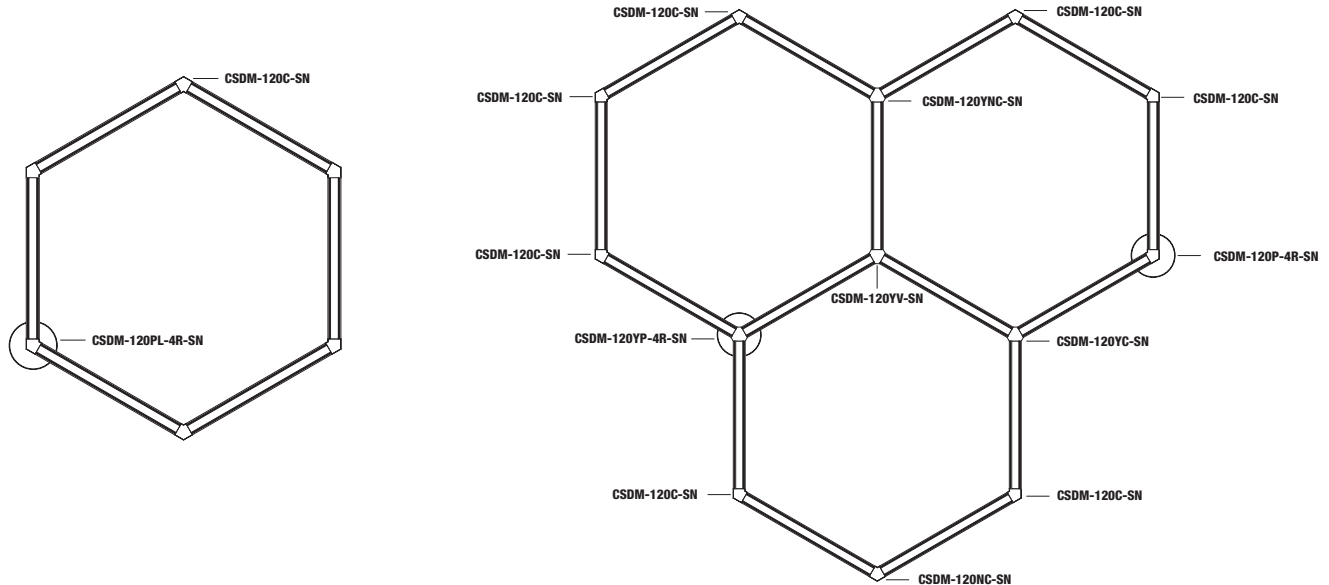


System	Type	Finish
CSDM	120C	SN
CSDM Cirrus Suspension Modular Downlight	120C 120° Connector 120NC 120° Non-Conductive Connector	BK Black Powder Paint CH Chrome SN Satin Nickel WH White

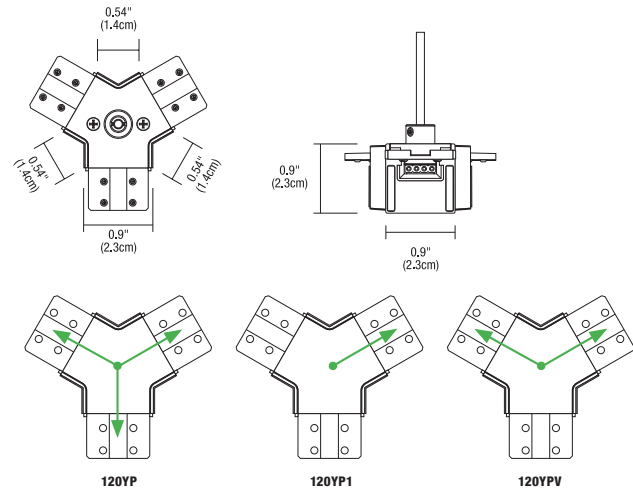
PROJECT	FIXTURE TYPE	DATE
---------	--------------	------

Components: 120 Degree Connectors

Indicates 24VDC Power Flow



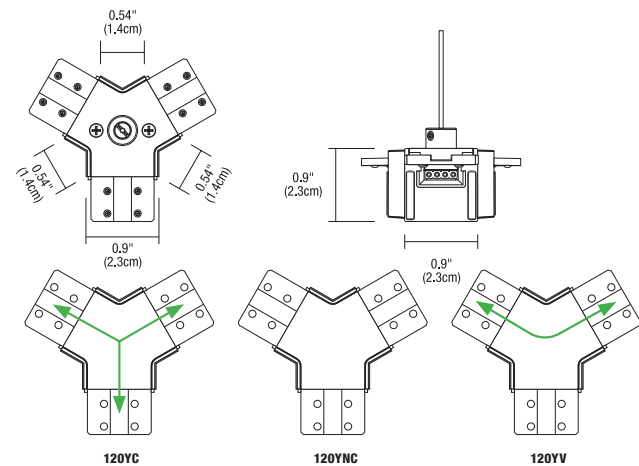
HONEYCOMB CONFIGURATION, 120° CONNECTORS Use 120YP, 120P, 120YC, and 120C to design any size from 25"-25'



120° Y-SHAPED POWER CONNECTOR WITH CANOPY

120° Y-Shaped Power Connector joins and powers three sections of Cirrus Suspension Modular Downlight at 120° apart. It electrically conducts the power from a Remote Power Supply to section(s): all sections (**120YP**), one section (**120YP1**) or two sections (**120YPV**). For a Remote Power Supply choose a 2" or 4" Canopy, for Surface Mount Power Supply and no Canopy use ordering code "EZ" (Coaxial Cable End Zero) use ordering code VR for Vanishing Point Plaster in system with No Canopy. Includes 12' of Coaxial Power Cable, which easily adjusts at Canopy with a Push-In Grip Jack Connector.

System	Type	Canopy	Finish
CSDM	120P	2RT	SN
CSDM Cirrus Suspension Modular Downlight	120YP 120° Y-Shaped Power Connector 120YP1 120° Y-Shaped Power Connector, Conductive 1 Section 120YPV 120° Y-Shaped Power Connector, Conductive 2 Sections	2RT 2.8" Round Canopy w/ Two Pair Wire for 2K4K 2ST 2.8" Square Canopy w/ Two Pair Wire for 2K4K 4RT 4.6" Round Canopy w/ Two Pair Wire for 2K4K 4ST 4.6" Square Canopy w/ Two Pair Wire for 2K4K VRT Vanishing Point Plaster in system with No Canopy w/ Two Pair Wire for 2K4K EZ No Canopy, for use with Surface Mount Power Supply, (Order Separately)	BK Black Powder Paint CH Chrome SN Satin Nickel WH White

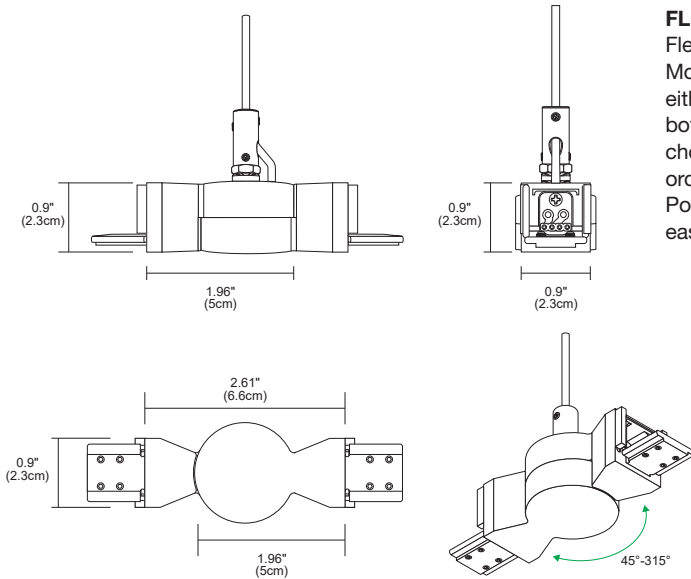


120° Y-SHAPED CONNECTOR

120° Y-Shaped Connector joins three sections of Cirrus Suspension Modular Downlight at 120° apart. It isolates the power of each section (**120YNC**); or electrically conducts the power to section(s): all sections (**120YC**) or straight through two sections (**120YV**). Includes 12' of Adjustable Aircraft Cable and Ceiling Anchors.

System	Type	Finish
CSDM	120C	SN
CSDM Cirrus Suspension Modular Downlight	120YC 120° Y-Shaped Conductive Connector 120YNC 120° Y-Shaped Non-Conductive Connector 120YV 120° Y-Shaped Conductive Straight through 2 Sections	BK Black Powder Paint CH Chrome SN Satin Nickel WH White

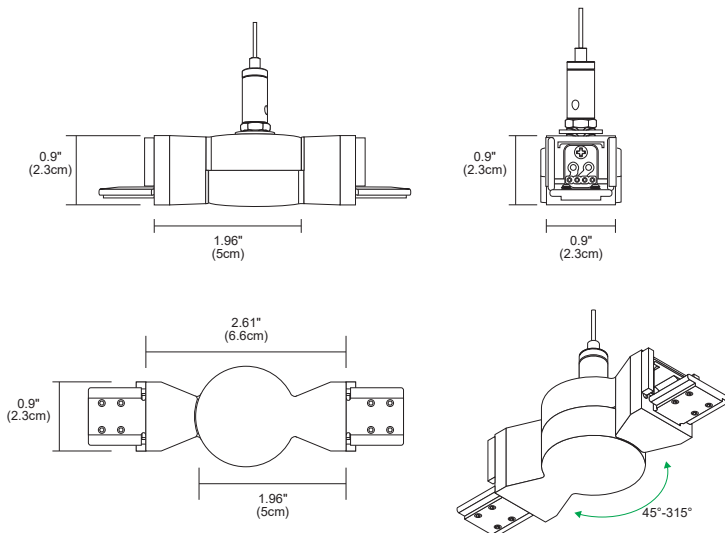
PROJECT	FIXTURE TYPE	DATE
---------	--------------	------



FLEXIBLE HORIZONTAL POWER WITH CANOPY

Flexible Horizontal Power Connector joins two sections of Cirrus Suspension Modular Downlight at any horizontal angle from 45°-315°. It electrically powers either 1 section (LP1-FXH), both sections from one Power Supply (LP-FXH), or both sections from two Power Supplies (LPD-FXH.) For a Remote Power Supply choose a 2" or 4" Canopy, for Surface Mount Power Supply and no Canopy use ordering code "EZ" (Coaxial Cable End Zero) use ordering code VR for Vanishing Point Plaster in system with No Canopy. Includes 12' of Coaxial Power Cable, which easily adjusts at the Canopy with a Push-In Grip Jack Connector

System	Type	Canopy	Finish
CSDM	LP-FXH	2RT	SN
CSDM Cirrus Suspension Modular Downlight	LP-FXH Flexible Horizontal Power Conductive Connector LP1-FXH Flexible Horizontal Power Connector, Conductive on 1 Section Flexible Horizontal Power Connector, LPD-FXH Conductive on 2 Sections (Dual Feed)	2RT 2.8" Round Canopy w/ Two Pair Wire for 2K4K 2ST 2.8" Square Canopy w/ Two Pair Wire for 2K4K 4RT 4.6" Round Canopy w/ Two Pair Wire for 2K4K 4ST 4.6" Square Canopy w/ Two Pair Wire for 2K4K VRT Vanishing Point Plaster in system with No Canopy w/ Two Pair Wire for 2K4K EZ No Canopy, for use with Surface Mount Power Supply, (Order Separately)	SN Satin Nickel



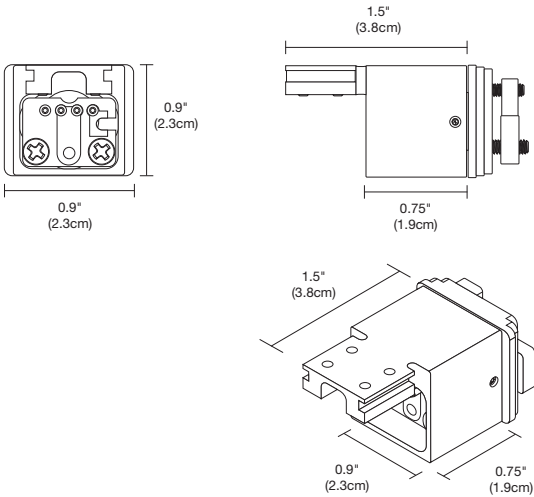
FLEXIBLE HORIZONTAL CONNECTOR

Flexible Horizontal Connector joins two sections of Cirrus Suspension Modular Downlight at any horizontal angle from 45°-315°. It is electrically powered from the previous channel (**LC-FXH**) or isolates the power (**LNC-FXH**). Includes 12' of adjustable Aircraft Cable and Ceiling Anchors.

System	Type	Finish
CSDM	LC-FXH	SN
CSDM Cirrus Suspension Modular Downlight	LC-FXH Flexible Horizontal Conductive Connector LNC-FXH Flexible Horizontal Non-Conductive Connector	SN Satin Nickel

PROJECT	FIXTURE TYPE	DATE
---------	--------------	------

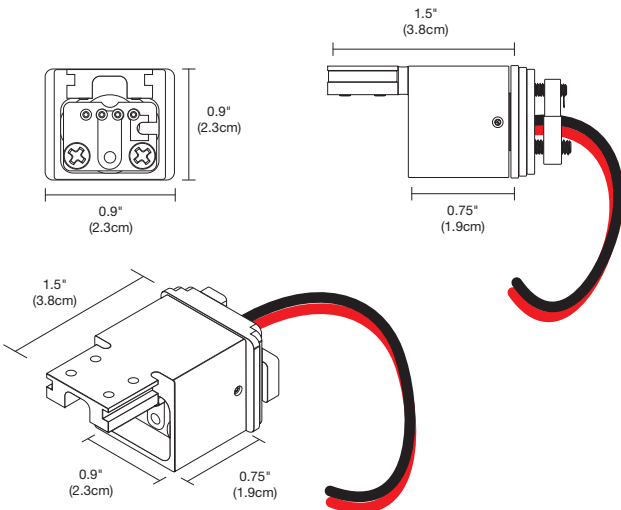
COMPONENTS In & Out Connectors allow for lighting designs using both Cirrus Modular and TruLine .5A



TRULINE .5A IN & OUT CONNECTOR TO CIRRUS MODULAR CEILING & SUSPENSION

TruLine .5A In & Out Connector joins the end of Cirrus Modular Ceiling or Suspension systems to PureEdge Lighting's TruLine .5A recessed extrusion (not conductive).

System	Type	Finish
TL.5A-IO-CIR-D1	CA	SN
TL.5A-IO-CIR-D1 TruLine .5A to Cirrus Modular Ceiling & Suspension	CA End Cap	SN Satin Nickel CH Chrome BK Black WH White



TRULINE .5A IN & OUT POWER CONNECTOR TO CIRRUS MODULAR CEILING & SUSPENSION

TruLine .5A In & Out Power Connector joins and provides power from the end of Cirrus Suspension Modular systems to PureEdge Lighting's TruLine .5A recessed extrusion.

System	Type	Finish
TL.5A-IO-CIR-D1	CAP	SN
TL.5A-IO-CIR-D1 TruLine .5A to Cirrus Modular Ceiling & Suspension	CAP End Cap Power	SN Satin Nickel CH Chrome BK Black WH White

PROJECT	FIXTURE TYPE	DATE
---------	--------------	------

GRIP JACK SUSPENSION CANOPIES WITH POWER SUPPLIES For 24VDC Static White and Warm Dim LEDs

GRIP JACK SUSPENSION CANOPIES WITH POWER SUPPLIES					
ORDERING CODE	GSP-RM-2RD-1P-50-ELV- GSP-RM-2SQ-1P-50-ELV- 	GSP-NC-2RD-1P-50-ELV- GSP-NC-2SQ-1P-50-ELV- 	GSP-4RD-1P-50-ELV- GSP-4SQ-1P-50-ELV- 	GSP-5SQ-1P-60-ELV- 	GSP-5SQ-2P-2X60-ELV-
	SPECIFICATIONS				
DESCRIPTION	Grip Jack Suspension 2.68" Canopy with Remodel Plaster Plate and 50W Power Supply that fits in Junction Box with 1-Port Power Feed	Grip Jack Suspension 2.68" Canopy with New Construction 2" Plaster Ring and 50W Power Supply that fits in Junction Box, with 1-Port Power Feed	Grip Jack Suspension Canopy with Remodel 4.6" Canopy and 50W Power Supply that fits in existing Junction Box with 1-Port Power Feed	60W Grip Jack Suspension 5" Square Surface Mount Canopy with 1-Port Feed	2x60W Grip Jack Suspension 5" Square Surface Mount Canopy with 2-Port Feed
MAXIMUM LOAD	60W-NON IC, 50W-IC (FITS IN J-BOX)	60W-NON IC, 50W-IC (FITS IN J-BOX)	60W-NON IC, 50W-IC (FITS IN J-BOX)	60W	2X60W
INPUT VOLTAGE	120VAC	120VAC	120VAC	120VAC	120VAC
OUTPUT VOLTAGE	24VDC	24VDC	24VDC	24VDC	24VDC
DIMENSIONS	2.68" x 2.68" x .1"	2.68" x 2.68" x .1"	4.6" x 4.6" x .2"	5.5" X 5.5" X 1.5"	5.5" X 5.5" X 1.5"
FINISH	BK, CH, SN, WH	BK, CH, SN, WH	BK, CH, SN, WH	BK, CH, SN, WH	BK, CH, SN, WH
CLASSIFICATION	CLASS 2	CLASS 2	CLASS 2	CLASS 2	CLASS 2
MOUNTING	REMODEL CONSTRUCTION, POWER SUPPLY RECESSED IN J-BOX	NEW CONSTRUCTION, POWER SUPPLY RECESSED IN J-BOX	REMODEL CONSTRUCTION, POWER SUPPLY RECESSED IN J-BOX	SURFACE MOUNT	SURFACE MOUNT
EFFICIENCY	85%	85%	85%	85%	85%
SHORT CIRCUIT PROTECTION	YES	YES	YES	YES	YES
OVER TEMPERATURE PROTECTION	YES	YES	YES	YES	YES
WORKING TEMPERATURE	-30°C TO 90°C	-30°C TO 90°C	-30°C TO 90°C	-30°C TO 90°C	-30°C TO 90°C
DIMMING & CONTROLS					
LUTRON DIVA: DVELV-300P	•	•	•	•	•
LUTRON SKYLARK: SELV-300P	•	•	•	•	•
LUTRON RADIO RA2: RRD-6NA	N/A	N/A	N/A	•	•
LUTRON MAESTRO: MAELV-600	•	•	•	•	•
LEGRAND ADORNE: ADTP-703TUM4	N/A	N/A	N/A	•	•




GRIP JACK SUSPENSION CANOPIES WITH POWER SUPPLIES CONT'D					
ORDERING CODE	GSP-5SQ-1DP-2X60-ELV- 	GSP-6SQ-1P-100-ELV- GSP-6SQ-1P-150-ELV- 	GSP-6SQ-2P-2X100-ELV- GSP-6SQ-2P-2X150-ELV- 	GSP-6SQ-1DP-2X100-ELV- GSP-6SQ-1DP-2X150-ELV- 	GSP-6SQ-1P-200-ELV-
	SPECIFICATIONS				
DESCRIPTION	2x60W Grip Jack Suspension 5" Square Surface Mount Canopy with 2-Port Feed used with Nova Up/Down	100W or 150W Grip Jack Suspension 6" Square Surface Mount Canopy with 1-Port Feed	2x100W or 2x150W Grip Jack Suspension 6" Square Surface Mount Canopy with 2-Port Feed	2x100W or 2x150W Grip Jack Suspension 6" Square Surface Mount Canopy with Dual-Port Feed	200W Grip Jack Suspension 6" Square Surface Mount Canopy with 1-Port Feed
MAXIMUM LOAD	2X60W	100W OR 150W	2X100W OR 2X150W	2X100W OR 2X150W	200W
INPUT VOLTAGE	120VAC	120VAC	120VAC	120VAC	120VAC
OUTPUT VOLTAGE	24VDC	24VDC	24VDC	24VDC	24VDC
DIMENSIONS	5.5" X 5.5" X 1.5"	6.5" X 6.5" X 1.875"	6.5" X 6.5" X 1.875"	6.5" X 6.5" X 1.875"	6.5" X 6.5" X 1.875"
FINISH	BK, CH, SN, WH	BK, CH, SN, WH	BK, CH, SN, WH	BK, CH, SN, WH	BK, CH, SN, WH
CLASSIFICATION	CLASS 2	100W CLASS 2 150W UL2108	100W CLASS 2 150W UL2108	100W CLASS 2 150W UL2108	UL2108
MOUNTING	SURFACE MOUNT	SURFACE MOUNT	SURFACE MOUNT	SURFACE MOUNT	SURFACE MOUNT
EFFICIENCY	85%	85%	85%	85%	85%
SHORT CIRCUIT PROTECTION	YES	YES	YES	YES	YES
OVER TEMPERATURE PROTECTION	YES	YES	YES	YES	YES
WORKING TEMPERATURE	-30°C TO 90°C	-30°C TO 90°C	-30°C TO 90°C	-30°C TO 90°C	-30°C TO 90°C
DIMMING & CONTROLS					
LUTRON DIVA: DVELV-300P	•	•	•	•	•
LUTRON SKYLARK: SELV-300P	•	•	•	•	•
LUTRON RADIO RA2: RRD-6NA	•	•	•	•	•
LUTRON MAESTRO: MAELV-600	•	•	•	•	•
LEGRAND ADORNE: ADTP-703TUM4	•	•	•	•	•

PROJECT		FIXTURE TYPE		DATE	
---------	--	--------------	--	------	--

CIRRUS LED SUSPENSION

DOWNLIGHT MODULAR, DYNAMIC TUNABLE WHITE 2K4K

GRIP JACK SUSPENSION CANOPIES WITH POWER SUPPLIES (USE WITH "EZ" ORDERING CODE)*

ORDERING CODE	GSP-12RE-1P-60-010-SN	GSP-26RE-2P-60-010-SN	GSP-26RE-1P-100-010-SN	GSP-26RE-2P-2X100-010-SN
				
SPECIFICATIONS				
DESCRIPTION	12" x 5" Surface Mount Power Canopy with a 60 Watt, 0-10V Power Supply & 1-Port Feed	26" x 5" Surface Mount Power Canopy with two 60 Watt, 0-10V Power Supply & 2-Port Feed	26" X 5" Surface Mount Power Canopy with a 100 Watt, 0-10V Power Supply & 1-Port Feed	26" X 5" Surface Mount Power Canopy with a 2x100 watt, 0-10V Power Supply & 1-Port Feed
MAXIMUM LOAD	60W	2X60W, 120 MAX.	100W	2x100W
INPUT VOLTAGE	120VAC	120-277VAC	120-277VAC	120-277VAC
OUTPUT VOLTAGE	24VDC	24VDC	24VDC	24VDC
DIMENSIONS	12" X 5" CANOPY, 13" X 6" COVER PLATE	26" X 5" CANOPY, 13" X 6" COVER PLATE	26" X 5" CANOPY, 27" X 6" COVER PLATE	26" X 5" CANOPY, 27" X 6" COVER PLATE
FINISHES	BK, CH, SN, WH	BK, CH, SN, WH	BK, CH, SN, WH	BK, CH, SN, WH
MOUNTING	SURFACE MOUNT CANOPY	SURFACE MOUNT CANOPY	SURFACE MOUNT CANOPY	SURFACE MOUNT CANOPY
EFFICIENCY	90%	90%	90%	90%
SHORT CIRCUIT PROTECTION	YES	YES	YES	YES
WORKING TEMPERATURE	-30°C TO 90°C	-30°C TO 90°C	-30°C TO 90°C	-30°C TO 90°C
DIMMING & CONTROLS				
PHILIPS SUNRISE: SR1200ZTUNV	•	•	•	•
LUTRON DIVA: DVTV-WH	•	•	•	•
LUTRON NOVA T: NTSTV-DV-XX	•	•	•	•
LUTRON GRAFIX EYE QS: QSGRJ-XP	•	•	•	•
LUTRON RADIO RA2: RRD-10ND	•	•	•	•
LEVITON: LEV40050	•	•	•	•
LEVITON IP710-LFZ	•	•	•	•
LEGRAND: ADPD4FBL3P2W4	•	•	•	•

*Electrical Panels using Seimens/Murray AFCI breakers are not compatible with this ELV transformer. Use 0-10 Volt power supplies with this breaker

PROJECT		FIXTURE TYPE		DATE	
---------	--	--------------	--	------	--

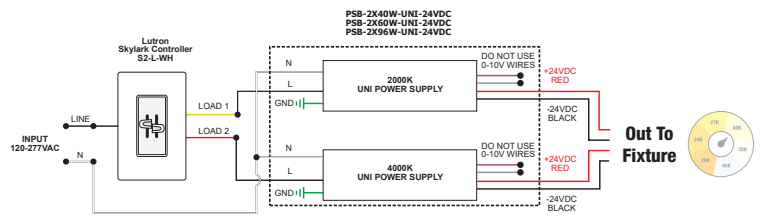
UNIVERSAL POWER SUPPLIES & RECOMMENDED DIMMERS [†]				
ORDERING CODE	PSB-2X40W-UNI-24VDC	PSB-2X60W-UNI-24VDC	PSB-2X96W-UNI-24VDC	PSB-4X96W-UNI-24VDC
SPECIFICATIONS				
MAXIMUM LOAD	2X40W	2X60W	2X96W	4X96W
INPUT VOLTAGE	120-277VAC	120-277VAC	120-277VAC	120-277VAC
OUTPUT VOLTAGE	24VDC	24VDC	24VDC	24VDC
DIMENSIONS	12.15" X 6.48" X 2.18"	12.15" X 6.48" X 2.18"	12.15" X 6.48" X 2.18"	17" X 13" X 3"
CLASSIFICATION	CLASS 2	CLASS 2	CLASS 2	CLASS 2
IN-WALL MOUNTING	PSB-2X40W-UNI-24VDC-IW	PSB-2X60W-UNI-24VDC-IW	PSB-2X96W-UNI-24VDC-IW	NA
ELV DIMMING & CONTROLS				
LUTRON DIVA: DVELV-300P	•	•	•	•
LUTRON SKYLARK: SELV-300P	•	•	•	•
LUTRON RADIO RA2: RRD-6NA	•	•	•	•
LUTRON MAESTRO: MAELV-600	•	•	•	•
LEGRAND ADRNE: ADTP-703TUM4	•	•	•	•
0-10 DIMMING & CONTROLS				
PHILIPS SUNRISE: SR1200ZTUNV	•	•	•	•
LUTRON DIVA: DVTW-WH, DVSTV-WH	•	•	•	•
LUTRON NOVA T: NTSTV-DV-XX	•	•	•	•
LUTRON GRAFIK EYE QS: QSGRJ-XP	•	•	•	•
LUTRON RADIO RA2: RRD-10ND	•	•	•	•
LEVITON: LEV40050	•	•	•	•
LEVITON IP710-LFZ	•	•	•	•
LEGRAND: ADPD4FBL3P2W4	•	•	•	•
TRIAC DIMMING & CONTROLS				
LUTRON SKYLARK: S2-L-WH	•	•	•	•
LUTRON DVLV-600P-WH	•	•	•	•
LUTRON DVLV-603P-WH	•	•	•	•
LUTRON MALV-600-WH	•	•	•	•
LUTRON MALV-1000-WH	•	•	•	•
LUTRON MA-R-XX	•	•	•	•

- Flicker free dimming
- Aluminum casing for optimal heat dissipation
- Isolated output power per NEC and UL safety requirements
- UL & ETL recognized/ listed, meets UL 8750, 1310 requirements
- Auto-reset; short circuit, overload and thermal protection
- Class 2 power supply
- Efficient, High power factor > 0.90

- The Solid State Constant Voltage Uni-Power Supply is compatible with most commercially available Dimmers:
 - Triac Dimmer: (Forward Phase) Typically used for the dimming of Incandescent and Low Voltage Magnetic Transformers
 - ELV Dimmer: (Reverse Phase) Dimming of Electronic Low Voltage Transformers and Power Supply's used for LED lighting
 - 0-10 Dimmer: Dims the Low Voltage side of a 0-10 volt power supply commonly used in large scale lighting or commercial applications.
- The Uni-Power Supply is recommended with any Siemens/Murray brand of arc fault breaker to overcome the issues with tripping the breakers with an ELV LED Low Voltage Drivers.

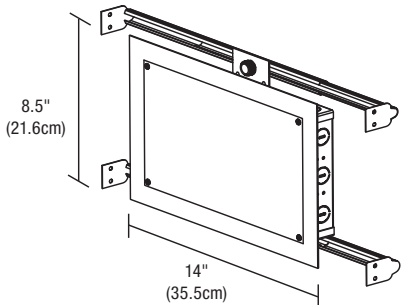
MAXIMUM LENGTH

POWER SUPPLY	5WDC - 5 WATTS	10WDC - 10 WATTS	12WDC - 12W RGBW
PSB-2X40W-UNI-24VDC	16 FEET	8 FEET	7 FEET
PSB-2X60W-UNI-24VDC	24 FEET	12 FEET	10 FEET
PSB-2X96W-UNI-24VDC	40 FEET	20 FEET	16 FEET



Configuration 1
S2-L-WH (TRIAC) Single Pole Dimming with Dual Universal Power Supplies

IN WALL MOUNTING OPTIONS



In-Wall Mounting Kit: Includes power supply, box cover and stud hangers for installing Junction Box in wall. Select "IW" in the options section of compatible power supply ordering codes if an In-Wall Mounting Kit is needed.

Ordering Codes 8.5 x 14.25 inch: PSB-2X40W-UNI-24VDC-IW, PSB-2X60W-UNI-24VDC-IW, PSB-2X96W-UNI-24VDC-IW

PROJECT		FIXTURE TYPE		DATE	
---------	--	--------------	--	------	--

LUTRON HI-LUME® PREMIER .1% ECOSYSTEM®†			
ORDERING CODES	L3D0-96W24V-U	2-WIRE ECOSYSTEM LTEA4U1UKL-CV240	3-WIRE ECOSYSTEM L3DA4U1UKL-CV240
SPECIFICATIONS			
MAXIMUM LOAD	96W	5W-40W	5W-40W
INPUT VOLTAGE	120-277VAC	120-277VAC	120-277VAC
OUTPUT VOLTAGE	24VDC	24VDC	24VDC
DIMENSIONS	10.5" X 5.5" X 2"	4" X 4.89" X 2.62"	4" X 4.89" X 2.62"
CLASSIFICATION	CLASS 2	CLASS 2	CLASS 2
DIMMING AND CONTROLS			
RADIO RA2	•	•	•
HOMEWORKS QS	•	•	•
PHPM-3F-120	•	•	•
PHPM-3F-DV	•	•	•
BCI-0-10	•	•	•

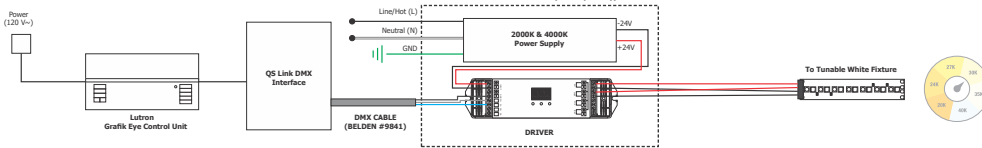
†24K - 57K color temperatures are compatible with 0-10V, ELV, and Lutron Hi-Lume® Power Supplies. Warm Dim (27D, 30D) color temperatures are only compatible with ELV power supplies.

*Tunable White (2K4K) Color Temperature is compatible with 0-10V, ELV, DMX, and Lutron Hi-Lume® Power Supplies. Dynamic Color (RGB, RGB+W) and Static Color (Amber, Blue, Green, or Red) are compatible with DMX Power Supplies.

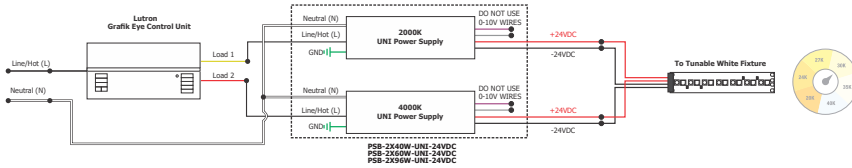
**Tunable White (2K4K) uses one or two power supplies, dependent on the controller or dimmer(s) used.

Lutron Hi-Lume® can be used in both single or dual power formats, dependent on the controller or dimmer(s). Specify amount of Power Supplies based on this.

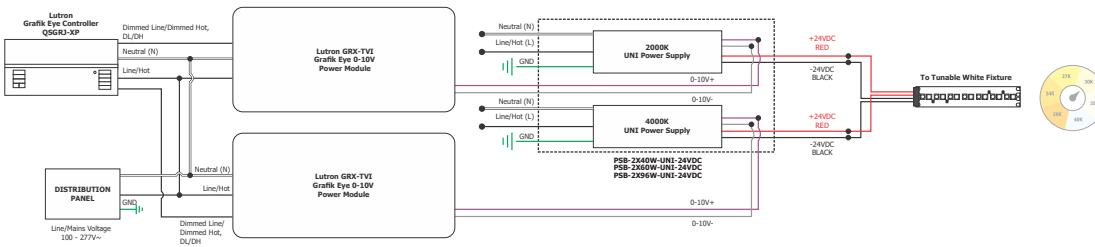
WIRING DIAGRAM: DMX Control with Lutron Grafik Eye Control Unit



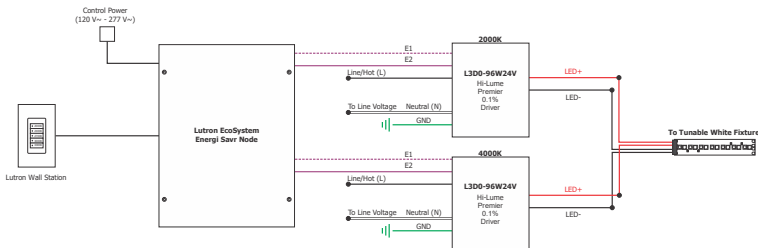
WIRING DIAGRAM: Line Voltage Dimming with Lutron Grafik Eye Control Unit



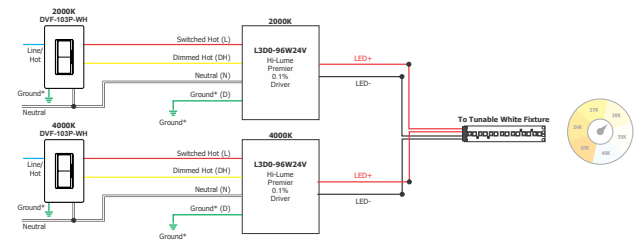
WIRING DIAGRAM: 0-10V Dimming with Lutron Grafik Eye Control Unit or Wall box controller



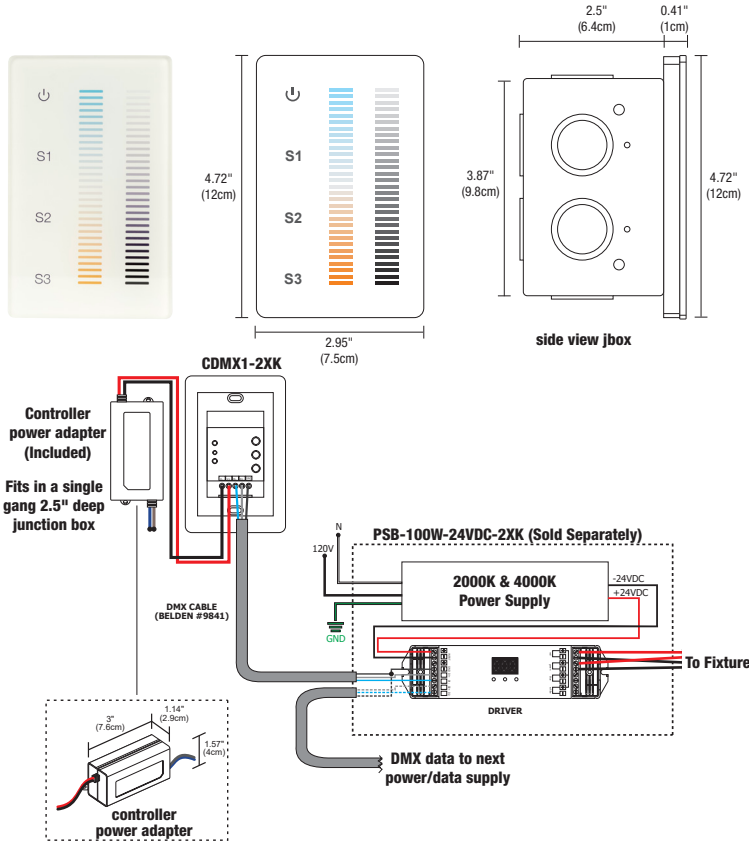
WIRING DIAGRAM: 2-Wire EcoSystem Panel



WIRING DIAGRAM: 3-Wire EcoSystem Wall Box



PROJECT	FIXTURE TYPE	DATE
---------	--------------	------



DESCRIPTION:

The Dynamic/Tunable White (**2K4K**) Touch Controller offers fast and accurate Color Temperature adjustment and the ability to regulate the Brightness Independently. The modern Glass faceplate features illuminated indicators, and a back-lit night light that softly illuminates the controller when powered off. Designed for Dynamic/Tunable White, and dual-color LED installations within a single zone. The two Vertical Touch sliders are precise and sensitive, allowing you to fine-tune your perfect Color Temperature at any point between **2000K (Sunset) to 4000K (Cool White)** while selecting over **250 levels** of Brightness in a smooth, uninterrupted transition. Create Thousands of Dynamic White Color Combinations while maintaining even Brightness and overall saturation. Easily save three pre-set scenes for different times of the day. Support health, performance, and general well-being using Human-Centric lighting by fine-tuning the biological effects that light has on the circadian cycle using the latest in LED technology. Includes a power adapter that fits behind the controller within a standard junction box and fits inside a standard single-gang receptacle (not for use in a multi-gang box). Use with an insulated, 24 AWG stranded, tinned copper wire (Belden #9841). Power Supplies are Sold Separately. Includes a 5 year pro-rated warranty.

APPLICATIONS:

Indoor

OUTPUT SIGNAL:

USITT DMX 512 (1990)

INSTALLATION:

Fits in a single gang 2.5 inch deep junction box. Not compatible with multi-gang boxes.

LABELS:

ROHS, FCC, Damp Location, ETL/UL

POWER INPUT:

120-240VAC

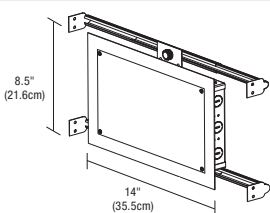
Product	Type	Finish
CDMX1	2XK	WH
CDMX1 DMX Single Zone Touch Controller	2XK 2 X Kelvin	WH White

DYNAMIC COLOR CHANGING (DMX) POWER SUPPLIES & RECOMMENDED CONTROLLERS*				
ORDERING CODE	PSB-100W-24VDC-2XK	PSB-2X100W-24VDC-2XK	PSB-3X100W-24VDC-2XK	PSB-4X100W-24VDC-2XK
SPECIFICATIONS				
MAXIMUM LOAD OF LED STRIP LENGTH	100W 5 WATTS - 20FT MAX. 10 WATTS - 10FT MAX.	2X100W 5 WATTS 2 X 20FT MAX. 10 WATTS - 2 X 10FT MAX.	3X100W 5 WATTS 3 X 20FT MAX. 10 WATTS - 3 X 10FT MAX.	4X100W 5 WATTS 4 X 20FT MAX. 10 WATTS - 4 X 10FT MAX.
INPUT VOLTAGE	120-277VAC	120-277VAC	120-277VAC	120-277VAC
OUTPUT VOLTAGE	24VDC	24VDC	24VDC	24VDC
DIMENSIONS	12.4" X 6.48" X 2.18"	14" X 10" X 3"	17" X 10" X 3"	17" X 10" X 3"
CLASSIFICATION	CLASS 2	CLASS 2	CLASS 2	CLASS 2
IN-WALL MOUNTING	PSB-100W-24VDC-2XK-IW	NA	NA	NA
DMX DYNAMIC/TUNABLE WHITE DIMMING & CONTROLS				
TUNABLE WHITE TOUCH CONTROLLER (CDMX1-2XK)	•	•	•	•

- Flicker free dimming
- Aluminum casing for optimal heat dissipation
- Isolated output power per NEC and UL safety requirements
- UL & ETL recognized/ listed, meets UL 8750, 1310 requirements

- Auto-reset; short circuit, overload and thermal protection
- Class 2 power supply
- Efficient, High power factor > 0.90

IN WALL MOUNTING OPTIONS



8.5 x 14 inch In-Wall Mounting Kit: Includes power supply, box cover and stud hangers for installing Junction Box in wall. Select "IW" in the options section of compatible power supply ordering codes if an In-Wall Mounting Kit is needed.

Ordering Codes: PSB-100W-24VDC-2XK-IW

PROJECT		FIXTURE TYPE		DATE	
---------	--	--------------	--	------	--

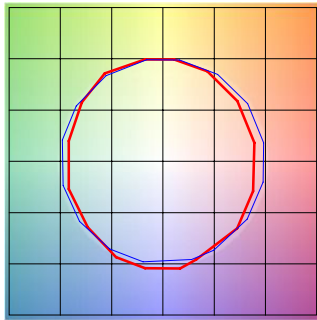
SUSPENSION TM30 DATA

DOWNLIGHT MODULAR, DYNAMIC TUNABLE WHITE 2K4K

TM-30-15 DATA: The data below is for SS2C, SS5C, SS7C and SS10C bare LED Soft Strips. Consistent color temperatures throughout a single strip and among multiple strips is possible through a 3 phase binning process in which each order is inspected with a color meter to ensure uniformity.

2000K ONLY (2K4K) | Rf: 84.3 | Rg: 96.9

Color Vector Graphic

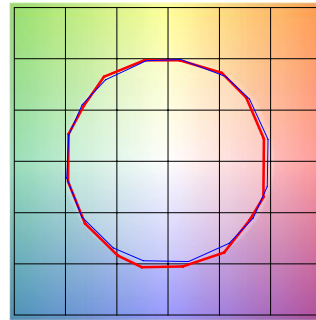


■ Test ■ Reference

HUE BIN	Rf	GRAPHIC SHIFTS %	
		CHROMA	HUE
1	80.3	-8.9%	1.7%
2	79.7	-7.0%	7.8%
3	78.9	-2.9%	10.0%
4	89.5	-0.5%	5.1%
5	94.4	0.7%	1.7%
6	92.1	2.4%	-0.3%
7	89.4	-2.4%	-5.9%
8	89.7	-6.4%	-0.2%
9	86.0	-4.9%	4.6%
10	81.8	-3.4%	9.3%
11	83.1	3.3%	9.7%
12	85.8	5.6%	3.3%
13	85.6	6.2%	-12.8%
14	61.7	-1.9%	-19.0%
15	79.7	-3.3%	-12.9%
16	78.1	-7.9%	-10.6%

3000K (2K4K) | Rf: 90.2 | Rg: 101.4

Color Vector Graphic

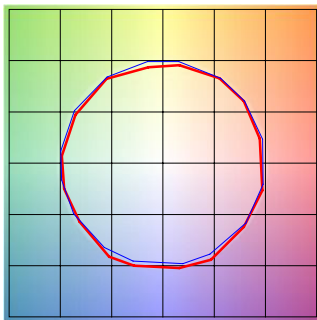


■ Test ■ Reference

HUE BIN	Rf	GRAPHIC SHIFTS %	
		CHROMA	HUE
1	90.9	-3.8%	1.3%
2	91.7	-1.9%	3.3%
3	88.7	0.7%	5.1%
4	92.4	-1.0%	0.7%
5	92.9	0.9%	1.7%
6	93.1	3.3%	-0.6%
7	91.0	-1.8%	-0.4%
8	97.0	0.2%	-1.1%
9	92.8	-0.5%	3.6%
10	88.3	1.0%	7.0%
11	87.1	3.8%	7.8%
12	87.6	6.5%	-0.3%
13	89.3	3.6%	-6.3%
14	86.1	4.5%	-9.1%
15	91.6	-1.9%	-3.1%
16	83.8	-1.5%	-11.2%

4000K ONLY (2K4K) | Rf: 89.6 | Rg: 99.1

Color Vector Graphic



■ Test ■ Reference

HUE BIN	Rf	GRAPHIC SHIFTS %	
		CHROMA	HUE
1	91.3	-2.5%	1.0%
2	95.3	-0.5%	0.5%
3	94.3	-0.7%	1.1%
4	91.1	-3.4%	-1.1%
5	89.5	-5.6%	0.0%
6	94.6	-1.4%	1.3%
7	93.2	-3.0%	2.6%
8	91.3	-1.8%	4.6%
9	86.5	-0.9%	9.1%
10	83.3	-0.5%	9.5%
11	83.3	4.9%	9.0%
12	89.7	4.1%	1.7%
13	90.1	3.6%	-4.3%
14	93.4	5.2%	-2.1%
15	87.4	0.4%	-4.3%
16	86.6	0.4%	-6.1%

PROJECT	FIXTURE TYPE	DATE
---------	--------------	------