

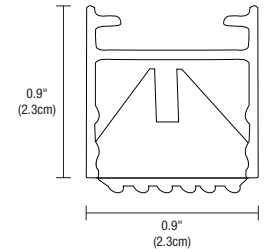
CIRRUS CEILING WALL WASH WITH REMOTE POWER

REV 12.05.18

DESIGNED BY GREGORY KAY | ASSEMBLED IN AMERICA



CIRRUS CEILING WALL WASH
(ACTUAL SIZE)



CIRRUS CEILING WALL WASH LENS
(ACTUAL SIZE)

DESCRIPTION

At 7.3 or 9.6 watts per foot, Cirrus Channel Wall Wash contains 85+ or 95+ CRI LEDs. Fixture mounts 24" from the wall, and includes a Split Canopy that mounts on Standard Junction Box or can be ordered with a Slim Profile Channel Junction Box (C-1RE-JBOX), 8' Whip and Left, Right, or Center Power Feed. Mounting Clips are provided every 18". Cirrus is powered by a Class 2, 100 watt up to 40' away. Available in 7.3 or 9.6 watts per foot, from 12"-288". May be ordered in 3", 5", 8" or 10" increments. For Chrome finish, lengths greater than 84" will ship as two or more segments that join together. For all other finishes, lengths greater than 120" will ship as two or more segments that join together. Fixtures include a 5 year warranty For custom designs and quotes, send drawings to design@PureEdgeLighting.com

Wattages for this fixture are available in the following options:

- 7W - 7.3 Watts per Foot, Lengths up to 288" (12')
- 10W - 9.6 Watts per Foot, Lengths up to 180" (10')

INSTALLATION

- Mounts to a Standard Junction Box, pre-wired from 120V/24VDC Remote Power Supply up to 200 Watts (sold separately) at maximum 40' away
- Includes your choice of Canopy: 1" Rectangle Junction Box or 4.6" Square Canopy, 8' Whip and Left, Right, or Center Power Feed
- Includes Mounting Clips
- Power Supply sold separately

FINISHES

Chrome, Satin Aluminum, Satin Nickel, White, Satin Brass, Antique Bronze, and Satin Black

LENSES

Diffused White Wall Wash

APPLICATIONS

Indoor - Kitchens, Dining Rooms, Conference Rooms, Offices, Architectural, General, and Retail

LAMPING

- Choose from 6 Color Temperatures
- 50,000 Hour Lamp Life

REMOTE POWER SUPPLIES*, DIMMERS & CONTROLS (SOLD SEPARATELY)

- Electronic Low Voltage Dimming (ELV): 100 Watt, Class 2
- 0-10 Volt Dimming (0-10V)
- Lutron Hi-lume®

*In-Wall Mounting Kits available for select power supplies
Dimmers not available through PureEdge Lighting

System	Wattage Per Foot	Canopy	Nominal Size	Color Temperature	Finish
CCWL Cirrus Ceiling Wall Wash Left Power Feed	7W 7.3 Watts (288" max, 12')	1R 1" Rectangle Canopy	288	22K	SN
CCWR Cirrus Ceiling Wall Wash Right Power Feed	10W 9.6 Watts (180" max, 10')	4S 4.6" Square Split Canopy	12-288 Order in various increments from 12"-288" (Maximum shipping length). Maximum shipping length for Chrome is 84". <small>*See length chart for exact dimensions</small>	22K 2200K Candle White 27K 2700K Incandescent White 30K 3000K Warm White 35K 3500K Neutral White 40K 4000K Cool White 57K 5700K Daylight White	BK Satin Black BZ Antique Bronze CH Chrome SA Satin Aluminum SB Satin Brass* SN Satin Nickel WH White

*Includes Black End Caps, Wires, and Canopy.

PROJECT		FIXTURE TYPE		DATE	
---------	--	--------------	--	------	--

CIRRUS CEILING WALL WASH WITH REMOTE POWER

REV 12.05.18 DESIGNED BY GREGORY KAY | ASSEMBLED IN AMERICA

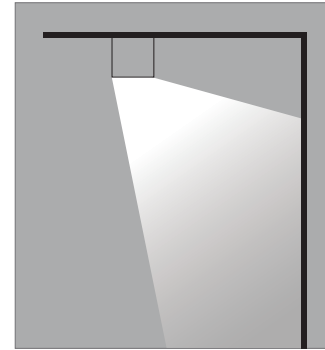
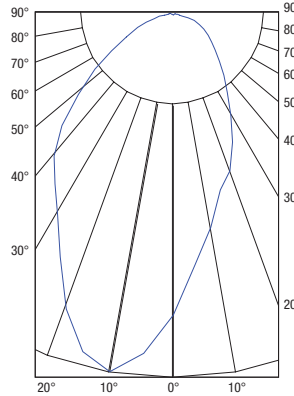
LAMP DATA Lamp Data for Cirrus Ceiling Wall Wash

CCWL, CCWR														
DESCRIPTION	CIRRUS WALL WASH LENS													
	7W (7.3 watts)						10W (9.6 watts)							
WATTS PER FOOT														
COLOR TEMPERATURE	22K	27K	30K	35K	40K	57K	22K	27K	27D	30K	27D	35K	40K	57K
LUMENS PER FOOT (lm/ft)	272	332	362	415	451	480	321	392	428	490	533	567	380	405
LUMENS PER WATT (lm/w)	37	45	50	57	62	66	33	41	45	51	56	59	86	92
CRI	85+	95+	95+	85+	84	84	85+	95+	95+	85+	84	84	84	84

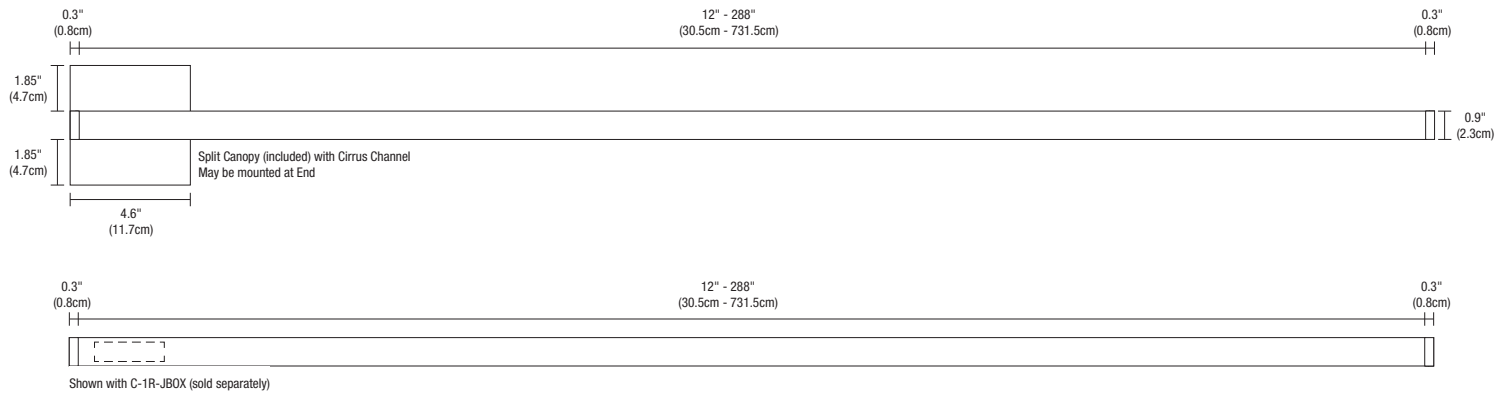
FIXTURE MOUNTED 24" FROM WALL

2'	25	25	25	25	25	25
3'	28	28	28	28	28	28
4'	22	22	22	22	22	22
5'	15	15	15	15	15	15
6'	11	11	11	11	11	11
7'	9	9	9	9	9	9
8'	5	5	5	5	5	5

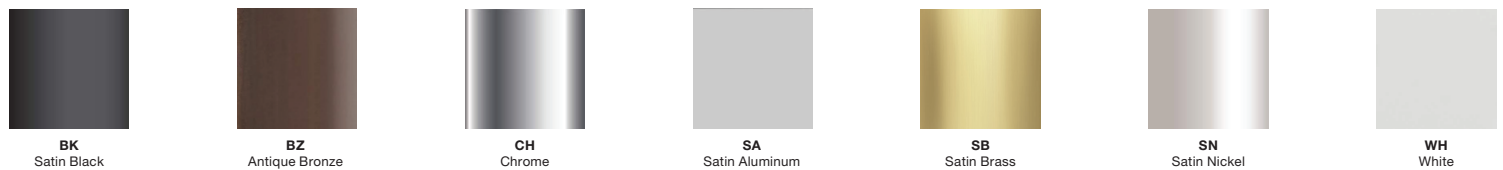
CANDLE POWER DISTRIBUTION



DRAWINGS Canopy & Channel Drawings for Cirrus Ceiling Wall Wash



FINISHES The finishes available for Cirrus Ceiling Wall Wash

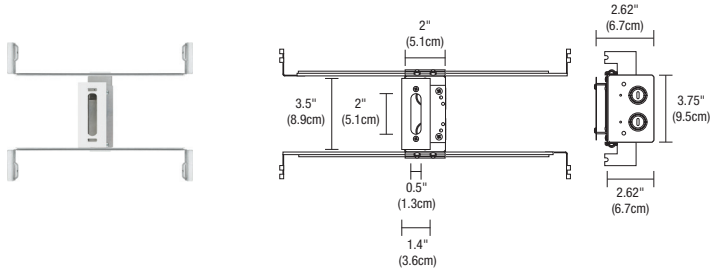


PROJECT		FIXTURE TYPE		DATE	
---------	--	--------------	--	------	--

CIRRUS CEILING WALL WASH WITH REMOTE POWER

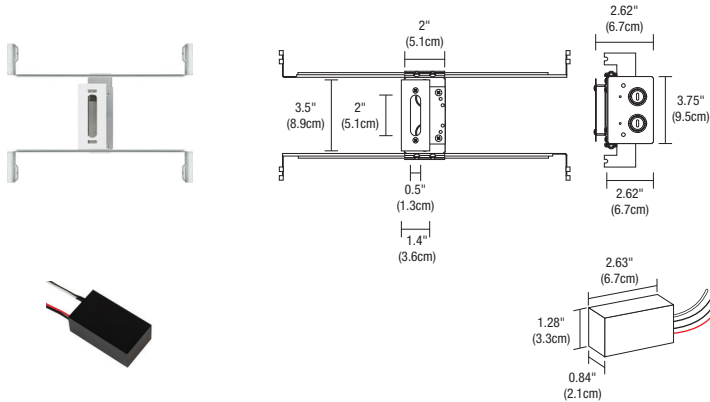
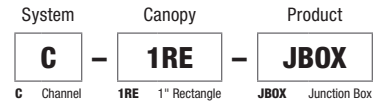
REV 12.05.18 DESIGNED BY GREGORY KAY | ASSEMBLED IN AMERICA

COMPONENTS J-box, Split Canopies, & Mounting Clips are included and sold separately for replacement



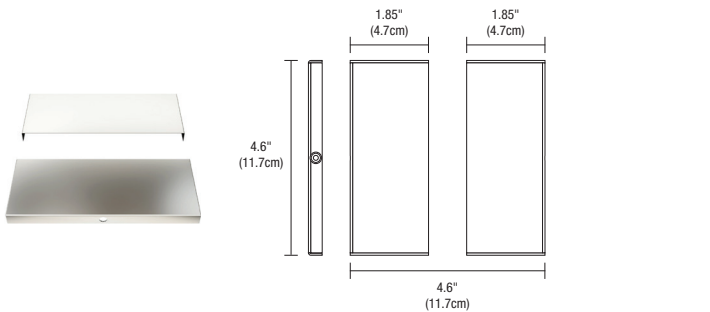
1" RECTANGLE CANOPY & J-BOX (INCLUDED WITH 1R SELECTED IN FIXTURE ORDERING CODE)

The Slim-Profile Junction Box with Hanger Bars mounts to studs spaced between 14.5" and 25" apart behind drywall. Allows low voltage DC wires from Remote Power Supply to connect to channel wires. The Junction Box opening is covered by the fixture for a clean, safe connection. Includes a Goof Plate, for poor plastering around J-box.



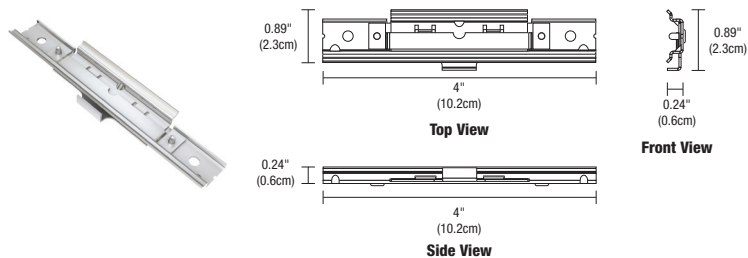
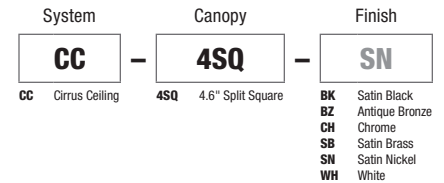
1" RECTANGLE CANOPY & J-BOX WITH 50W POWER SUPPLY (ORDER SEPARATELY)

The Slim-Profile Junction Box with Hanger Bars mounts to studs spaced between 14.5" and 25" apart behind drywall. Allows low voltage DC wires from included power supply to connect to channel wires. The Junction Box opening is covered by the fixture for a clean, safe connection. Rated 60 watts for Non-Insulated Ceiling or Wall Power Supply. Rated 50 watts for Insulated Ceiling. Includes a Goof Plate, for poor plastering around J-box.



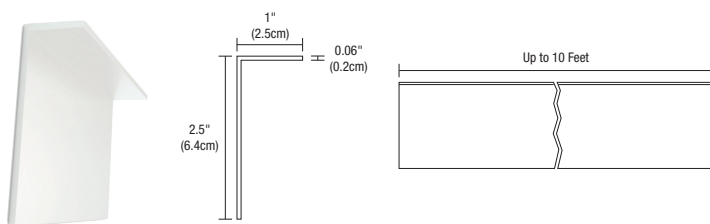
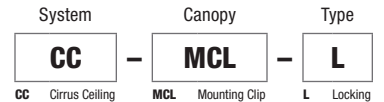
4" SQUARE SPLIT CANOPY (INCLUDED WITH 4S SELECTED IN FIXTURE ORDERING CODE)

The 4" Square Canopy fits on a standard 4" electrical box with round plaster ring. It fits flush along channel while covering Junction Box. The Canopy may float anywhere along the channel and comes in three finishes.



CEILING MOUNTING LOCKING CLIP (INCLUDED)

Ceiling Mounting Locking Clips are provided with every 2' of Cirrus Channel and may be ordered separately as replacement parts. The channel slides into the clip and locks in place staying securely fastened to the ceiling.



L-SHIELD

The Channel L-Shield mounts to the ceiling along the Cirrus Wall Wash or Cirrus Wall Grazer fixtures (with C-1RE-JBOX only) to shield light brightness from view.



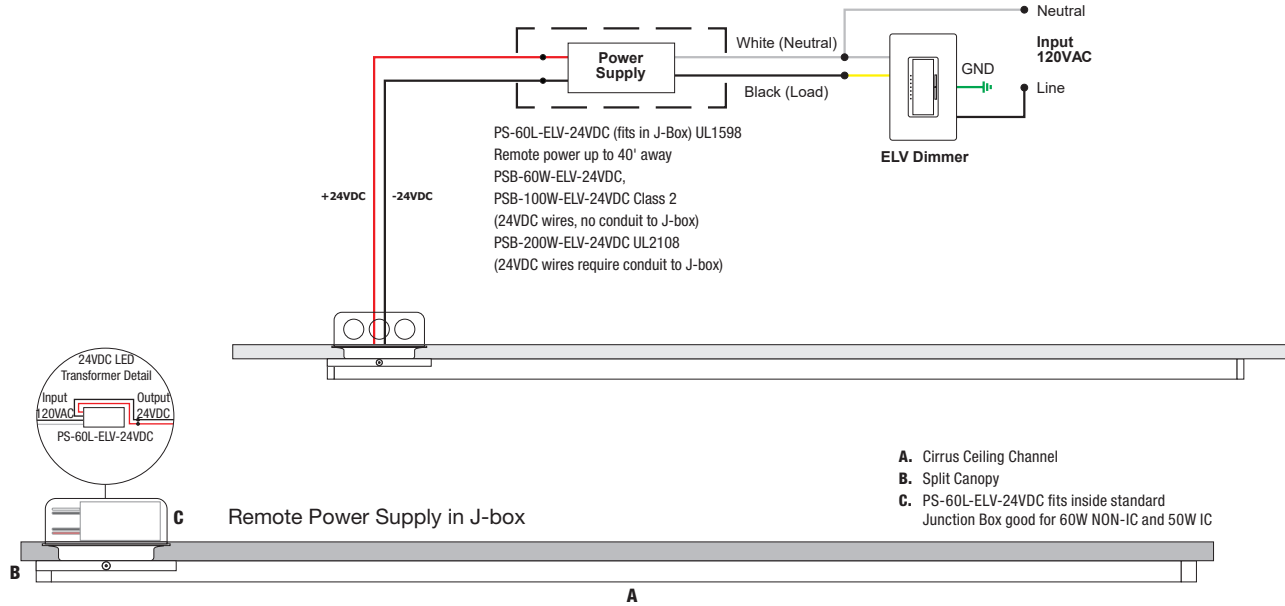
PROJECT	FIXTURE TYPE	DATE
---------	--------------	------

CIRRUS CEILING WALL WASH WITH REMOTE POWER

REV 12.05.18 DESIGNED BY GREGORY KAY | ASSEMBLED IN AMERICA

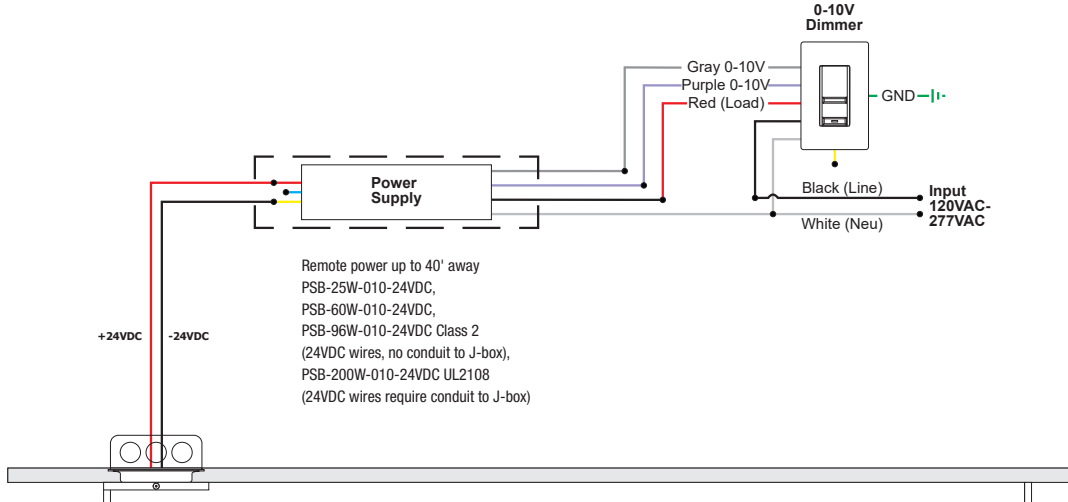
WIRING DIAGRAM Wiring Diagram for Static White with ELV Dimmer

- APPLICATION** ELV dimming for Cirrus Ceiling Wall Wash, Static White
- REMOTE POWER SUPPLY** Class 2: 24VDC output; 120VAC input | PS-60L-ELV-24VDC (fits in J-box) | PSB-60W-ELV-24VDC PSB-100W-ELV-24VDC | PSB-200W-ELV-24VDC UL2108
- DIMMING** Dimmable with ELV dimmer: Legrand, Adorne ADTP703TU
Lutron: Diva DVELV-300P, Skylark SELVz-300P, Maestro MAELV-600 and Radio Ra 2



WIRING DIAGRAM Wiring Diagram for Static White with 0-10V Dimmer

- APPLICATION** 0-10V dimming for Cirrus Ceiling Wall Wash, Static White
- REMOTE POWER SUPPLY** Class 2: 24VDC output; 120/277VAC input | PSB-60W-010-24VDC | PSB-100W-010-24VDC PSB-200W-3LV010-24VDC UL2108
- DIMMING** Dimmable with 0-10V dimmer: Philips: Sunrise SR1200ZTUNV; Lutron: Diva DVTV-WH, Nova-T NTSTV-DV-XX, Grafix Eye QS QSGRJ-XP, Radio RA2 RRD-1-ND; Leviton: LEV40050, IP710-LFZ; Legrand ADPD4FBL3P2W4



PROJECT	Remote Power Supply in J-box	FIXTURE TYPE		DATE	
---------	------------------------------	--------------	--	------	--

CIRRUS CEILING WALL WASH WITH REMOTE POWER

REV 12.05.18

DESIGNED BY GREGORY KAY | ASSEMBLED IN AMERICA

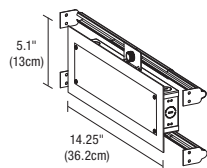
REQUIRED COMPONENTS 24VDC ELV Compatible Power Supplies

ELECTRONIC LOW-VOLTAGE (ELV) POWER SUPPLIES & RECOMMENDED DIMMERS [†]				
ORDERING CODE	PS-60L-ELV-24VDC	PSB-60W-ELV-24VDC	PSB-2X60W-ELV-24VDC	PSB-100W-ELV-24VDC
SPECIFICATIONS				
MAXIMUM LOAD	60W NON-IC, 50W-IC (FITS IN J-BOX)	60W	2X60W	96W
INPUT VOLTAGE	120VAC	120VAC	120VAC	120VAC
OUTPUT VOLTAGE	24VDC	24VDC	24VDC	24VDC
DIMENSIONS	2.25" X 1.25" X 0.83"	8.125" X 2" X 1.75"	12.15" X 6.48" X 2.18"	9.25" X 3.5" X 2"
CLASSIFICATION	CLASS 2	CLASS 2	CLASS 2	CLASS 2
IN-WALL MOUNTING	N/A	PSB-60W-ELV-24VDC-IW	PSB-2X60W-ELV-24VDC-IW	PSB-100W-ELV-24VDC-IW
DIMMING & CONTROLS				
LUTRON DIVA: DVELV-300P	•	•	•	•
LUTRON SKYLARK: SELV-300P	•	•	•	•
LUTRON RADIO RA2: RRD-6NA	N/A	•	•	•
LUTRON MAESTRO: MAELV-600	•	•	•	•
LEGRAND ADORNE: ADTP-703TUM4	N/A	•	•	•

ELECTRONIC LOW-VOLTAGE (ELV) POWER SUPPLIES & RECOMMENDED DIMMERS [†]					
ORDERING CODE	PSB-2X100W-ELV-24VDC	PSB-3X100W-ELV-24VDC	PSB-4X100W-ELV-24VDC	PSB-200W-ELV-24VDC	PSB-2X200W-ELV-24VDC
SPECIFICATIONS					
MAXIMUM LOAD	2X96W	3X96W	4X96W	200W	2X200W
INPUT VOLTAGE	120VAC	120VAC	120VAC	120VAC	120VAC
OUTPUT VOLTAGE	24VDC	24VDC	24VDC	24VDC	24VDC
DIMENSIONS	12.15" X 6.48" X 2.18"	14" X 10" X 3"	17" X 13" X 3"	12.15" X 6.48" X 2.18"	14" X 10" X 3"
CLASSIFICATION	CLASS 2	CLASS 2	CLASS 2	UL1598*	UL1598*
IN-WALL MOUNTING	PSB-2X100W-ELV-24VDC-IW	N/A	N/A	PSB-200W-ELV-24VDC-IW	N/A
DIMMING & CONTROLS					
LUTRON DIVA: DVELV-300P	•	•	•	•	•
LUTRON SKYLARK: SELV-300P	•	•	•	•	•
LUTRON RADIO RA2: RRD-6NA	•	•	•	•	•
LUTRON MAESTRO: MAELV-600	•	•	•	•	•
LEGRAND ADORNE: ADTP-703TUM4	•	•	•	•	•

[†] 2400K-5700K Color Temperatures are compatible with 0-10V, ELV, and Lutron Hi-Lume® Power Supplies.

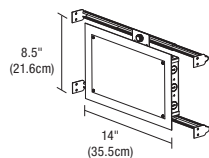
Classification: UL2108 - * 24VDC over 100 Watts, wires must be in conduit from Remote Power Supply to Junction Box in ceiling.



5.1" X 14.25" IN-WALL MOUNTING KIT

Includes Power Supply, Box Cover, and Stud Hangers for installing Junction Box in wall. Select "IW" in the options section of compatible Power Supply ordering codes if an In-Wall Mounting Kit is needed.

ORDERING CODES: PSB-60W-ELV-24VDC-IW, PSB-100W-ELV-24VDC-IW



8.5" X 14" IN-WALL MOUNTING KIT

Includes Power Supply, Box Cover, and Stud Hangers for installing Junction Box in wall. Select "IW" in the options section of compatible Power Supply ordering codes if an In-Wall Mounting Kit is needed.

ORDERING CODES: PSB-2X60W-ELV-24VDC-IW, PSB-2X100W-ELV-24VDC-IW, PSB-200W-ELV-24VDC-IW

PROJECT		FIXTURE TYPE		DATE	
---------	--	--------------	--	------	--

CIRRUS CEILING WALL WASH WITH REMOTE POWER

REV 12.05.18

DESIGNED BY GREGORY KAY | ASSEMBLED IN AMERICA

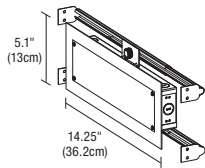
REQUIRED COMPONENTS 24VDC 0-10V Compatible Power Supplies

0-10 VOLT (010) POWER SUPPLIES & RECOMMENDED DIMMERS†				
ORDERING CODE	PSB-25W-010-24VDC	PSB-60W-010-24VDC	PSB-96W-010-24VDC	PSB-2X96W-010-24VDC
SPECIFICATIONS				
MAXIMUM LOAD	25W	60W	96W	2X96W
INPUT VOLTAGE	120VAC	120-277VAC	120-277VAC	120-277VAC
OUTPUT VOLTAGE	24VDC	24VDC	24VDC	24VDC
DIMENSIONS	12.4" X 3.12" X 2.18"	12.4" X 3.12" X 2.18"	12.4" X 3.12" X 2.18"	12.15" X 6.48" X 2.18"
CLASSIFICATION	CLASS 2	CLASS 2	CLASS 2	CLASS 2
IN-WALL MOUNTING	PSB-25W-010-24VDC-IW	PSB-60W-010-24VDC-IW	PSB-96W-010-24VDC-IW	PSB-2X96W-010-24VDC-IW
DIMMING & CONTROLS				
PHILIPS SUNRISE: SR1200ZTUNV	•	•	•	•
LUTRON DIVA: DVTV-WH	•	•	•	•
LUTRON NOVA T: NTSTV-DV-XX	•	•	•	•
LUTRON GRAFIX EYE QS: QSGRJ-XP	•	•	•	•
LUTRON RADIO RA2: RRD-10ND	•	•	•	•
LEVITON: LEV40050	•	•	•	•
LEVITON IP710-LFZ	•	•	•	•
LEGRAND: ADPD4FBL3P2W4	•	•	•	•

0-10 VOLT (010) POWER SUPPLIES & RECOMMENDED DIMMERS†				
ORDERING CODE	PSB-3X96W-010-24VDC	PSB-4X96W-010-24VDC	PSB-200W-010-24VDC	PSB-2X200W-010-24VDC
SPECIFICATIONS				
MAXIMUM LOAD	3X96W	4X96W	200W	2X200W
INPUT VOLTAGE	120-277VAC	120-277VAC	120VAC	120VAC
OUTPUT VOLTAGE	24VDC	24VDC	24VDC	24VDC
DIMENSIONS	14" X 10" X 3"	17" X 13" X 3"	12.15" X 6.48" X 2.18"	14" X 10" X 3"
CLASSIFICATION	CLASS 2	CLASS 2	UL1598*	UL1598*
IN-WALL MOUNTING	N/A	N/A	PSB-200W-010-24VDC-IW	N/A
DIMMING & CONTROLS				
PHILIPS SUNRISE: SR1200ZTUNV	•	•	•	•
LUTRON DIVA: DVTV-WH	•	•	•	•
LUTRON NOVA T: NTSTV-DV-XX	•	•	•	•
LUTRON GRAFIX EYE QS: QSGRJ-XP	•	•	•	•
LUTRON RADIO RA2: RRD-10ND	•	•	•	•
LEVITON: LEV40050	•	•	•	•
LEVITON IP710-LFZ	•	•	•	•
LEGRAND: ADPD4FBL3P2W4	•	•	•	•

† 2400K-5700K Color Temperatures are compatible with 0-10V, ELV, and Lutron Hi-Lume® Power Supplies.

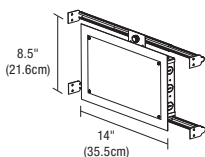
Classification: UL2108 - * 24VDC over 100 Watts, wires must be in conduit from Remote Power Supply to Junction Box in ceiling.



5.1" X 14.25" IN-WALL MOUNTING KIT

Includes Power Supply, Box Cover, and Stud Hangers for installing Junction Box in wall. Select "IW" in the options section of compatible Power Supply ordering codes if an In-Wall Mounting Kit is needed.

ORDERING CODES: PSB-25W-010-24VDC-IW, PSB-60W-010-24VDC-IW, PSB-96W-010-24VDC-IW



8.5" X 14" IN-WALL MOUNTING KIT

Includes Power Supply, Box Cover, and Stud Hangers for installing Junction Box in wall. Select "IW" in the options section of compatible Power Supply ordering codes if an In-Wall Mounting Kit is needed.

ORDERING CODES: PSB-2X96W-010-24VDC-IW, PSB-200W-010-24VDC-IW

PROJECT		FIXTURE TYPE		DATE	
---------	--	--------------	--	------	--




CIRRUS CEILING WALL WASH WITH REMOTE POWER

REV 12.05.18

DESIGNED BY GREGORY KAY | ASSEMBLED IN AMERICA

REQUIRED COMPONENTS 24VDC Lutron Compatible Power Supply

LUTRON HI-LUME® PREMIER .1% ECOSYSTEM® 3-WIRE POWER SUPPLY & RECOMMENDED CONTROLLERS†

ORDERING CODE	<p style="text-align: center;">L3D0-96W24V-U</p> 
SPECIFICATIONS	
MAXIMUM LOAD	96W
INPUT VOLTAGE	120-277VAC
OUTPUT VOLTAGE	24VDC
DIMENSIONS	10.5" X 5.5" X 2"
CLASSIFICATION	CLASS 2
DIMMING & CONTROLS	
RADIO RA2	•
HOMEWORKS QS	•
PHPM-3F-120	•
PHPM-3F-DV	•
BCI-0-10	•

† 2400K-5700K Color Temperatures are compatible with 0-10V, ELV, and Lutron Hi-Lume® Power Supplies.

PROJECT		FIXTURE TYPE		DATE	
---------	--	--------------	--	------	--



CIRRUS CEILING WALL WASH WITH REMOTE POWER

REV 12.05.18 DESIGNED BY GREGORY KAY | ASSEMBLED IN AMERICA

LENGTH CHART Actual lengths for Cirrus Ceiling Wall Wash

22K, 27K, 30K, 35K, 40K, & 57K					
Ordering Code (Nominal Size)	Actual Length (Inches)	Actual Length (Chrome)	Ordering Code (Nominal Size)	Actual Length (Inches)	Actual Length (Chrome)
12	13.1	13.1	80	80.3	80.3
15	15.5	15.5	82	82.7	82.7
17	17.9	17.9	84	85.1	85.1
20	20.3	20.3	87	87.5	87.6
22	22.7	22.7	89	89.9	90.0
24	25.1	25.1	92	92.3	92.4
27	27.5	27.5	94	94.7	94.8
29	29.9	29.9	96	97.1	97.2
32	32.3	32.3	99	99.5	99.6
34	34.7	34.7	101	101.9	102.0
36	37.1	37.1	104	104.3	104.4
39	39.5	39.5	106	106.7	106.8
41	41.9	41.9	108	109.1	109.2
44	44.3	44.3	111	111.5	111.6
46	46.7	46.7	113	113.9	114.0
48	49.1	49.1	116	116.3	116.4
51	51.5	51.5	118	118.7	118.8
53	53.9	53.9	120	121.1	121.2
56	56.3	56.3	123	123.6	123.6
58	58.7	58.7	125	126.0	126.0
60	61.1	61.1	128	128.4	128.4
63	63.5	63.5	130	130.8	130.8
65	65.9	65.9	132	133.2	133.2
68	68.3	68.3	135	135.6	135.6
70	70.7	70.7	137	138.0	138.0
72	73.1	73.1	140	140.4	140.4
75	75.5	75.5	142	142.8	142.8
77	77.9	77.9	144	145.2	145.2

PROJECT		FIXTURE TYPE		DATE	
---------	--	--------------	--	------	--

CIRRUS CEILING WALL WASH WITH REMOTE POWER

REV 12.05.18

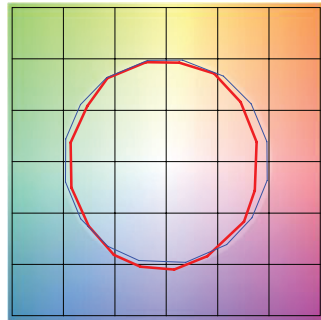
DESIGNED BY GREGORY KAY | ASSEMBLED IN AMERICA

TM-30-15 DATA

The data below is for SS2C, SS5C, SS7C, and SS10C bare LED Soft Strips. Consistent color temperatures throughout a single strip and among multiple strips is possible through a 3 phase binning process in which each order is inspected with a color meter to ensure uniformity.

2200K | Rf: 83.9 | Rg: 94.9

Color Vector Graphic

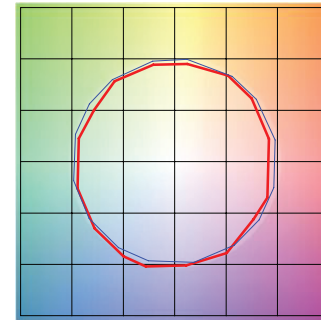


■ Test ■ Reference

HUE BIN	Rf	GRAPHIC SHIFTS %	
		CHROMA	HUE
1	77.6	-10.0%	1.8%
2	80.7	-7.5%	7.0%
3	79.5	-2.9%	8.9%
4	90.5	-3.1%	2.4%
5	93.9	-1.3%	1.9%
6	91.9	-0.9%	-0.2%
7	87.6	-6.3%	-2.7%
8	90.5	-5.4%	2.7%
9	83.8	-4.7%	6.5%
10	81.2	-2.5%	10.0%
11	83.3	3.9%	9.4%
12	86.4	5.6%	2.6%
13	86.2	4.5%	-12.4%
14	64.3	-1.0%	-21.9%
15	85.1	-4.4%	-7.5%
16	75.0	-9.9%	-12.0%

2700K | Rf: 87.7 | Rg: 96.1

Color Vector Graphic

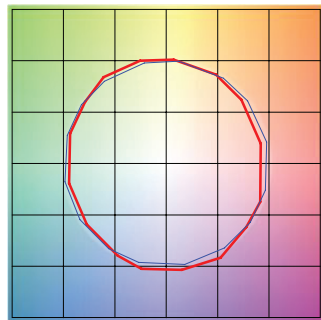


■ Test ■ Reference

HUE BIN	Rf	GRAPHIC SHIFTS %	
		CHROMA	HUE
1	86.4	-5.6%	2.3%
2	89.7	-3.3%	3.1%
3	90.5	-1.5%	3.8%
4	90.0	-4.3%	1.1%
5	92.9	-3.7%	0.2%
6	93.5	-2.5%	-0.8%
7	86.3	-7.2%	2.5%
8	90.7	-4.0%	3.2%
9	85.2	-2.4%	8.1%
10	81.7	0.9%	10.8%
11	85.4	4.5%	8.9%
12	88.7	5.7%	-1.4%
13	88.3	1.3%	-7.9%
14	85.1	2.4%	-10.4%
15	88.1	-4.8%	-2.7%
16	81.7	-4.3%	-10.9%

3000K | Rf: 88.1 | Rg: 99.7

Color Vector Graphic

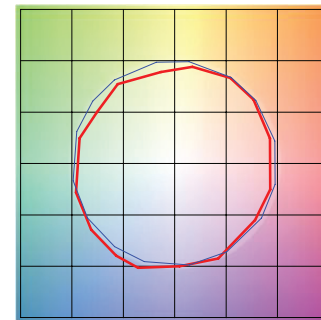


■ Test ■ Reference

HUE BIN	Rf	GRAPHIC SHIFTS %	
		CHROMA	HUE
1	87.7	-5.9%	-0.3%
2	87.9	-4.4%	4.3%
3	82.9	-1.2%	7.9%
4	89.9	0.6%	4.7%
5	92.7	3.0%	3.5%
6	92.7	3.6%	-1.7%
7	90.8	-1.3%	-4.4%
8	93.7	-2.5%	-2.2%
9	91.7	-3.7%	2.3%
10	85.5	-2.8%	7.8%
11	83.3	0.7%	11.0%
12	86.4	5.5%	3.8%
13	90.6	4.6%	-3.6%
14	85.6	5.9%	-8.4%
15	89.5	-0.6%	-5.7%
16	82.6	-2.7%	-12.0%

3500K | Rf: 86.1 | Rg: 95.5

Color Vector Graphic

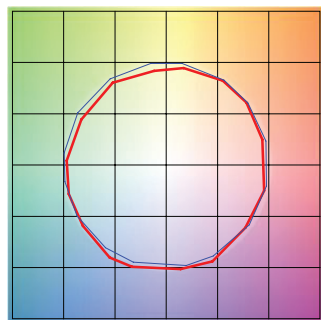


■ Test ■ Reference

HUE BIN	Rf	GRAPHIC SHIFTS %	
		CHROMA	HUE
1	86.6	-4.2%	3.4%
2	91.7	-1.4%	1.8%
3	94.9	-0.7%	0.4%
4	87.9	-4.5%	-4.1%
5	85.9	-10.3%	-2.7%
6	89.8	-5.2%	-0.4%
7	79.6	-9.5%	6.5%
8	87.6	-4.0%	5.7%
9	81.4	-0.5%	11.8%
10	78.3	3.3%	11.4%
11	85.7	6.3%	6.1%
12	86.3	7.1%	-4.6%
13	86.1	-0.7%	-9.6%
14	85.1	0.8%	-10.4%
15	83.4	-4.1%	-5.3%
16	82.5	-3.6%	-5.7%

4000K | Rf: 87.6 | Rg: 96.8

Color Vector Graphic

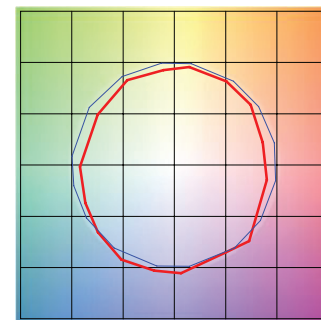


■ Test ■ Reference

HUE BIN	Rf	GRAPHIC SHIFTS %	
		CHROMA	HUE
1	89.0	-3.1%	2.1%
2	93.2	-0.9%	1.3%
3	94.3	-1.1%	0.7%
4	89.5	-4.0%	-2.3%
5	87.6	-7.8%	-1.8%
6	92.2	-4.6%	0.1%
7	87.4	-6.6%	3.6%
8	85.7	-3.8%	7.0%
9	81.5	-1.3%	12.4%
10	80.0	0.9%	11.4%
11	83.3	5.9%	8.7%
12	89.7	4.8%	-0.3%
13	88.5	2.4%	-6.3%
14	92.7	4.0%	-3.8%
15	86.1	-1.6%	-4.5%
16	85.0	-1.4%	-5.0%

5700K | Rf: 80.3 | Rg: 91.5

Color Vector Graphic



■ Test ■ Reference

HUE BIN	Rf	GRAPHIC SHIFTS %	
		CHROMA	HUE
1	73.8	-11.2%	2.6%
2	83.7	-5.5%	5.8%
3	84.2	-4.0%	5.5%
4	85.8	-3.5%	1.3%
5	85.3	-7.1%	0.6%
6	89.2	-5.8%	-2.2%
7	81.5	-10.7%	1.2%
8	75.7	-9.7%	8.5%
9	74.9	-7.8%	18.8%
10	67.8	-1.6%	18.0%
11	76.1	5.5%	12.0%
12	90.8	4.9%	-1.6%
13	83.6	5.0%	-9.5%
14	81.7	-1.2%	-10.0%
15	69.0	2.0%	-22.8%
16	83.2	-8.5%	-1.0%

PROJECT	FIXTURE TYPE	DATE
---------	--------------	------